



US00D441824S

(12) **United States Design Patent**
Evans

(10) **Patent No.:** **US D441,824 S**

(45) **Date of Patent:** **** May 8, 2001**

(54) **INDEPENDENTLY MOVABLE FOIL SWIM FIN**

Primary Examiner—Kay H. Chin
(74) *Attorney, Agent, or Firm*—Cislo & Thomas LLP

(76) **Inventor:** **Robert B. Evans**, 715 Kimbal Ave.,
Santa Barbara, CA (US) 93103

(57) **CLAIM**

(**) **Term:** **14 Years**

The ornamental design for an independently movable foil swim fin, as shown and described.

(21) **Appl. No.:** **29/125,458**

DESCRIPTION

(22) **Filed:** **Jun. 23, 2000**

Related U.S. Application Data

(62) Division of application No. 29/102,484, filed on Mar. 25, 1999.

(51) **LOC (7) Cl.** **21-01**

(52) **U.S. Cl.** **D21/806**

(58) **Field of Search** D21/801, 803,
D21/806, 807, 808; 441/61-64

FIG. 1 is a top perspective view of an independently movable foil swim fin showing my new design;
FIG. 2 is a right side elevational view thereof, the left side elevational view being a mirror image of that shown;
FIG. 3 is a front elevational view thereof;
FIG. 4 is a rear elevational view thereof;
FIG. 5 is a top plan view thereof;
FIG. 6 is a bottom plan view thereof;
FIG. 7 is a top perspective view of a second embodiment of the independently movable foil swim fin;
FIG. 8 is a right side elevational view of FIG. 7, the left side elevational view being a mirror image of that shown;
FIG. 9 is a front elevational view of FIG. 7;
FIG. 10 is a rear elevational view of FIG. 7;
FIG. 11 is a top plan view of FIG. 7; and,
FIG. 12 is a bottom plan view of FIG. 7.

(56) **References Cited**

U.S. PATENT DOCUMENTS

- D. 404,456 * 1/1999 Evans D21/806
- D. 426,865 * 6/2000 Evans D21/806
- D. 430,637 * 9/2000 Evans D21/806

* cited by examiner

1 Claim, 4 Drawing Sheets

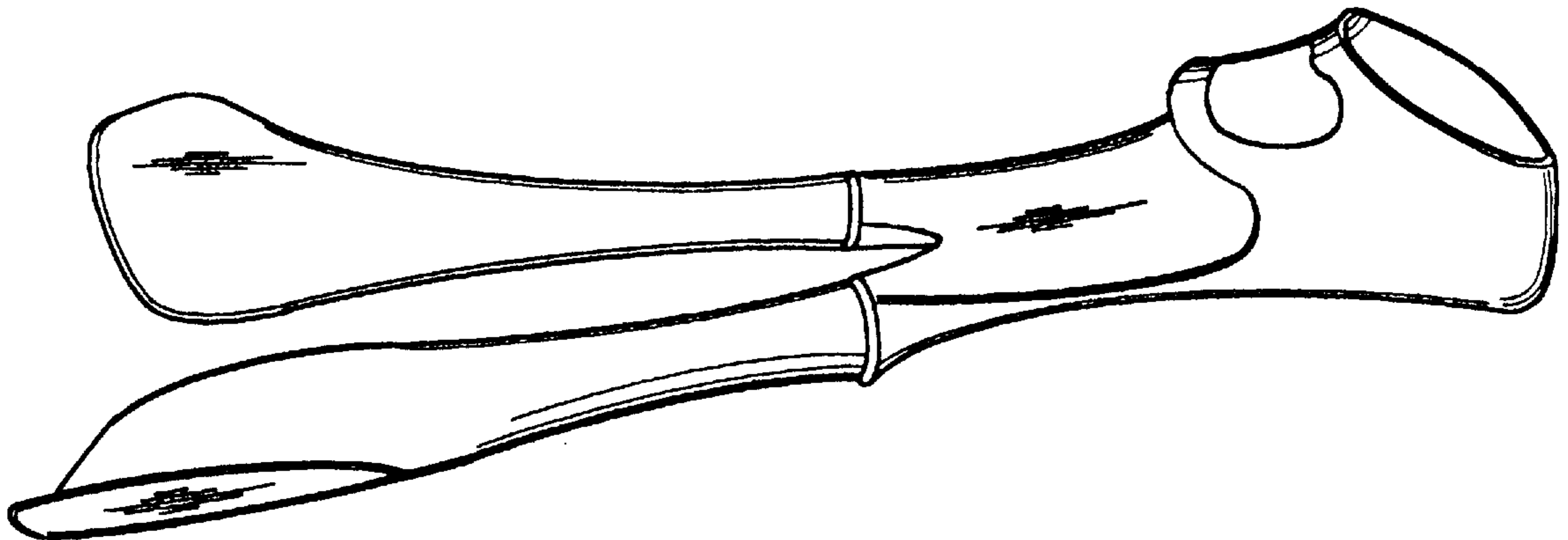


Fig. 1.

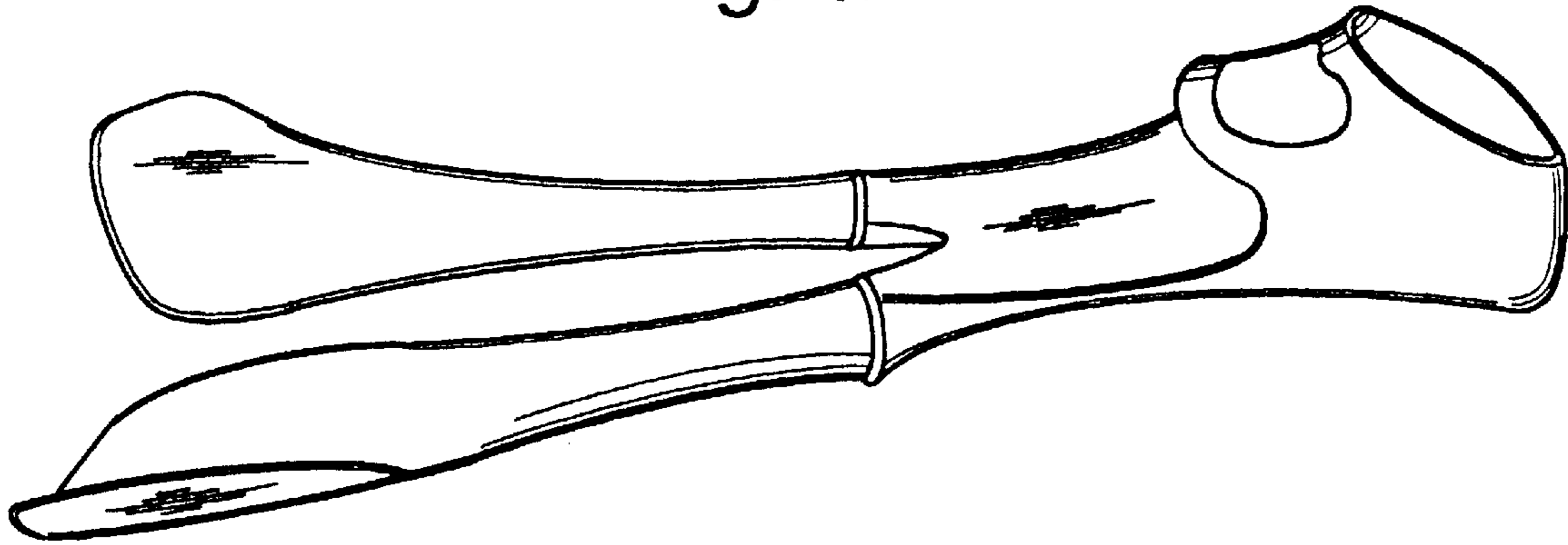


Fig. 2.

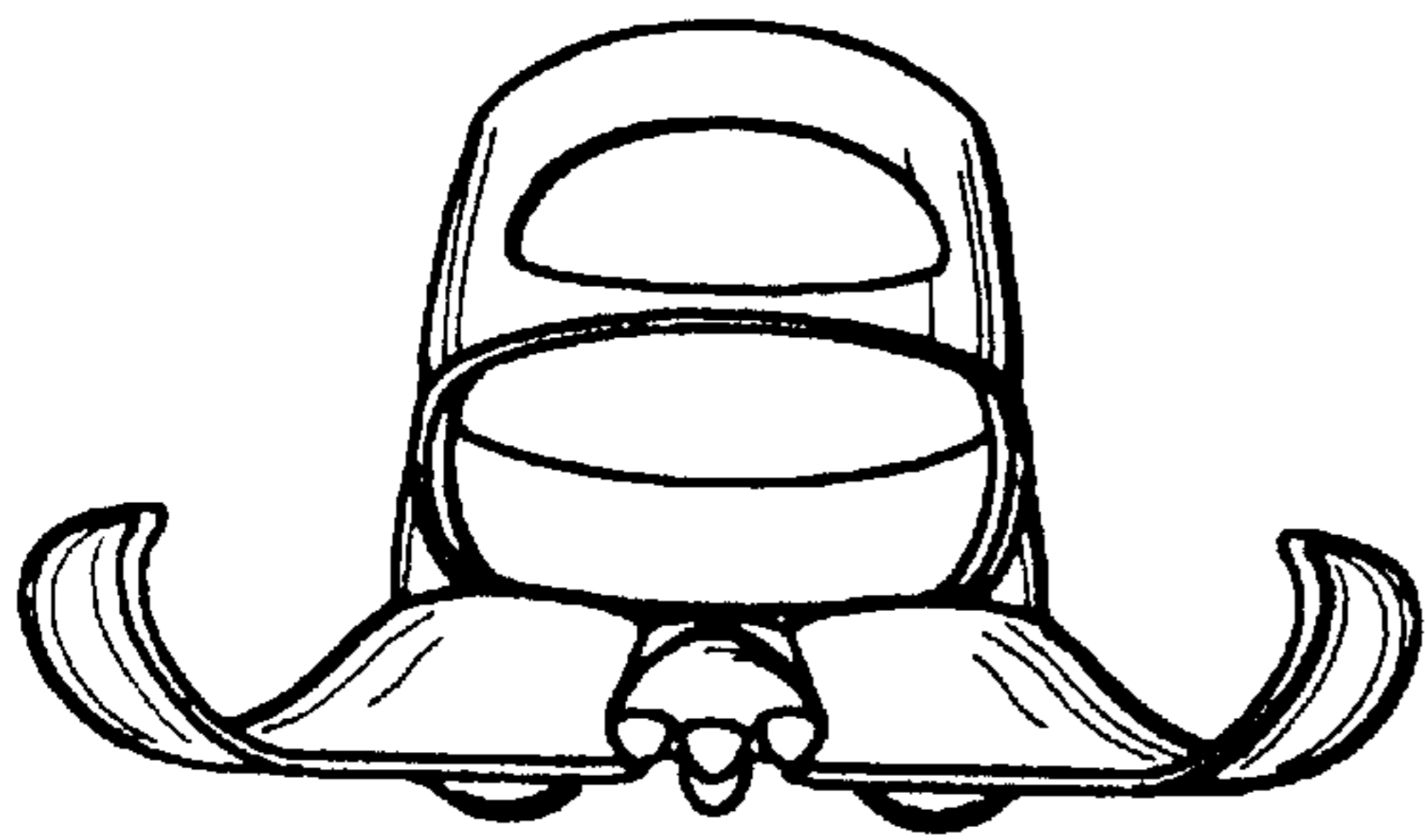
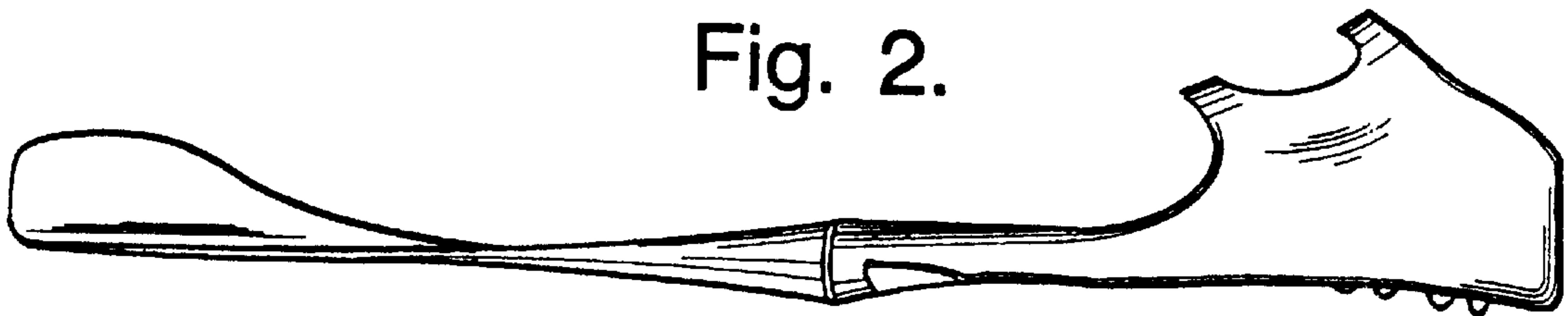


Fig. 3.

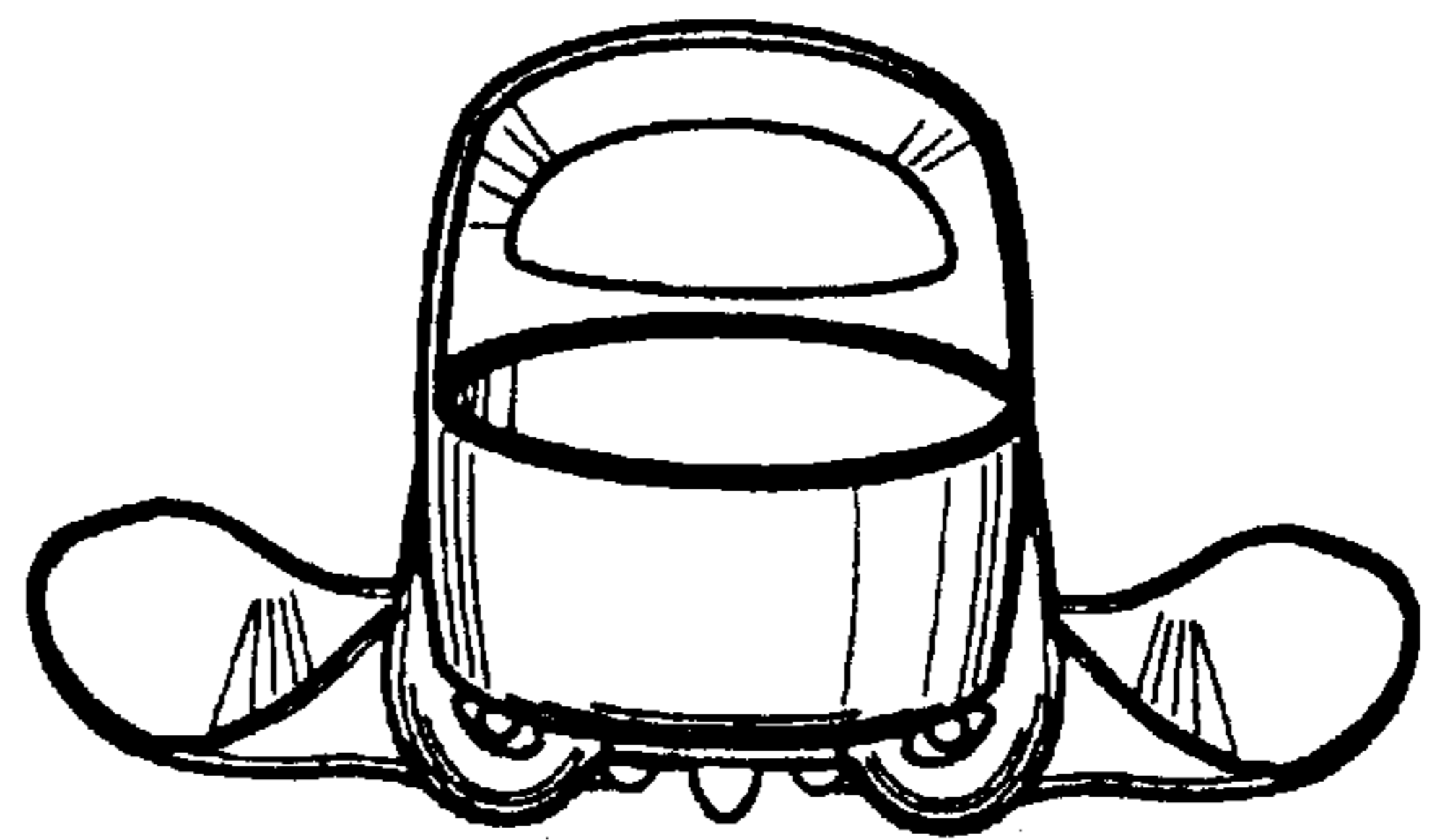


Fig. 4.

Fig. 5.

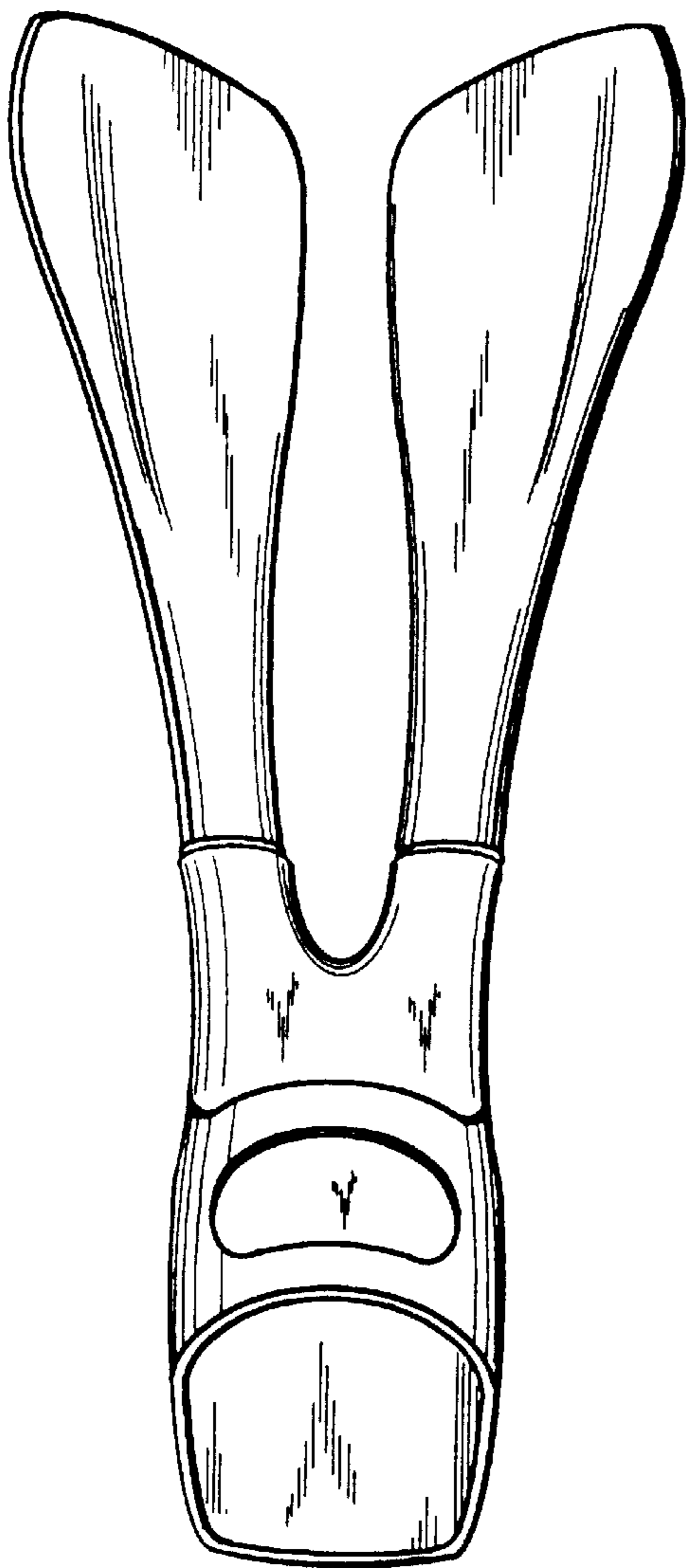


Fig. 6.

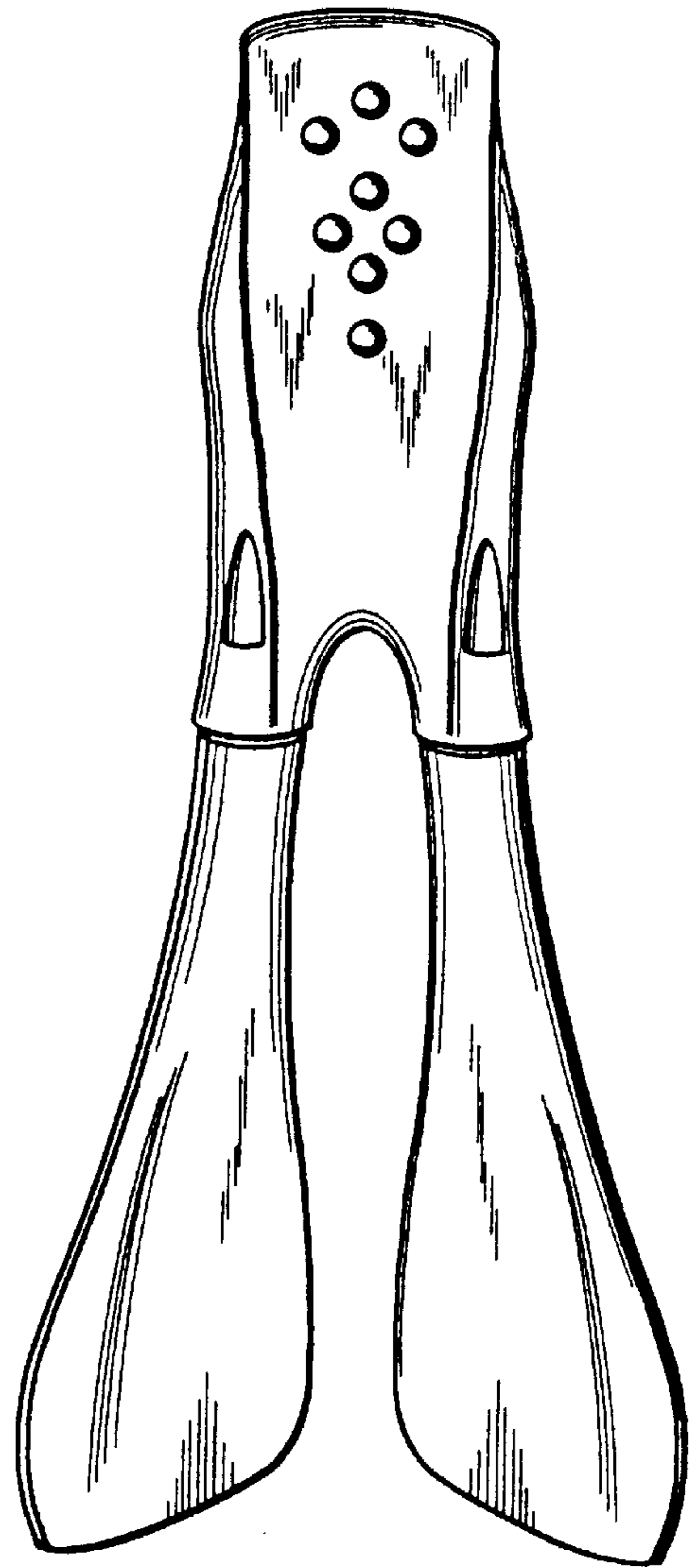


Fig. 7.

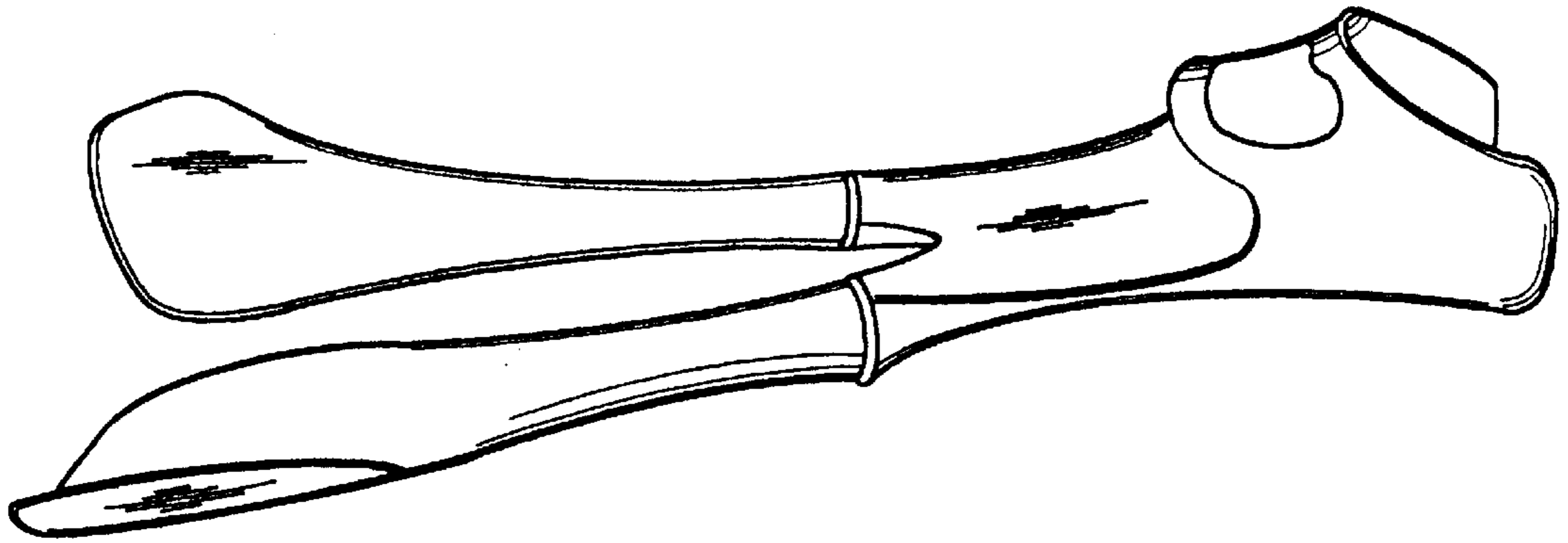


Fig. 8.

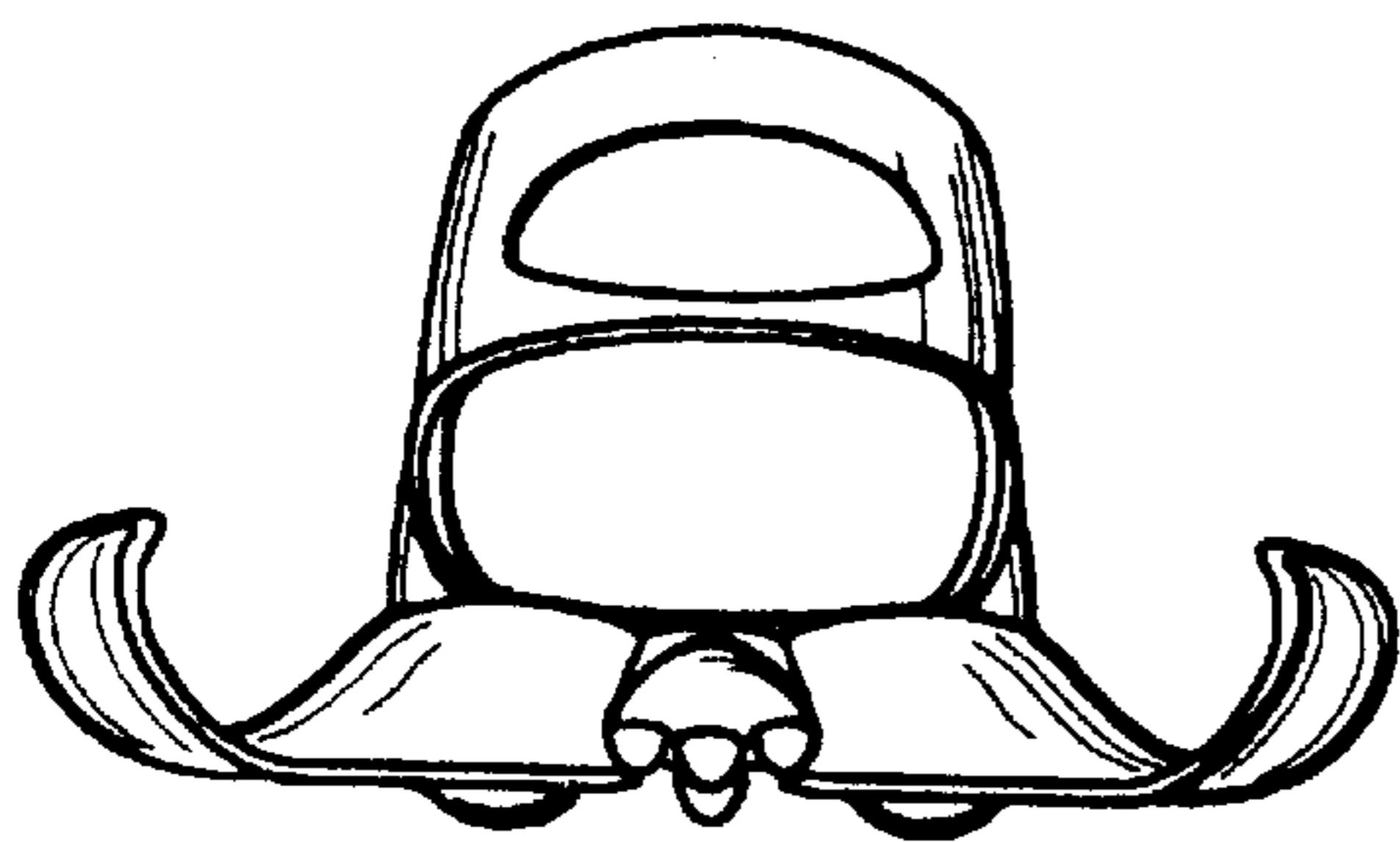
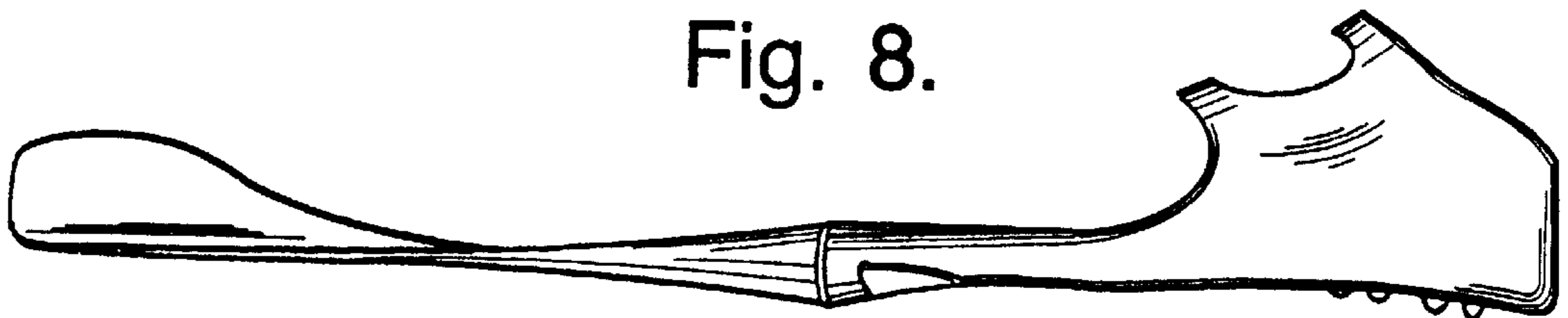


Fig. 9.

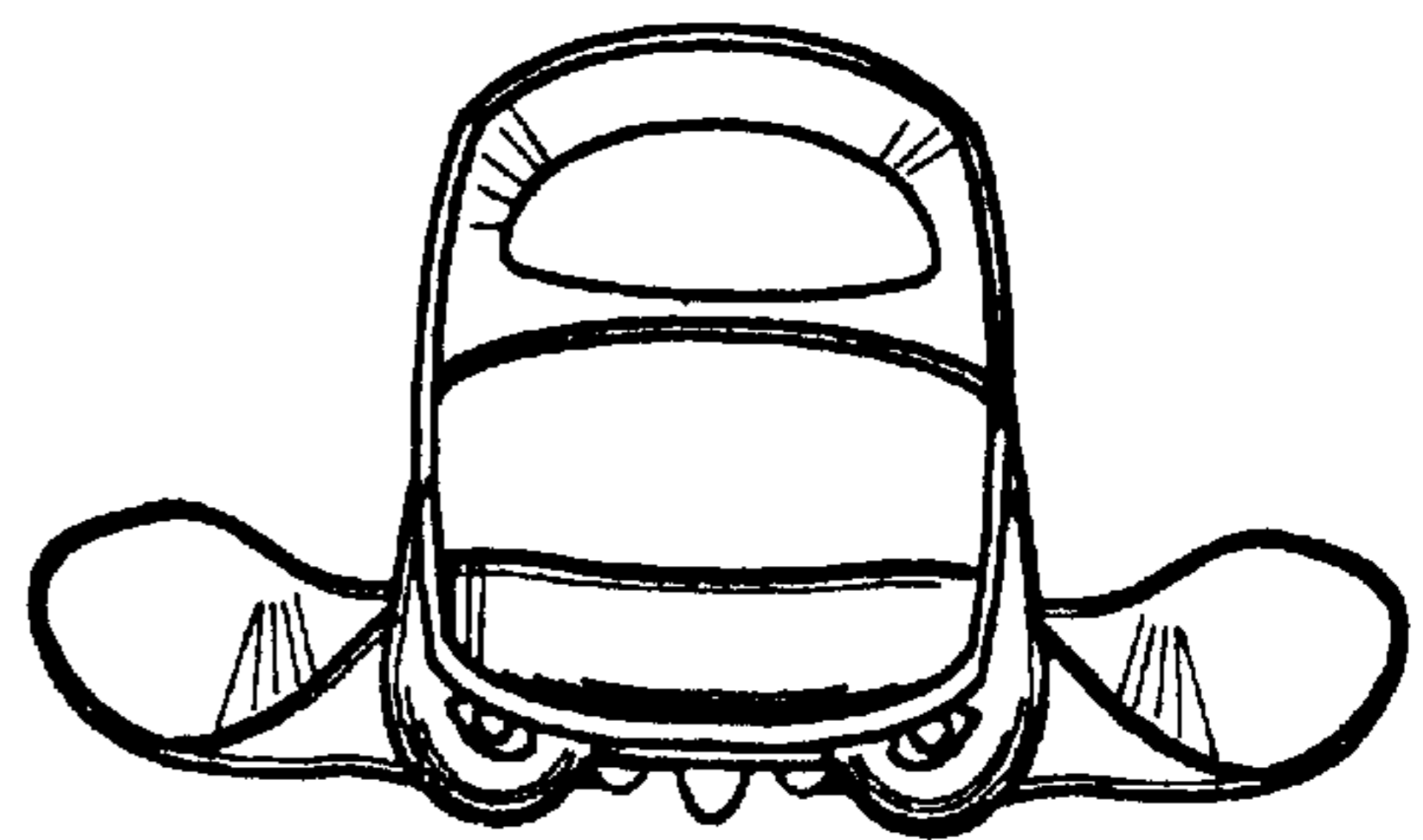


Fig. 10.

Fig. 11.

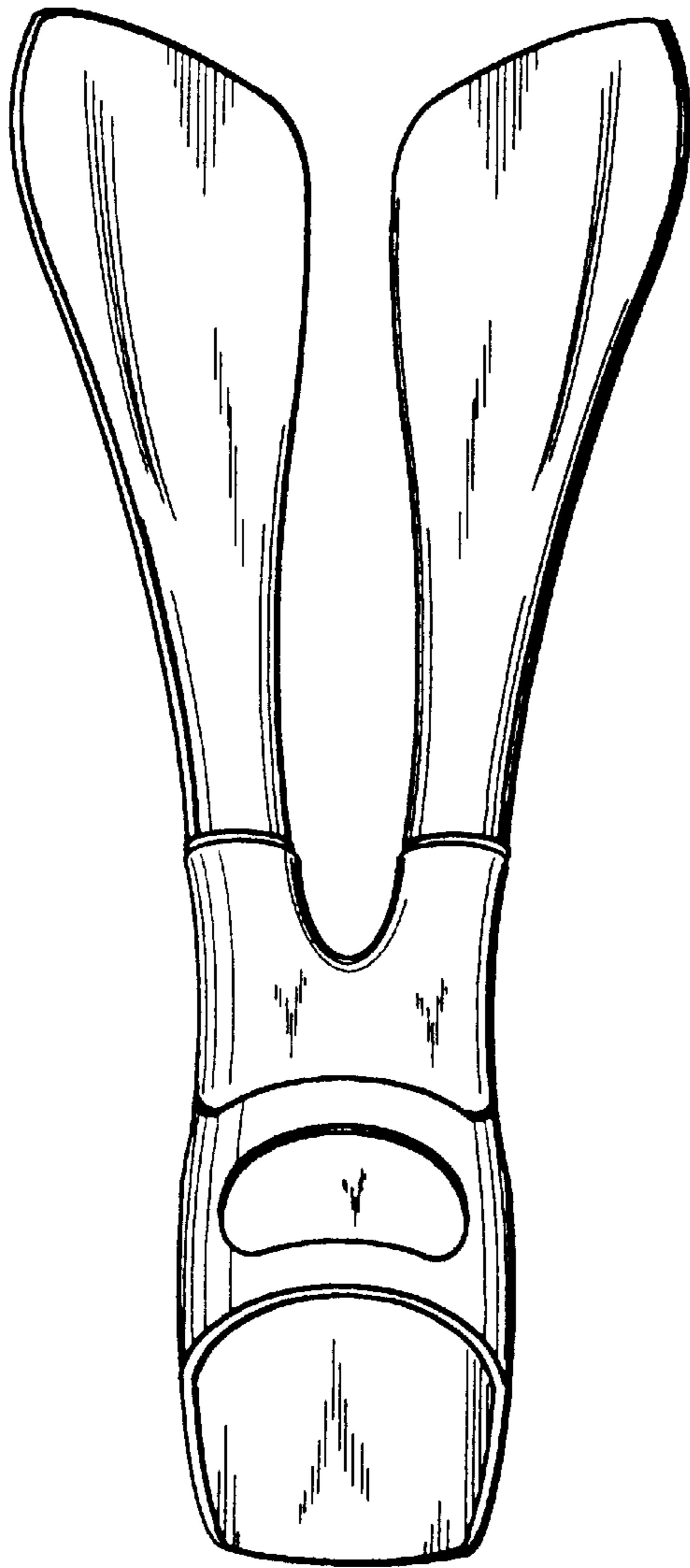


Fig. 12.

