



US00D441823S

(12) **United States Design Patent**  
**Blackhurst**

(10) **Patent No.:** **US D441,823 S**

(45) **Date of Patent:** **\*\* May 8, 2001**

(54) **PRACTICE PLATFORM**

(75) Inventor: **Paul M. Blackhurst**, Lawrenceburg,  
KY (US)

(73) Assignee: **CCG Cheer Products, Inc.**,  
Lawrenceburg, KY (US)

(\*\*) Term: **14 Years**

(21) Appl. No.: **29/103,333**

(22) Filed: **Apr. 13, 1999**

(51) **LOC (7) Cl.** ..... **21-02**

(52) **U.S. Cl.** ..... **D21/797; D6/601**

(58) **Field of Search** ..... **D21/698, 797;**  
**D9/433; D6/349, 495, 601; 482/15, 23,**  
**25**

(56) **References Cited**

**U.S. PATENT DOCUMENTS**

- D. 92,703 \* 7/1934 Crego ..... D6/349
- D. 118,816 \* 2/1940 Floresque ..... D21/797
- D. 426,608 \* 6/2000 Mulvihill ..... D21/797
- 687,968 \* 12/1901 Reber ..... D9/433 X
- 3,628,790 \* 12/1971 Gordon ..... 482/15

4,905,330 \* 3/1990 Jacobs ..... 482/23 X

4,968,025 \* 11/1990 Edkins ..... 482/23

5,853,352 \* 12/1998 Login ..... 482/23 X

5,899,838 \* 5/1999 Jacobs ..... 482/23 X

\* cited by examiner

*Primary Examiner*—Dominic Simone

(74) *Attorney, Agent, or Firm*—Fay, Sharpe, Fagan,  
Minnich & McKee, LLP

(57) **CLAIM**

The ornamental design for a practice platform, as shown.

**DESCRIPTION**

FIG. 1 is a perspective view of a practice platform showing  
my new design;

FIG. 2 is an end elevational view of the practice platform of  
FIG. 1 with the opposite end view being a mirror image  
thereof;

FIG. 3 is a side elevational view of the practice platform of  
FIG. 1 with the opposite side view being a mirror image  
thereof;

FIG. 4 is a plan view of the practice platform of FIG. 1; and,  
FIG. 5 is a bottom view of the practice platform of FIG. 1.

**1 Claim, 1 Drawing Sheet**

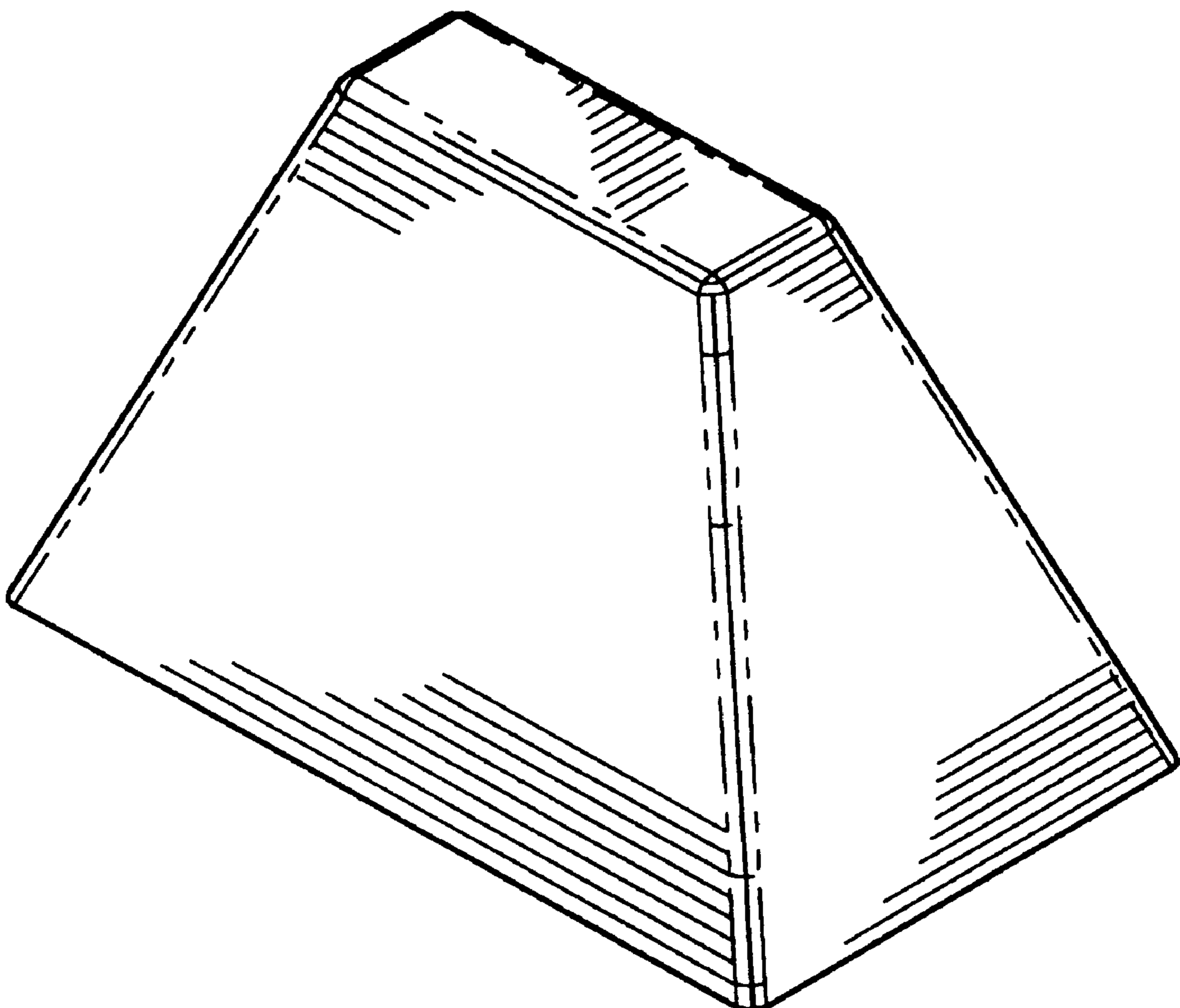


FIG.1

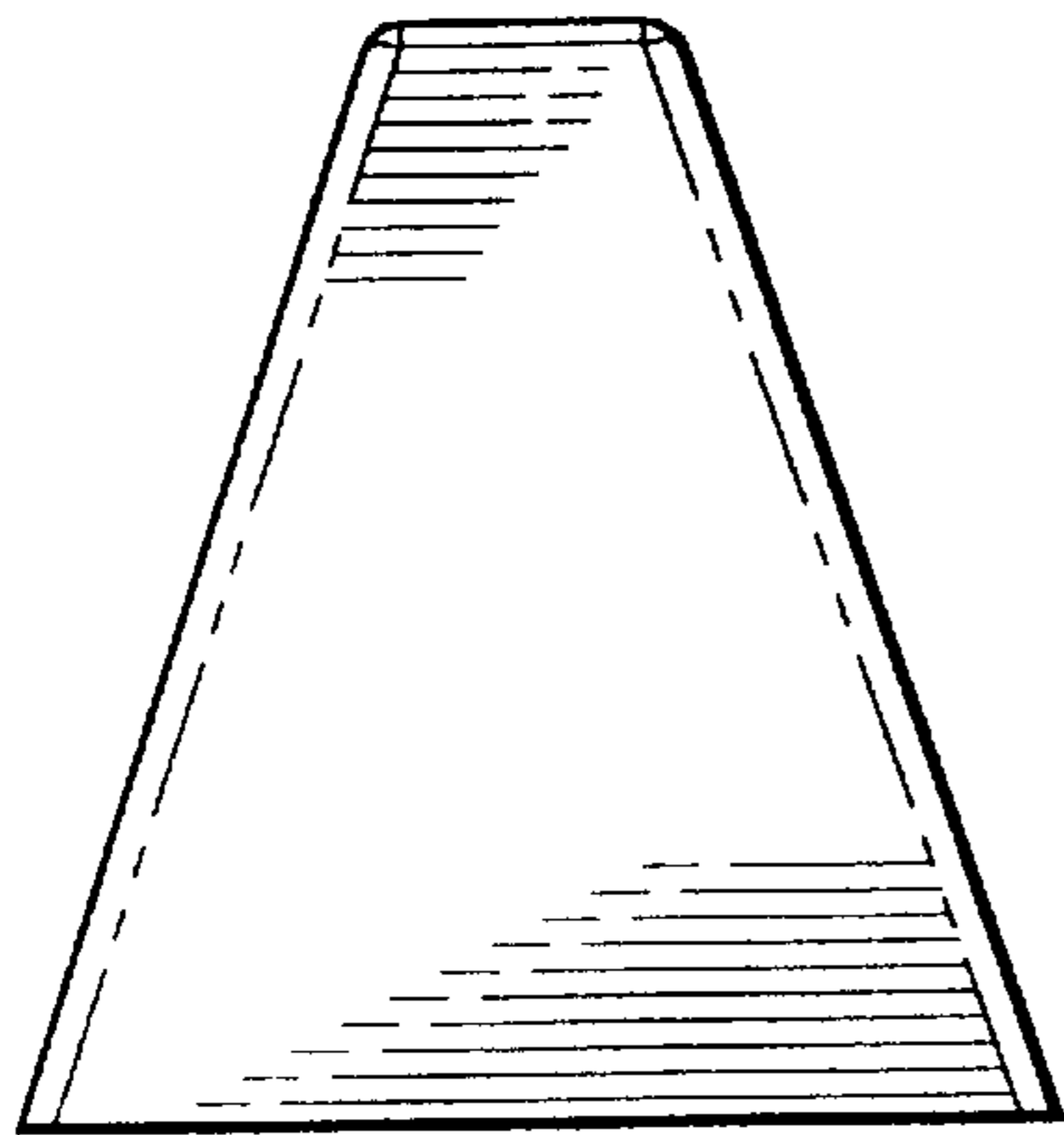
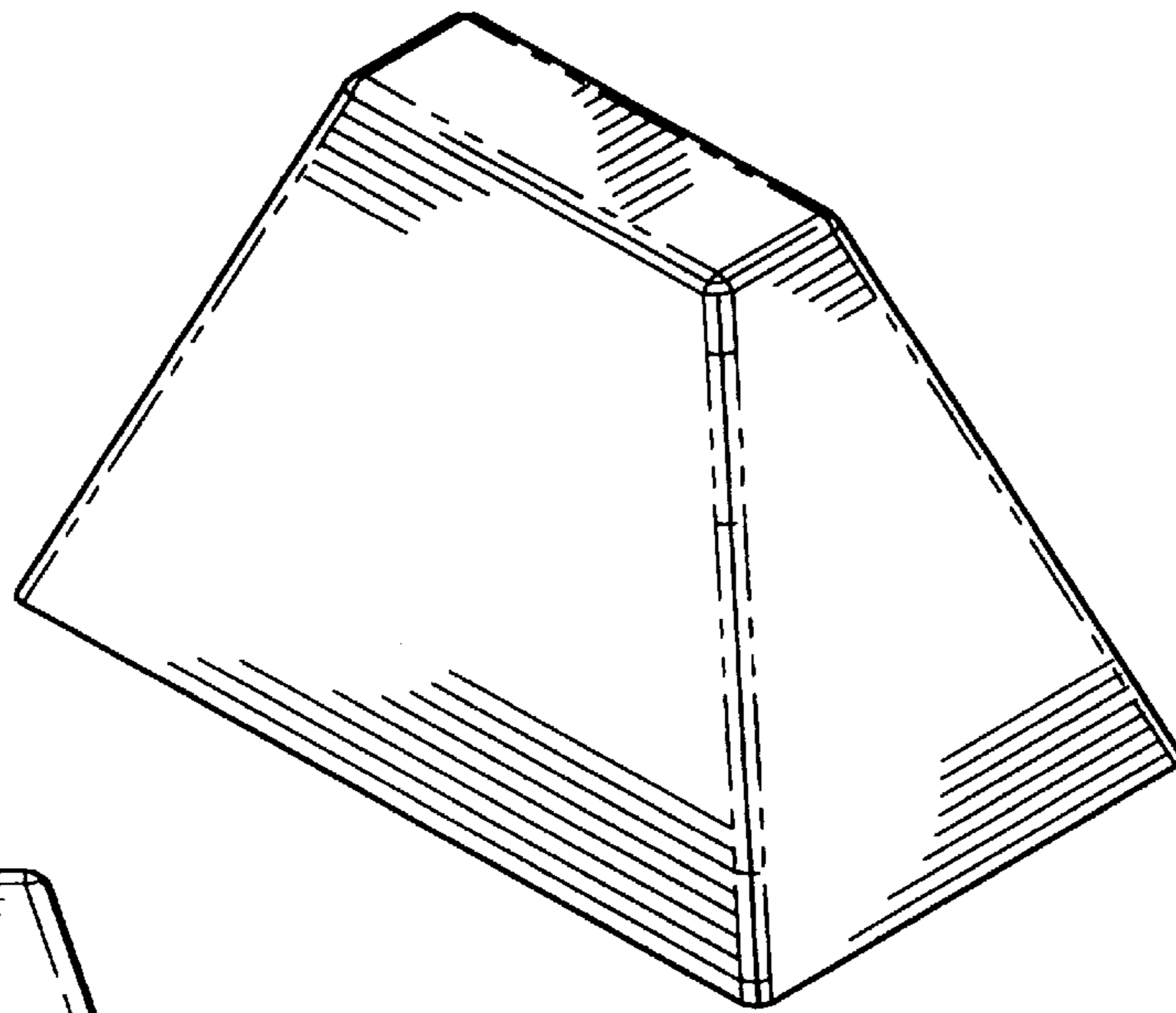


FIG.2

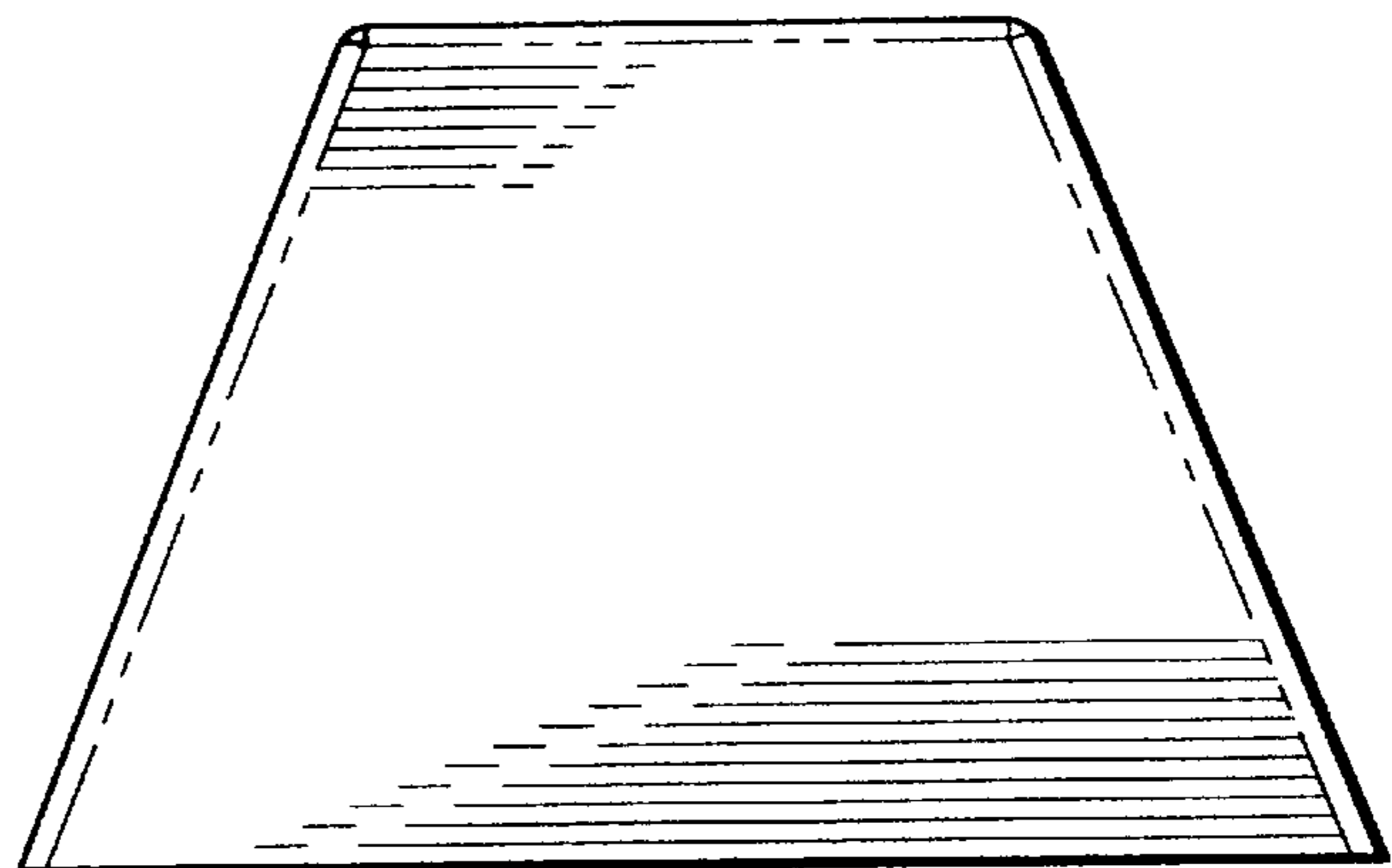


FIG.3

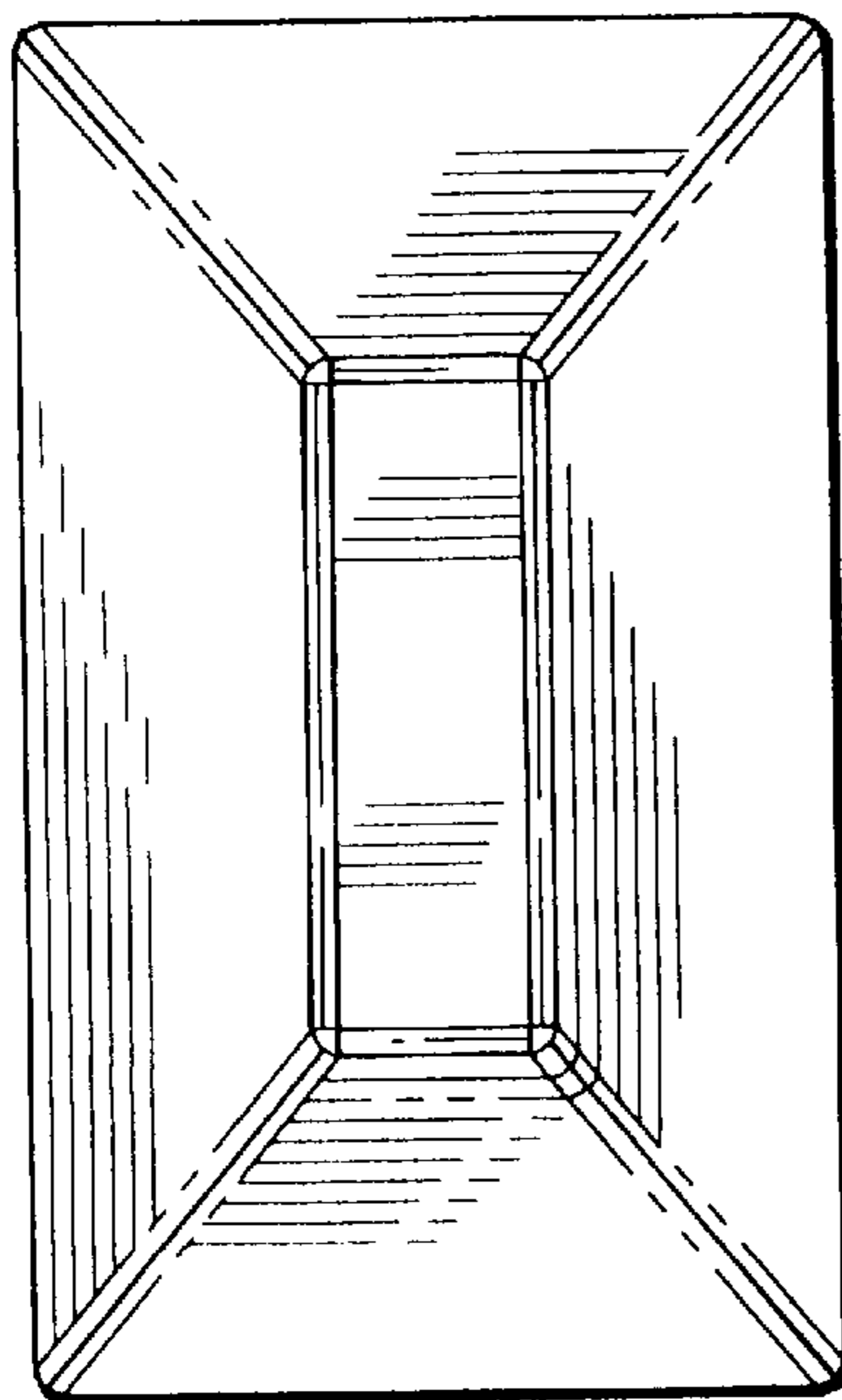


FIG.4

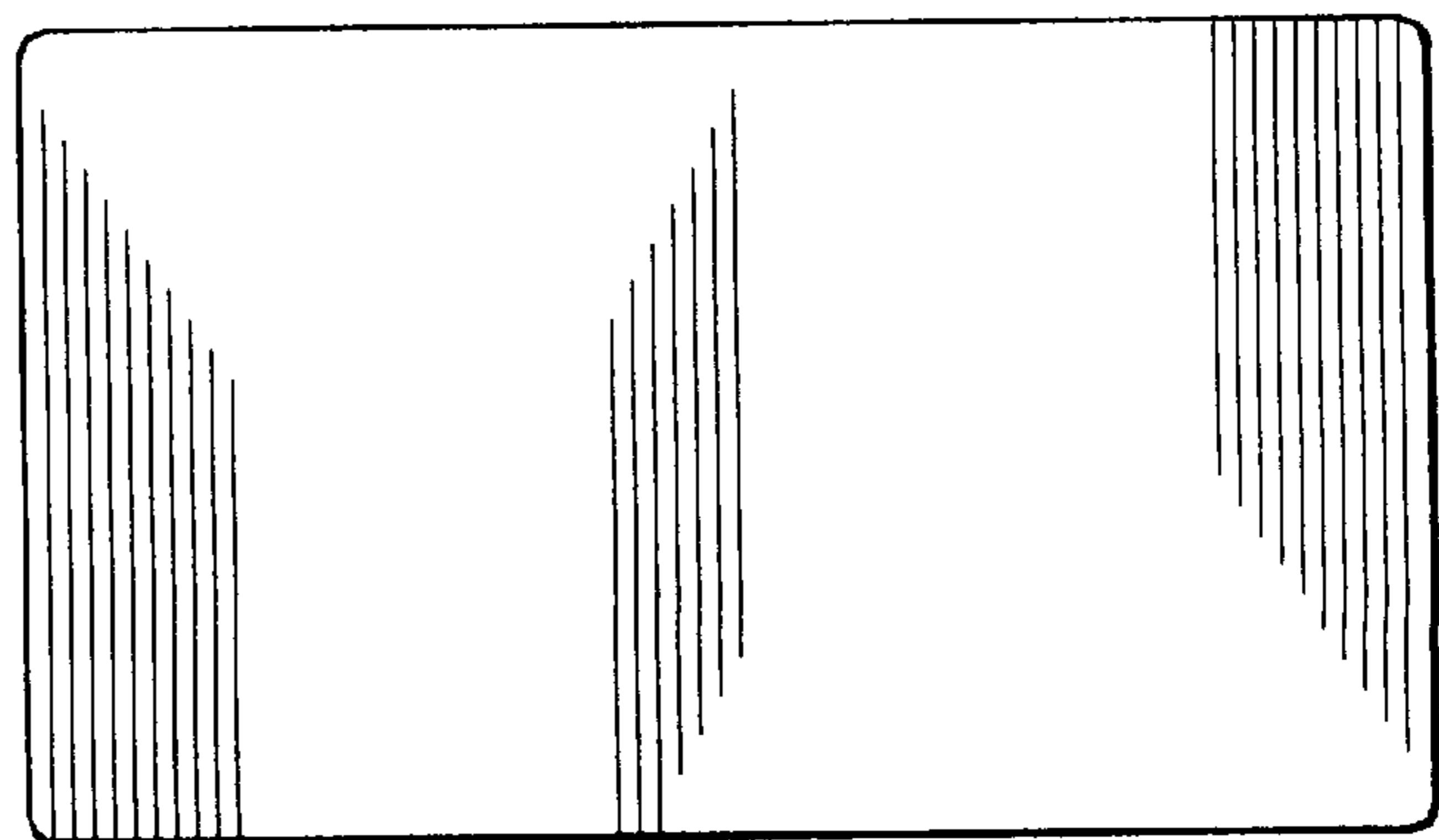


FIG.5