



US00D441820S

(12) **United States Design Patent**  
**Nicolette et al.**

(10) **Patent No.:** **US D441,820 S**

(45) **Date of Patent:** **\*\* May 8, 2001**

(54) **GOLF PUTTER HEAD**

(75) Inventors: **Michael R. Nicolette**, Cave Creek;  
**James Wells**, Phoenix, both of AZ (US)

(73) Assignee: **Karsten Manufacturing Corporation**,  
Phoenix, AZ (US)

(\*\*) Term: **14 Years**

(21) Appl. No.: **29/128,422**

(22) Filed: **Aug. 24, 2000**

(51) **LOC (7) Cl.** ..... **21-02**

(52) **U.S. Cl.** ..... **D21/738**

(58) **Field of Search** ..... D21/736-746;  
473/251-256, 324, 325, 327, 328, 340,  
341

(56) **References Cited**

**U.S. PATENT DOCUMENTS**

- D. 194,239 \* 12/1962 Hyde ..... D21/738
- D. 238,285 12/1975 Ross .
- D. 257,784 1/1981 Forys et al. .
- D. 338,936 8/1993 Smith .
- D. 341,860 11/1993 DeLomba .

- D. 356,131 3/1995 Trimble .
- D. 357,043 \* 4/1995 Turner ..... D21/738
- D. 388,484 12/1997 English .
- D. 389,207 1/1998 Cameron .
- 3,873,094 \* 3/1975 Sebo et al. .... 473/340
- 5,839,974 \* 11/1998 McAllister ..... 473/337

\* cited by examiner

*Primary Examiner*—Mitchell Siegel

(74) *Attorney, Agent, or Firm*—Darrell F. Marquette

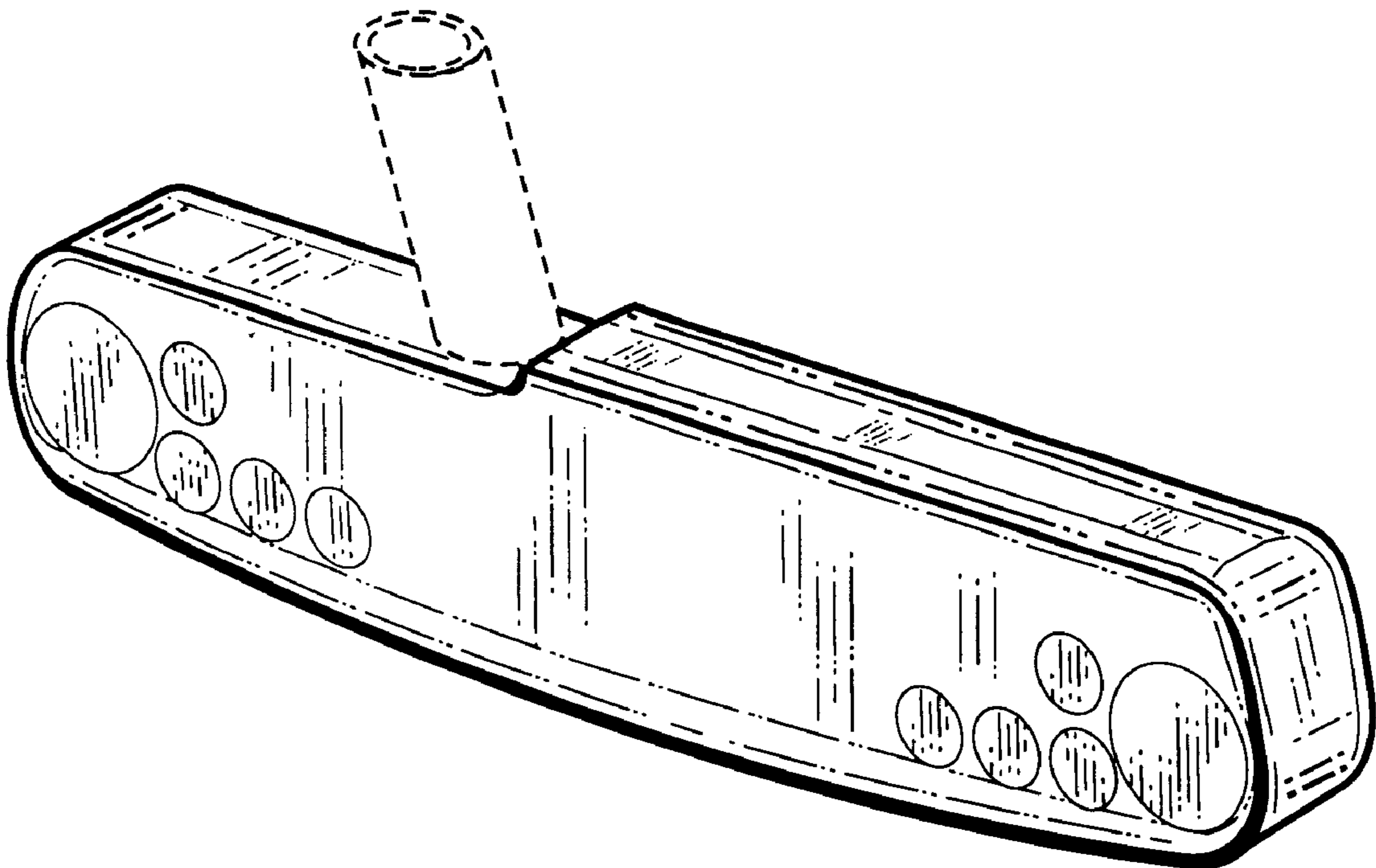
(57) **CLAIM**

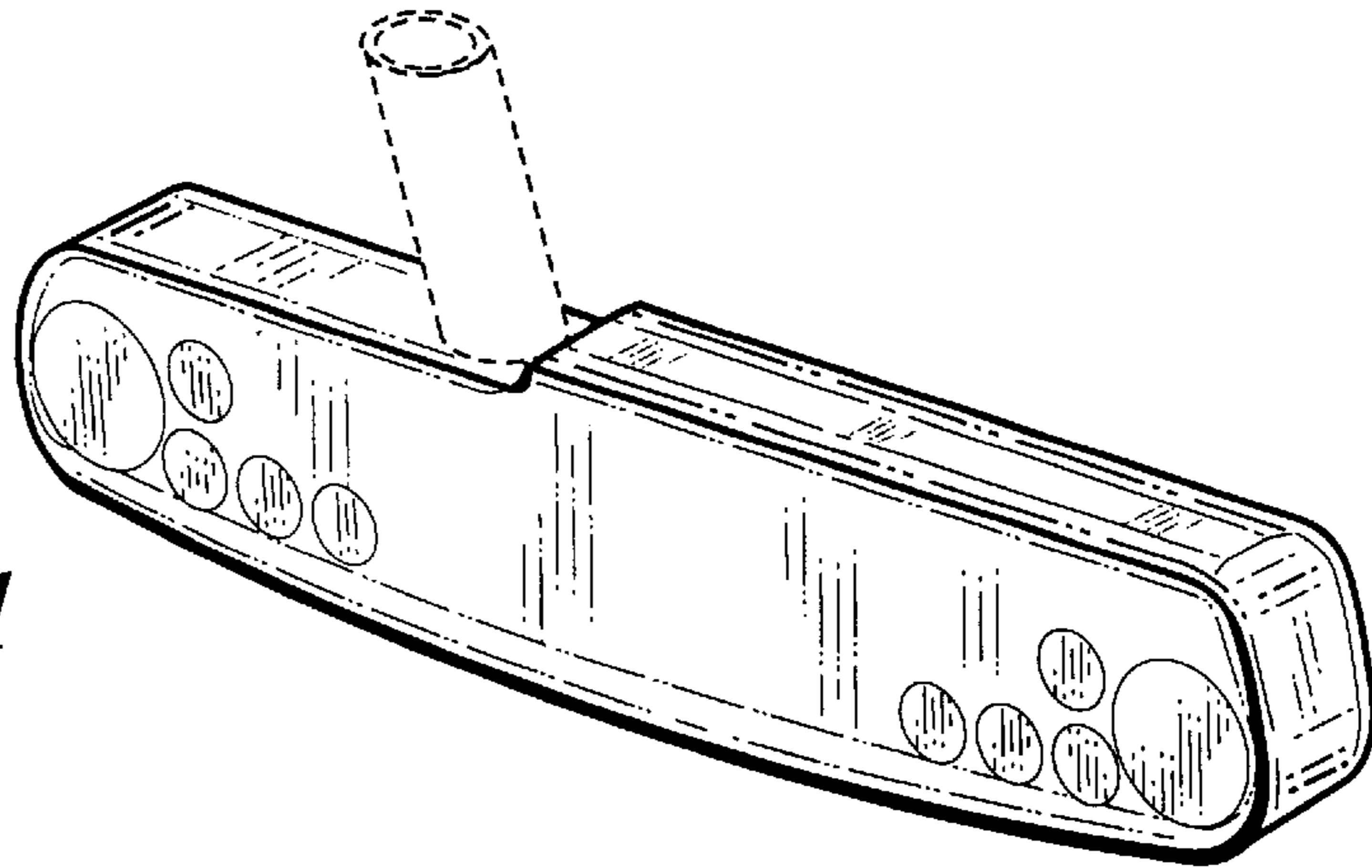
The ornamental design for a golf putter head, as shown and described.

**DESCRIPTION**

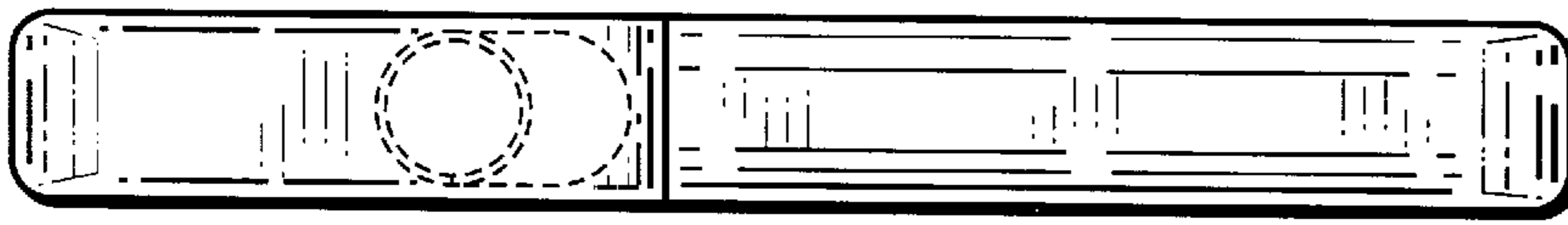
FIG. 1 is a perspective view of a golf putter head showing our new design;  
 FIG. 2 is a top plan view of the golf putter head;  
 FIG. 3 is a rear elevational view of the golf putter head;  
 FIG. 4 is a front elevational view of the golf putter head;  
 FIG. 5 is a bottom view of the golf putter head;  
 FIG. 6 is a toe end view of the golf putter head; and,  
 FIG. 7 is a heel end view of the golf putter head.

**1 Claim, 1 Drawing Sheet**

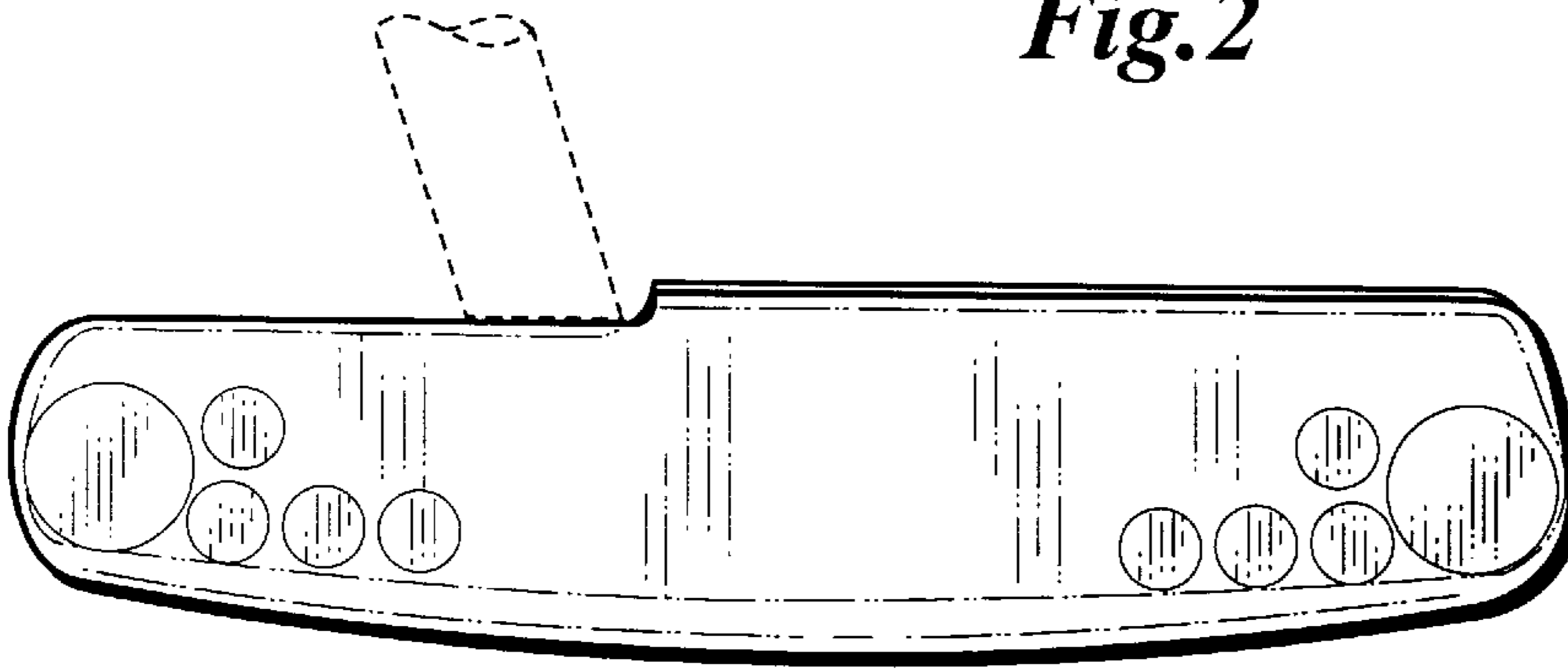




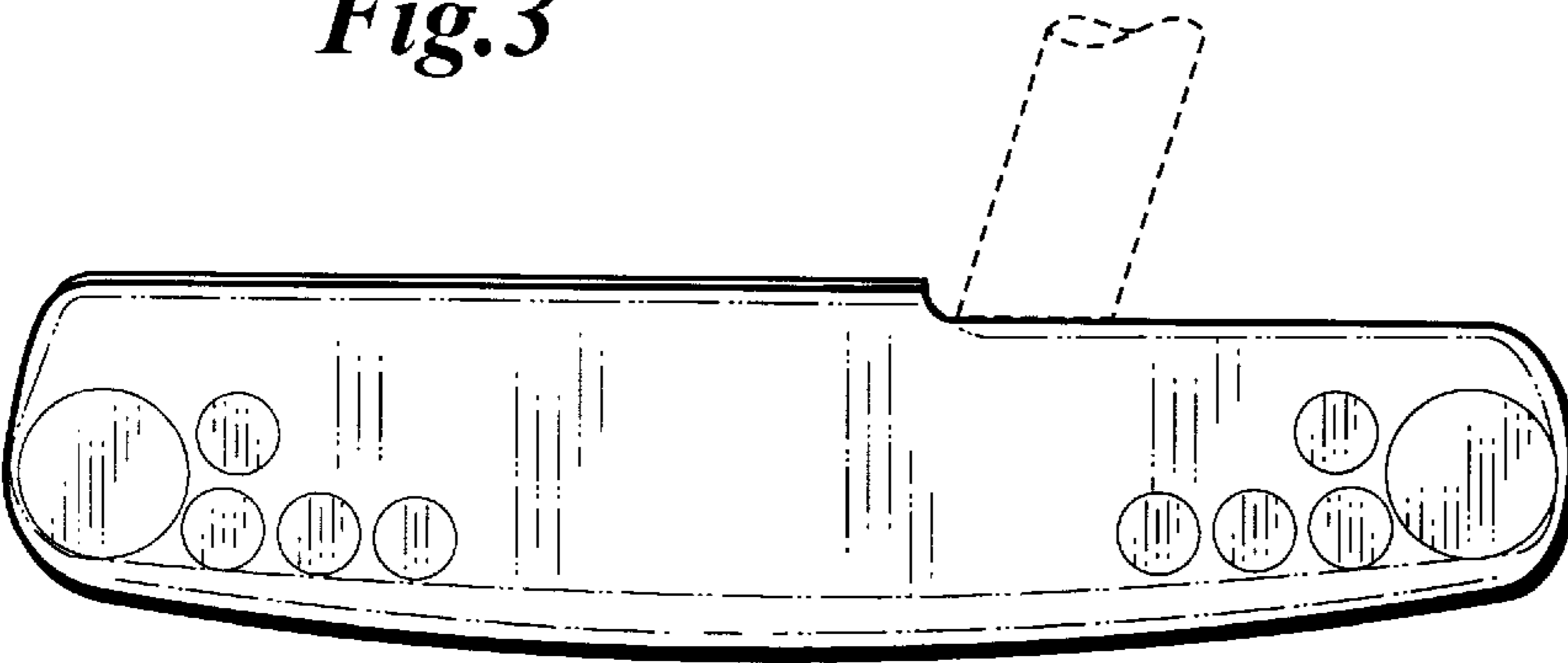
*Fig. 1*



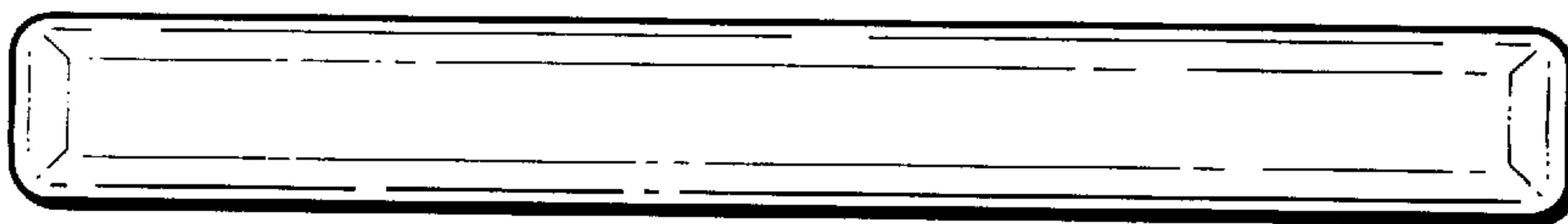
*Fig. 2*



*Fig. 3*



*Fig. 4*



*Fig. 5*

*Fig. 6*



*Fig. 7*

