



US00D441813S

(12) **United States Design Patent**
Ceppo

(10) **Patent No.:** **US D441,813 S**

(45) **Date of Patent:** **** May 8, 2001**

(54) **DUMBBELL HOLDER STANDS SUPPORT**

6,149,556 * 11/2000 Jordan 482/104

(76) Inventor: **Louis Ceppo**, 204 Colonial Dr., Bldg.
5, Boynton Beach, FL (US) 33435

* cited by examiner

(**) Term: **14 Years**

Primary Examiner—Philip S. Hyder
(74) *Attorney, Agent, or Firm*—McHale & Slavin

(21) Appl. No.: **29/128,305**

(57) **CLAIM**

(22) Filed: **Aug. 22, 2000**

The ornamental design for a dumbbell holder stands support,
as shown and described.

(51) **LOC (7) Cl.** **21-02**

DESCRIPTION

(52) **U.S. Cl.** **D21/686**; 482/104

(58) **Field of Search** D21/686, 691,
D21/662, 694; 482/92, 93, 94, 104, 139,
148

FIG. 1 is a perspective view of a dumbbell holder stands support, showing my new design, wherein the broken line showings of the dumbbells are for illustrative purposes only and form no part of the claimed design;

(56) **References Cited**

FIG. 2 is a perspective view of the dumbbell holder stands support;

U.S. PATENT DOCUMENTS

FIG. 3 is a rear elevation view thereof;

D. 415,223	*	10/1999	Gay	D21/694
D. 425,152	*	5/2000	Ceppo	D21/686
D. 425,950	*	5/2000	Ceppo	D21/686
D. 429,295	*	8/2000	Ceppo	D21/686
5,411,459	*	5/1995	Hayden	482/104
5,725,460	*	3/1998	Marsh	482/104
5,924,964	*	7/1999	Hayden	492/104
5,970,898	*	10/1999	Schoolfield	482/104

FIG. 4 is a left side elevation view thereof;

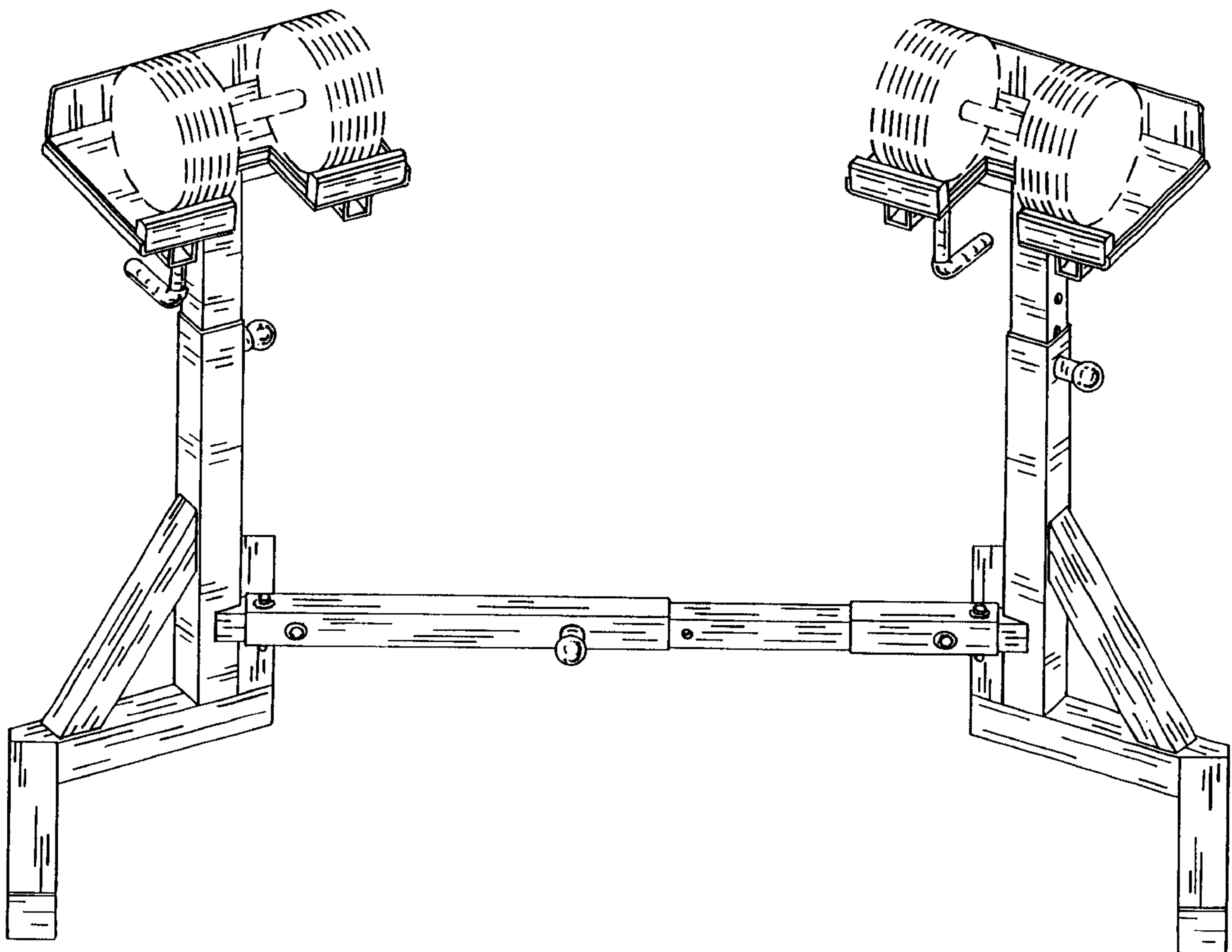
FIG. 5 is a right side elevation view thereof;

FIG. 6 is a front elevation view thereof;

FIG. 7 is a top view thereof; and,

FIG. 8 is a bottom plan view thereof.

1 Claim, 8 Drawing Sheets



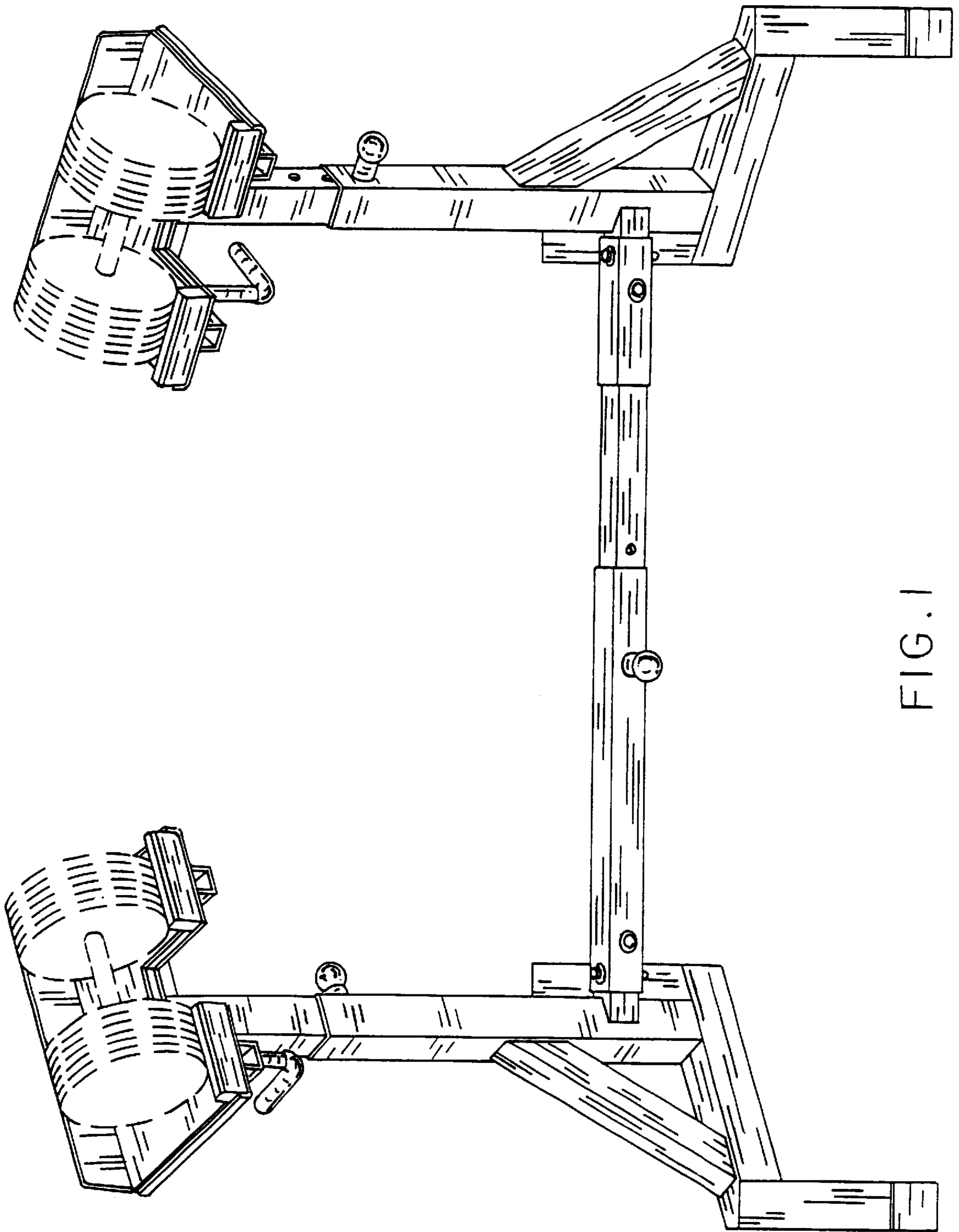


FIG. 1

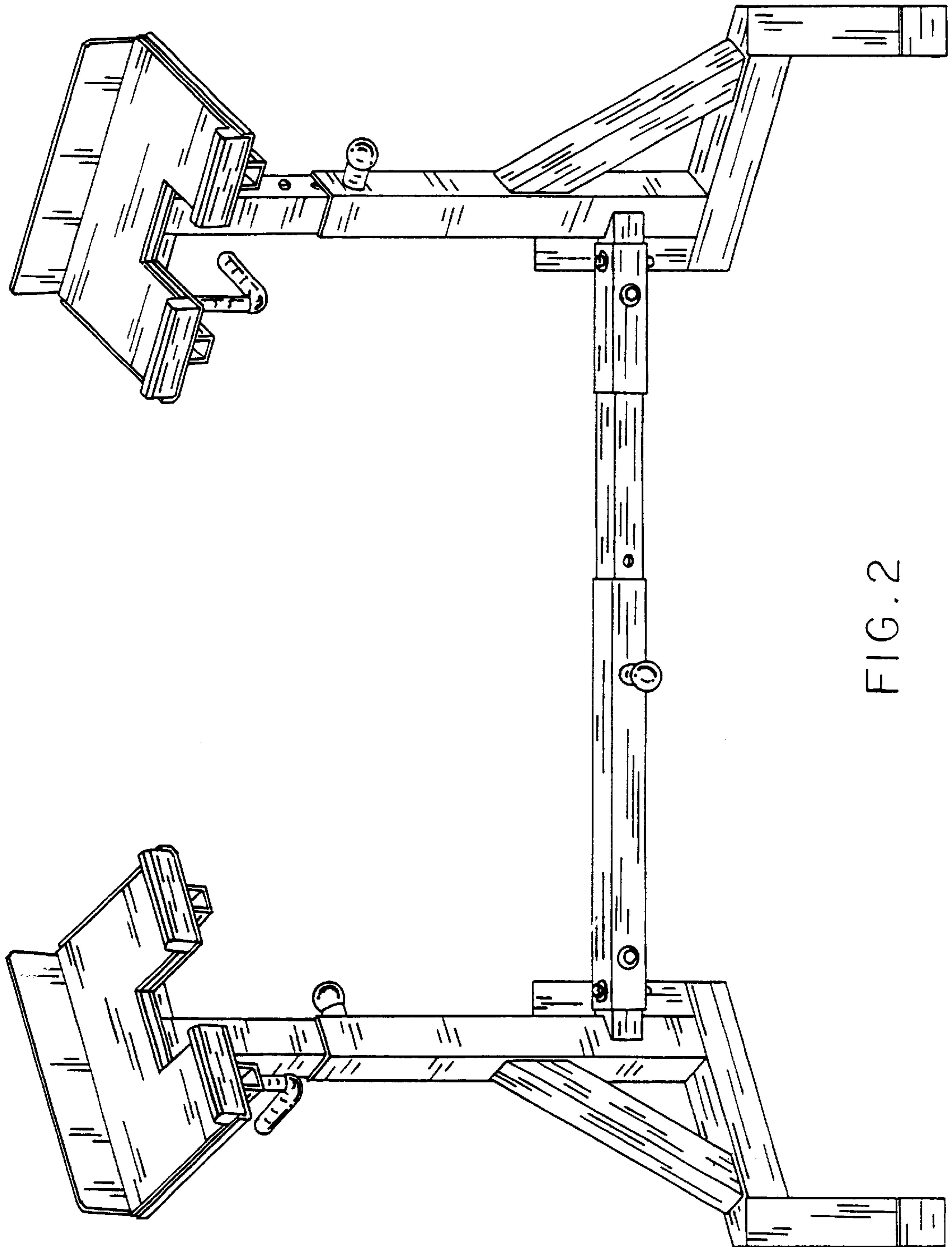


FIG. 2

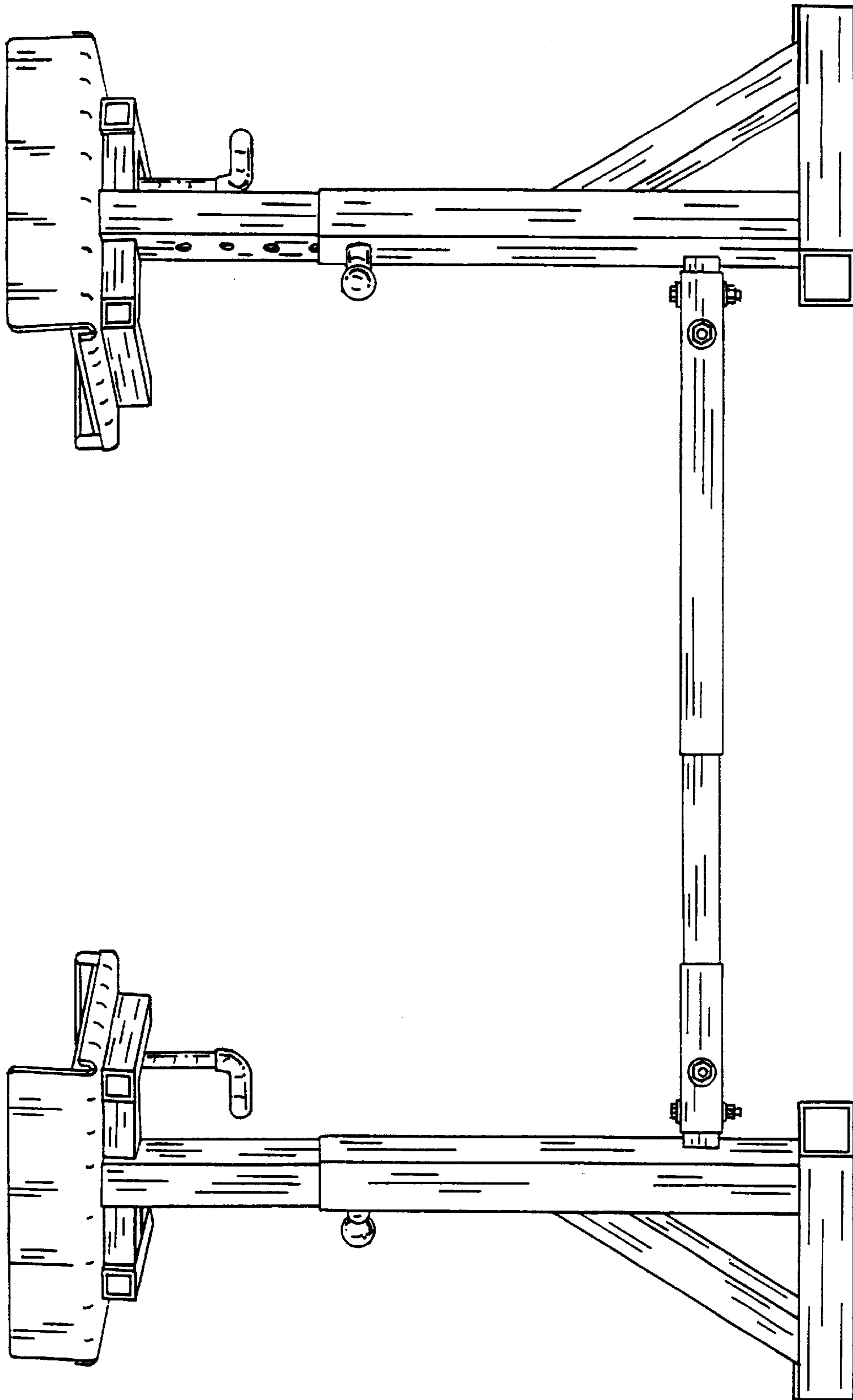


FIG. 3

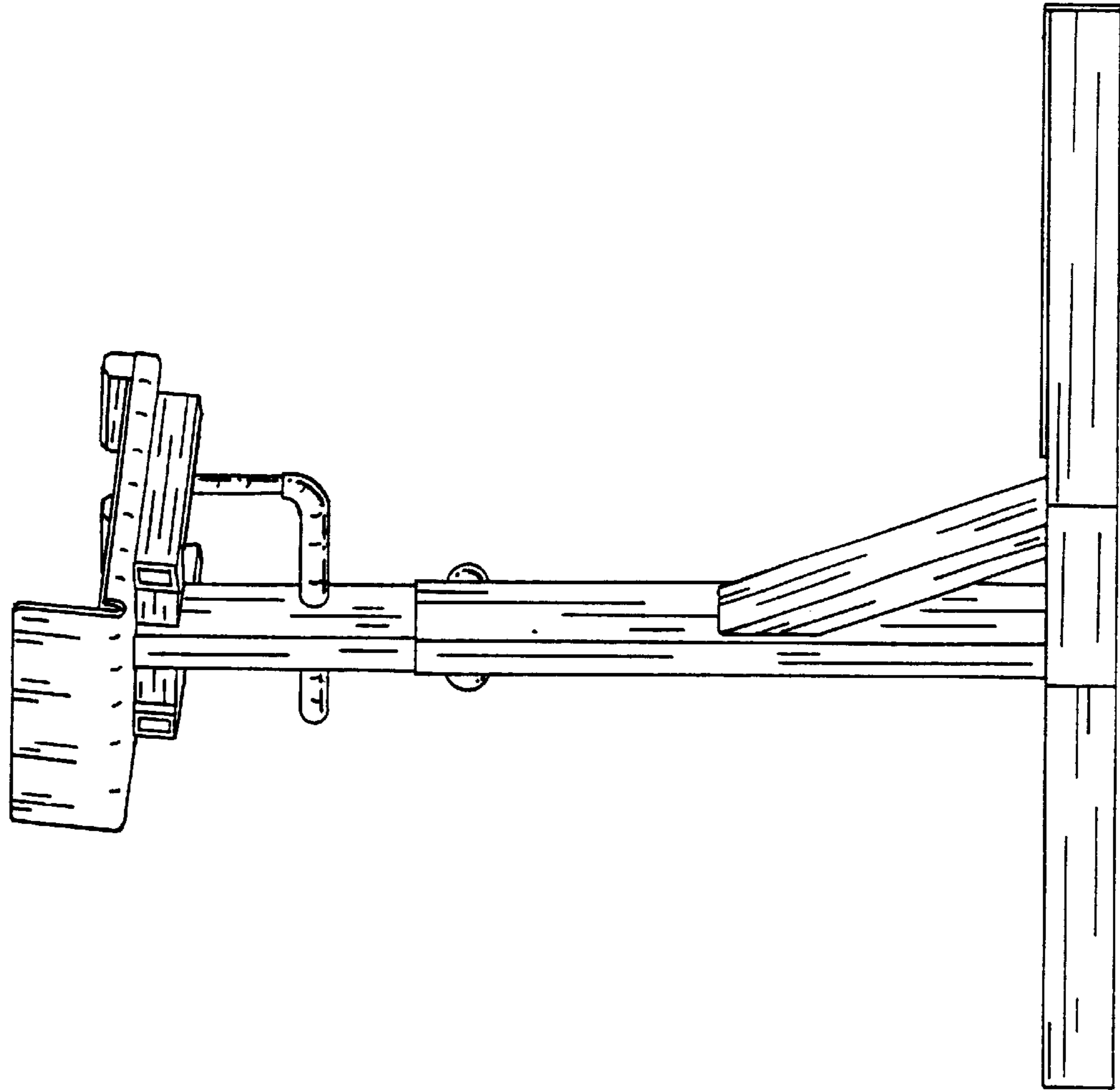


FIG. 4

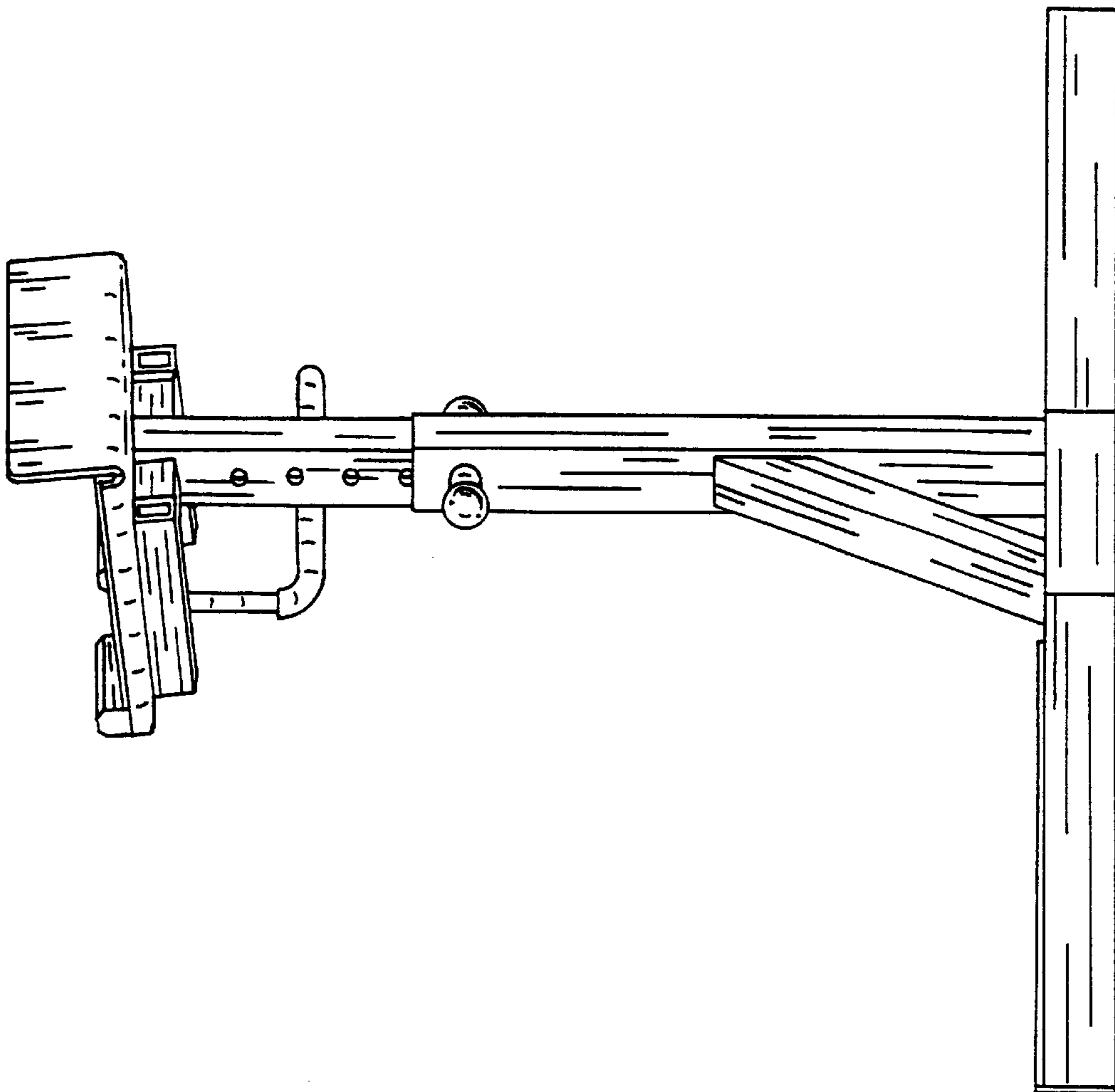


FIG. 5

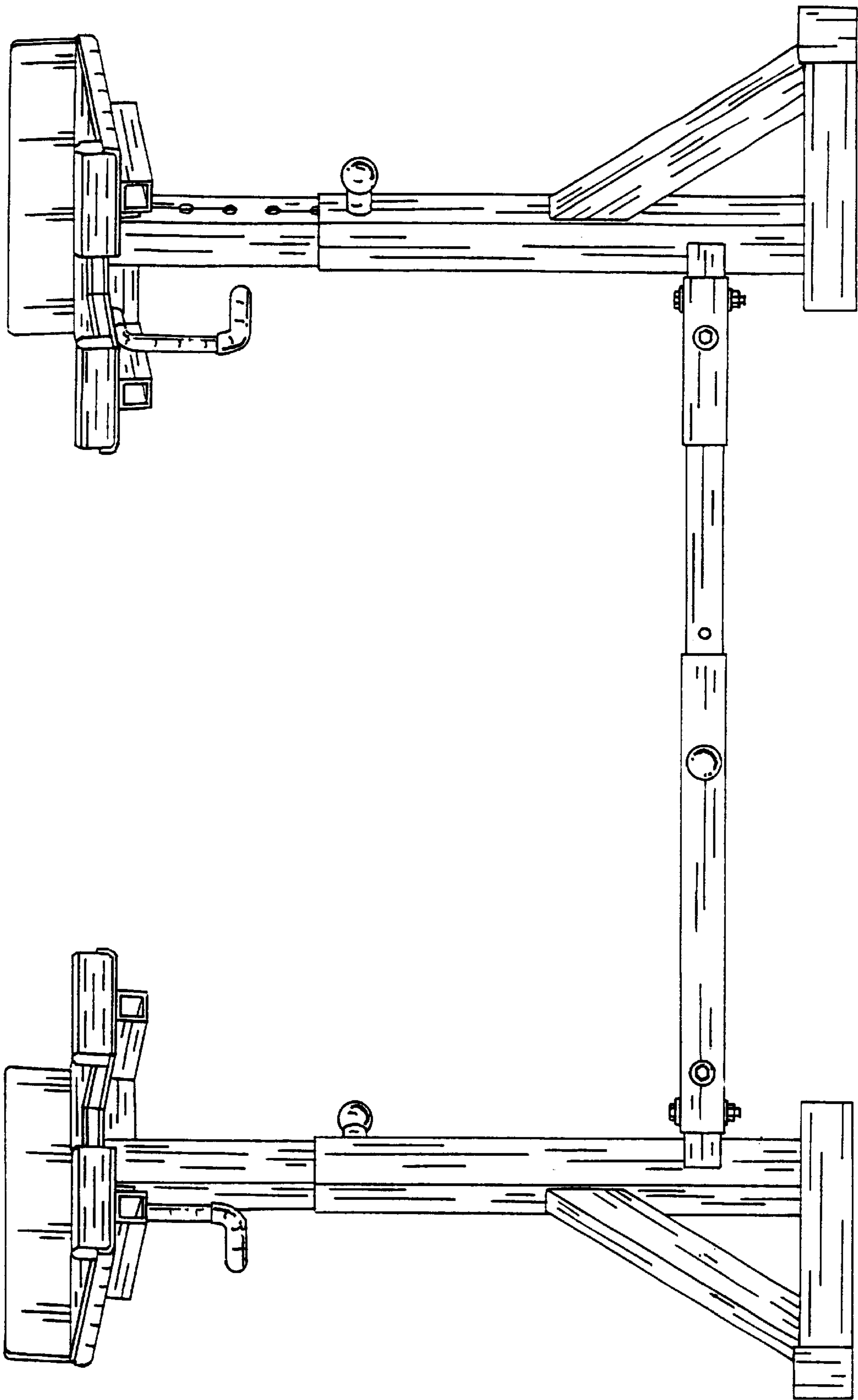


FIG. 6

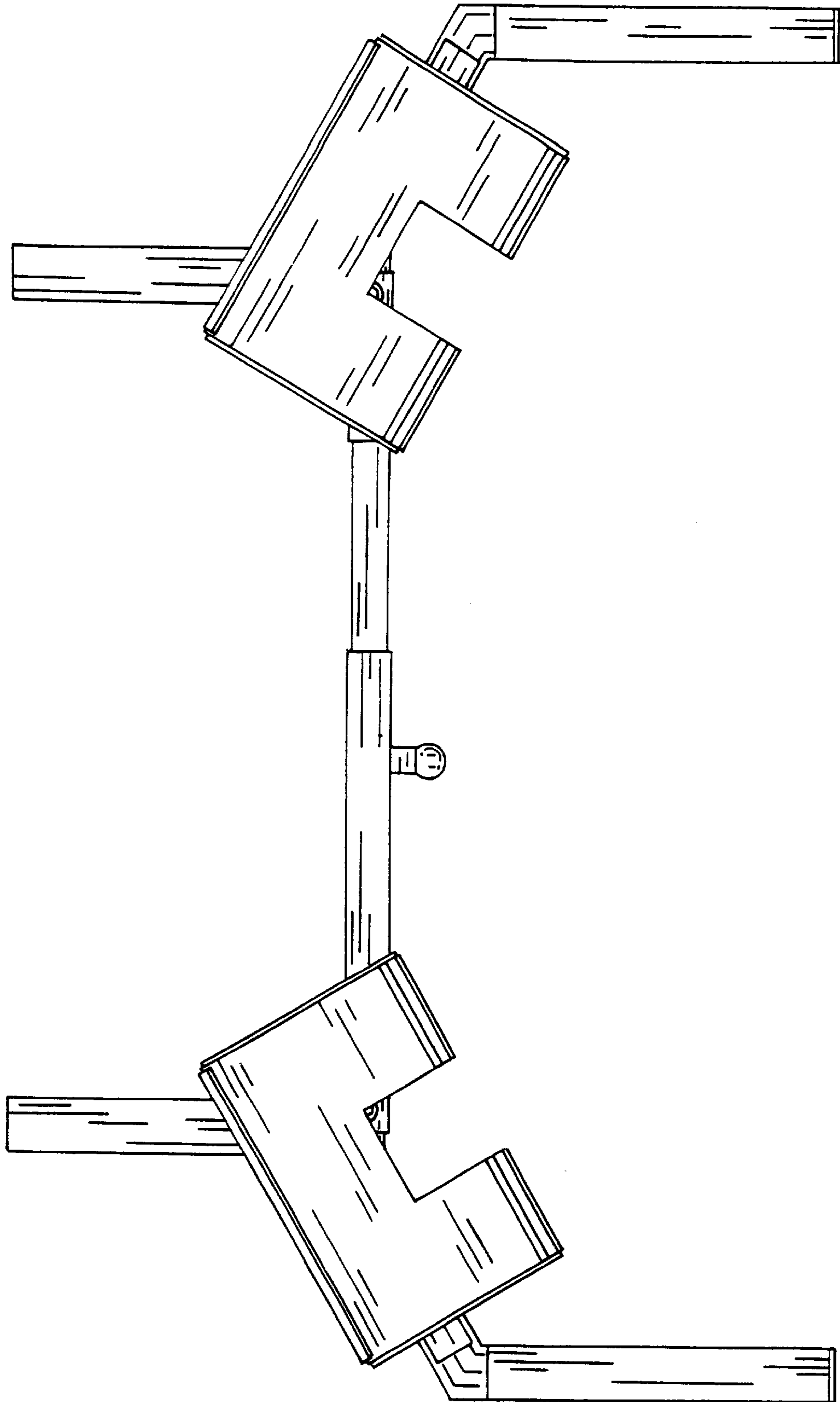


FIG. 7

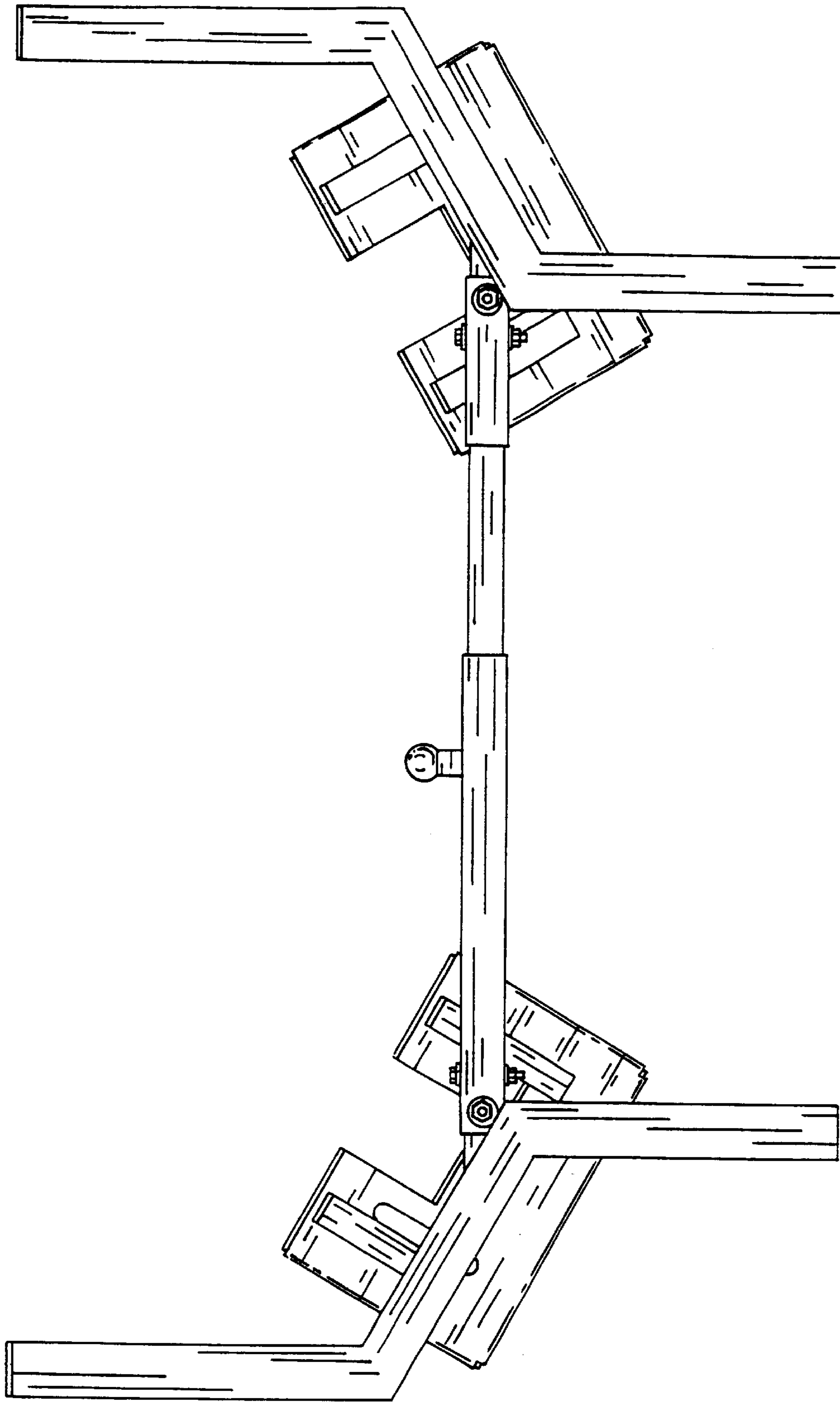


FIG. 8