



US00D441812S

(12) **United States Design Patent**  
**Rojas et al.**

(10) **Patent No.:** **US D441,812 S**

(45) **Date of Patent:** **\*\* May 8, 2001**

(54) **WEIGHT PLATE WITH ONE GRIP OPENING**

(75) Inventors: **Michael O. Rojas**, Tustin; **Scott J. Frasco**, Huntington Beach, both of CA (US)

(73) Assignee: **Iron Grip Barbell Company**, Inc., Costa Mesa, CA (US)

(\*\*) Term: **14 Years**

(21) Appl. No.: **29/119,369**

(22) Filed: **Feb. 28, 2000**

(51) **LOC (7) Cl.** ..... **21-02**

(52) **U.S. Cl.** ..... **D21/681; D21/680**

(58) **Field of Search** ..... D21/680, 681, D21/682, 683; 482/105, 106, 107, 108

(56) **References Cited**

**U.S. PATENT DOCUMENTS**

- D. 215,057 \* 8/1969 Sun ..... D21/680
- D. 354,322 \* 1/1995 Vodhanel, Jr. .... D21/681

- D. 355,007 \* 1/1995 Rojas et al. .... D21/681
- D. 394,685 \* 5/1998 Eckmann ..... D21/680
- D. 421,076 \* 2/2000 Lincir ..... D21/681
- D. 424,140 \* 5/2000 Lincir ..... D21/681
- D. 424,639 \* 5/2000 Rojas et al. .... D21/680
- 5,137,502 \* 8/1992 Anastasi ..... 482/106
- 5,628,716 \* 5/1997 Brice ..... 482/106
- 5,692,996 \* 12/1997 Widerman ..... 482/93

\* cited by examiner

*Primary Examiner*—Philip S. Hyder

(74) *Attorney, Agent, or Firm*—Darby & Darby

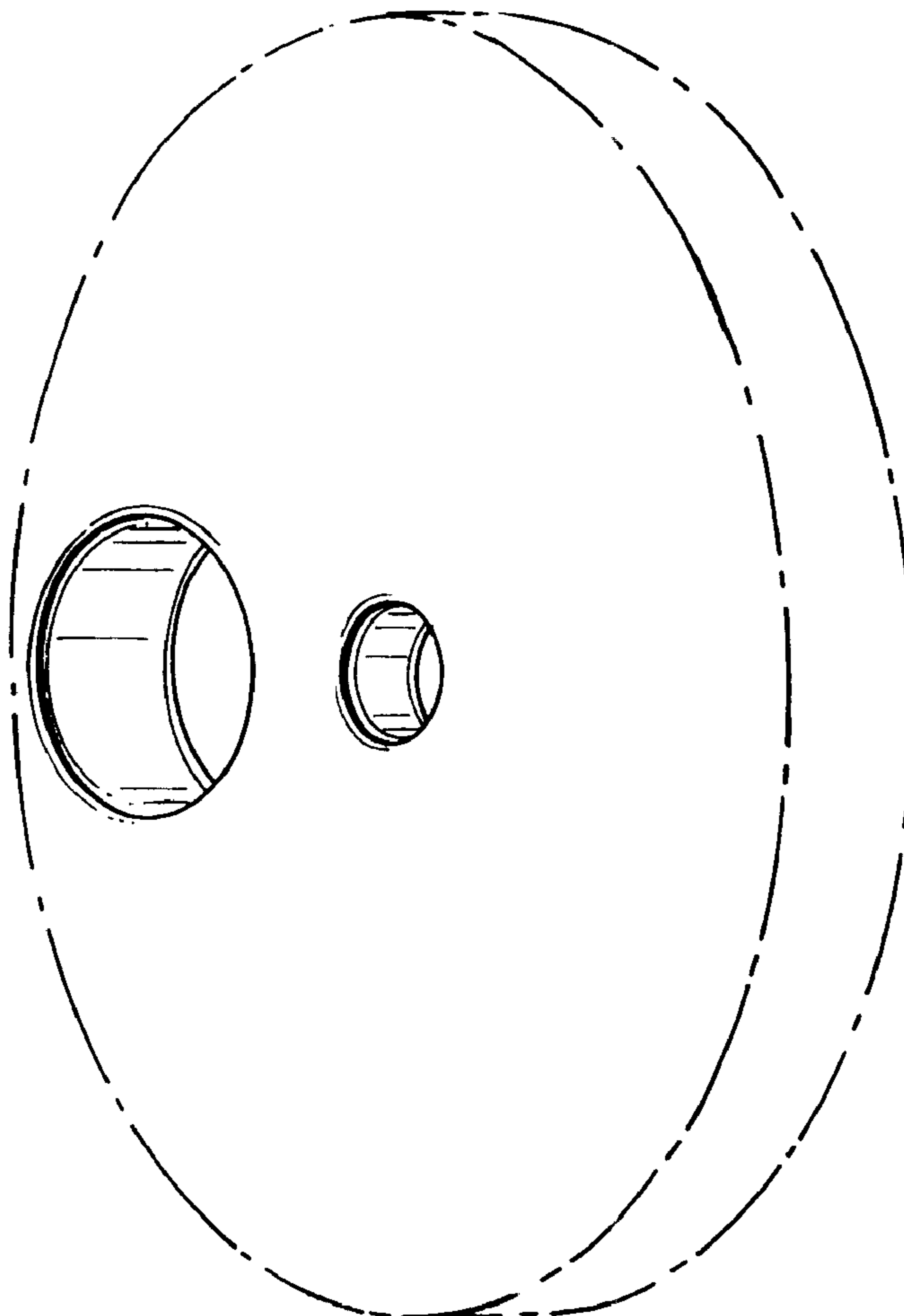
(57) **CLAIM**

The ornamental design for a weight plate with one grip opening, as shown and described.

**DESCRIPTION**

FIG. 1 is a perspective view of a weight plate with one grip opening, showing our new design; and, FIG. 2 is a front view of the weight plate with one grip opening of FIG. 1.

**1 Claim, 1 Drawing Sheet**



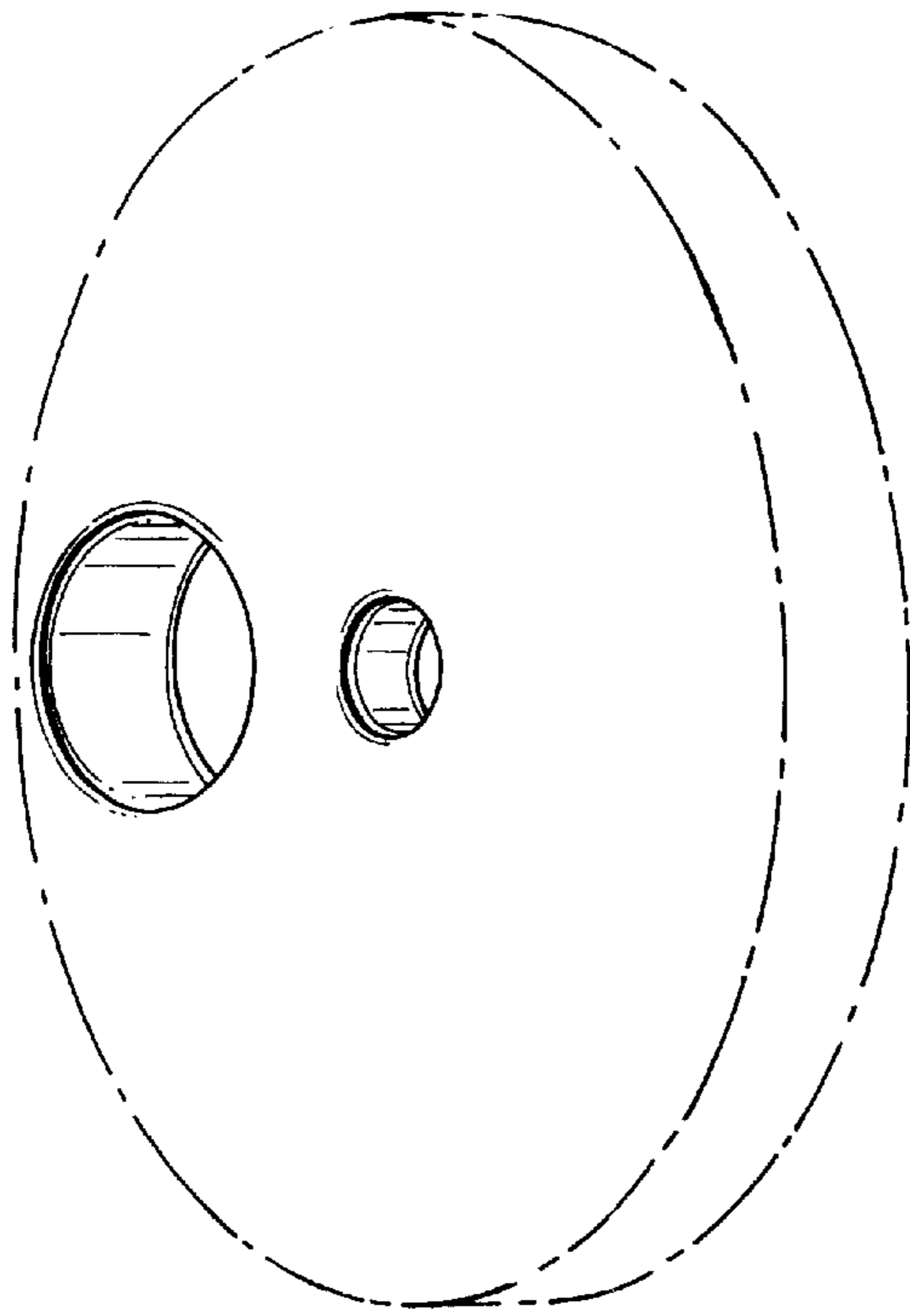
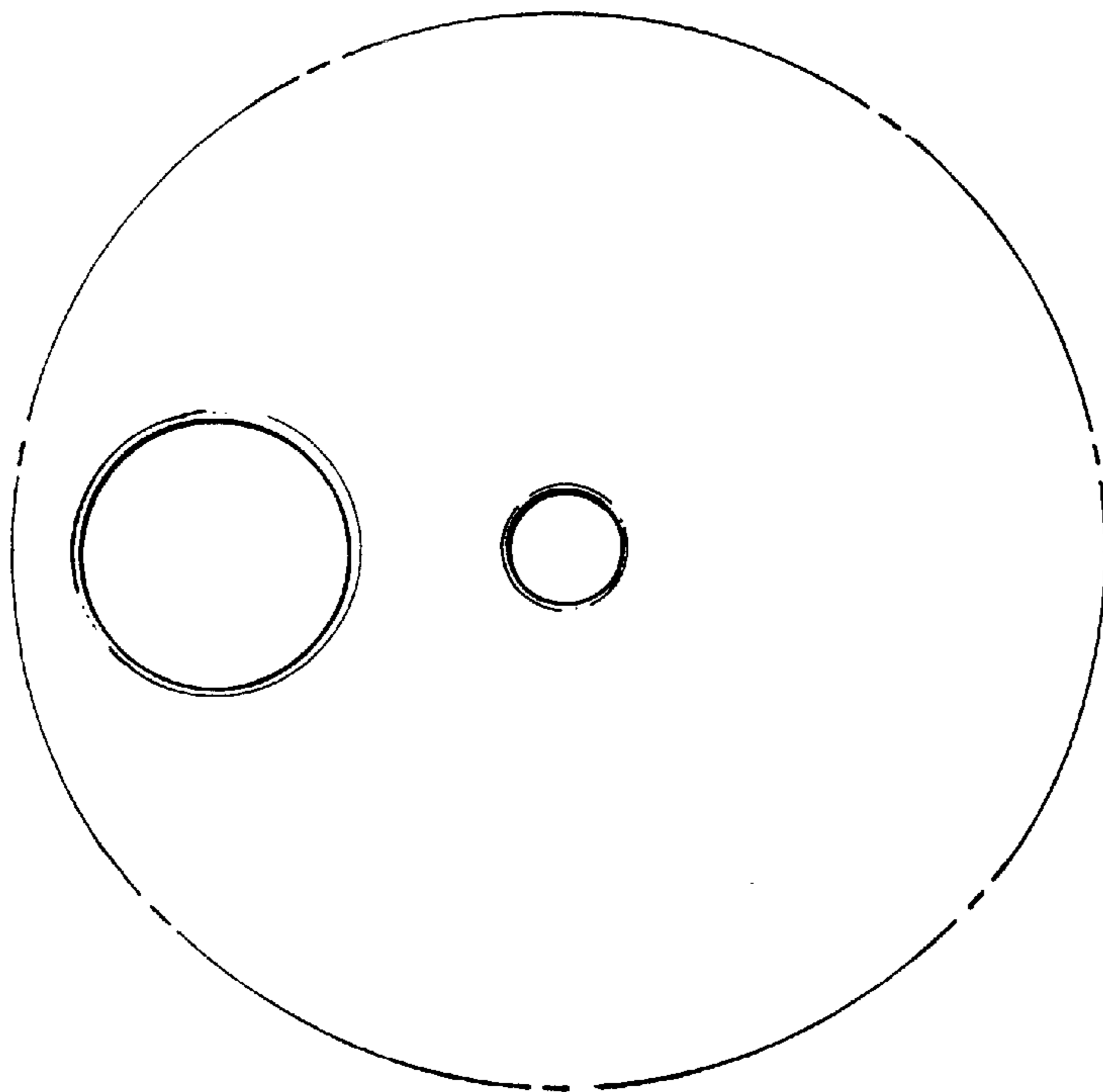


FIG. 1

FIG. 2



UNITED STATES PATENT AND TRADEMARK OFFICE  
**CERTIFICATE OF CORRECTION**

PATENT NO. : Des 441,812 S  
DATED : May 8, 2001  
INVENTOR(S) : Michael O. Rojas

Page 1 of 1

It is certified that error appears in the above-identified patent and that said Letters Patent is hereby corrected as shown below:

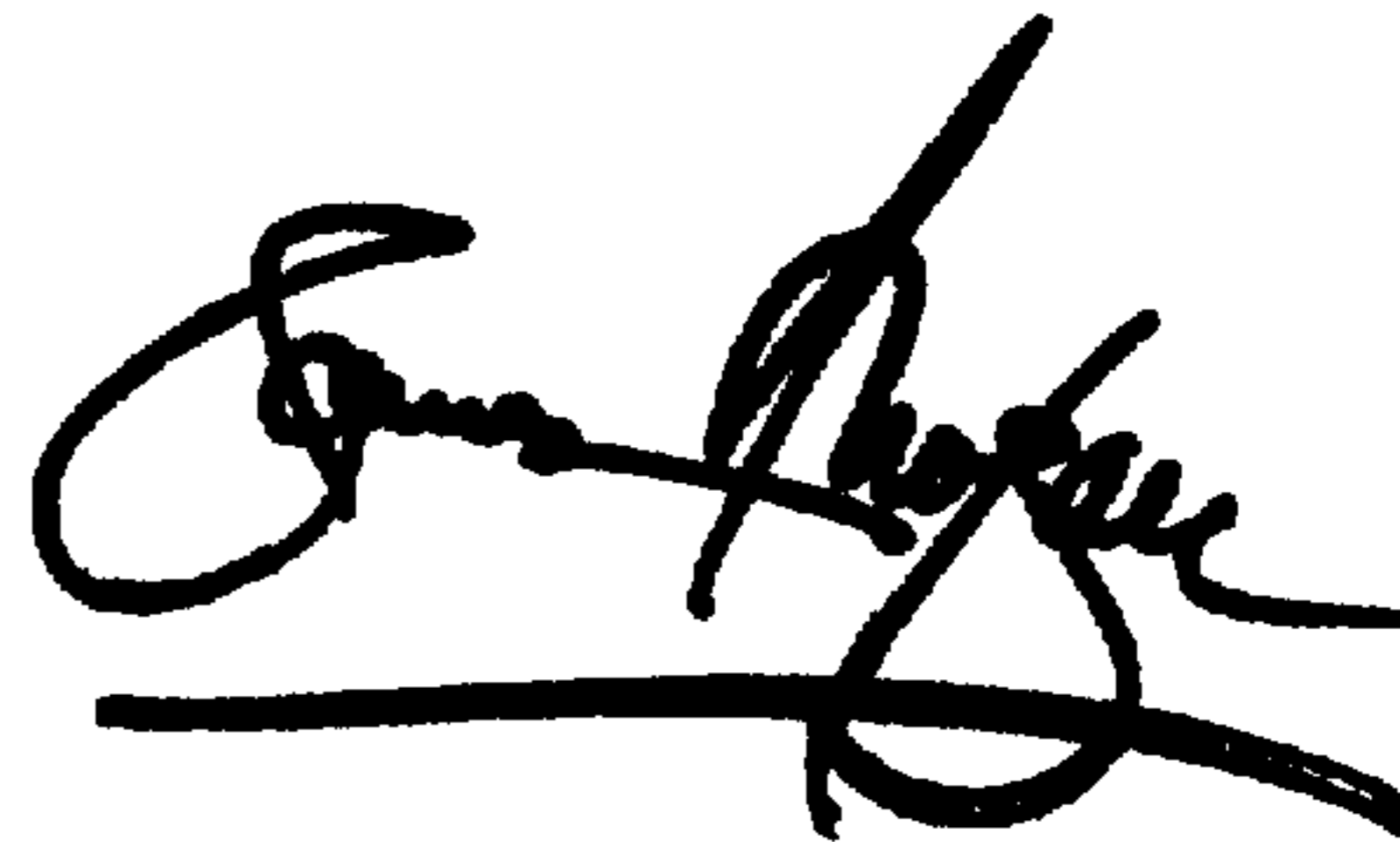
Title page,

Item [73], Assignee, change, "Iron Grip Barbell Company Company, Inc." to -- Iron Grip Barbell Company, Inc. --

Signed and Sealed this

Twenty-sixth Day of March, 2002

Attest:



Attesting Officer

JAMES E. ROGAN  
Director of the United States Patent and Trademark Office