



US00D441811S

(12) **United States Design Patent**
Clarke

(10) **Patent No.:** **US D441,811 S**

(45) **Date of Patent:** **** May 8, 2001**

(54) **EXERCISE APPARATUS**

(76) **Inventor:** **Pablo Clarke**, 3802 Clarendon Rd.,
Brooklyn, NY (US) 11203

(**) **Term:** **14 Years**

(21) **Appl. No.:** **29/125,461**

(22) **Filed:** **Jun. 23, 2000**

(51) **LOC (7) Cl.** **21-02**

(52) **U.S. Cl.** **D21/666; D21/690**

(58) **Field of Search** D21/662, 663,
D21/664, 665, 666, 667; 482/51, 57, 54

(56) **References Cited**

U.S. PATENT DOCUMENTS

- D. 210,083 * 2/1968 Werner D21/666
- D. 211,478 * 6/1968 Margolies D21/666
- D. 362,700 * 9/1995 Breibart et al. D21/690
- D. 365,860 * 1/1996 Giger D21/690
- 4,538,804 * 9/1985 Zibell 482/57
- 4,762,363 * 8/1988 Hart 482/57

4,974,840 * 12/1990 Welch 482/57

* cited by examiner

Primary Examiner—Philip S. Hyder

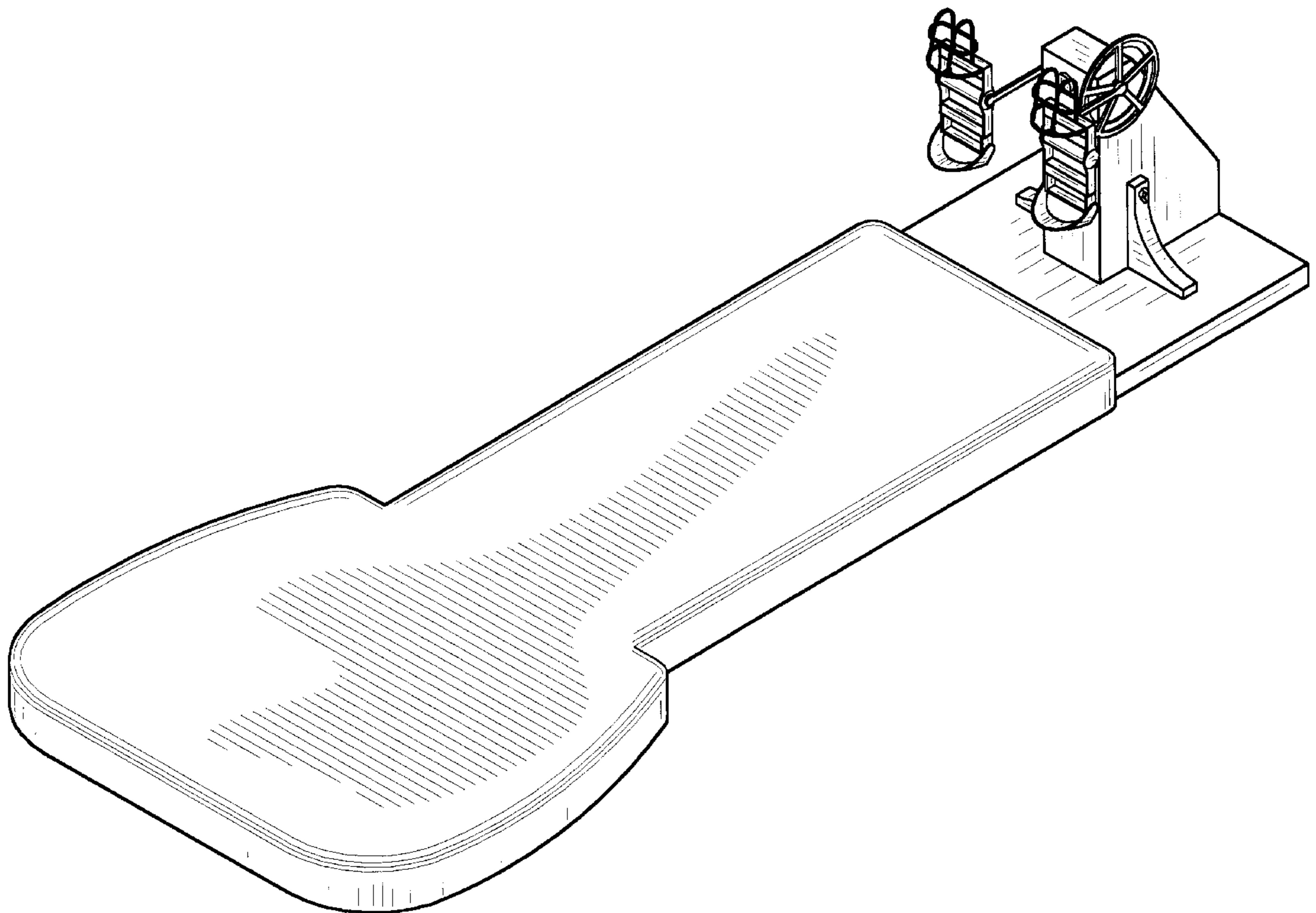
(57) **CLAIM**

The ornamental design for an exercise apparatus, as shown and described.

DESCRIPTION

FIG. 1 is a front elevational view of the exercise apparatus of the present invention;
 FIG. 2 is a rear elevational view of the exercise apparatus of FIG. 1;
 FIG. 3 is a right elevational view of the exercise apparatus of FIG. 1;
 FIG. 4 is a left side elevational view of the exercise apparatus of FIG. 1;
 FIG. 5 is a top plan view of the exercise apparatus of FIG. 1;
 FIG. 6 is a bottom plan view of the exercise apparatus of FIG. 1; and,
 FIG. 7 is a perspective view of the exercise apparatus of FIG. 1.

1 Claim, 5 Drawing Sheets



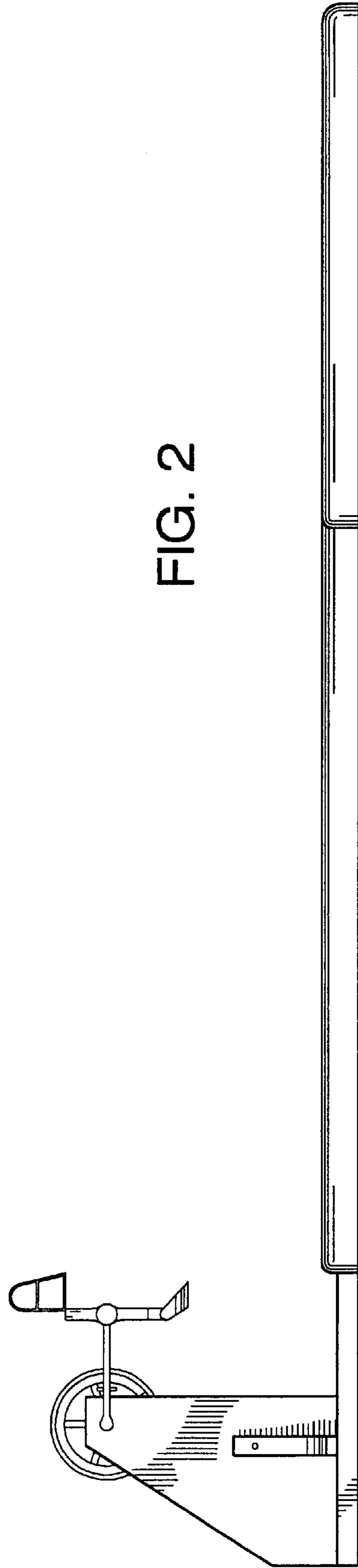
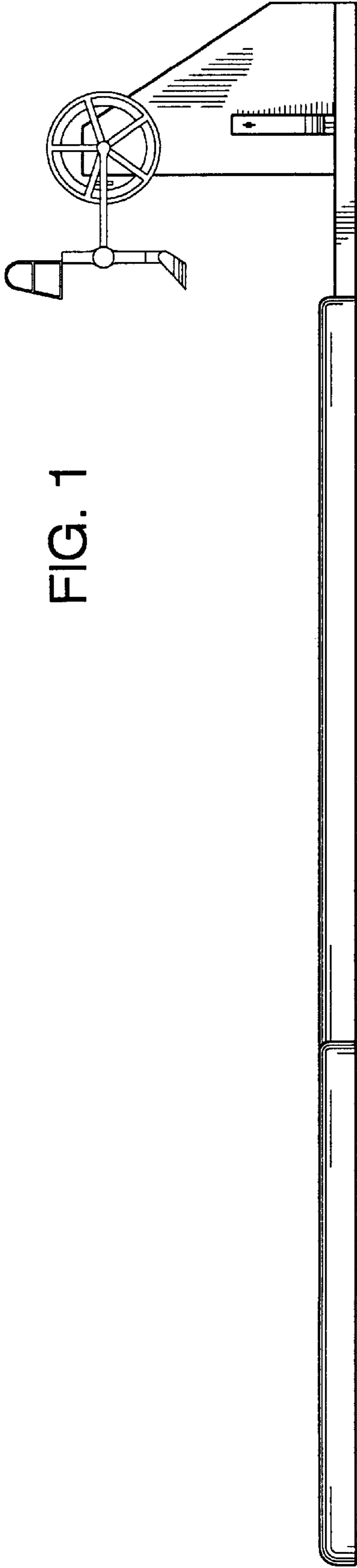


FIG. 3

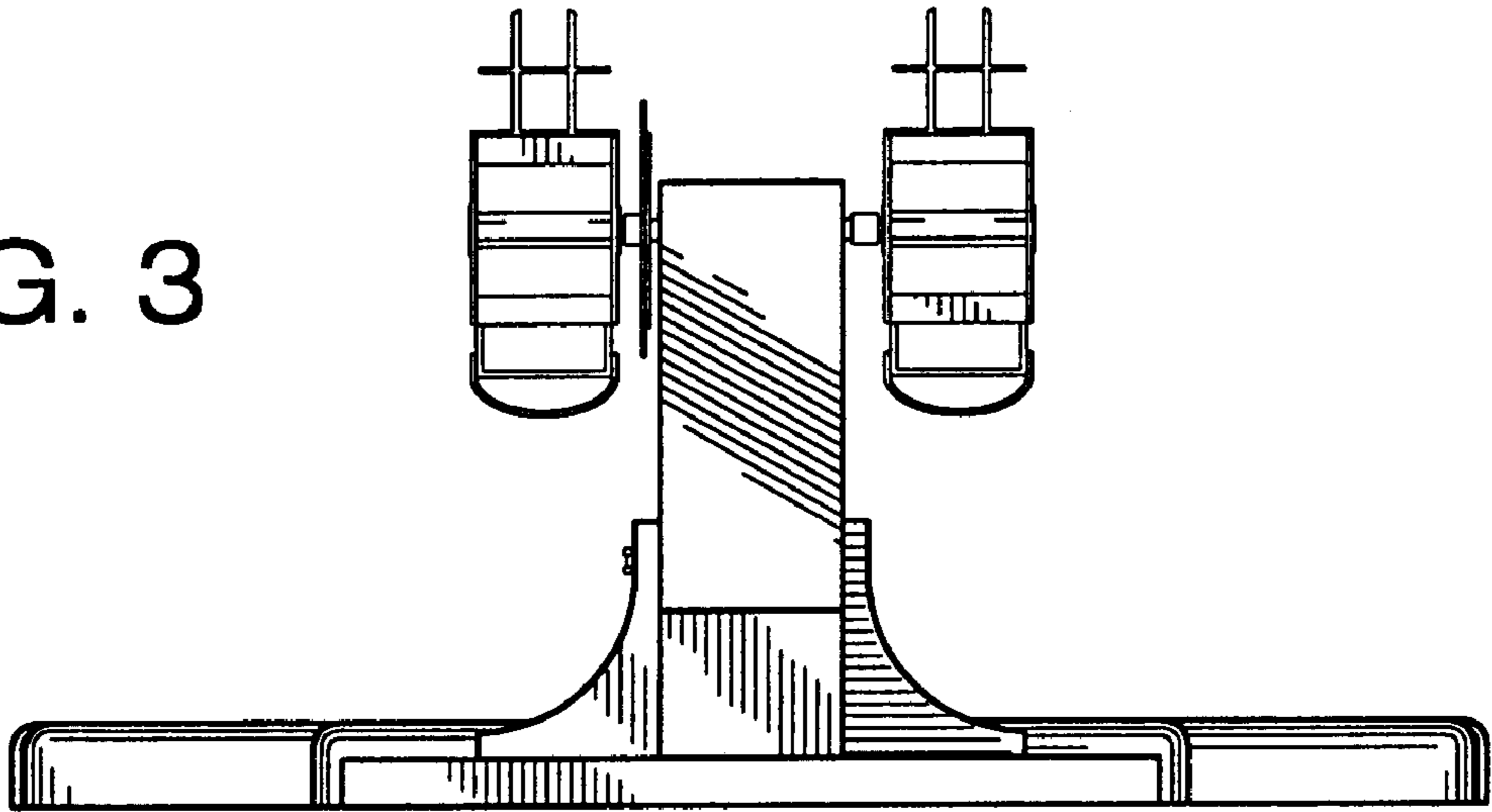


FIG. 4

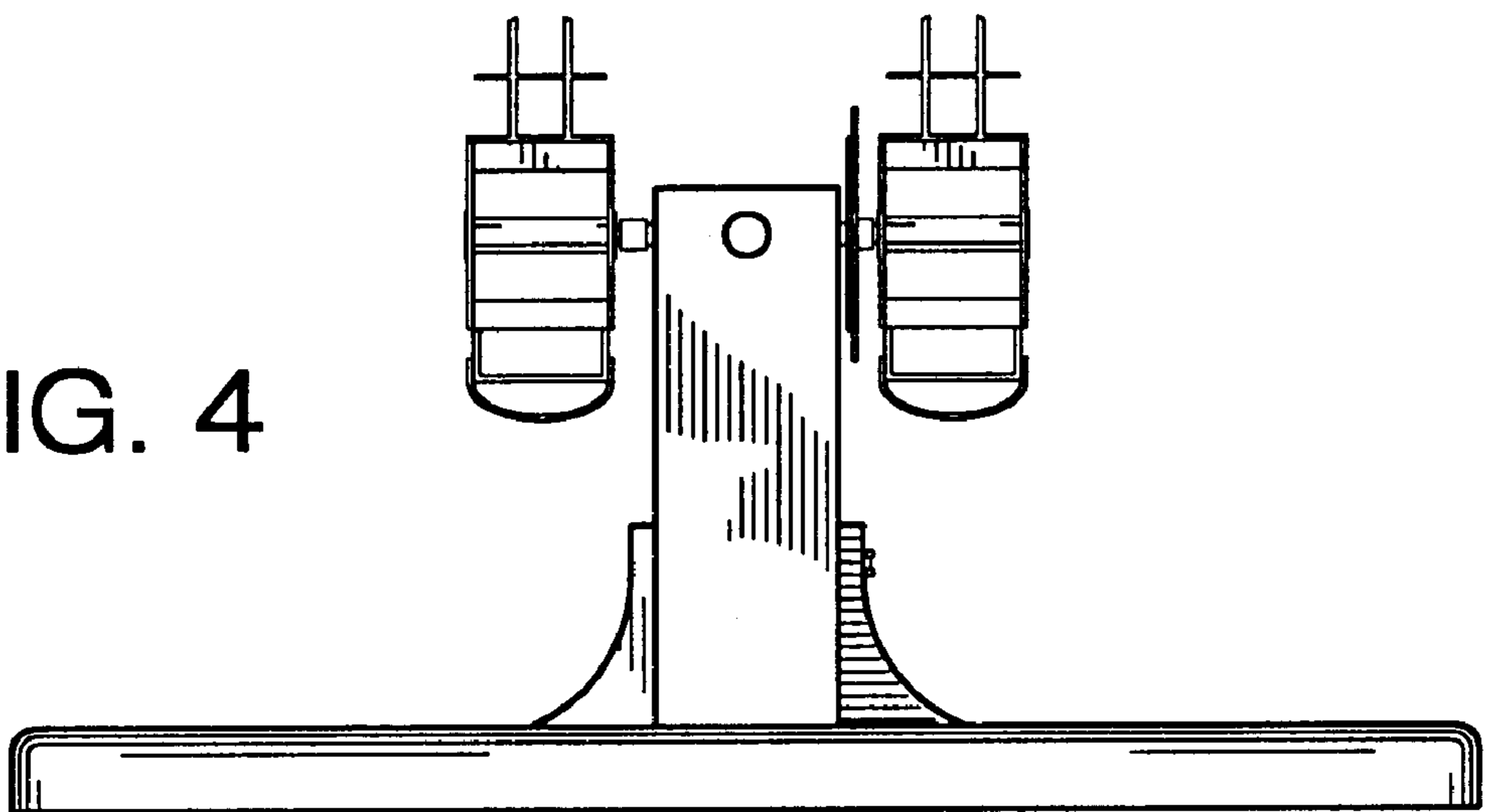


FIG. 5

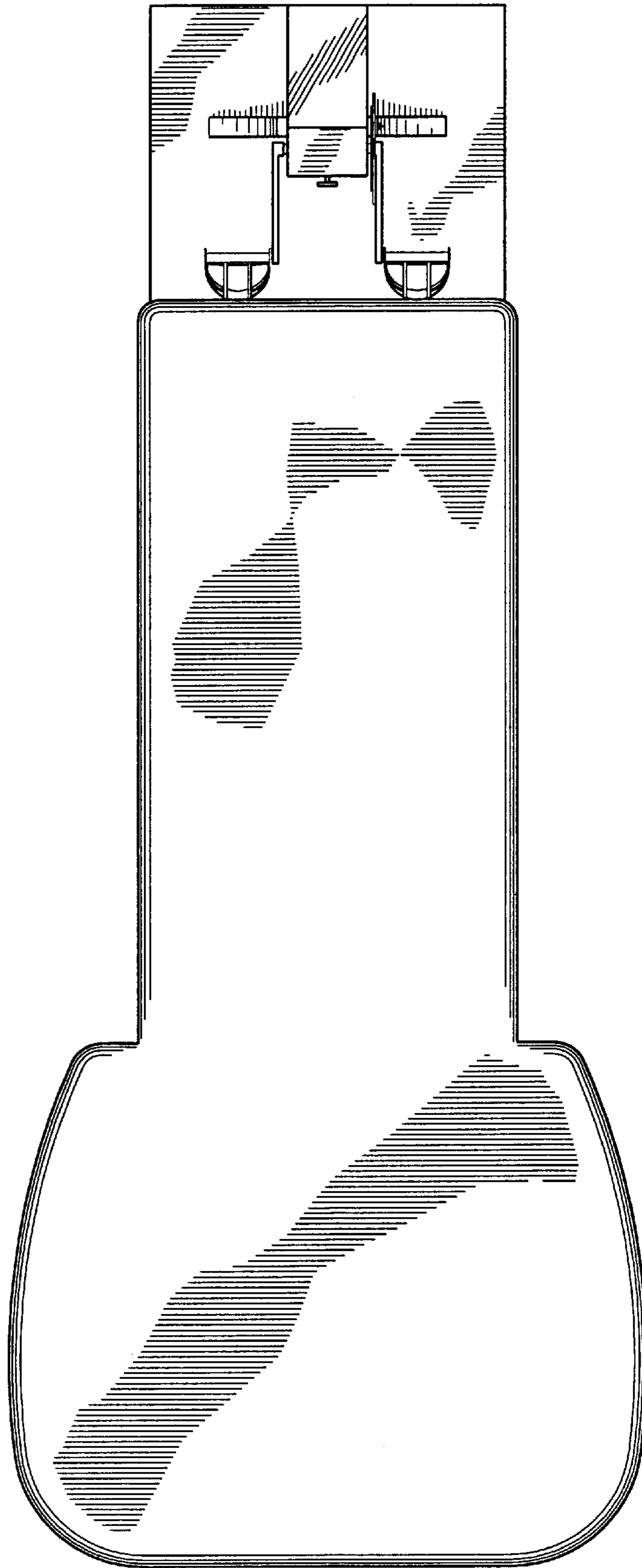
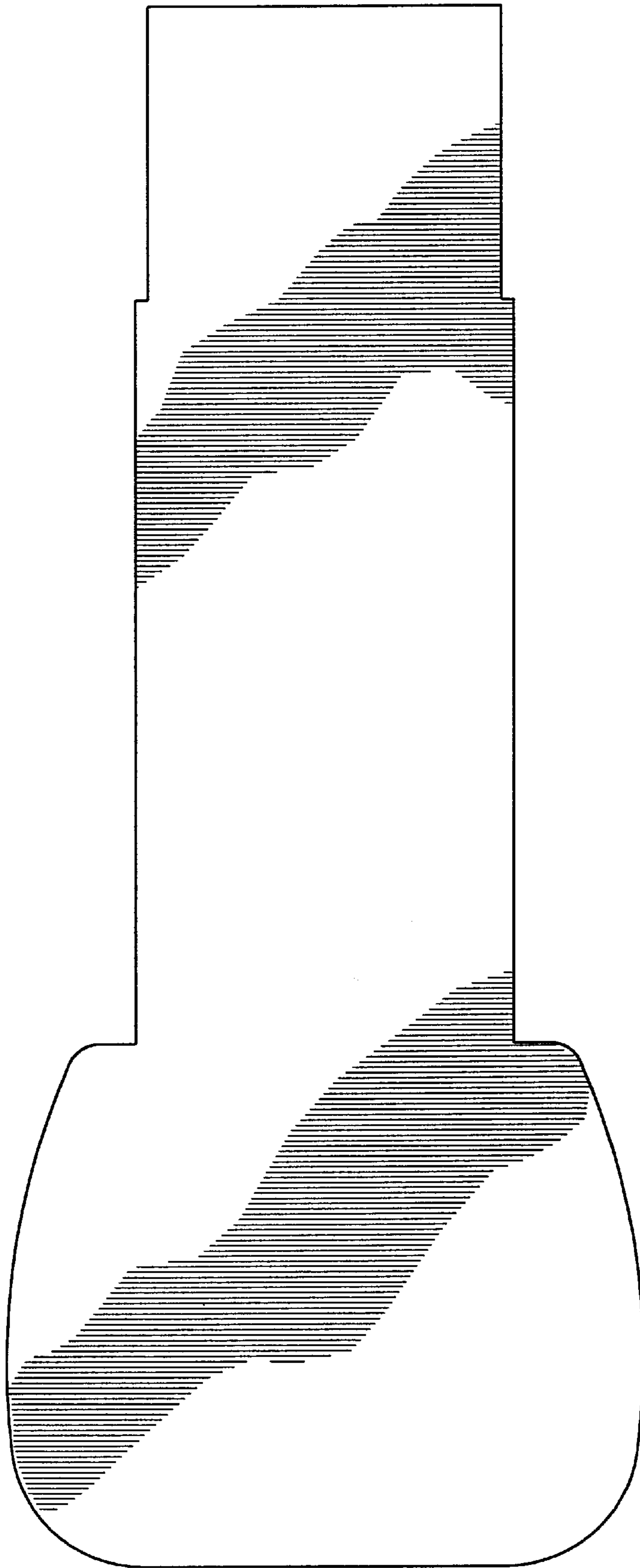


FIG. 6



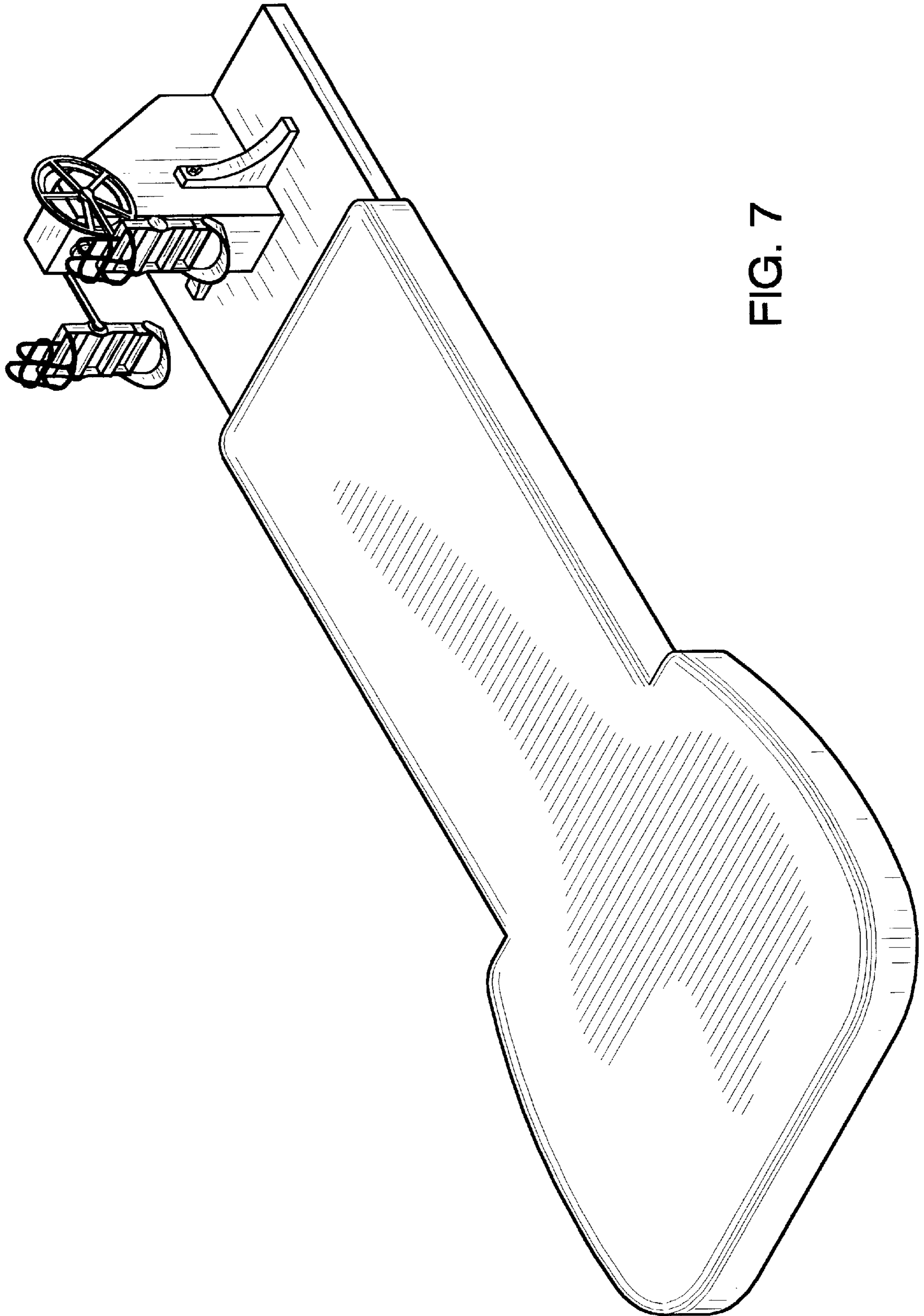


FIG. 7