



US00D441807S

(12) **United States Design Patent**  
**Newcomb et al.**

(10) **Patent No.:** **US D441,807 S**

(45) **Date of Patent:** **\*\* May 8, 2001**

(54) **NOVELTY ITEM—HEART WAND**

(76) Inventors: **Corky F. Newcomb**, P.O. Box 468,  
Mirror Lake, NH (US) 03853; **Kenneth  
Strusz**, 146 Barger St., Putnam Valley,  
NY (US) 10579

(\*\*) Term: **14 Years**

(21) Appl. No.: **29/122,973**

(22) Filed: **May 8, 2000**

(51) **LOC (7) Cl.** ..... **21-01**

(52) **U.S. Cl.** ..... **D21/398; D21/811**

(58) **Field of Search** ..... D21/398, 400,  
D21/811, 812; D10/46, 56, 101; 324/10;  
446/15, 21

(56) **References Cited**

**U.S. PATENT DOCUMENTS**

D. 193,489	*	8/1962	Sarah	.....	D10/46
D. 215,618	*	10/1969	MacCotter	.....	D10/46
D. 220,918	*	6/1971	Klamer	.....	D10/46
D. 245,233	*	8/1977	Wolfe	.....	D10/46
D. 322,995	*	1/1992	Clark	.....	D21/398
D. 352,073	*	11/1994	Rissman	.....	D21/398
D. 354,317	*	1/1995	Prothro	.....	D21/400
3,918,708		11/1975	Augusta	.	
4,047,325		9/1977	Yamazaki	.	
4,106,079		8/1978	Drury	.	
4,600,974		7/1986	Lew et al.	.	
4,750,745		6/1988	Benham	.	
4,830,364		5/1989	Wexler	.	
4,924,358		5/1990	Von Heck	.	
5,081,568		1/1992	Dong et al.	.	
5,212,333		5/1993	Aryee	.	
5,827,108		10/1998	Spector	.	
5,865,524		2/1999	Campman	.	

\* cited by examiner

*Primary Examiner*—Dominic Simone

(74) *Attorney, Agent, or Firm*—Ernest V. Linek; Banner & Witcoff, Ltd.

(57) **CLAIM**

The ornamental design for a novelty item—heart wand, as shown and described.

**DESCRIPTION**

FIG. 1 is a perspective view of a novelty item—heart wand showing the new design with the wand portion fully retracted;

FIG. 2 is front elevational view of the FIG. 1 novelty item—heart wand;

FIG. 3 is a left side view of the FIG. 1 novelty item—heart wand, the right side view being substantially identical thereto;

FIG. 4 is a bottom plan view of the FIG. 1 novelty item—heart wand;

FIG. 5 is a top plan view of the FIG. 1 novelty item—heart wand;

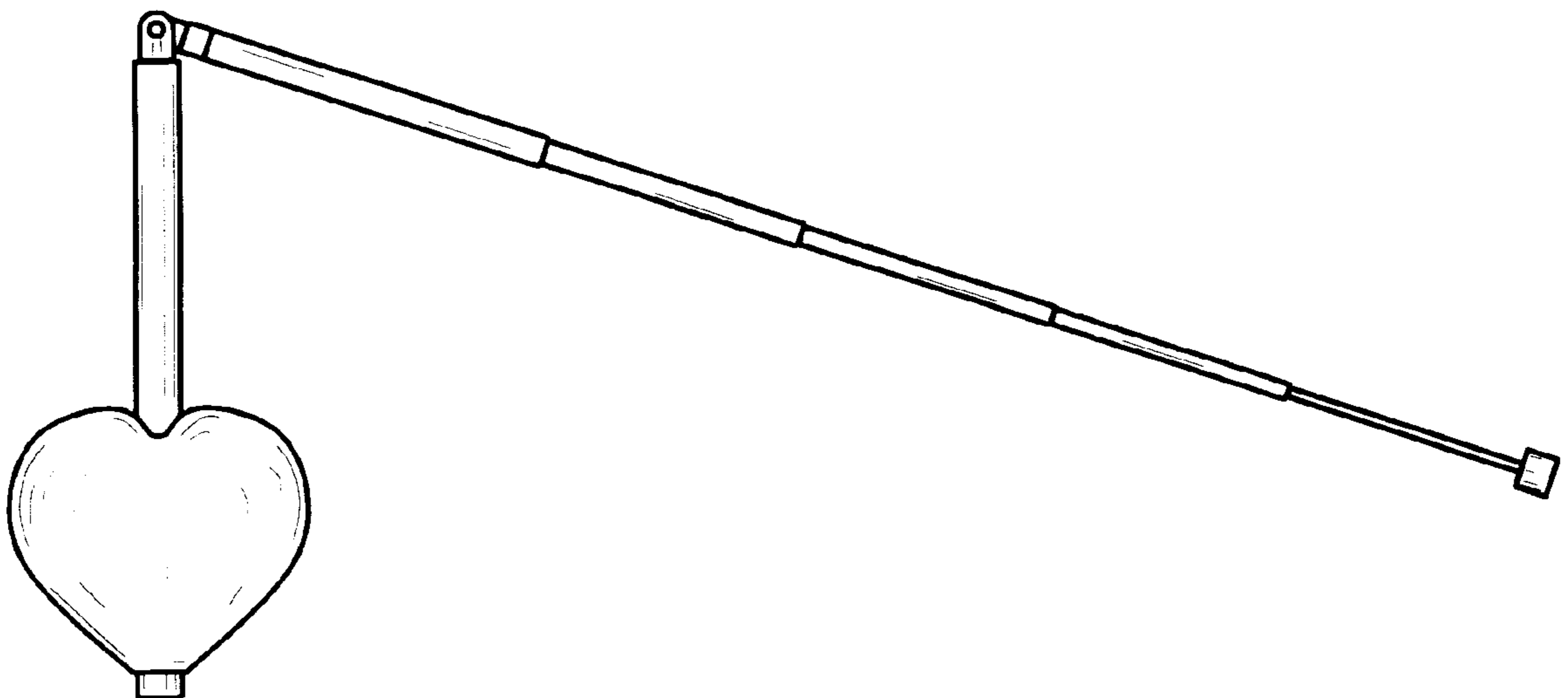
FIG. 6 is a front elevational view of the novelty item—heart wand, showing the wand in a fully extended position;

FIG. 7 is a front elevational view of the novelty item—heart wand, showing alternate positions of the heart element and the wand element;

FIG. 8 is a front elevational view of the novelty item—heart wand, showing alternate positions of the heart element and the wand element; and,

FIG. 9 is a front elevational view of the FIG. 1 novelty item—heart wand with the wand element in a partially extended position.

**1 Claim, 1 Drawing Sheet**



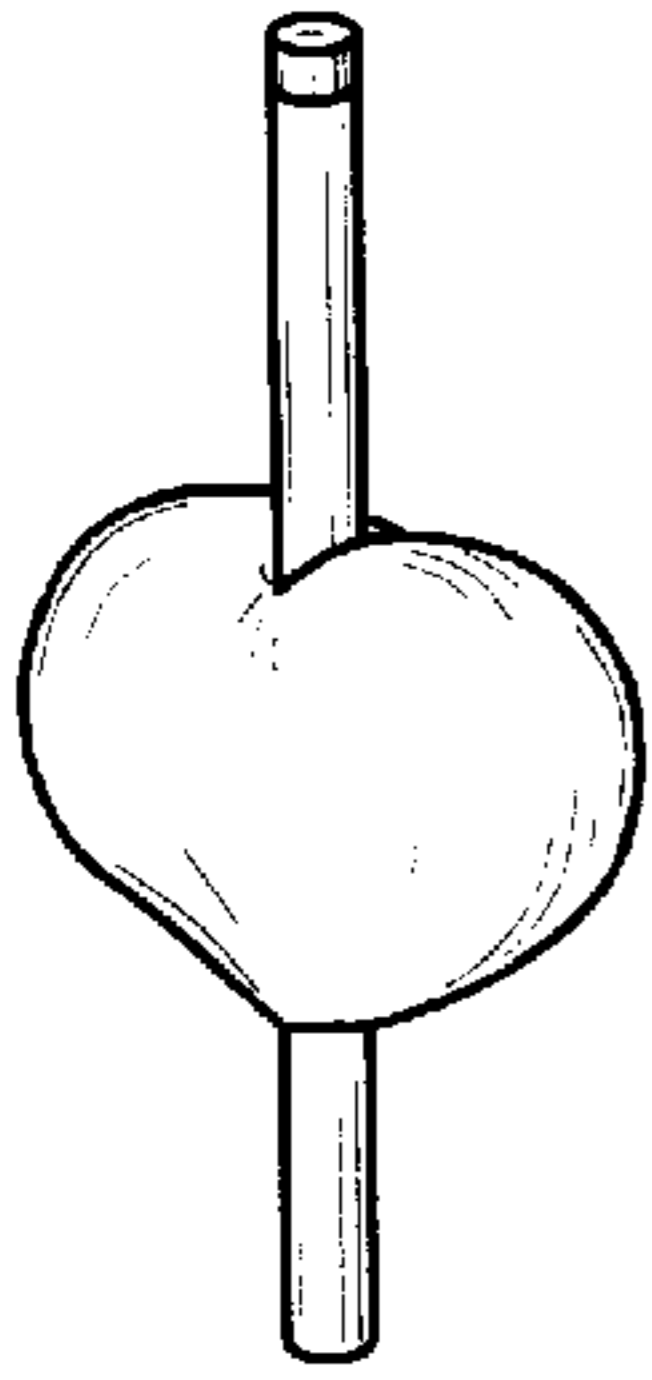


FIG. 1

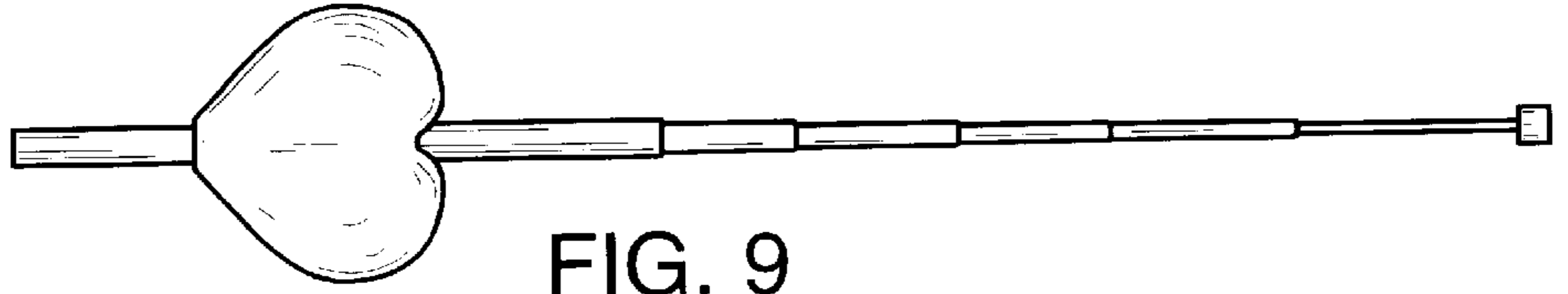


FIG. 9

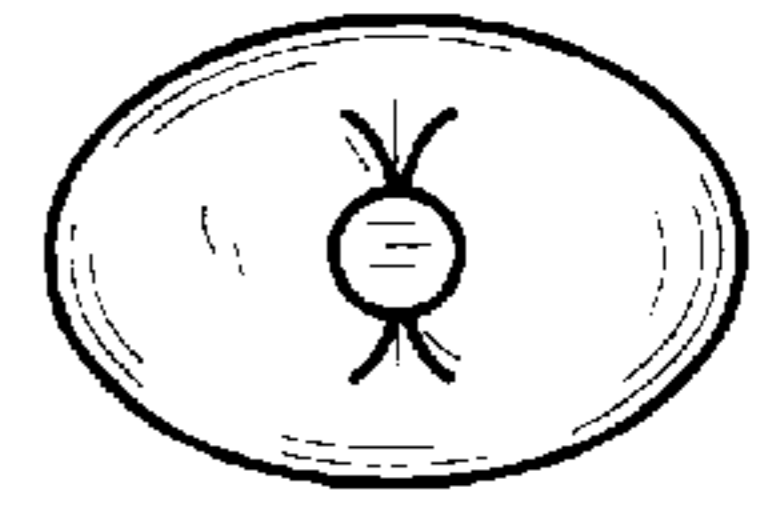


FIG. 5

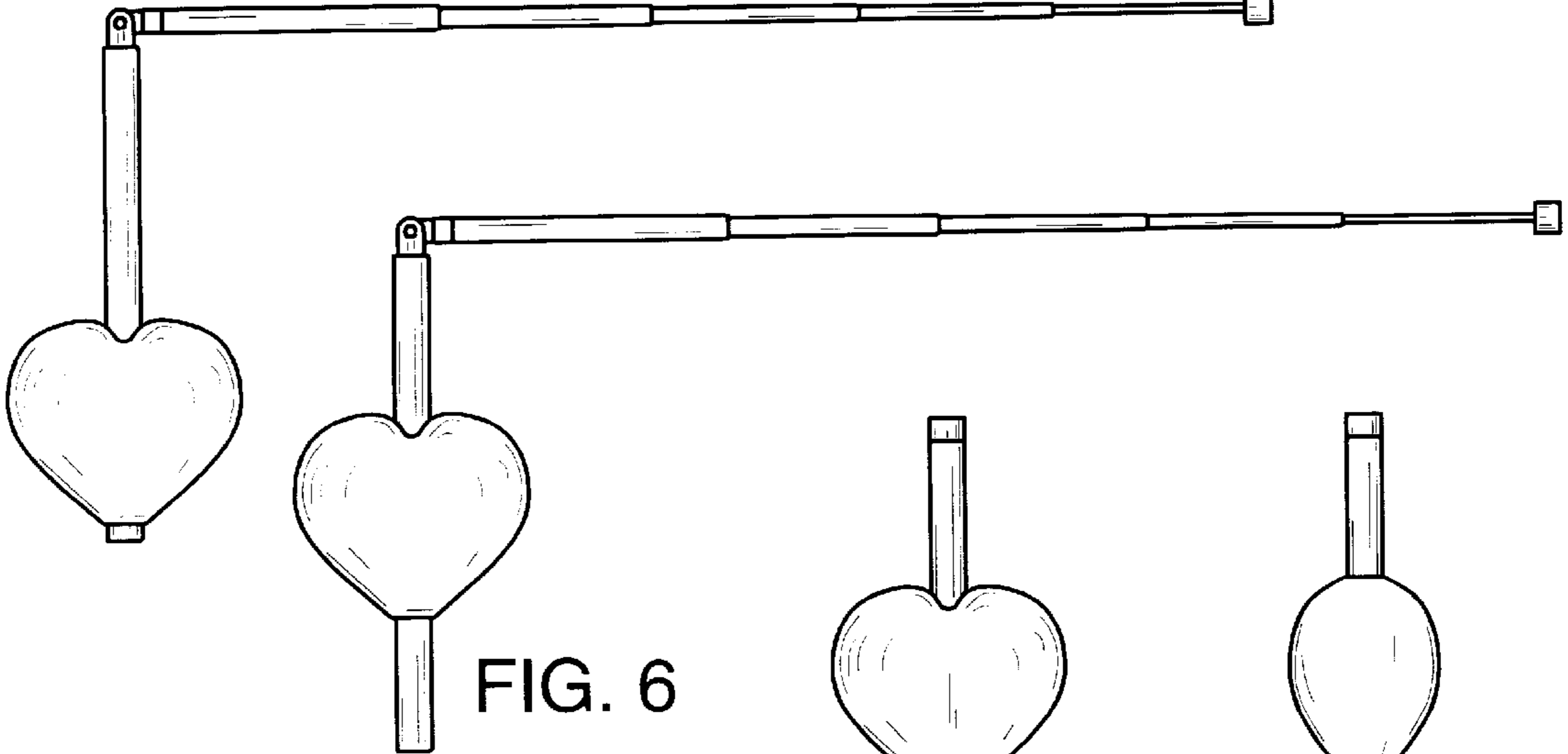


FIG. 8

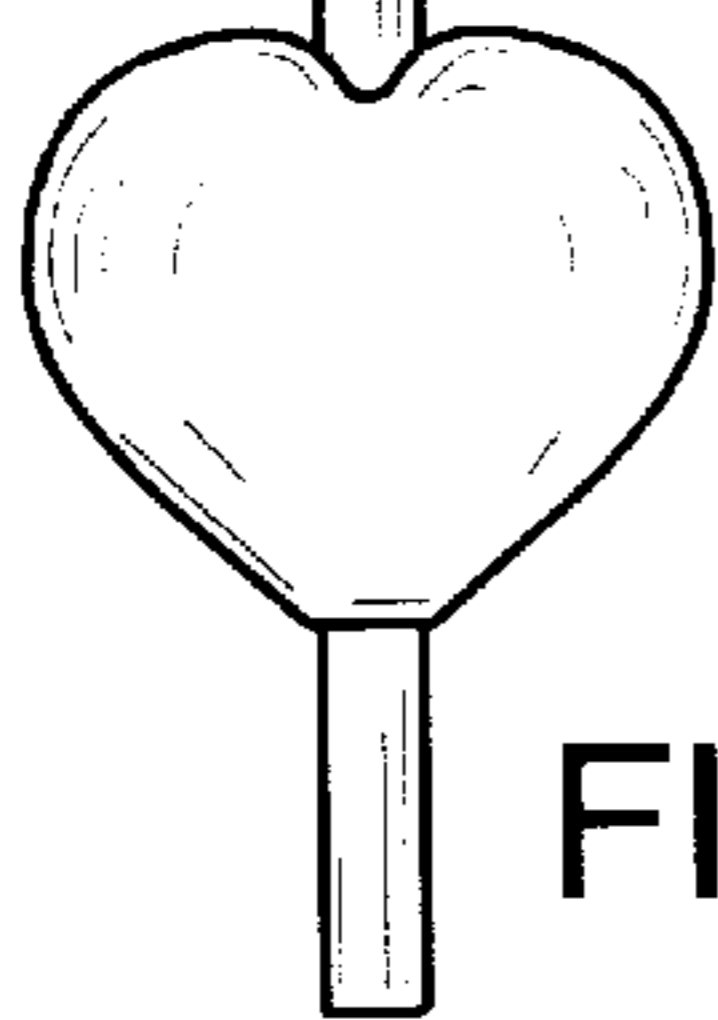


FIG. 6

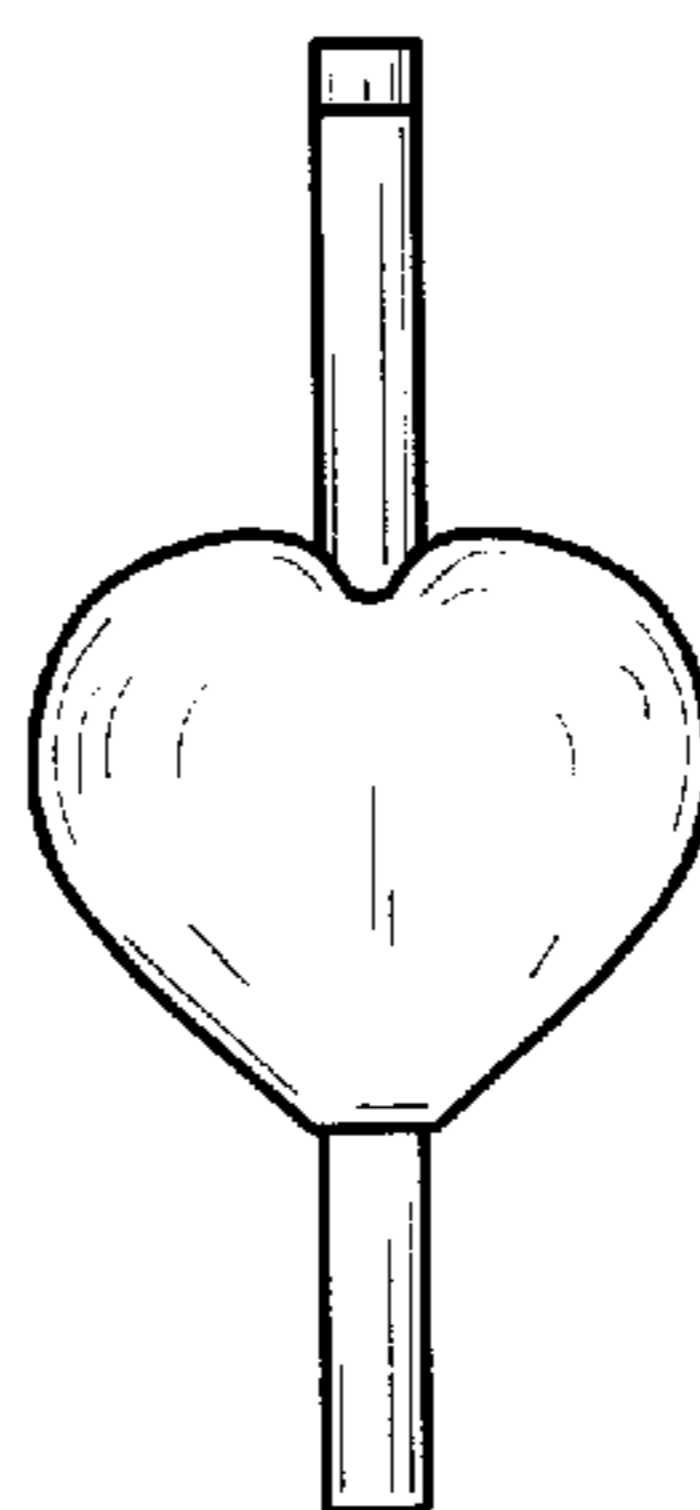


FIG. 2

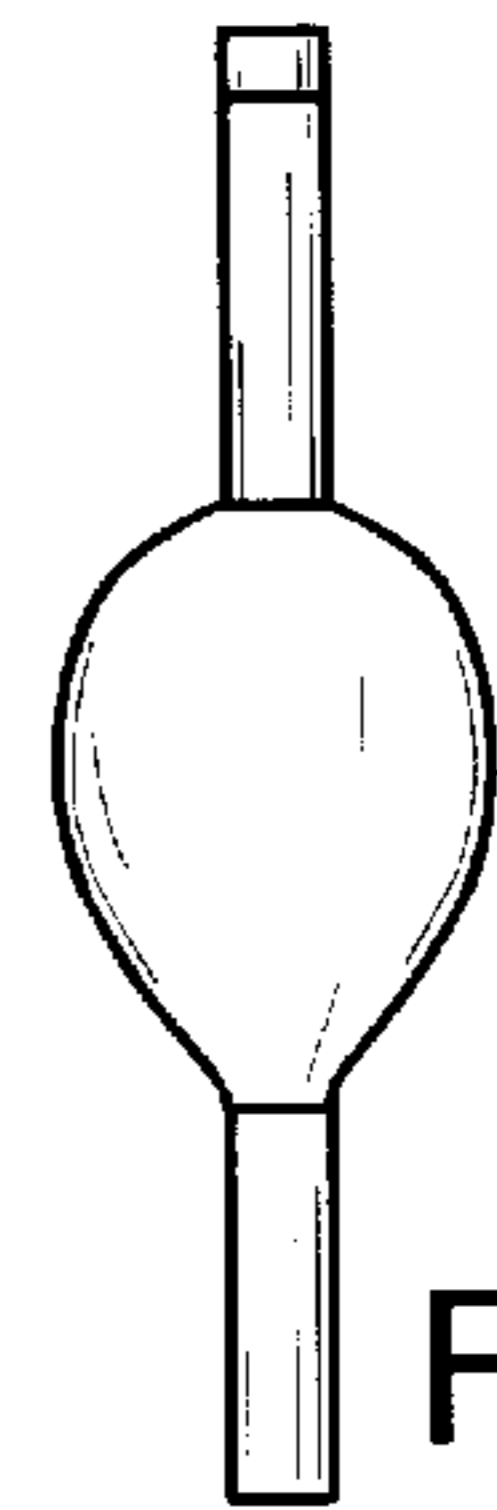


FIG. 3

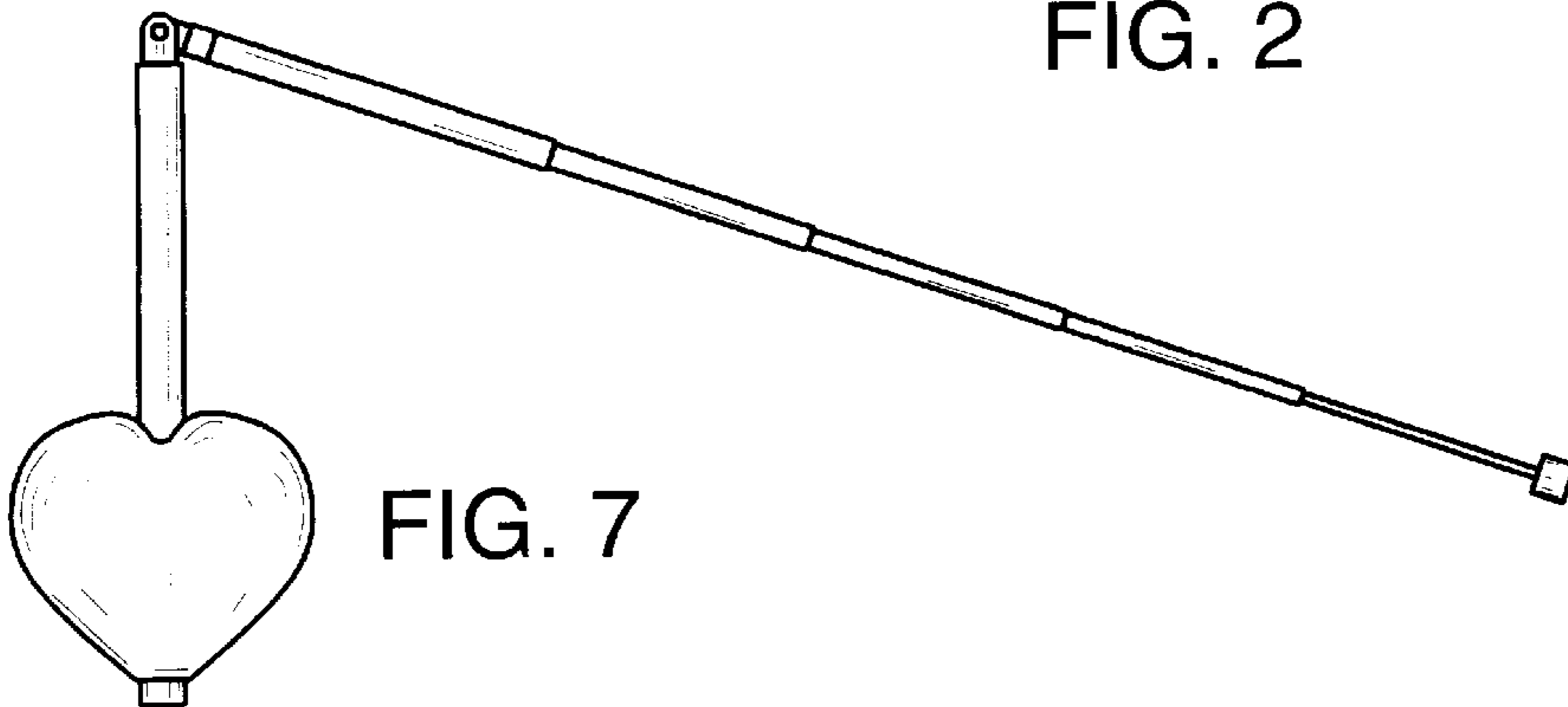


FIG. 7

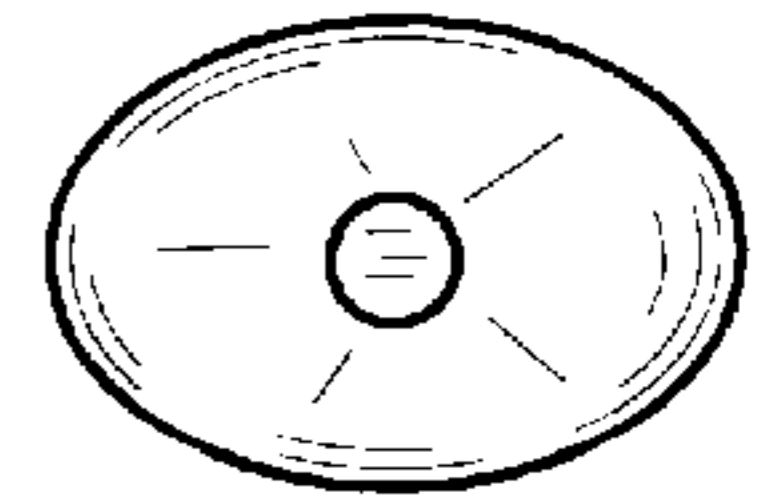


FIG. 4