



US00D441797S

(12) **United States Design Patent**
Irie

(10) **Patent No.:** **US D441,797 S**

(45) **Date of Patent:** **** May 8, 2001**

(54) **COIN DOOR ASSEMBLY WITH CARD PROCESSOR**

D. 432,286 * 10/2000 Irie D20/9 X
4,509,631 4/1985 Kim .
5,284,235 2/1994 Tanaka .

(75) Inventor: **Yasuo Irie**, Iwatuki (JP)

OTHER PUBLICATIONS

(73) Assignee: **Asahi Seiko Kabushiki Kaisha** (JP)

Asahi Seiko, 1997, Coin Handling Equipment, General Catalog No. 2809E.

(**) Term: **14 Years**

* cited by examiner

(21) Appl. No.: **29/112,126**

Primary Examiner—Brian N. Vinson

(22) Filed: **Oct. 8, 1999**

(74) *Attorney, Agent, or Firm*—McGlew and Tuttle, P.C.

(30) **Foreign Application Priority Data**

(57) **CLAIM**

Apr. 9, 1999 (FR) 11-9069

The ornamental design for a coin door assembly with card processor, as shown and described.

(51) **LOC (7) Cl.** **20-09**

DESCRIPTION

(52) **U.S. Cl.** **D20/9**

(58) **Field of Search** D13/162, 163,
D13/199; D20/8, 9; 194/242, 244, 344,
350; D99/34

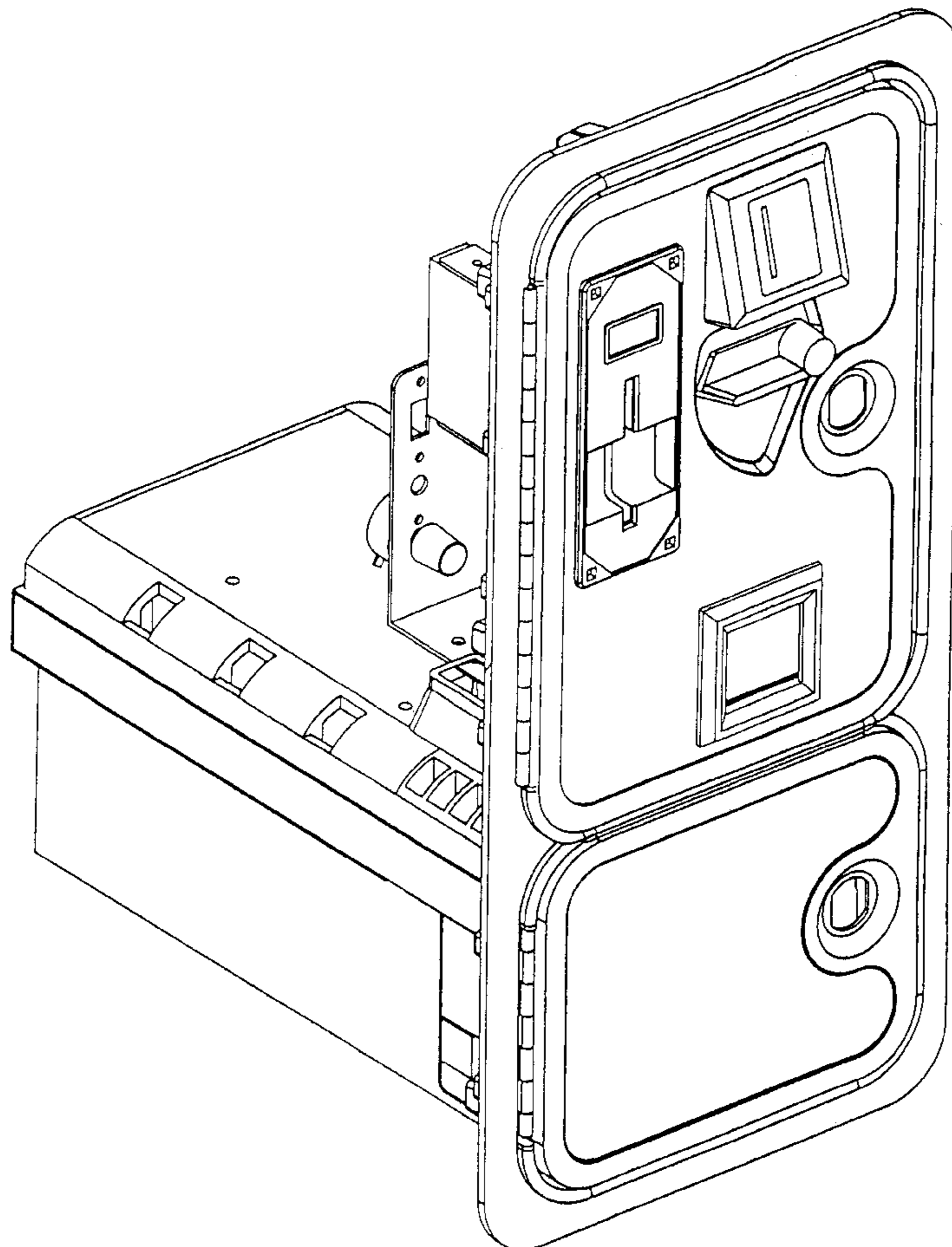
FIG. 1 is a perspective view of my coin door assembly with card processor design;
FIG. 2 is a front view thereof;
FIG. 3 is a right side view thereof;
FIG. 4 is a left side view thereof;
FIG. 5 is a rear view thereof;
FIG. 6 is a top view thereof; and,
FIG. 7 is a bottom view thereof.

(56) **References Cited**

U.S. PATENT DOCUMENTS

D. 351,421 10/1994 Abe .
D. 400,929 * 11/1998 Tanaka D20/9
D. 401,283 11/1998 Tanaka .

1 Claim, 6 Drawing Sheets



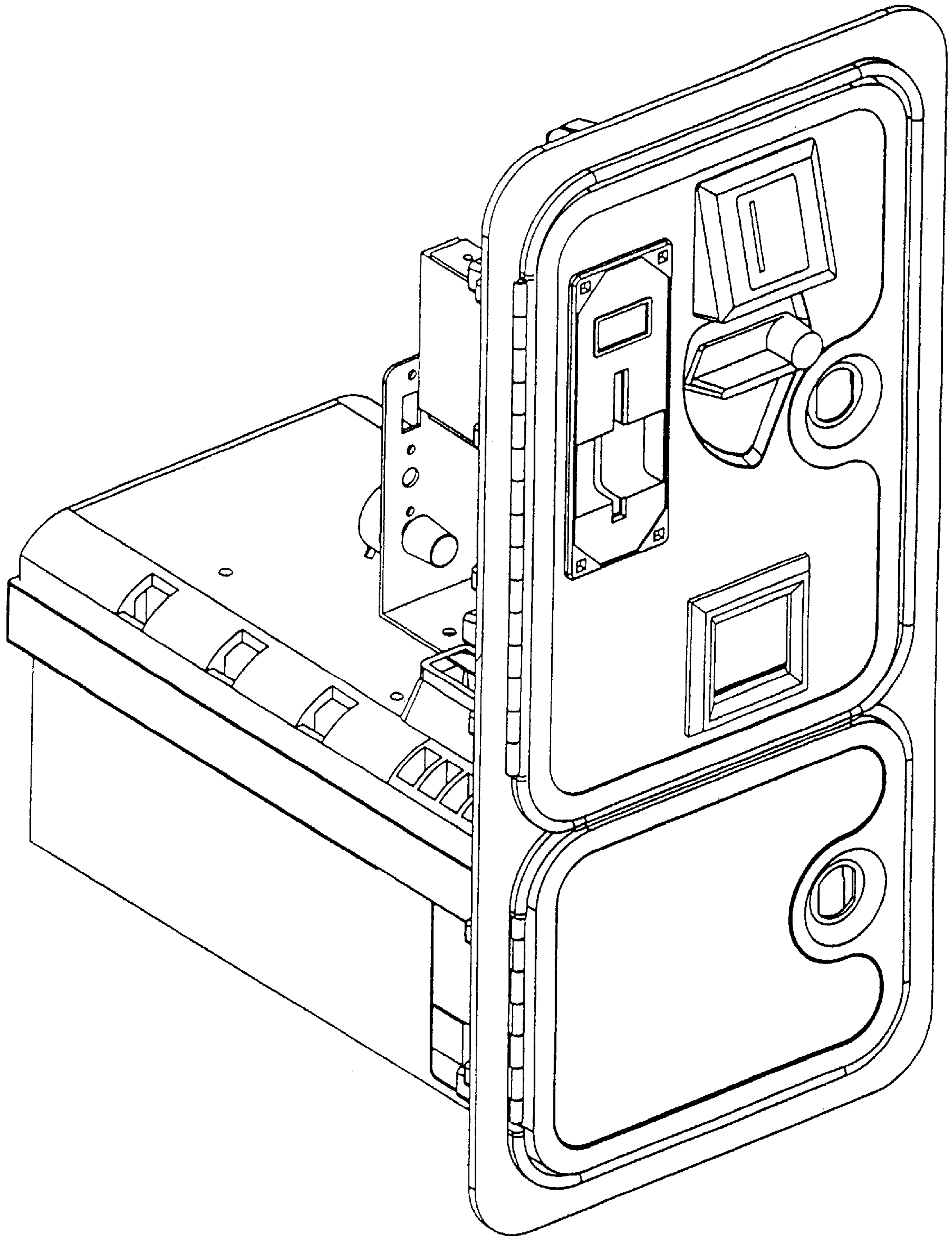


FIG.1

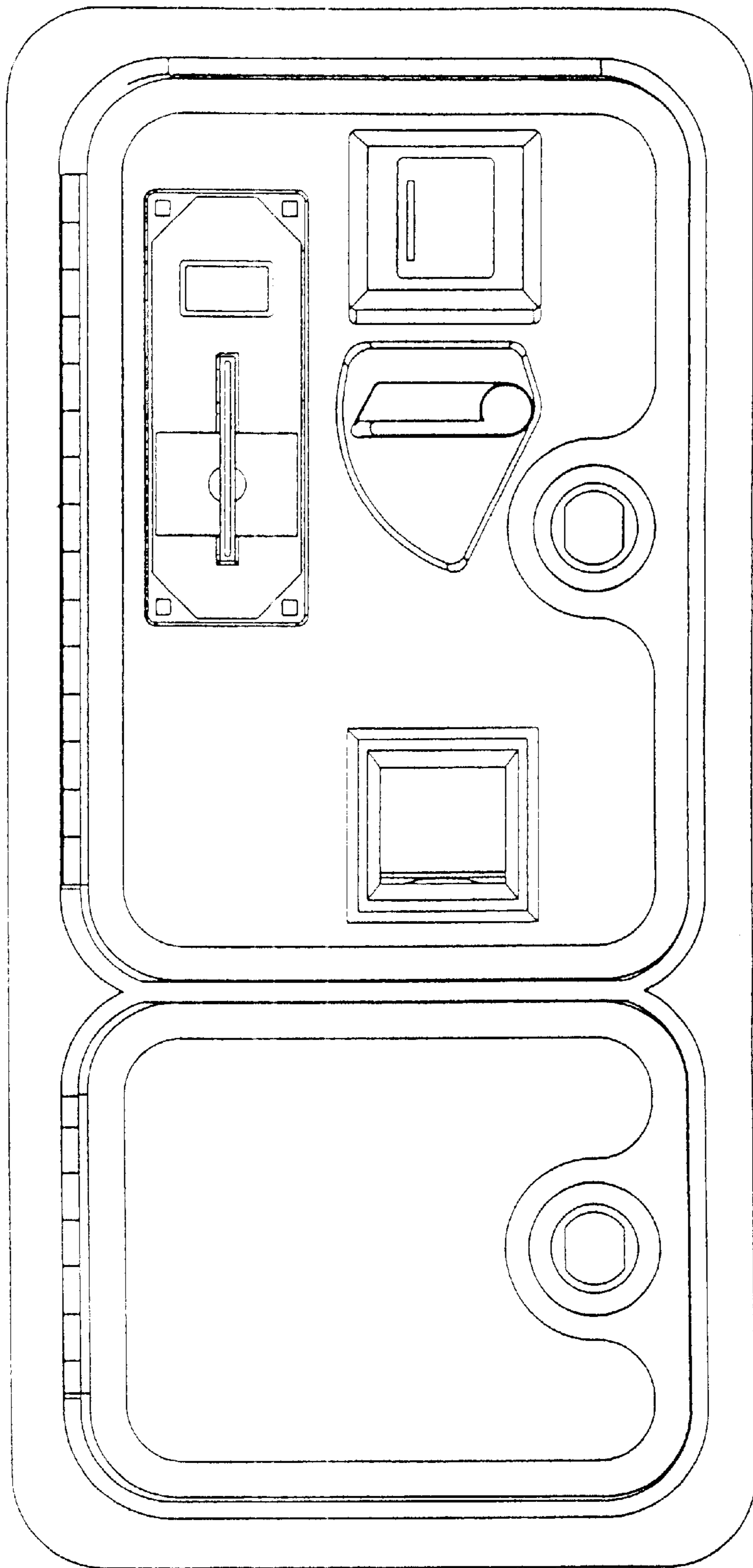


FIG.2

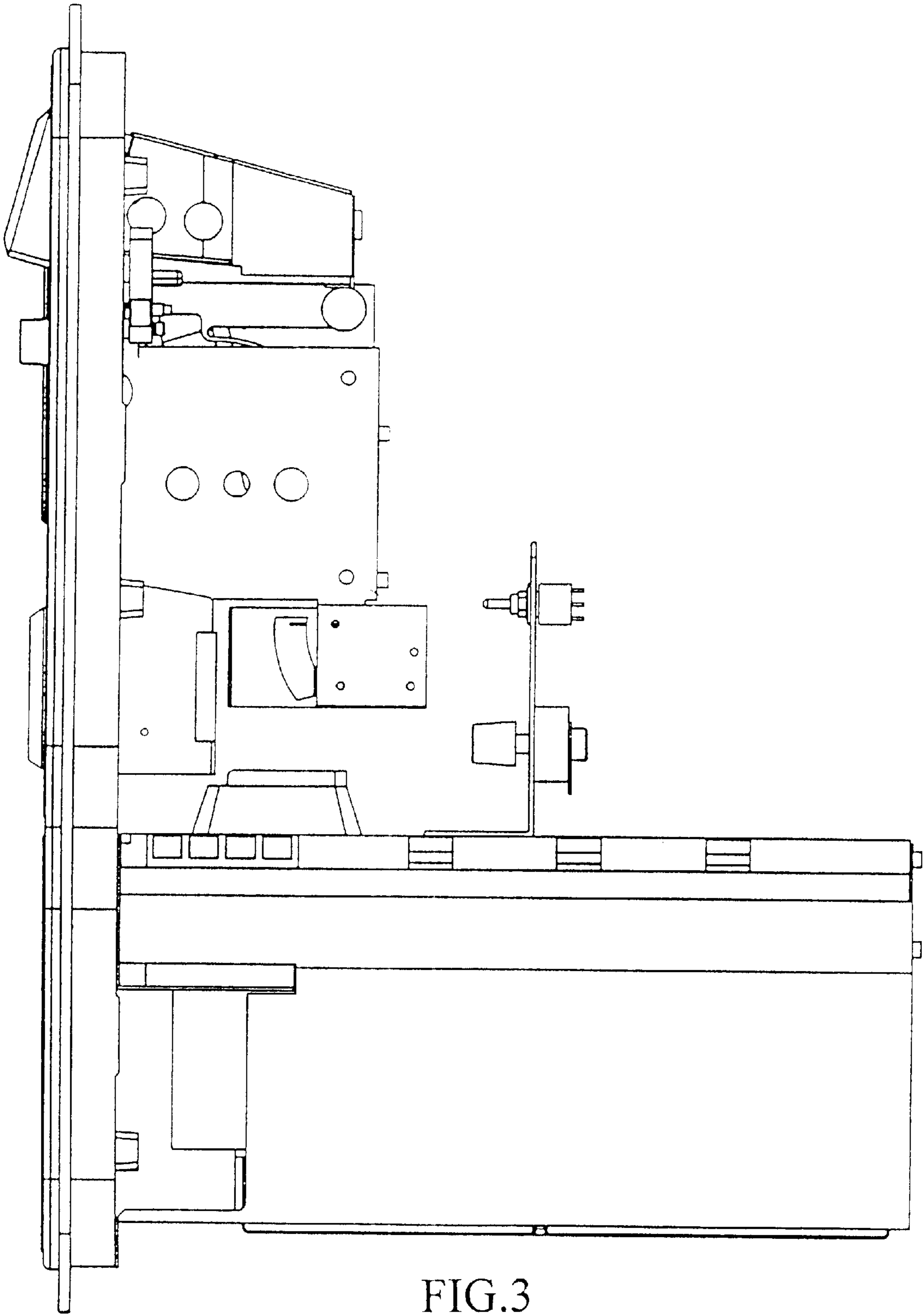


FIG.3

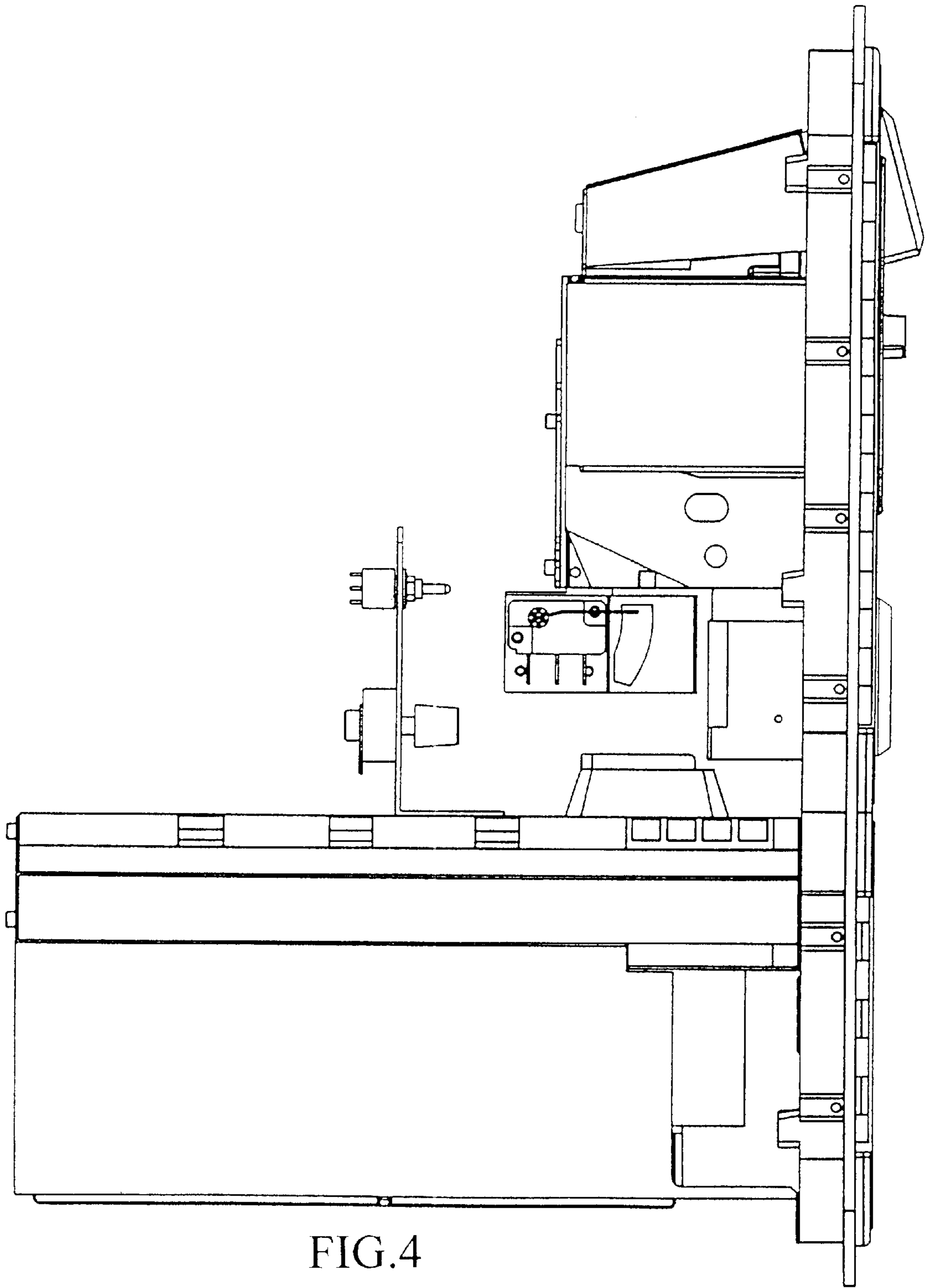


FIG. 4

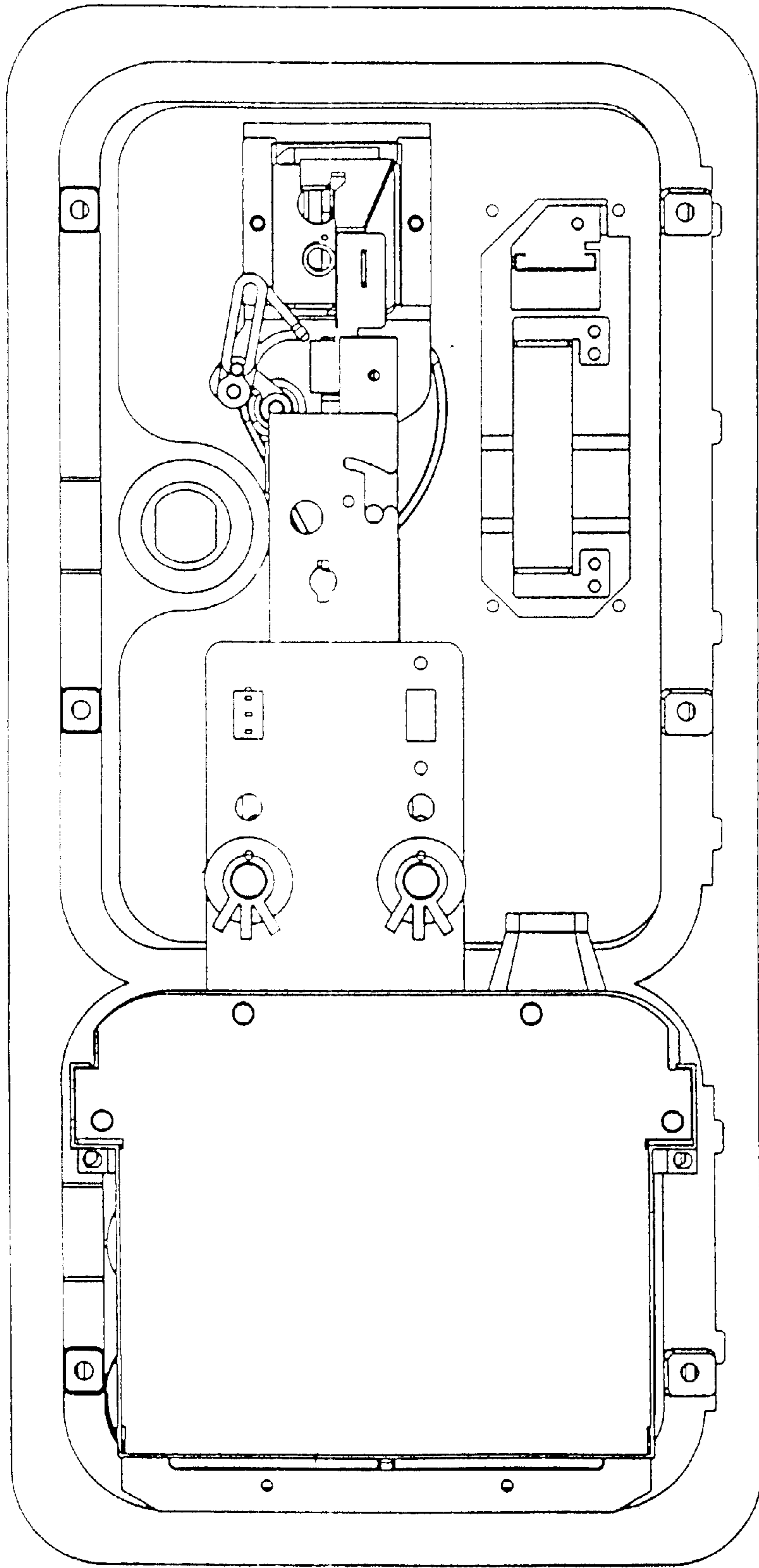


FIG.5

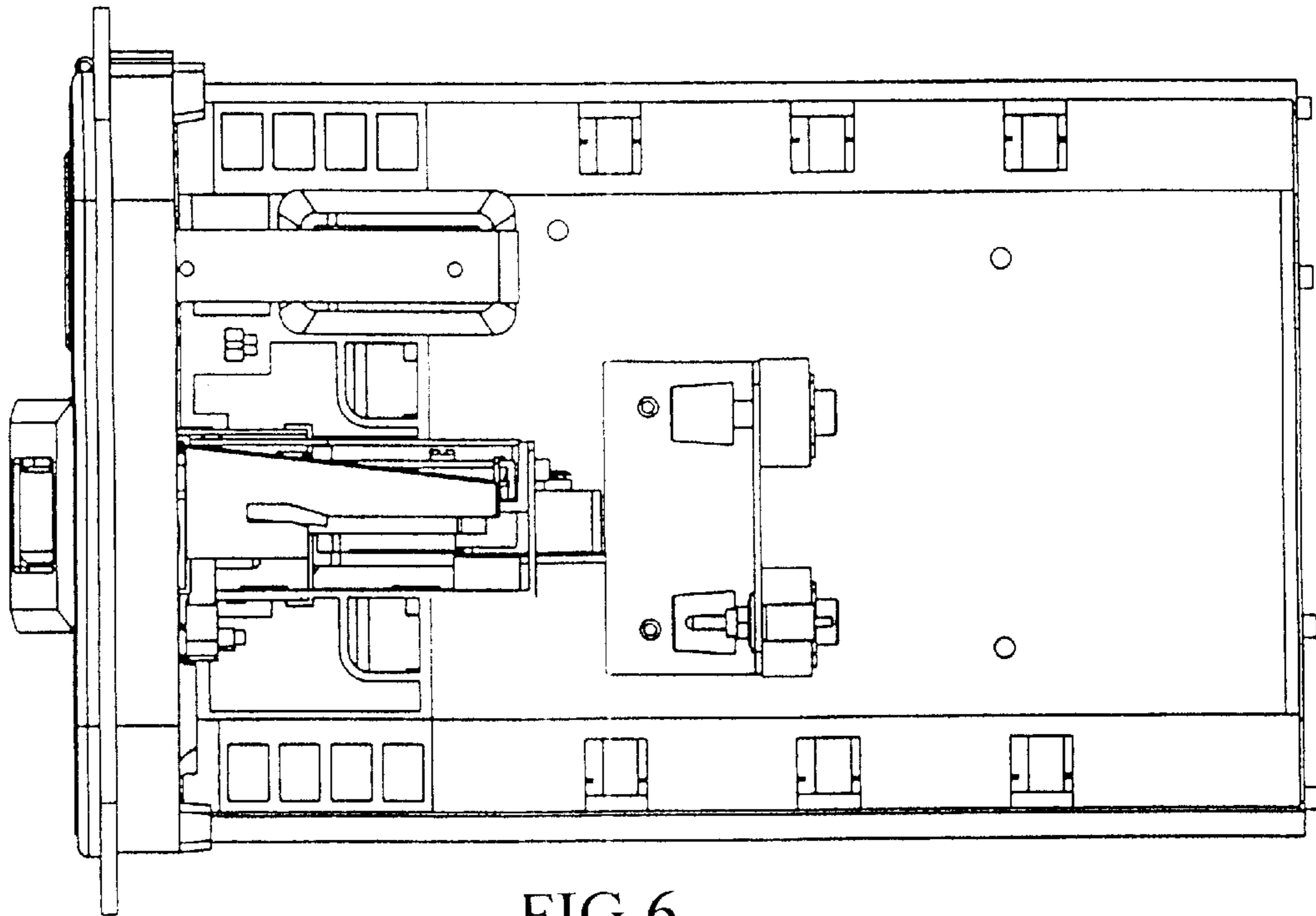


FIG. 6

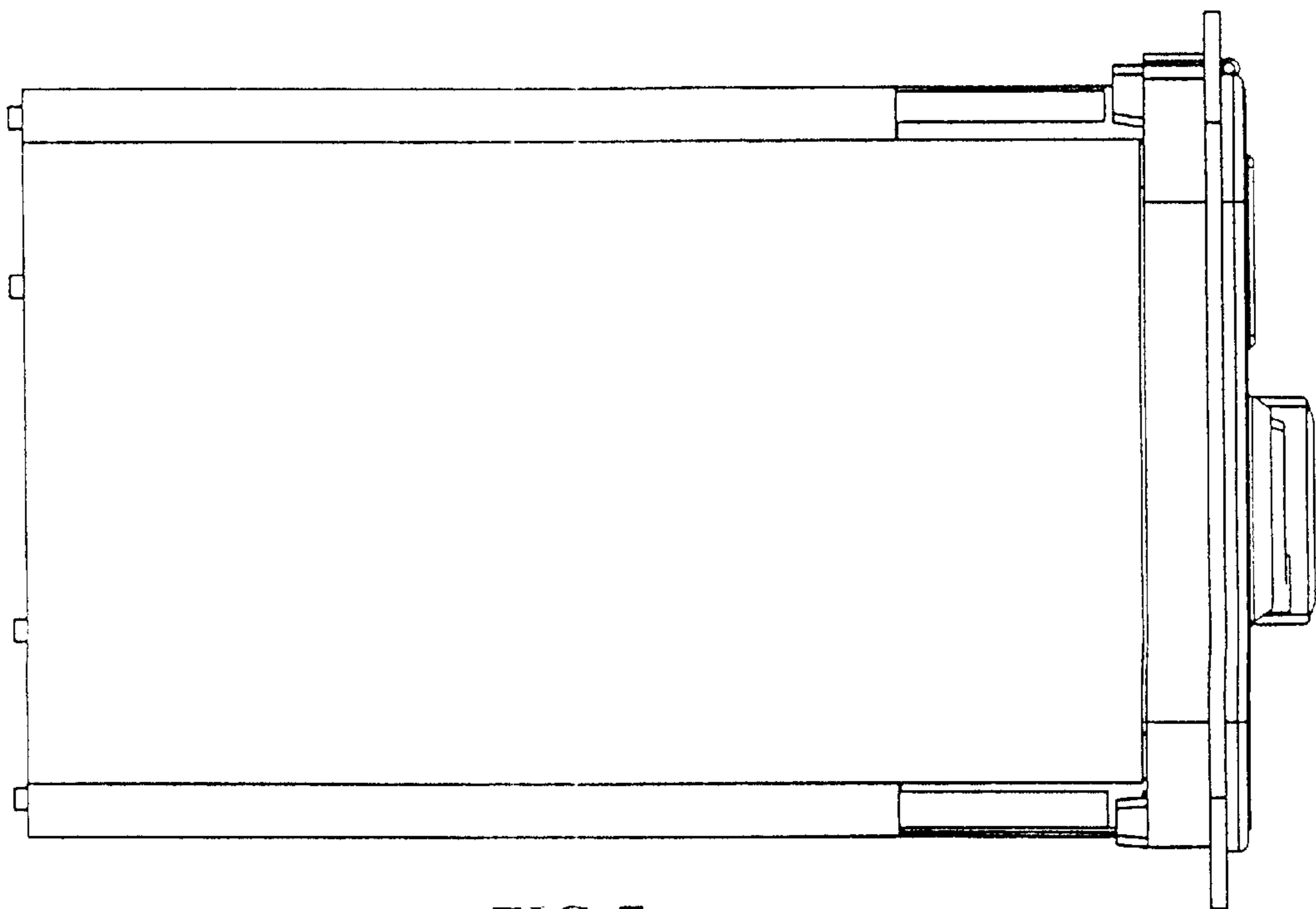


FIG. 7