



US00D441794S

(12) **United States Design Patent**  
**Kimura**

(10) **Patent No.:**

**US D441,794 S**

(45) **Date of Patent:**

**\*\* May 8, 2001**

(54) **CASING FOR AN ADHESIVE TAPE DISPENSER**

(75) Inventor: **Shigera Kimura**, Tokorozawa (JP)

(73) Assignee: **Tombow Pencil Co., Ltd**, Tokyo (JP)

(\*\*) Term: **14 Years**

(21) Appl. No.: **29/123,036**

(22) Filed: **May 9, 2000**

(30) **Foreign Application Priority Data**

Nov. 10, 1999 (JP) ..... 11-31041  
Nov. 10, 1999 (JP) ..... 11-31042

(51) **LOC (7) Cl.** ..... **19-02**

(52) **U.S. Cl.** ..... **D19/69; D19/67**

(58) **Field of Search** ..... D19/65, 67, 68,  
D19/69, 72, 89, 95, 99, 100; 156/523, 527,  
327, 486, 577; 225/6, 7, 12, 19, 22, 25,  
34, 35, 45, 56, 74, 77, 89, 11; 242/588,  
588.1, 588.6, 590

(56) **References Cited**

**U.S. PATENT DOCUMENTS**

- D. 364,644 \* 11/1995 Watanabe et al. .... D19/69
- D. 378,532 3/1997 Suzuki ..... D19/69
- D. 396,061 \* 7/1998 Thompson et al. .... D19/69
- D. 400,923 11/1998 Katami ..... D19/69
- D. 407,438 \* 3/1999 Kelders et al. .... D19/69
- D. 424,619 5/2000 Katami ..... D19/69
- 2,582,980 \* 1/1952 Fritzinger ..... 156/523
- 4,486,263 \* 12/1984 Gomez ..... 156/523
- 4,997,512 \* 3/1991 Manusch ..... 156/486
- 5,707,482 \* 1/1998 Fusselman ..... 156/577

**FOREIGN PATENT DOCUMENTS**

906837 9/1994 (JP) .

- 939875 11/1995 (JP) .
- 947857 2/1996 (JP) .
- 952854 5/1996 (JP) .
- 952855 5/1996 (JP) .
- 960821 8/1996 (JP) .
- 962857 9/1996 (JP) .
- 969362 11/1996 (JP) .
- 972341 1/1997 (JP) .
- 972347 1/1997 (JP) .
- 1000904 1/1998 (JP) .
- 1009307 5/1998 (JP) .
- 1010657 5/1998 (JP) .
- 1029264 1/1999 (JP) .
- 1041138 6/1999 (JP) .
- 1047279 8/1999 (JP) .
- 1047575 8/1999 (JP) .
- 1053386 11/1999 (JP) .
- 1057693 1/2000 (JP) .
- 1059863 2/2000 (JP) .
- 1061877 2/2000 (JP) .

\* cited by examiner

*Primary Examiner*—Martie K. Holtje  
(74) *Attorney, Agent, or Firm*—Butler, Snow, O'Mara,  
Stevens, & Cannada, PLLC

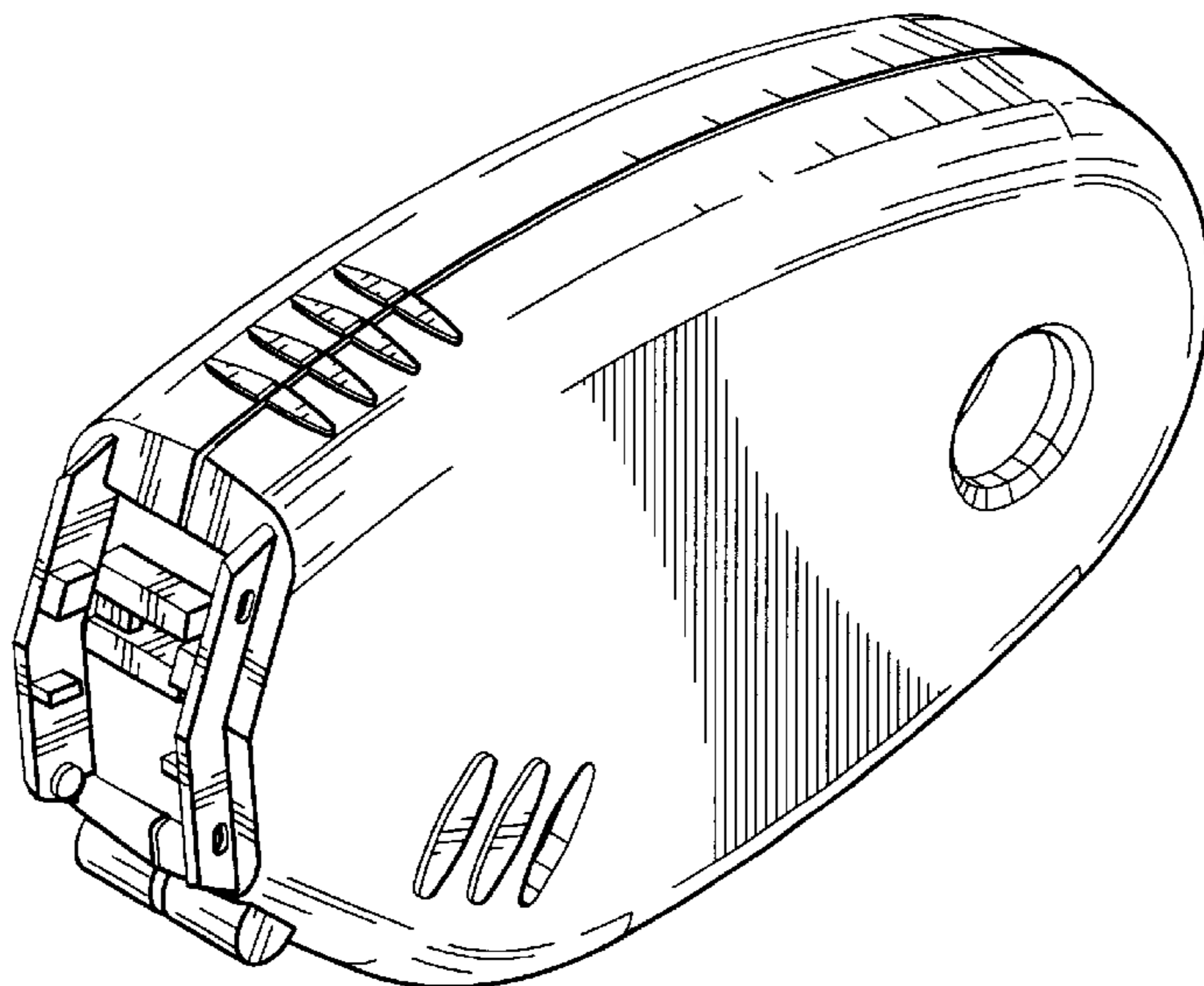
(57) **CLAIM**

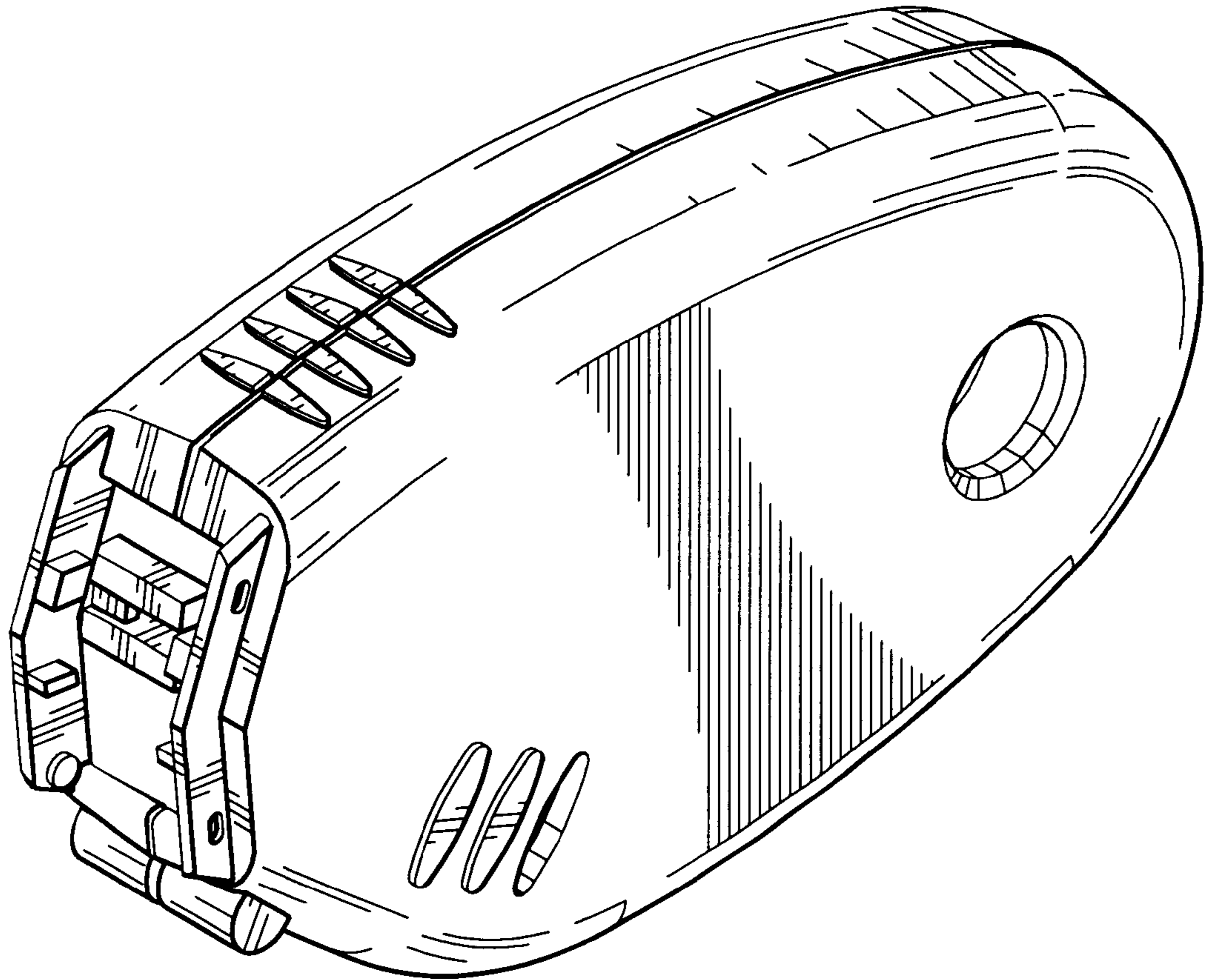
The ornamental design for a casing for an adhesive tape dispenser, as shown and described.

**DESCRIPTION**

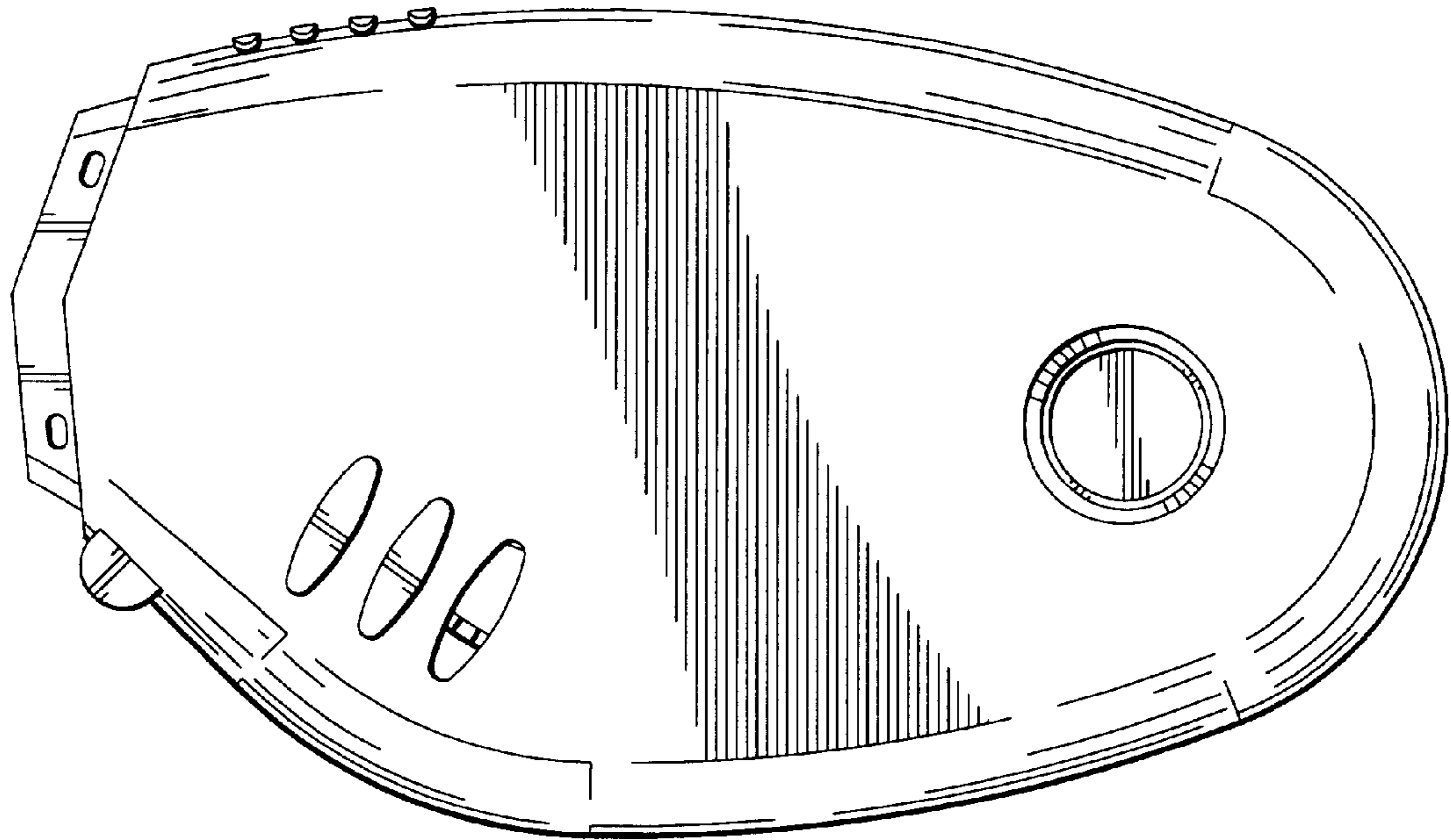
FIG. 1 is a perspective view of a casing for an adhesive tape dispenser showing my new design;  
FIG. 2 is a front view of FIG. 1;  
FIG. 3 is a rear view of FIG. 1;  
FIG. 4 is a right-side view of FIG. 1;  
FIG. 5 is a left-side view of FIG. 1;  
FIG. 6 is a top view of FIG. 1; and,  
FIG. 7 is a bottom view of FIG. 1.

**1 Claim, 3 Drawing Sheets**

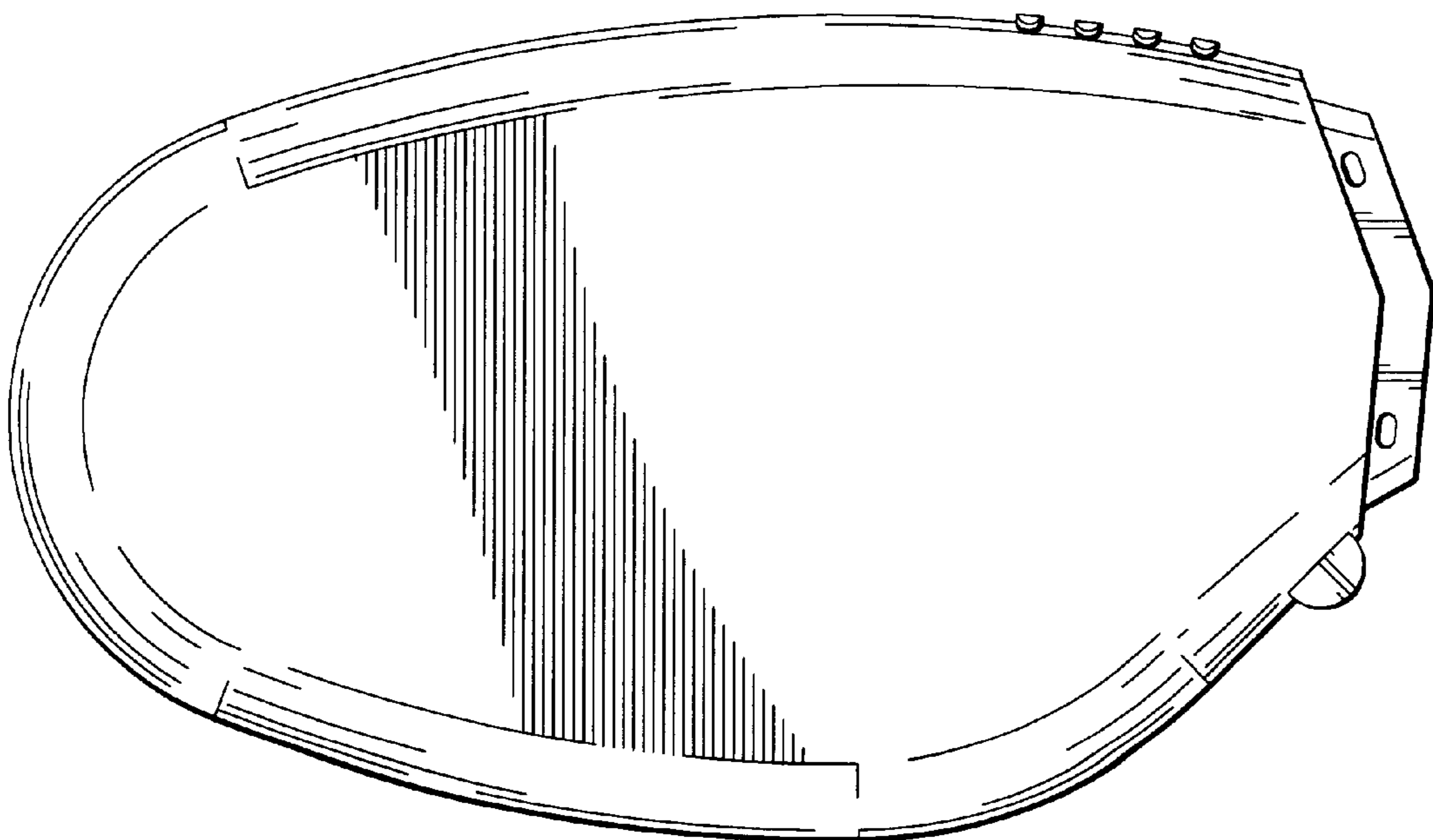




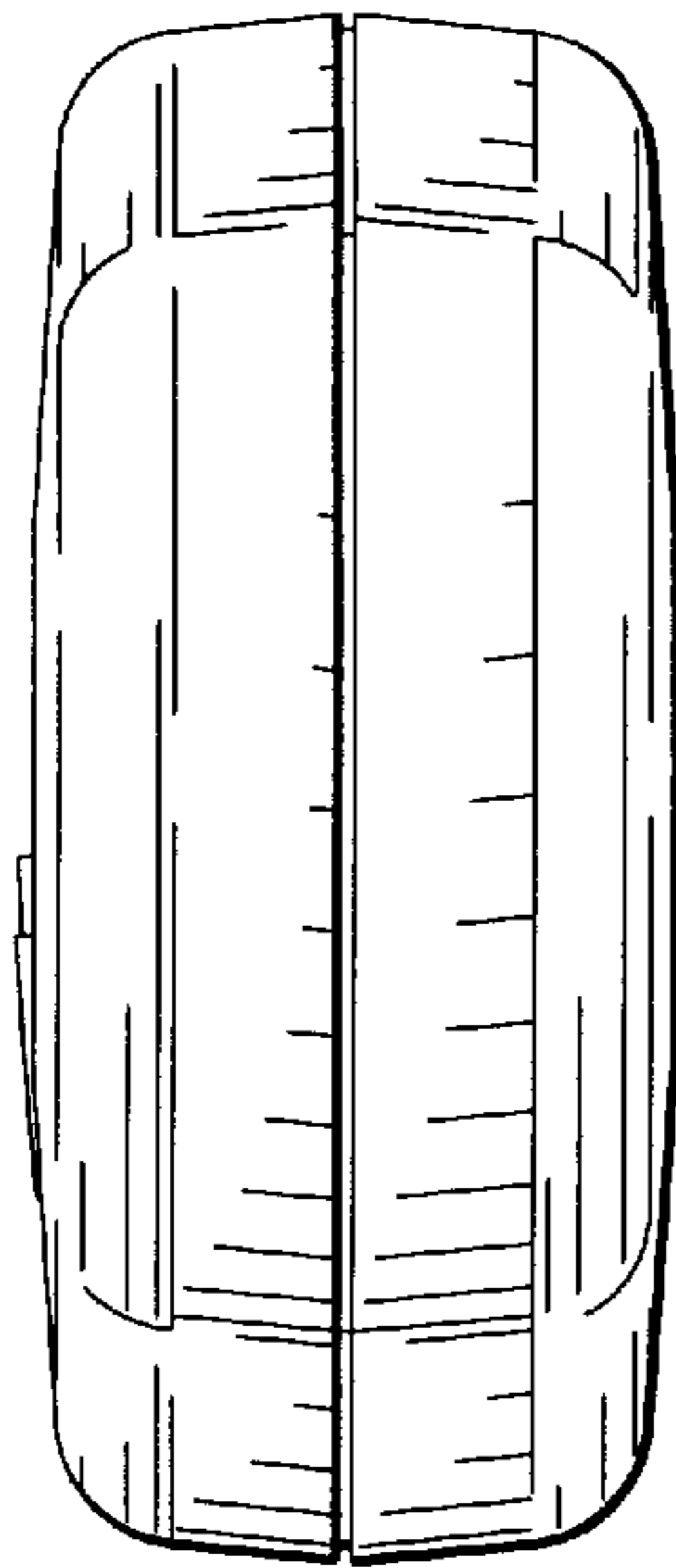
**FIG 1**



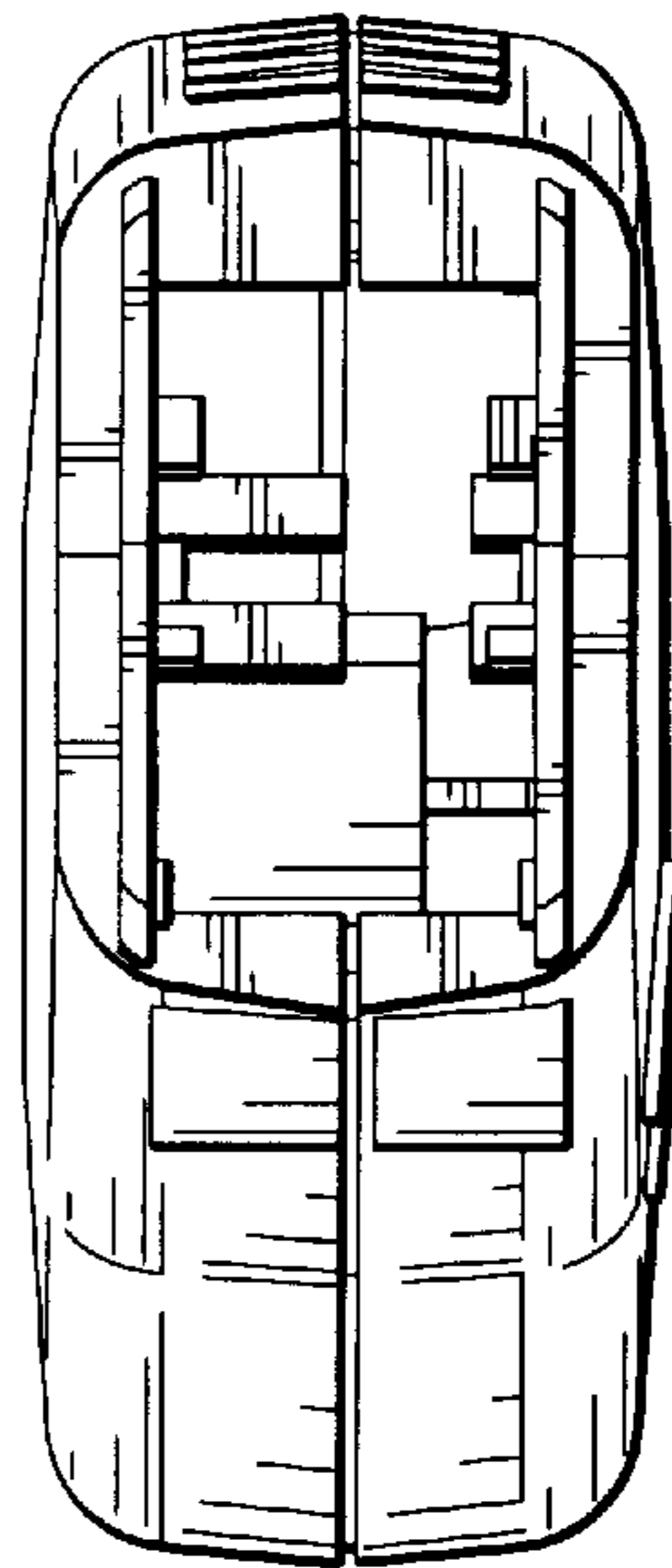
**FIG 2**



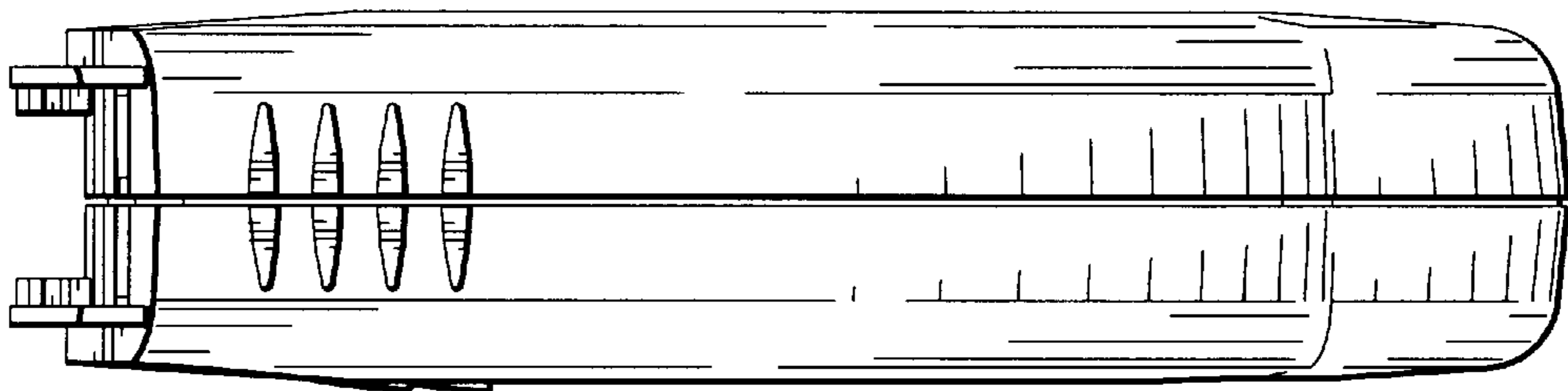
**FIG 3**



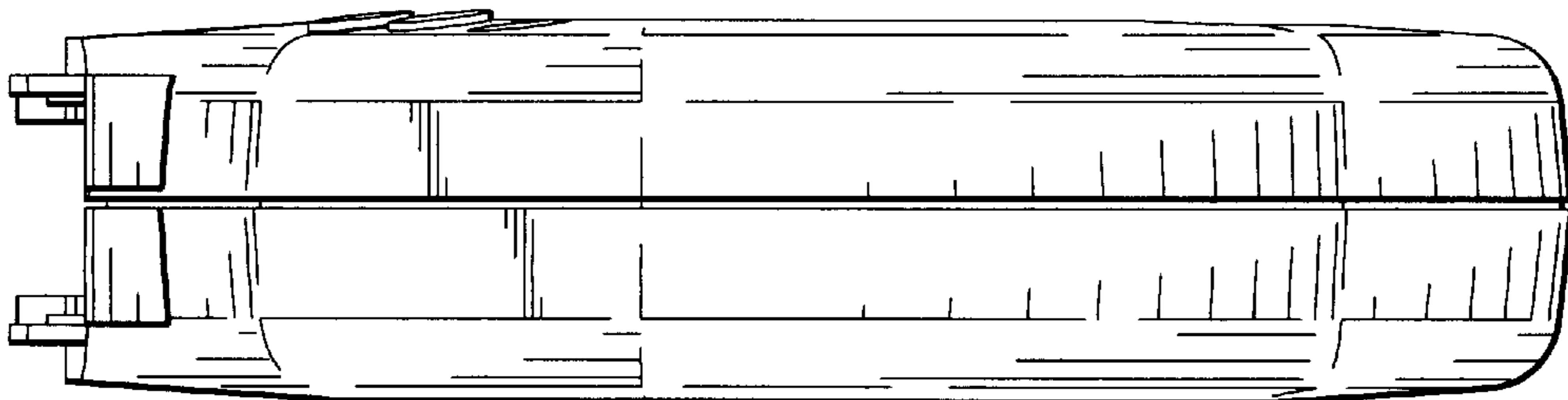
**FIG 4**



**FIG 5**



**FIG 6**



**FIG 7**