



US00D441789S

(12) **United States Design Patent** (10) **Patent No.:** **US D441,789 S**
To (45) **Date of Patent:** **** May 8, 2001**

(54) **PARTIALLY CORRUGATED RING BINDER HOUSING**

5,842,807 * 12/1998 To D19/32

* cited by examiner

(75) Inventor: **Chun Yuen To, Shatin (HK)**

Primary Examiner—Nelson C. Holtje

(73) Assignee: **World Wide Stationery Mfg. Co., Ltd., Kwai Chung (HK)**

(74) *Attorney, Agent, or Firm*—Wolf, Greenfield & Sacks, P.C.

(**) Term: **14 Years**

(57) **CLAIM**

The ornamental design for a partially corrugated ring binder housing, as shown and described.

(21) Appl. No.: **29/091,404**

DESCRIPTION

(22) Filed: **Jul. 29, 1998**

(51) **LOC (7) Cl.** **19-04**

(52) **U.S. Cl.** **D19/32**

(58) **Field of Search** D19/26, 27, 32;
281/27.1, 27.2, 27.3, 45, 51; 402/26, 31,
41, 60, 70, 80 R

FIG. 1 is an isometric view of a partially corrugated ring binder housing showing my new design;
FIG. 2 is a side elevational view thereof;
FIG. 3 is a bottom plan view thereof;
FIG. 4 is another perspective view thereof with the broken-line rings in the open position;
FIG. 5 is a cross-sectional view thereof; and,
FIG. 6 is another top plan view thereof.

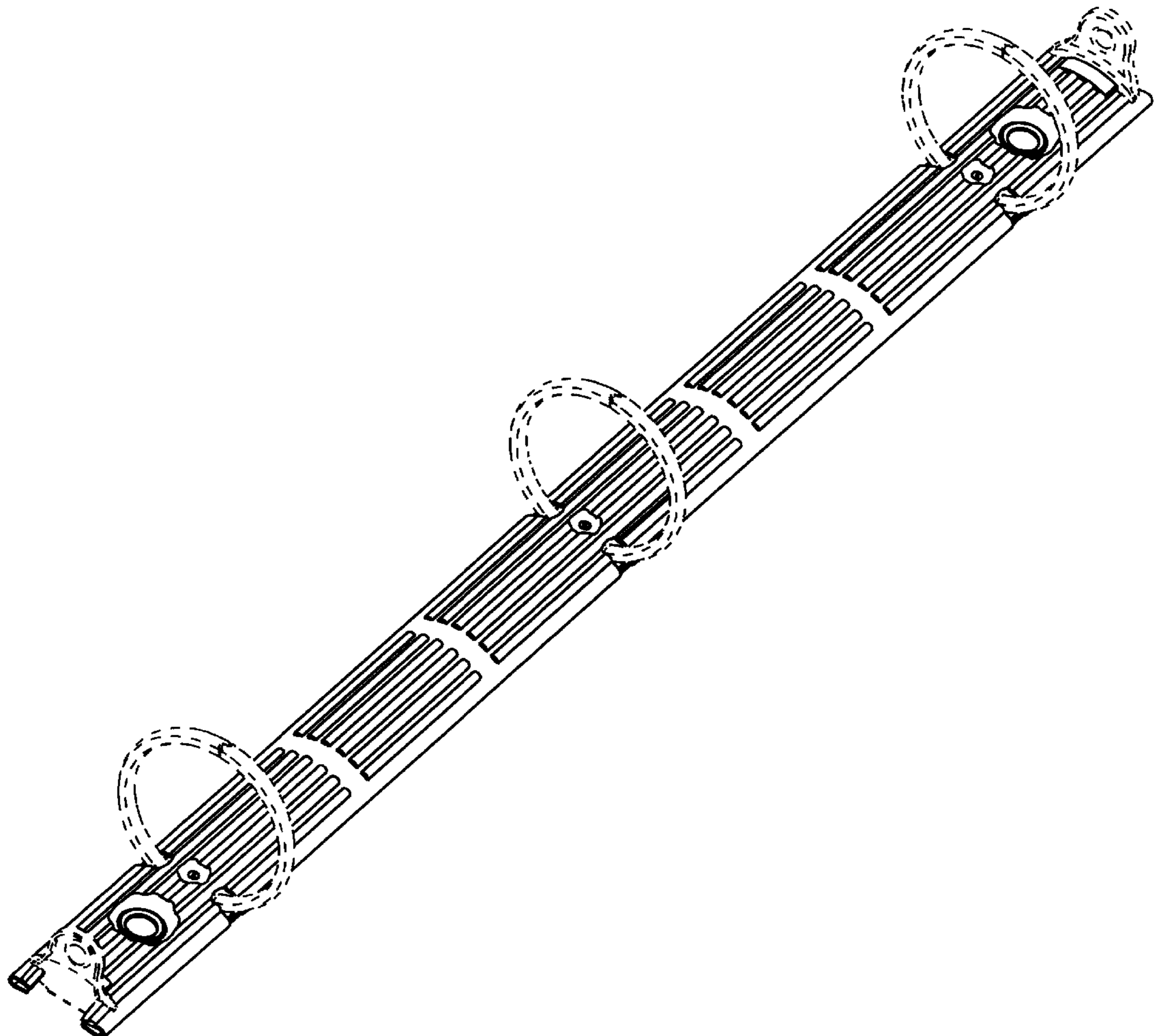
The broken-line showings are environmental only and form no part of the claimed design.

(56) **References Cited**

U.S. PATENT DOCUMENTS

- D. 389,182 * 1/1998 Law D19/32
- D. 397,146 * 8/1998 Chan D19/32
- 5,807,006 * 9/1998 Cheung 402/38

1 Claim, 6 Drawing Sheets



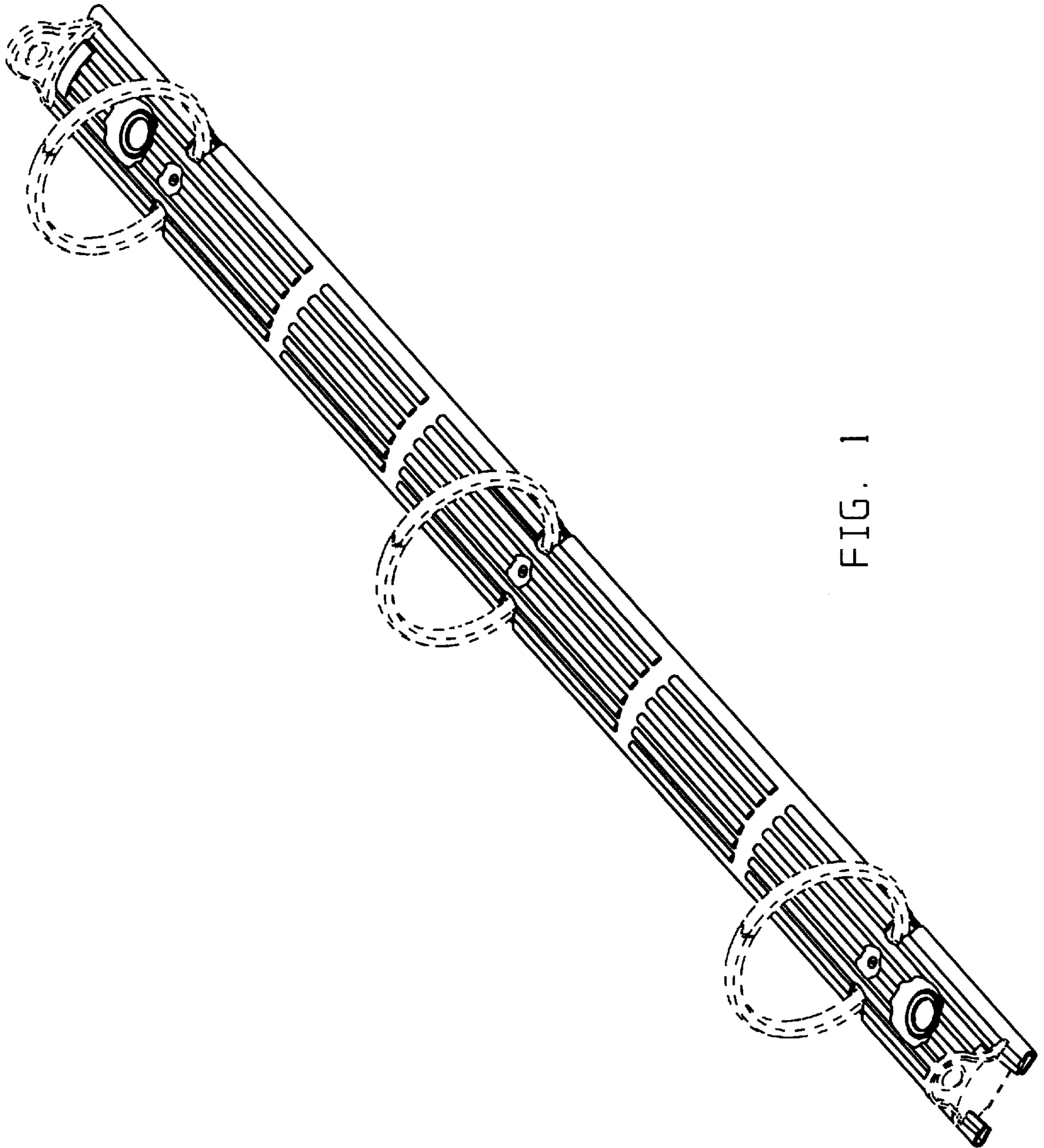


FIG. 1

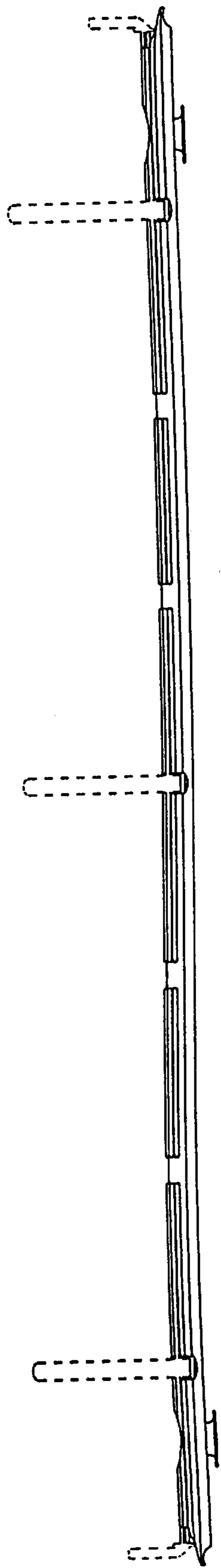


FIG. 2

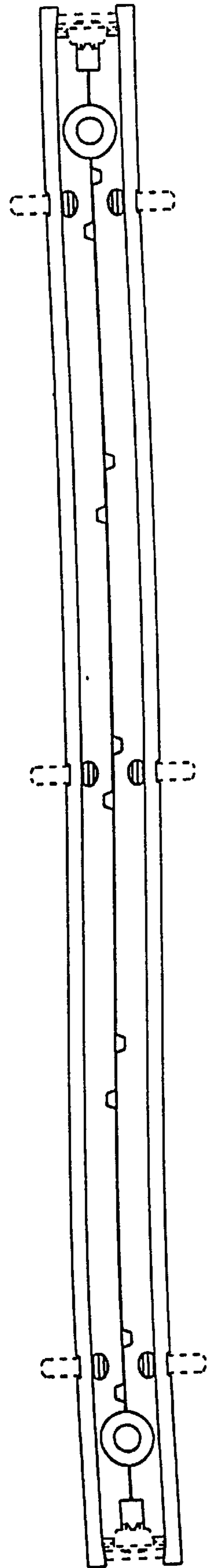


FIG. 3

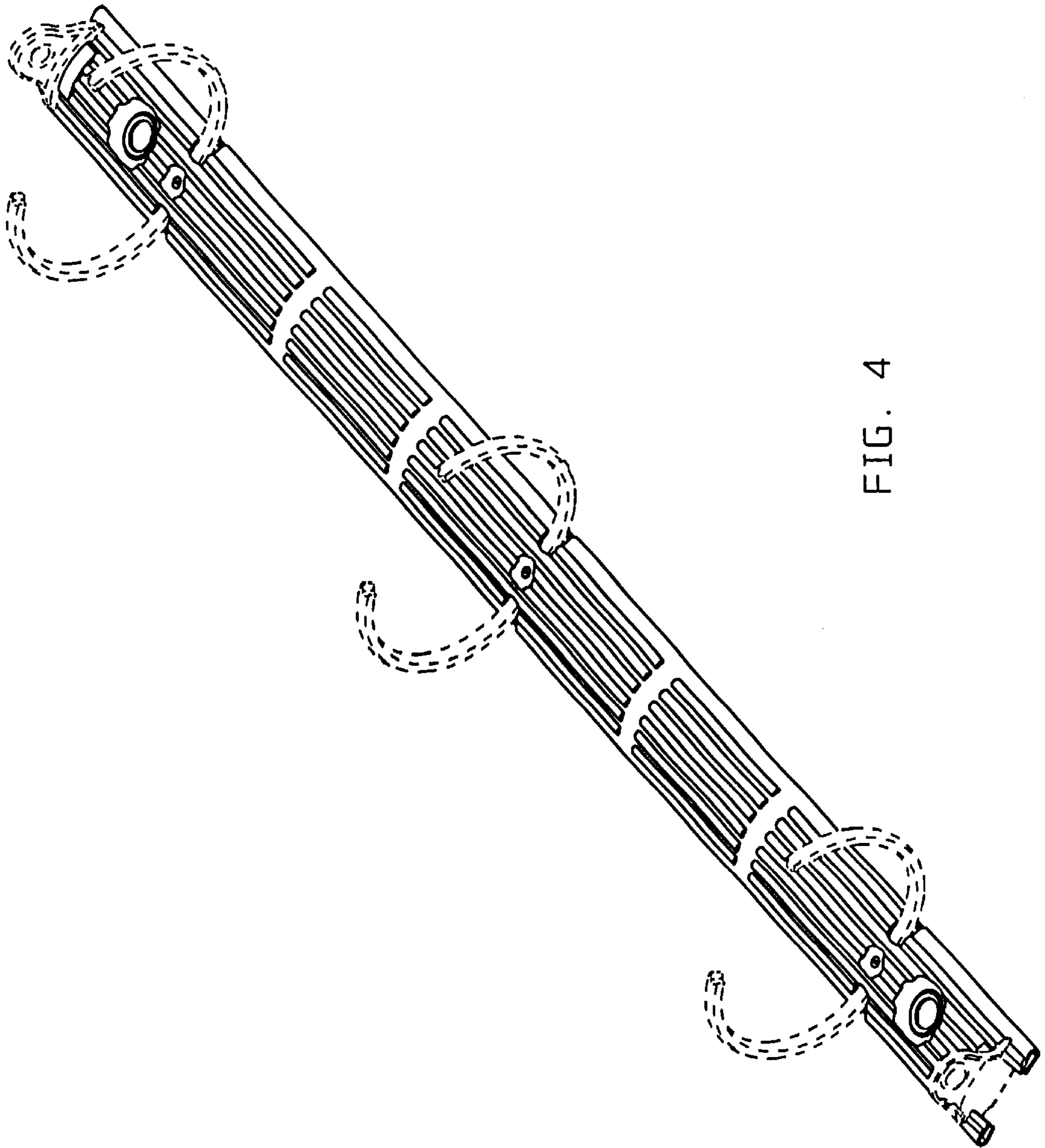
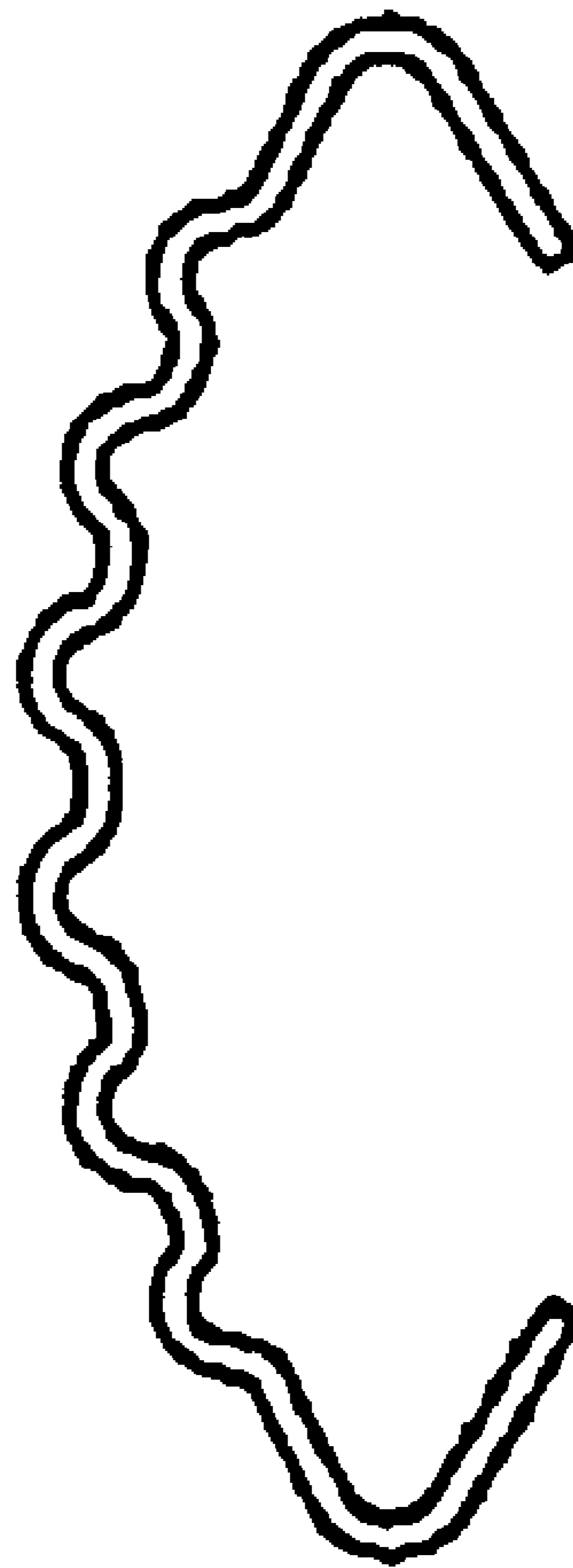


FIG. 4

Fig. 5



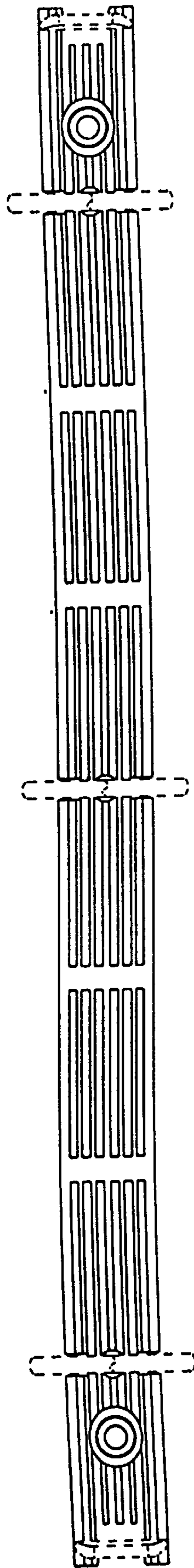


FIG. 6