



US00D441788S

(12) **United States Design Patent**
Wollin

(10) **Patent No.:** **US D441,788 S**

(45) **Date of Patent:** **** May 8, 2001**

(54) **PRINTER HEAD**

(75) Inventor: **Kjell Wollin, Molnda (SE)**

(73) Assignee: **Intermec Printer AB, Molndal (SE)**

(**) Term: **14 Years**

(21) Appl. No.: **29/121,161**

(22) Filed: **Mar. 31, 2000**

(51) **LOC (7) Cl.** **18-02**

(52) **U.S. Cl.** **D18/56; 347/86**

(58) **Field of Search** **D18/43, 56; 346/86, 346/87**

- D. 401,618 * 11/1998 Ikehata D18/43
- D. 402,686 * 12/1998 Miyazawa D18/40
- D. 410,947 * 6/1999 Schwamkrug D18/43
- D. 410,949 * 6/1999 Fowkes D18/56
- D. 418,862 * 1/2000 Ogawa et al. D18/43
- D. 423,043 * 4/2000 Ishigami et al. D18/56
- D. 423,567 * 4/2000 Ishigami et al. D18/56
- D. 433,441 * 11/2000 Yonekawa et al. D18/43

* cited by examiner

Primary Examiner—Cathy Anne MacCormac

(74) *Attorney, Agent, or Firm*—Ladas & Parry

(57) **CLAIM**

The ornamental design for a printer head, as shown and described.

(56) **References Cited**

U.S. PATENT DOCUMENTS

- D. 314,006 * 1/1991 Abe et al. D18/56
- D. 364,891 * 12/1995 Byers D18/56
- D. 366,060 * 1/1996 Theriault D18/56
- D. 375,519 * 11/1996 Tsumuki D18/43
- D. 375,975 * 11/1996 Koizumi et al. D18/56
- D. 379,829 * 6/1997 Hayashi D18/56
- D. 399,249 * 10/1998 Burdick et al. D18/43
- D. 401,616 * 11/1998 Miyazawa D18/40
- D. 401,617 * 11/1998 Miyazawa D18/40

DESCRIPTION

FIG. 1 is a perspective view of a printer head showing my new design;
 FIG. 2 is a top plan view thereof;
 FIG. 3 is a front elevational view thereof;
 FIG. 4 is a left side elevational view thereof;
 FIG. 5 is a bottom view thereof;
 FIG. 6 is a rear elevational view thereof; and,
 FIG. 7 is a right side elevational view thereof.

1 Claim, 1 Drawing Sheet

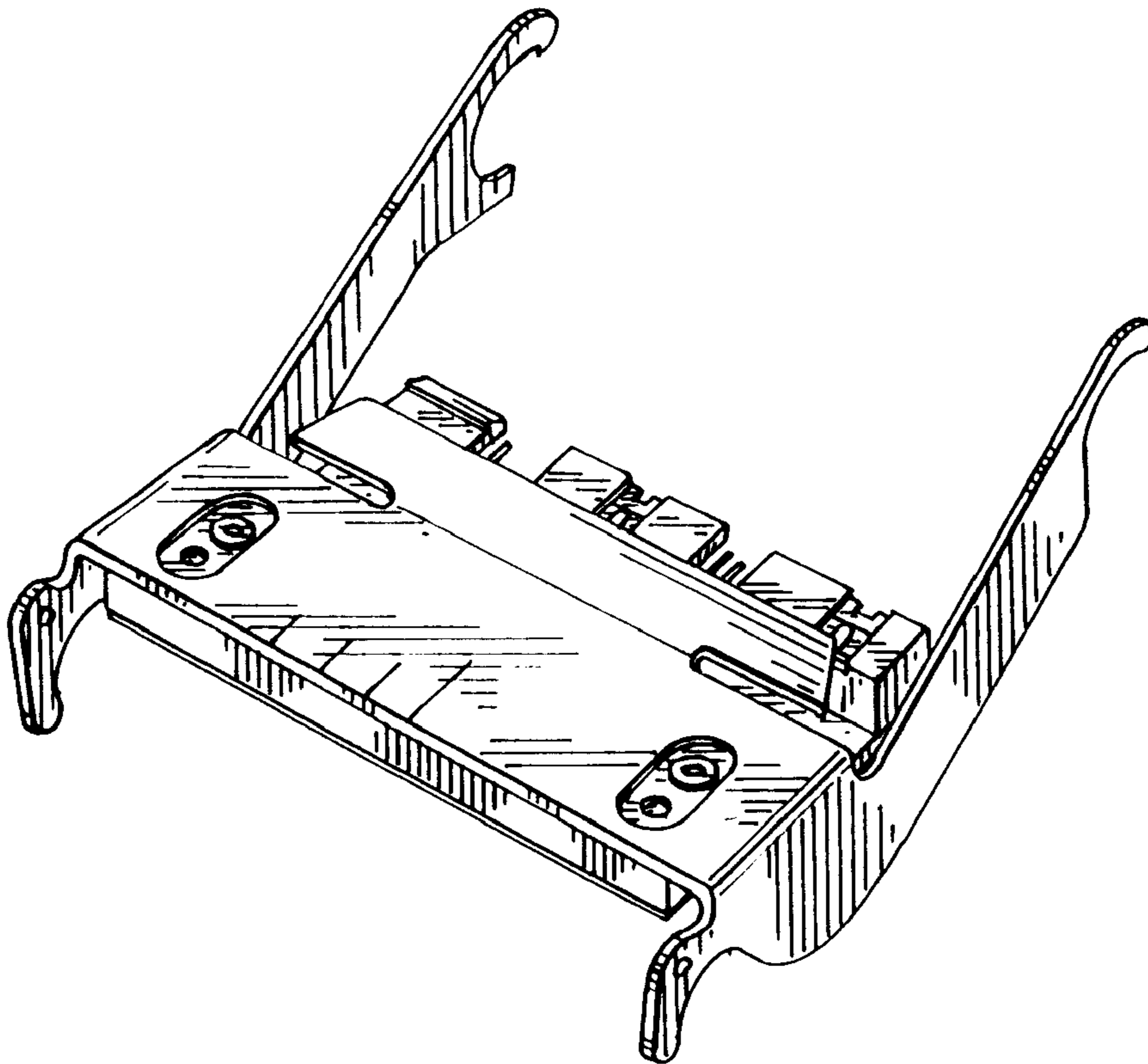


FIG. 2

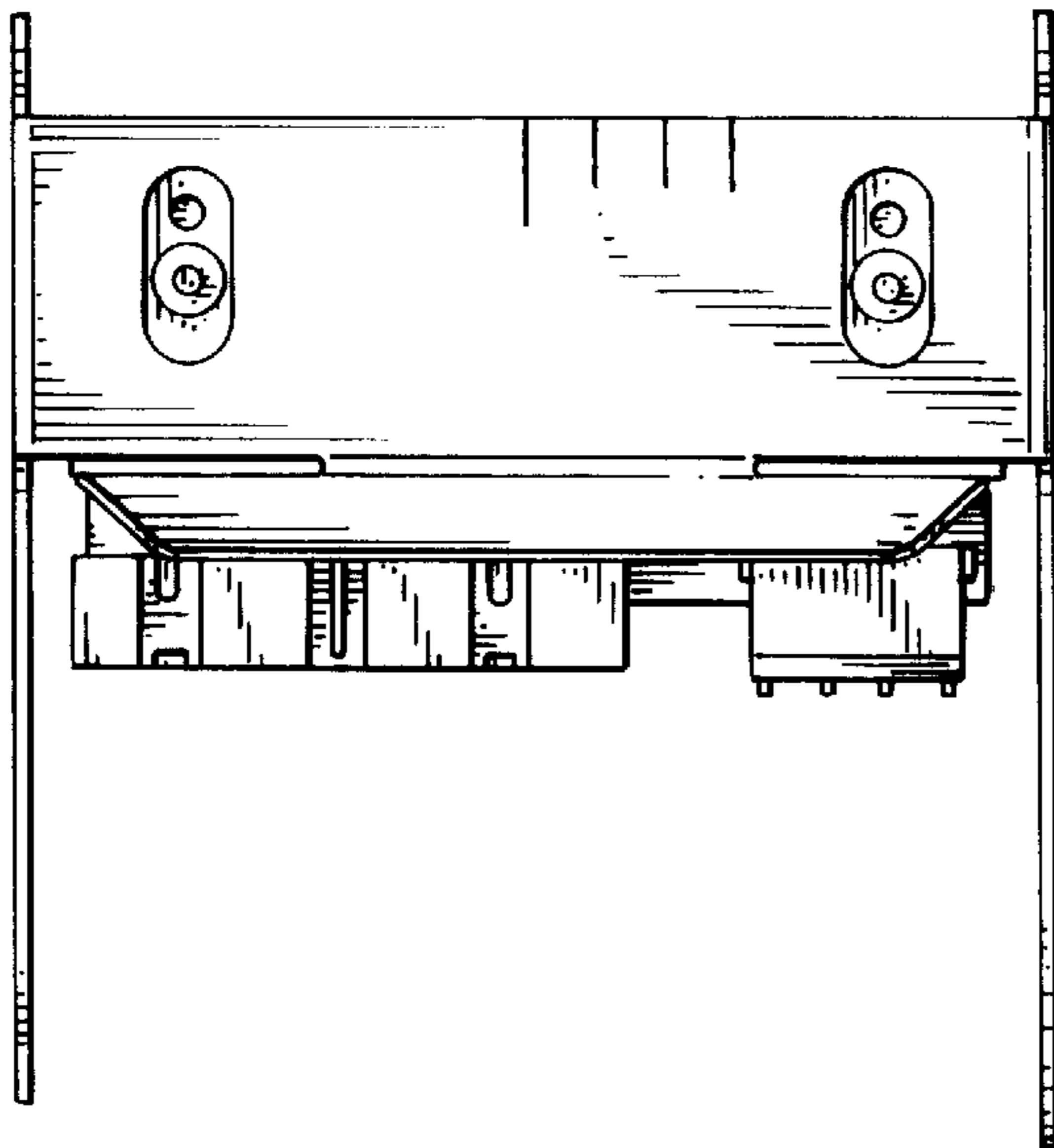


FIG. 1

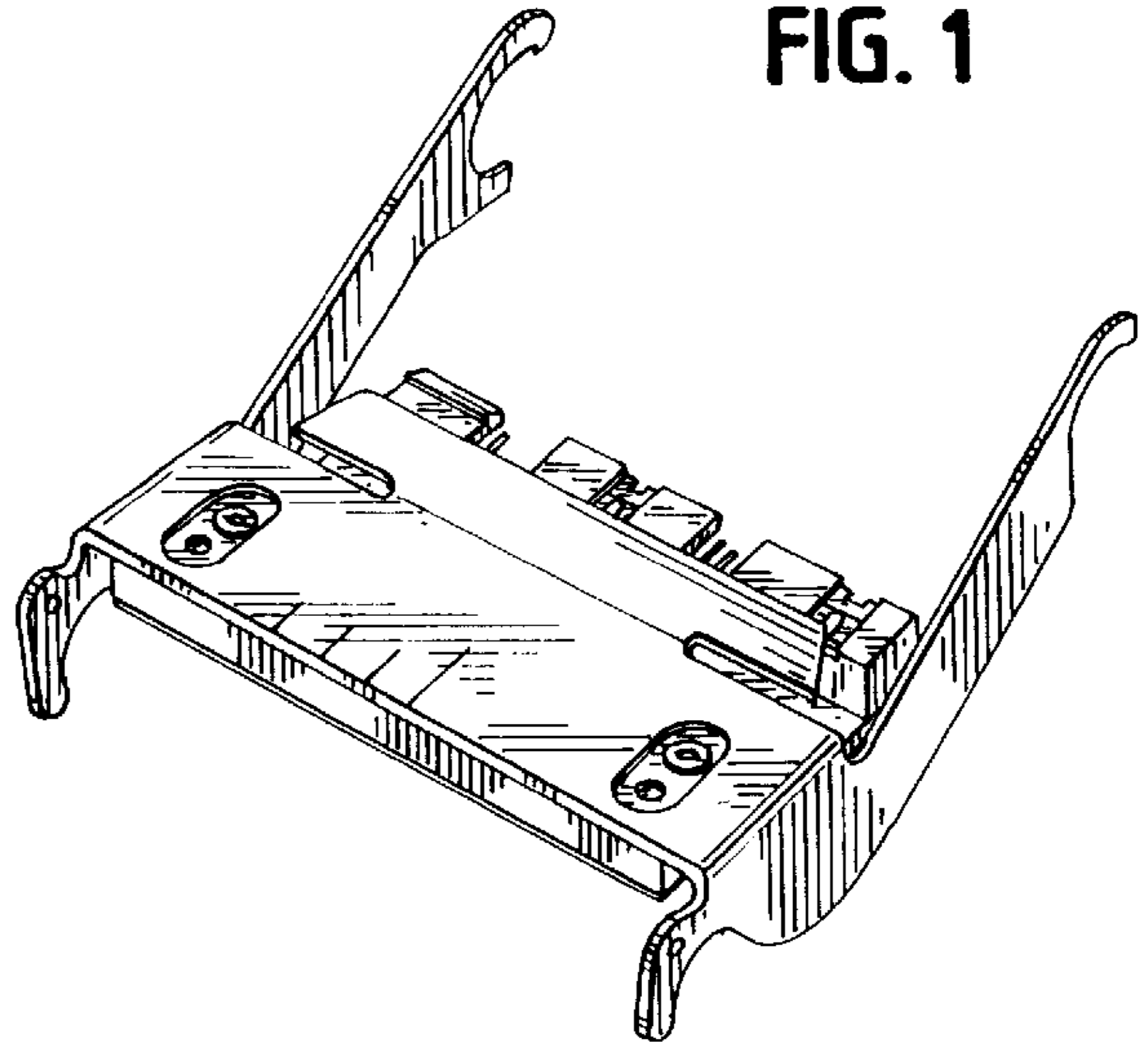


FIG. 3

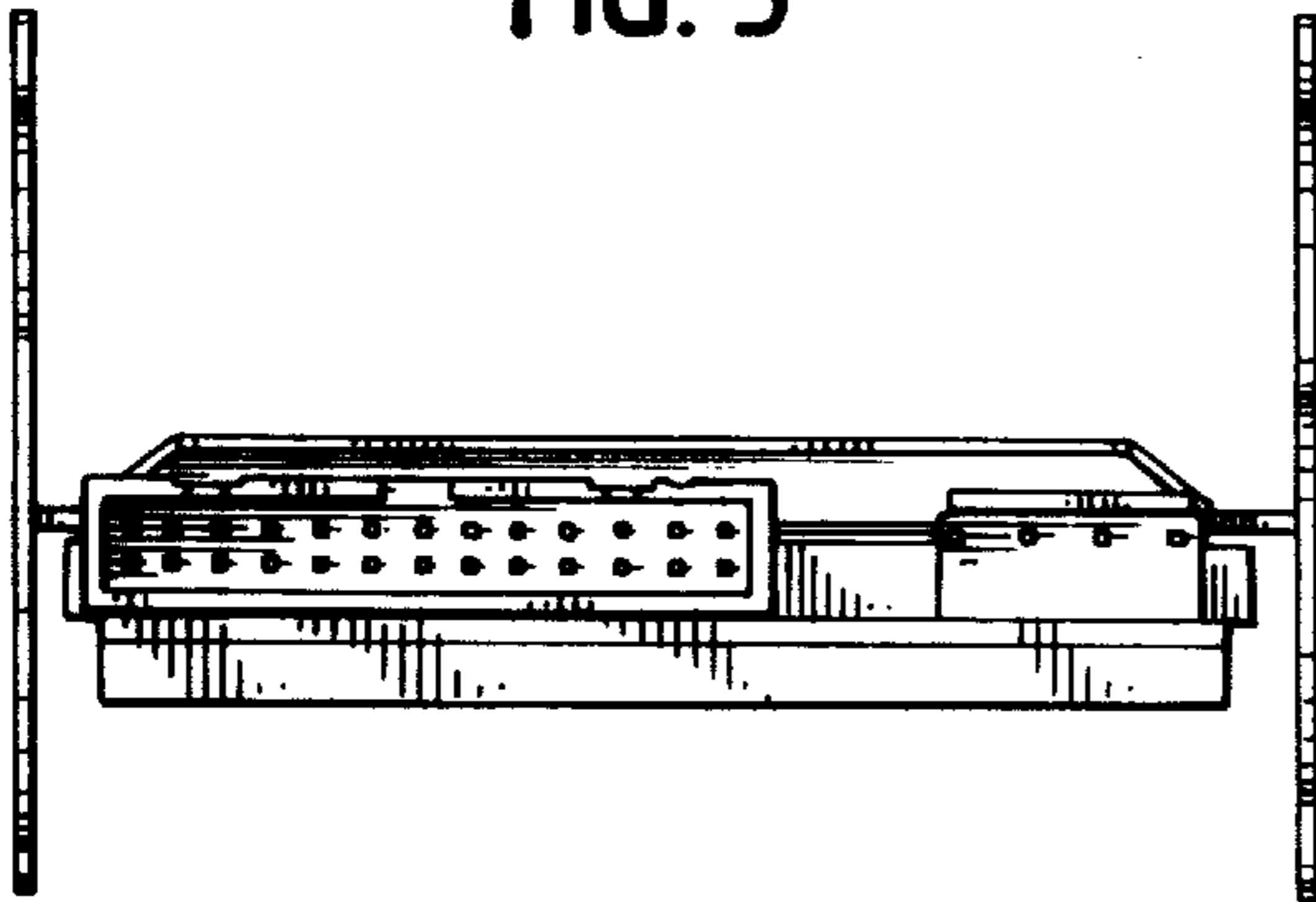


FIG. 4

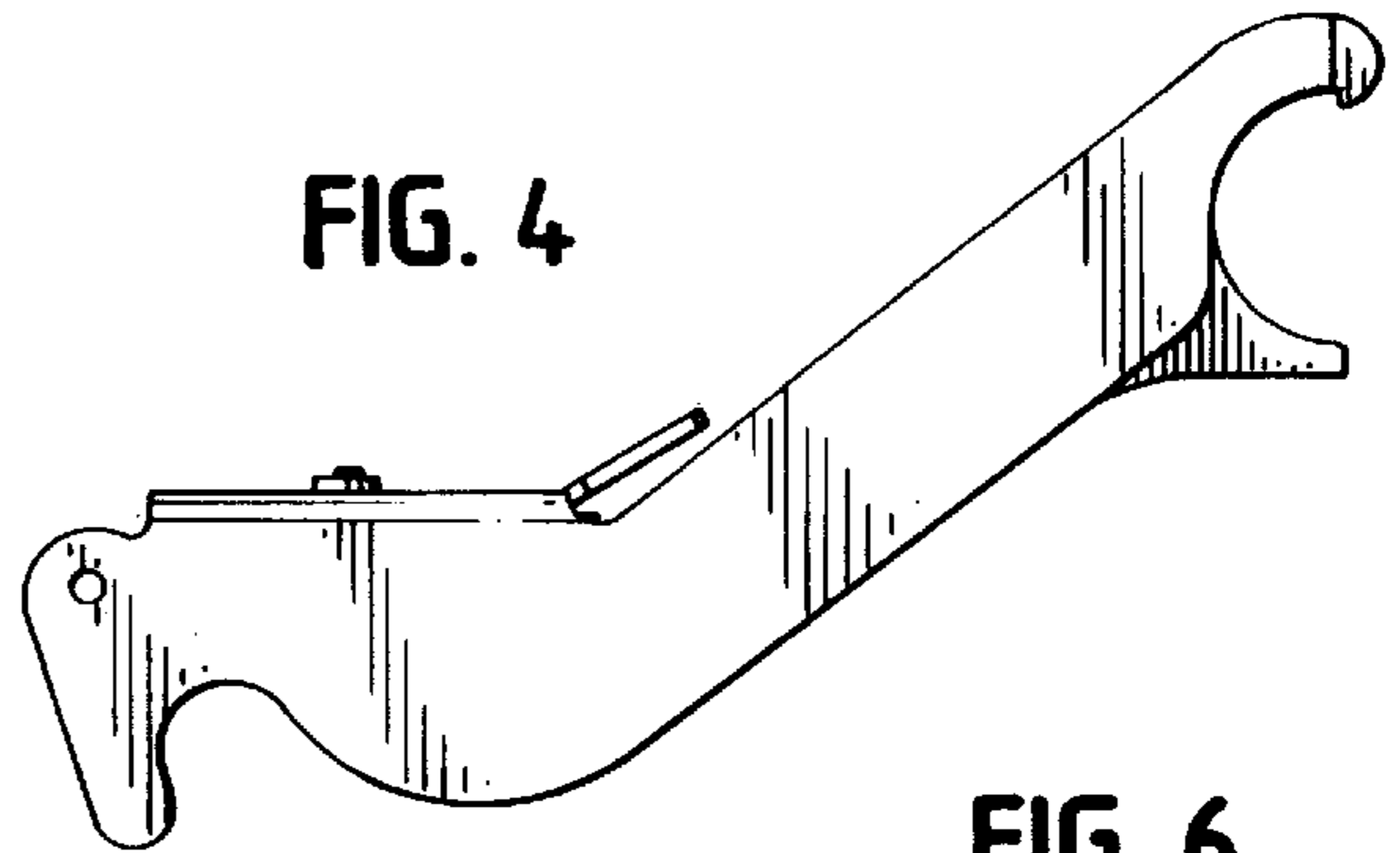


FIG. 6

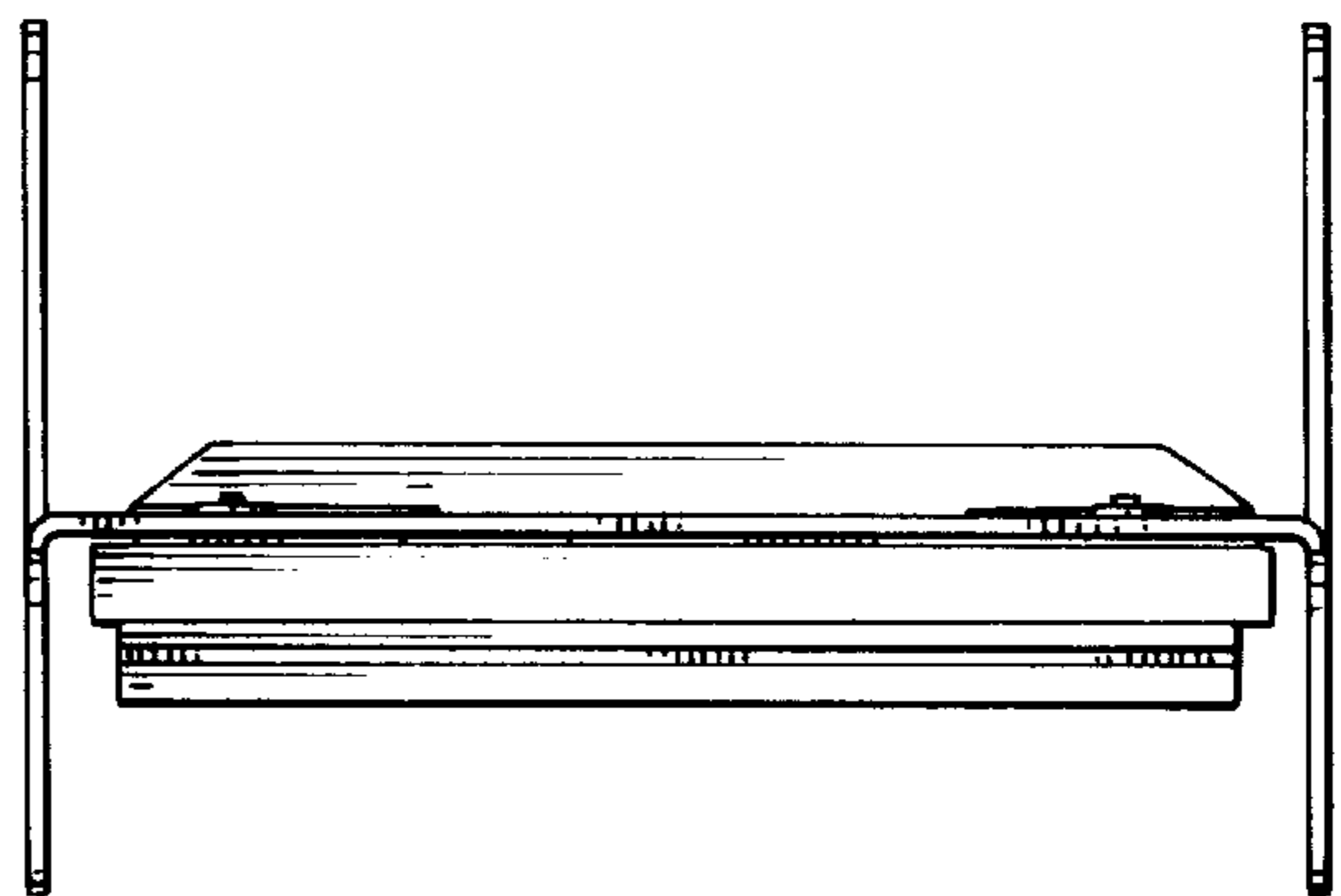


FIG. 5

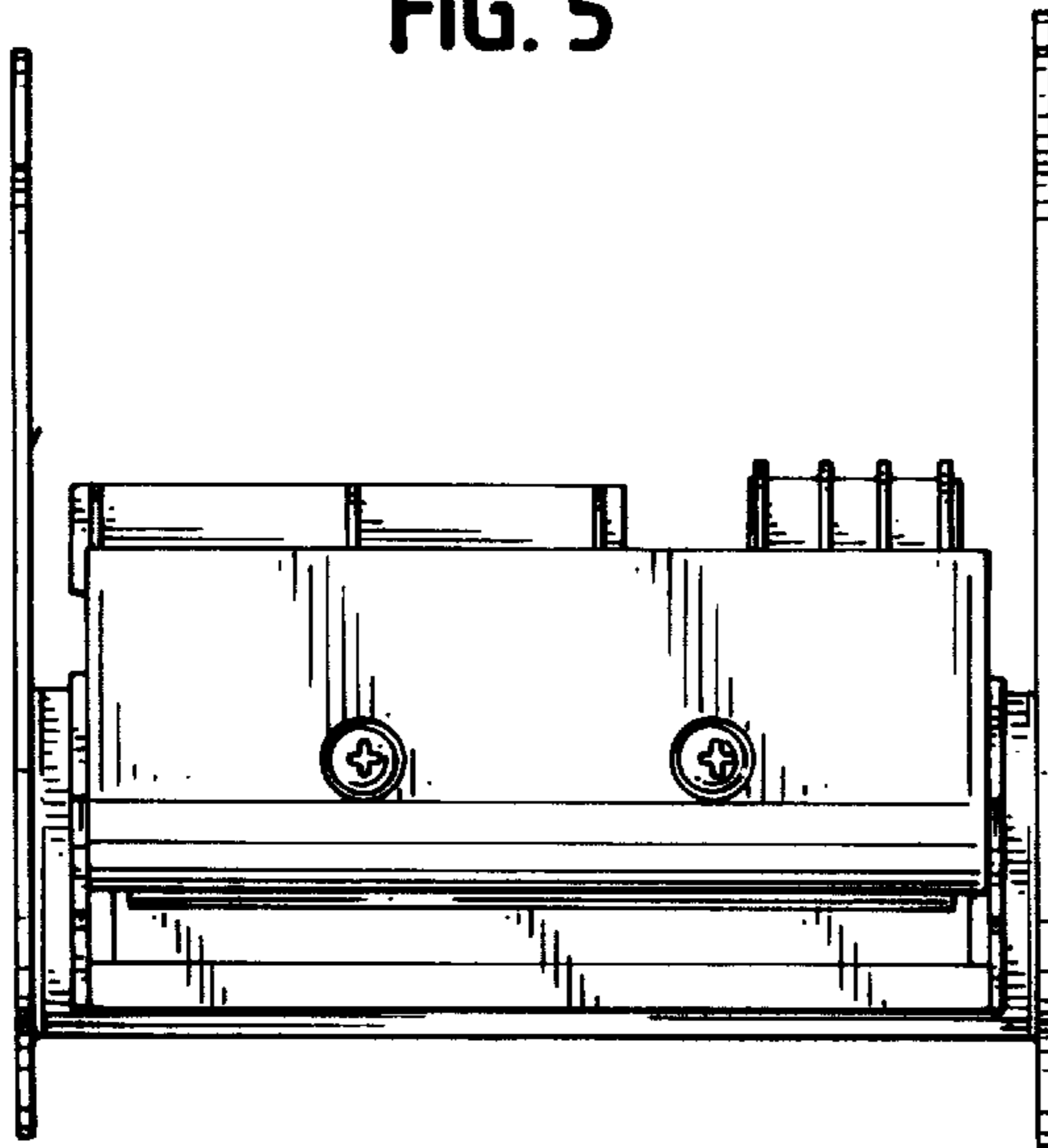


FIG. 7

