



US00D441785S

(12) **United States Design Patent**
Yoshida et al.

(10) **Patent No.:** **US D441,785 S**

(45) **Date of Patent:** **** May 8, 2001**

(54) **PRINTER**

(75) Inventors: **Kenzoh Yoshida; Takaaki Kuwabara;**
Keiichi Takao, all of Nara-ken (JP)

(73) Assignee: **Sharp Kabushiki Kaisha**, Osaka (JP)

(**) Term: **14 Years**

(21) Appl. No.: **29/122,583**

(22) Filed: **May 1, 2000**

(30) **Foreign Application Priority Data**

Nov. 12, 1999 (JP) 11-31271

(51) **LOC (7) Cl.** **14-02**

(52) **U.S. Cl.** **D18/55**

(58) **Field of Search** D18/36-39, 50,
D18/54-55; 400/613, 613.1-613.4, 691-694,
690.1-690.4

(56) **References Cited**

U.S. PATENT DOCUMENTS

- D. 307,295 * 4/1990 Yoshida D18/55
- D. 325,598 * 4/1992 Fukuda D18/55
- D. 337,609 7/1993 Fukuda .
- D. 343,192 1/1994 Hirose .
- D. 346,820 * 5/1994 Etou et al. D18/55
- D. 355,209 * 2/1995 Ito D18/55
- D. 382,584 * 8/1997 Takada D18/55

- D. 384,694 * 10/1997 Kobayashi et al. D18/55
- D. 384,695 * 10/1997 Takada D18/55
- D. 388,455 12/1997 Tanabe .
- D. 399,250 * 10/1998 Kawai D18/55
- D. 404,066 * 1/1999 Sakata D18/54
- D. 407,741 * 4/1999 Kusanagi D18/55
- D. 412,182 * 7/1999 Miyazawa D18/55
- D. 412,341 * 7/1999 Miyazawa D18/55
- D. 423,562 * 4/2000 Kobayashi D18/55
- D. 430,596 * 9/2000 Shiozaki et al. D18/54
- D. 437,349 * 2/2001 Saito et al. D18/55

* cited by examiner

Primary Examiner—Cathy Anne MacCormac

(74) *Attorney, Agent, or Firm*—Nixon & Vanderhye

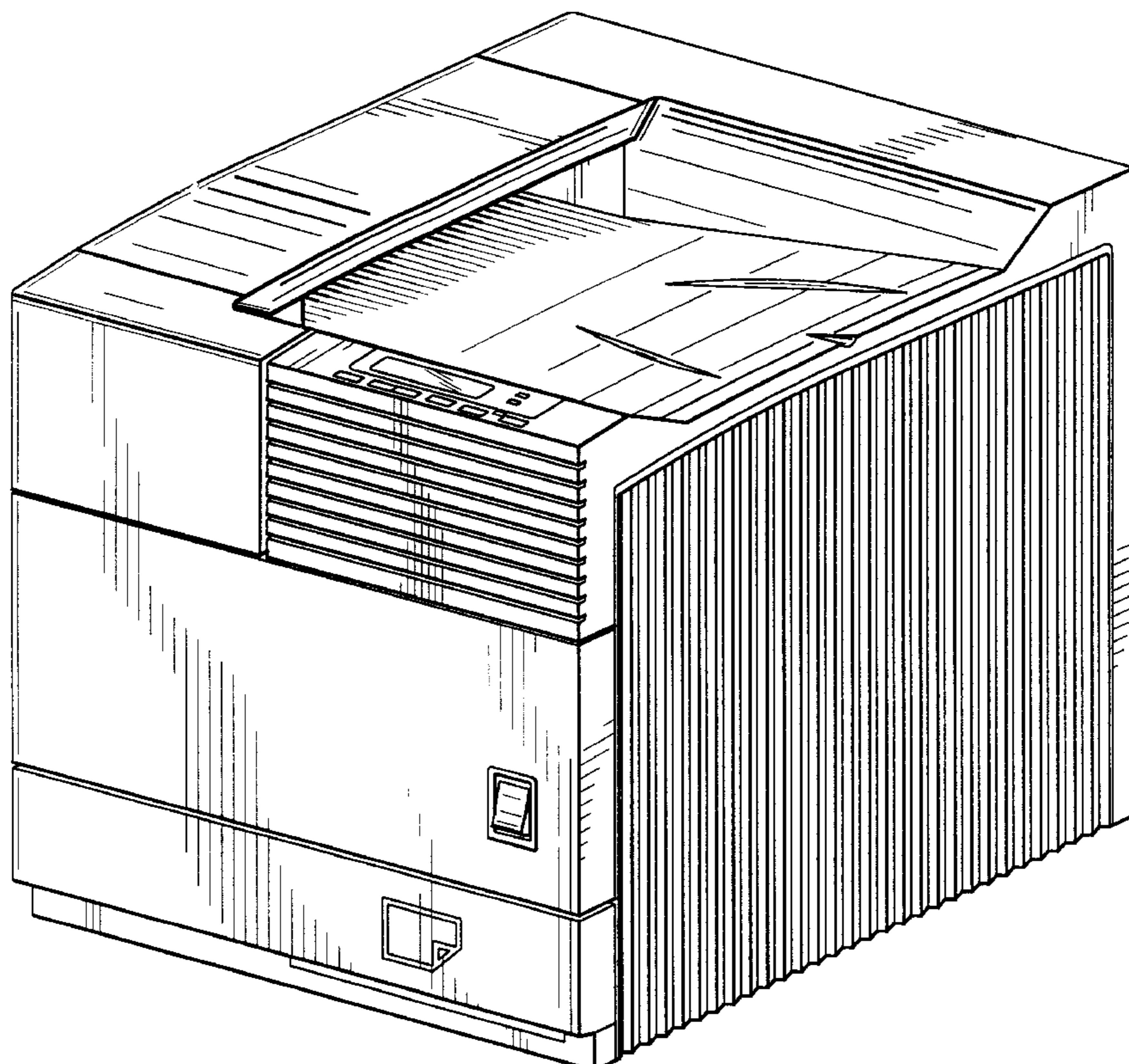
(57) **CLAIM**

The ornamental design for a “printer”, as shown and described.

DESCRIPTION

FIG. 1 is a top, front and right side perspective view of a printer according to our design;
 FIG. 2 is a top plan view thereof;
 FIG. 3 is a bottom plan view thereof;
 FIG. 4 is a front elevational view thereof;
 FIG. 5 is a rear elevational view thereof;
 FIG. 6 is a right side elevational view thereof; and,
 FIG. 7 is a left side elevational view thereof.

1 Claim, 7 Drawing Sheets



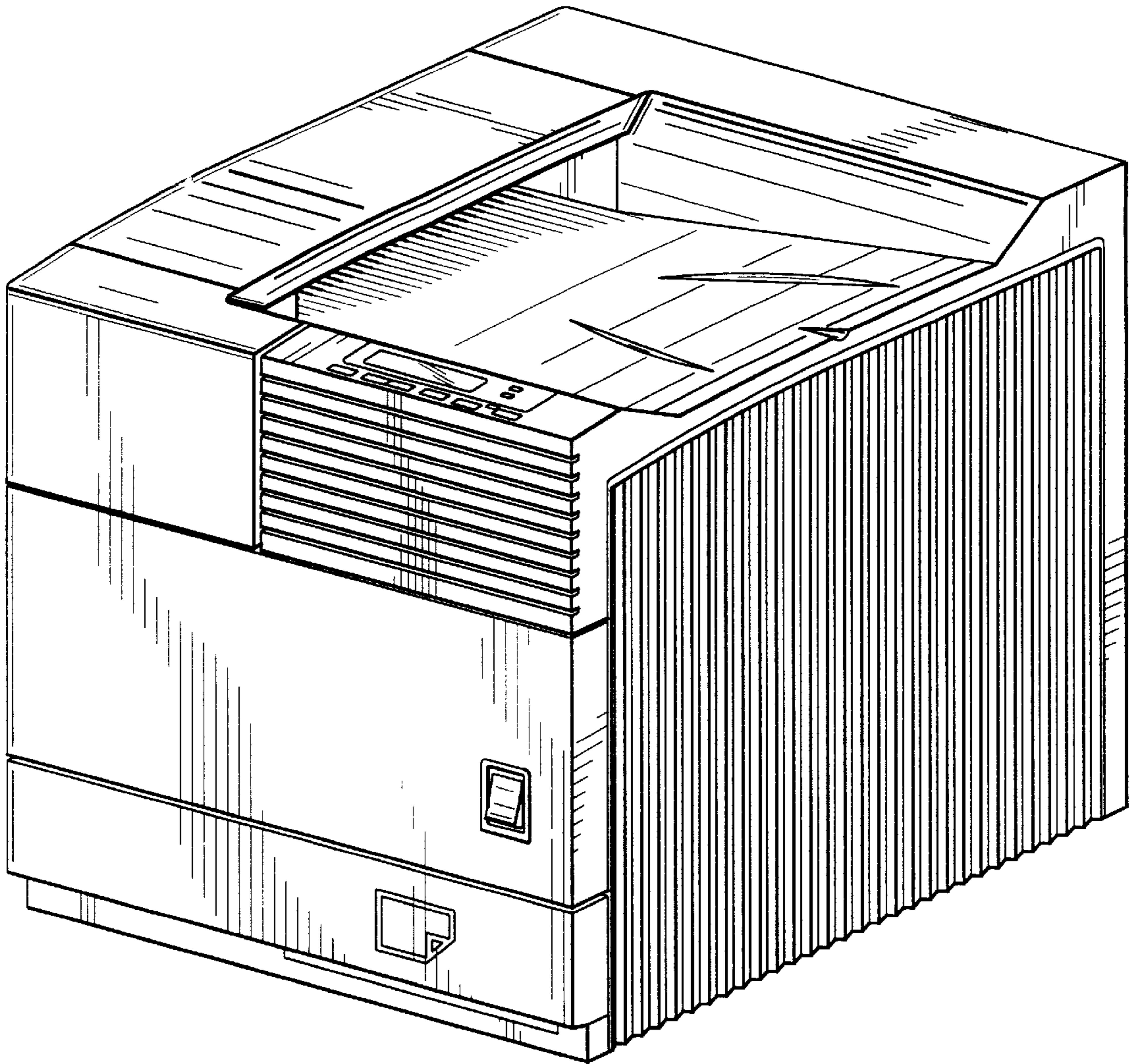


Fig. 1

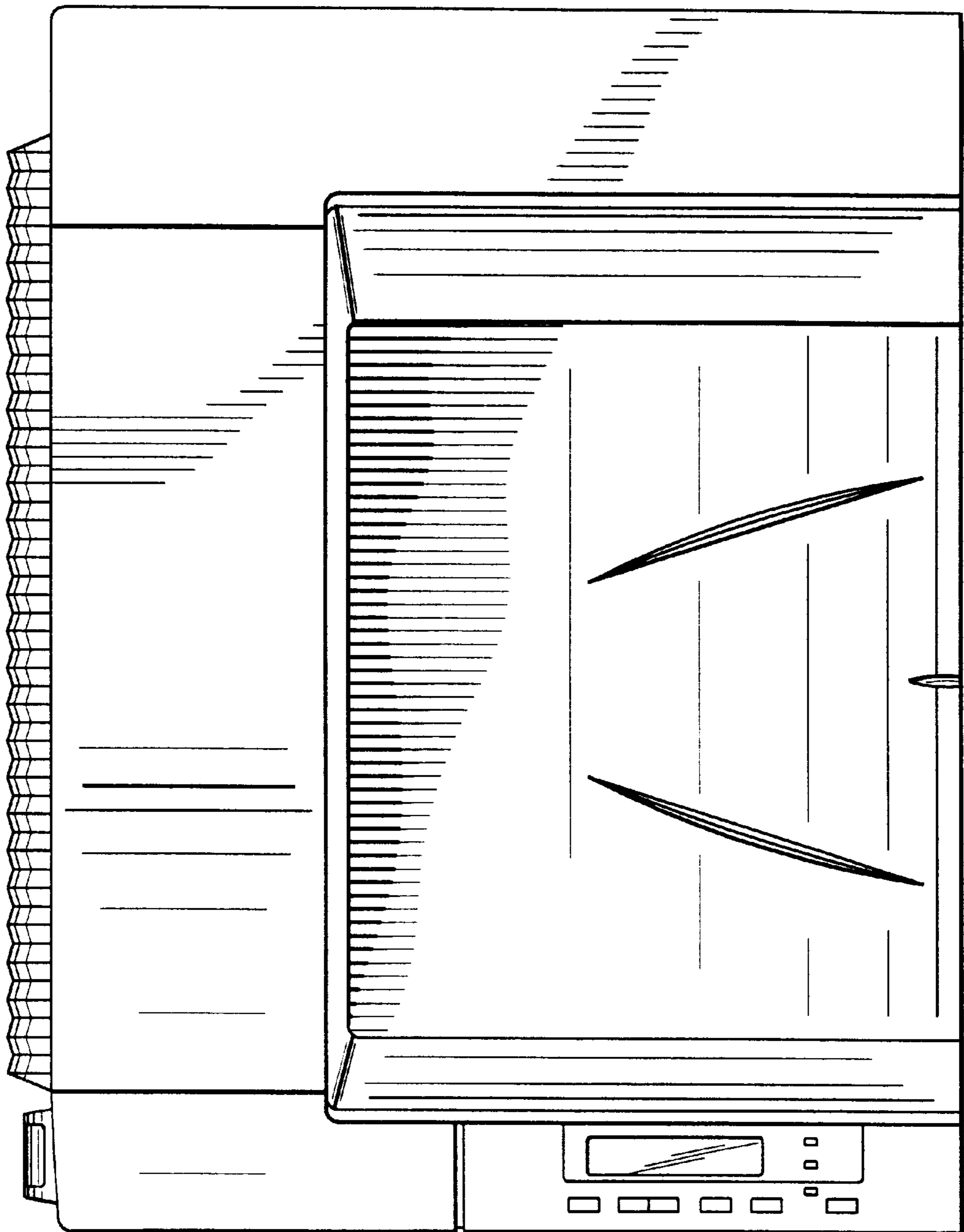


Fig.2

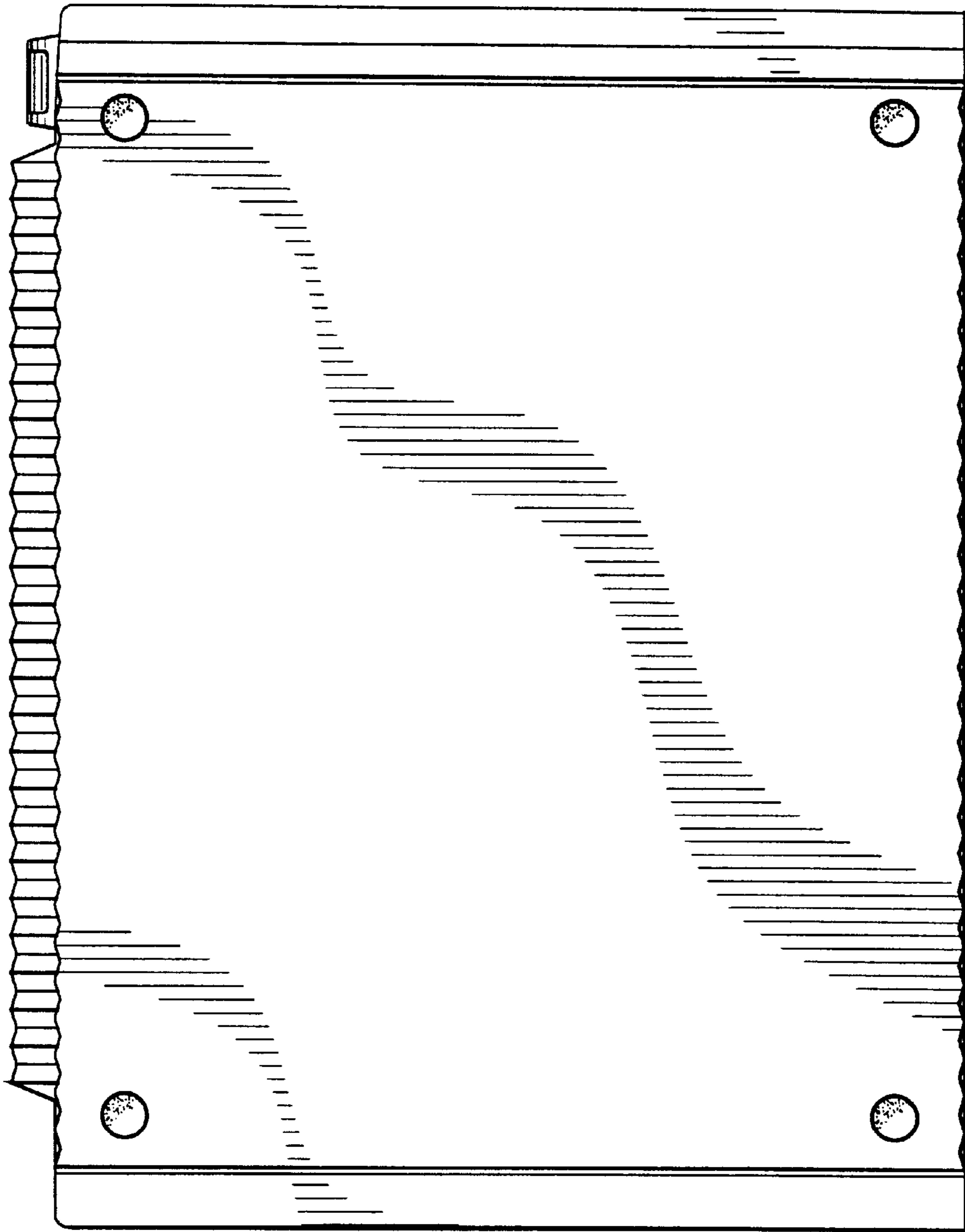


Fig.3

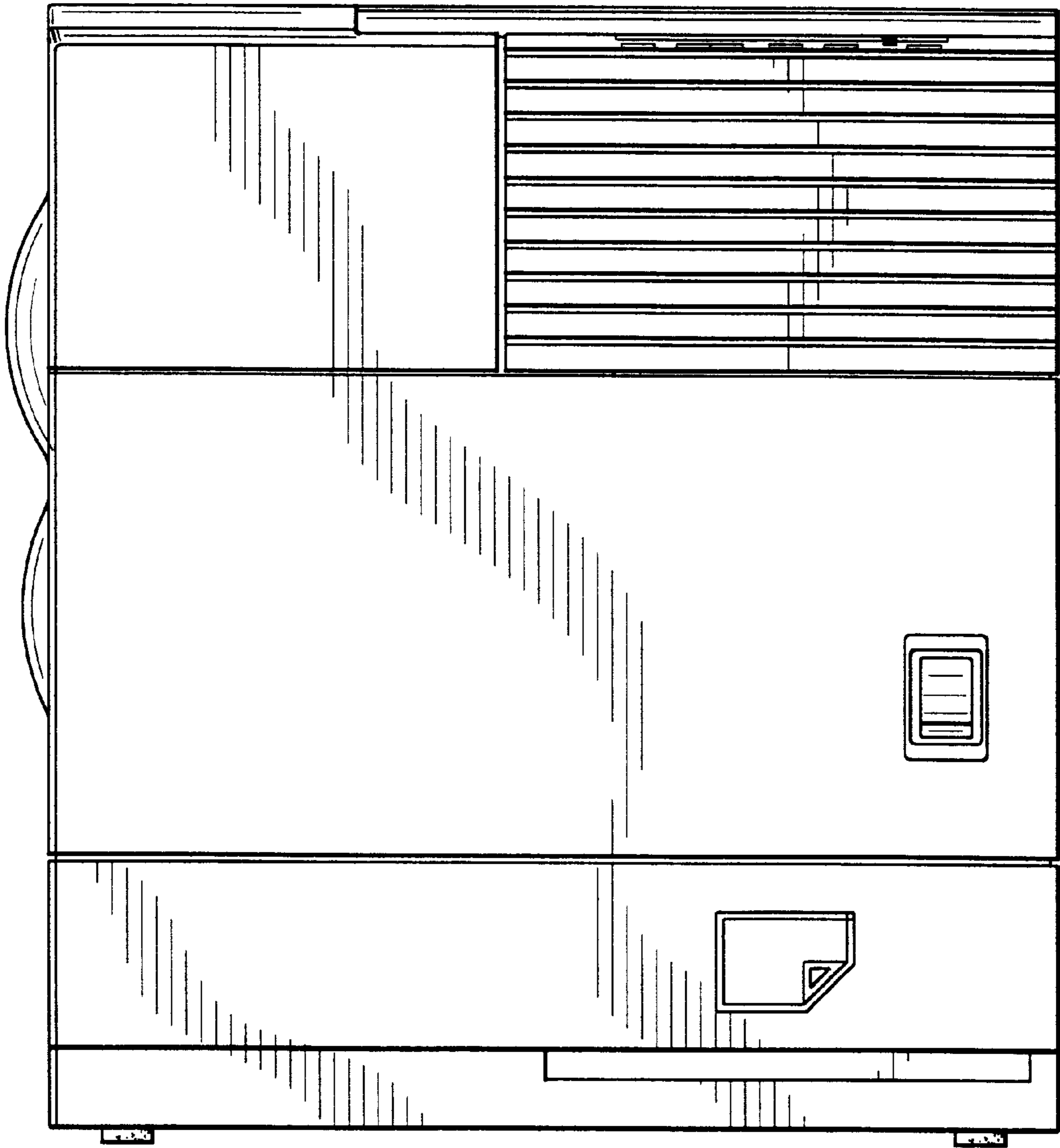


Fig.4

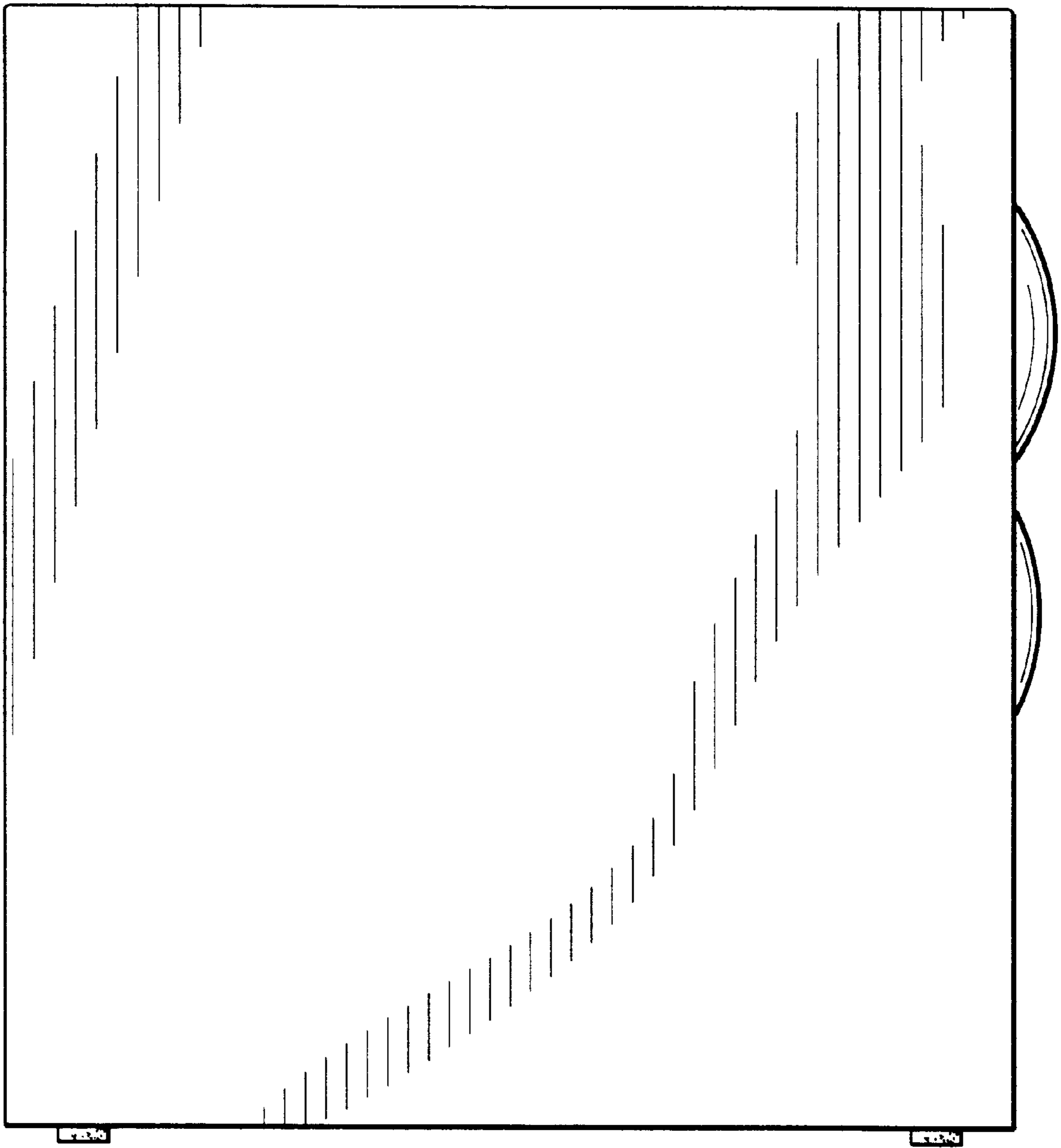


Fig.5

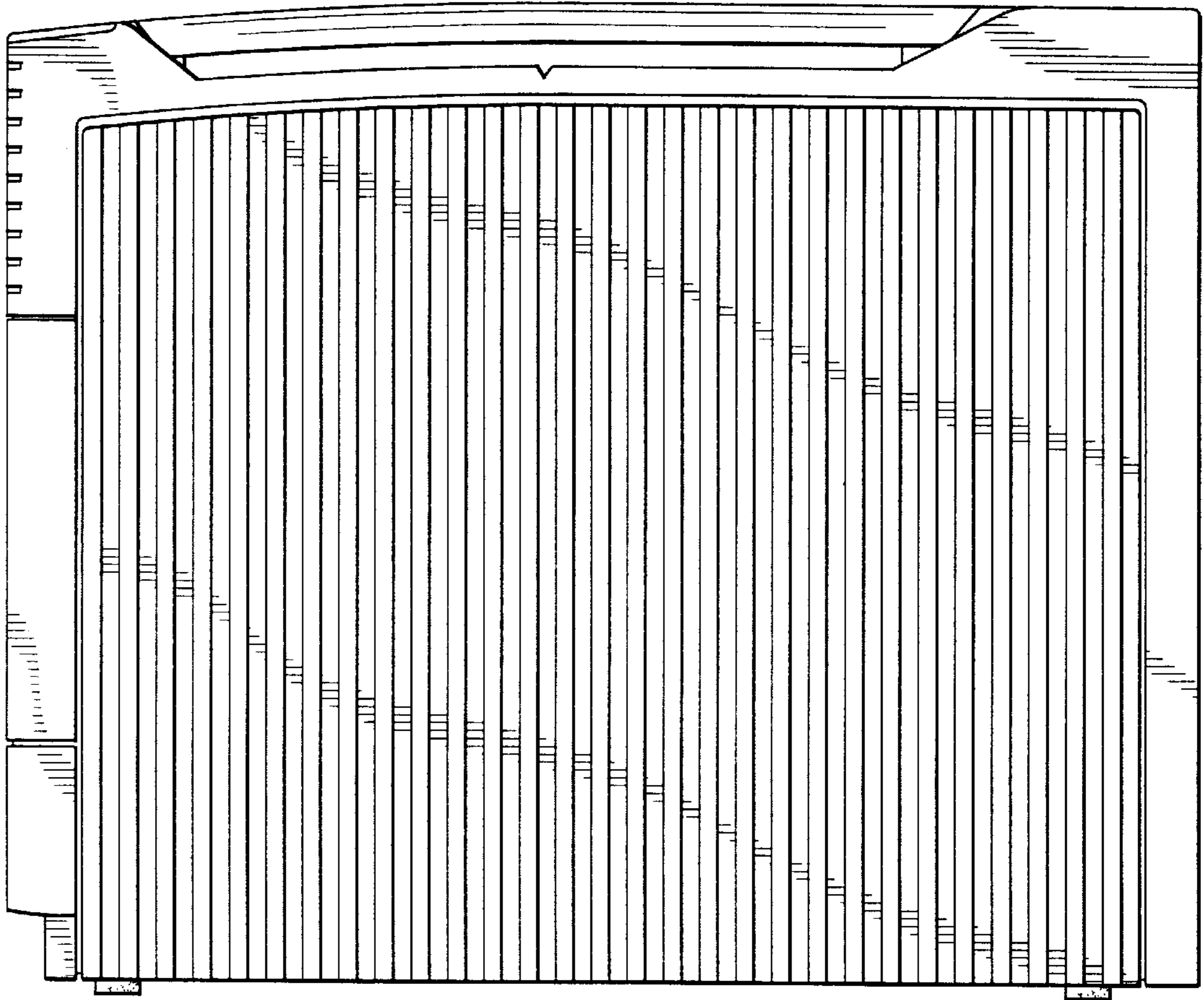


Fig.6

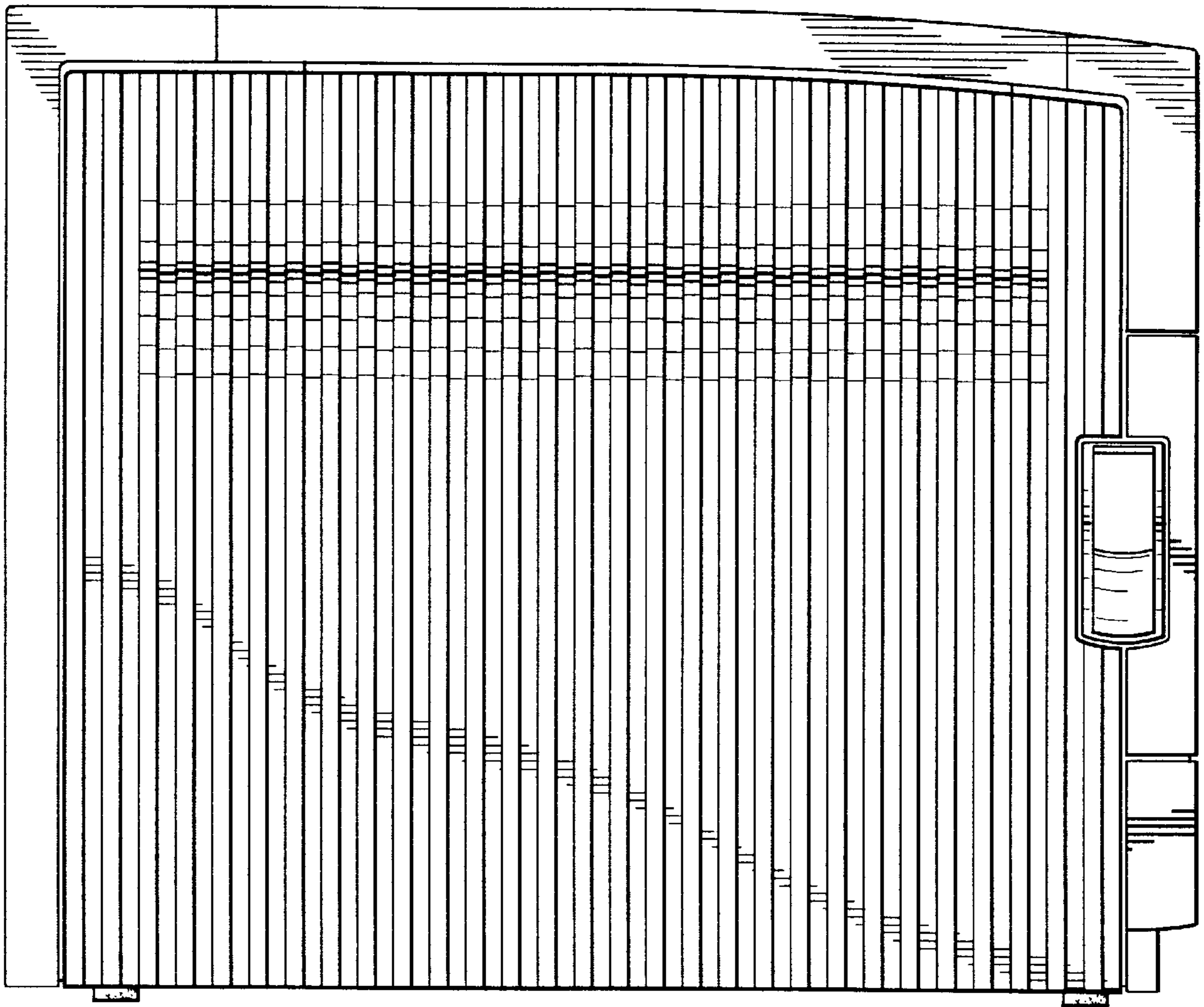


Fig.7