



US00D441784S

(12) **United States Design Patent**
Leong et al.

(10) **Patent No.:** **US D441,784 S**

(45) **Date of Patent:** **** May 8, 2001**

(54) **COMBINED PRINTER, FACSIMILE, COPIER AND SCANNER**

(75) Inventors: **David W. Leong**, San Diego; **Richard Neil Tverdoch**, Encinitas, both of CA (US)

(73) Assignee: **Hewlett-Packard Comapny**, Palo Alto, CA (US)

(**) Term: **14 Years**

(21) Appl. No.: **29/121,820**

(22) Filed: **Apr. 13, 2000**

(51) **LOC (7) Cl.** **14-02**

(52) **U.S. Cl.** **D18/55; D18/36; D14/422; D14/470**

(58) **Field of Search** D18/36-39, 50, D18/54-55; D14/420-431, 462-470; 400/613, 613.1-613.4, 691-694, 690.1-690.4; 355/19, 128; 358/400-401, 501-502, 505-506, 468

(56) **References Cited**

U.S. PATENT DOCUMENTS

D. 363,713 * 10/1995 Kanari et al. D14/468

D. 377,370 * 1/1997 Escobedo et al. D18/55
D. 387,344 * 12/1997 Isomoto D14/470
D. 399,524 * 10/1998 Nakajima D18/50
D. 421,042 * 2/2000 Short et al. D18/36
D. 422,301 * 4/2000 Short et al. D18/36
D. 434,066 * 11/2000 Short et al. D18/36
D. 434,434 * 11/2000 Short et al. D18/36
5,863,141 * 1/1999 Hong et al. 400/692
5,986,776 * 11/1999 Park 358/400

* cited by examiner

Primary Examiner—Cathy Anne MacCormac

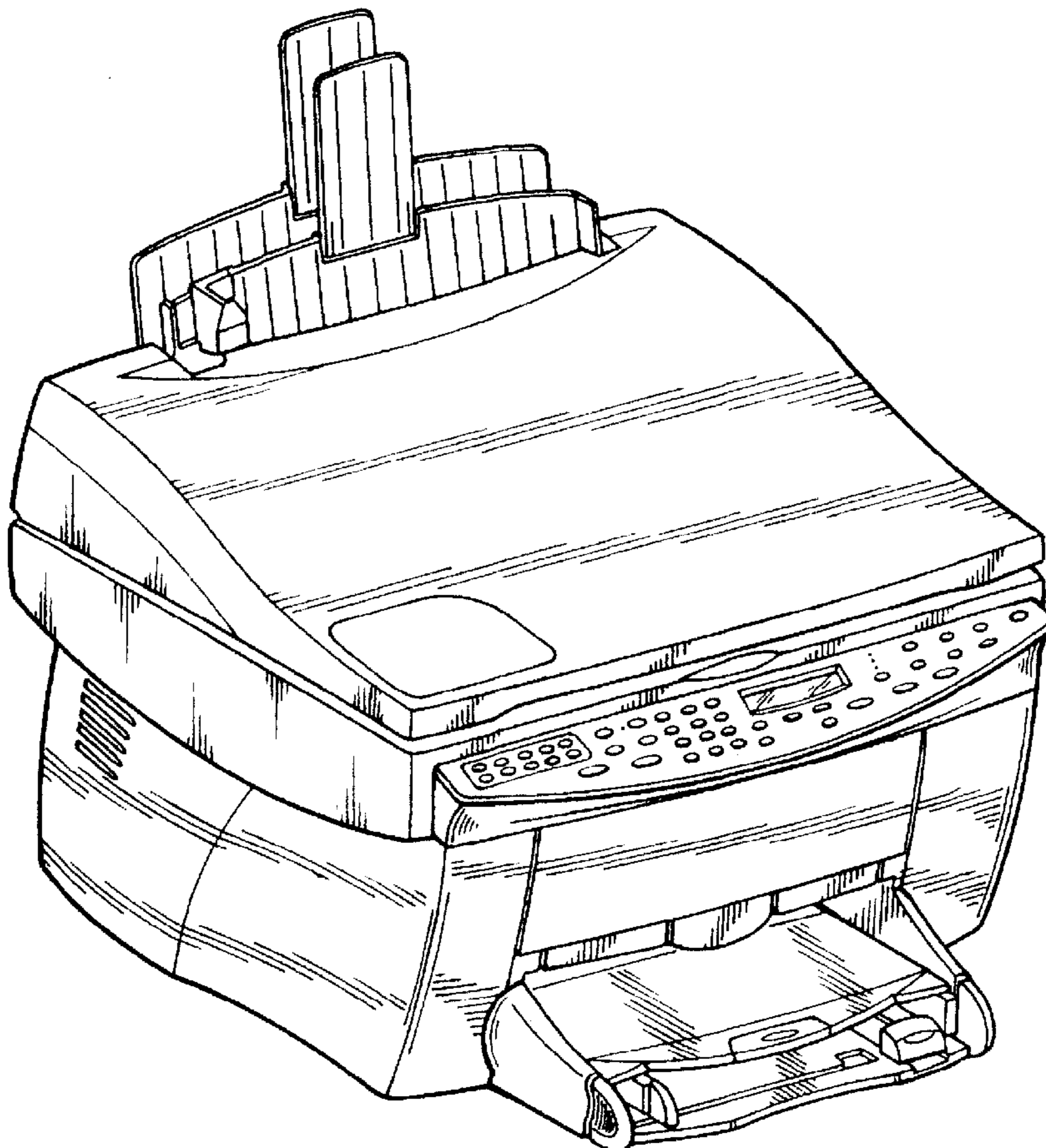
(57) **CLAIM**

The ornamental design for a combined printer, facsimile, copier and scanner, as shown.

DESCRIPTION

FIG. 1 is a front perspective view of a combined printer, facsimile, copier and scanner showing the new design; FIG. 2 is a right side elevational view thereof; FIG. 3 is a rear elevational view thereof; FIG. 4 is a left side elevational view thereof; FIG. 5 is a bottom plan view thereof; FIG. 6 is a top plan view thereof; and, FIG. 7 is a front elevational view thereof.

1 Claim, 4 Drawing Sheets



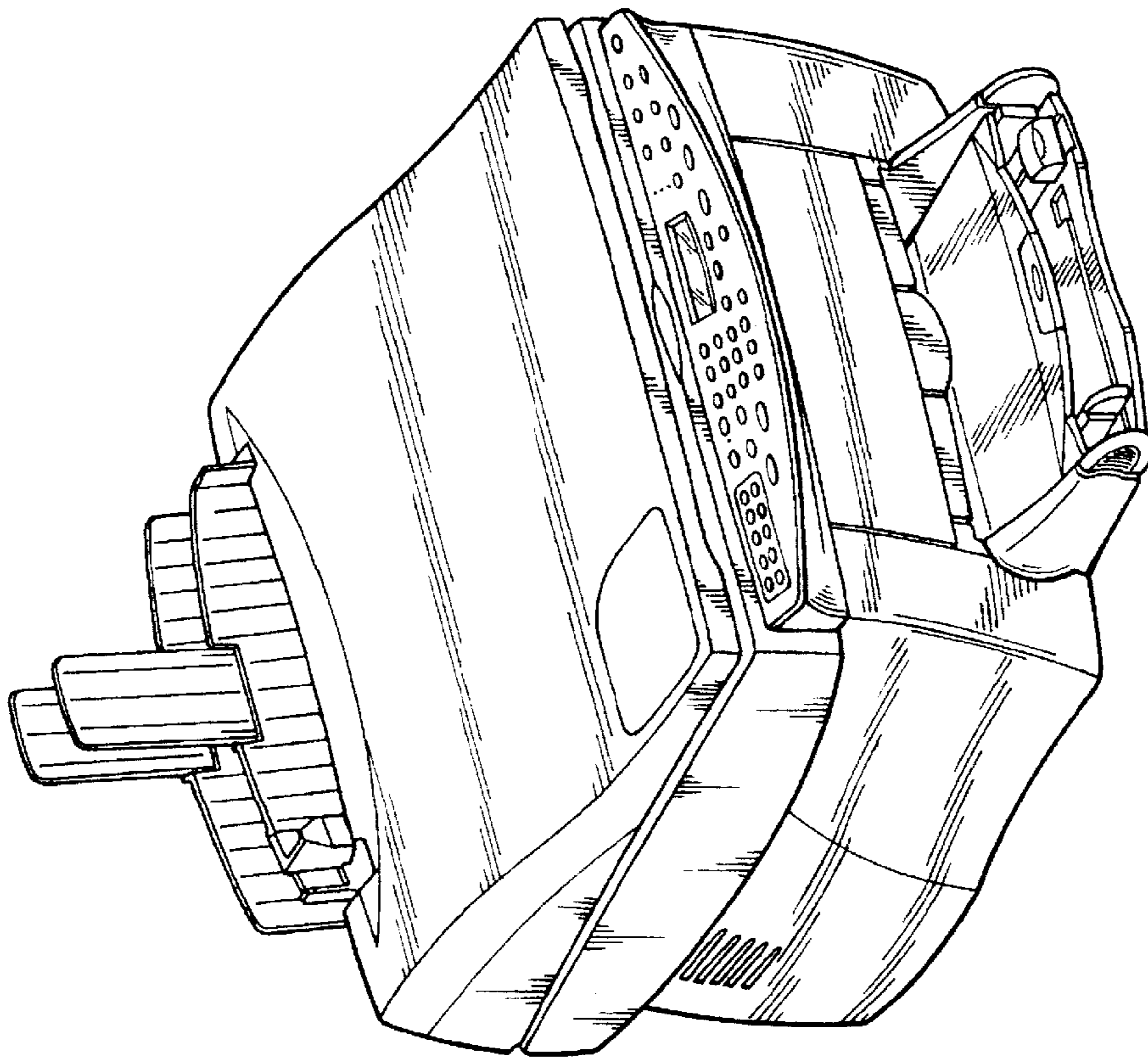


FIG. 1

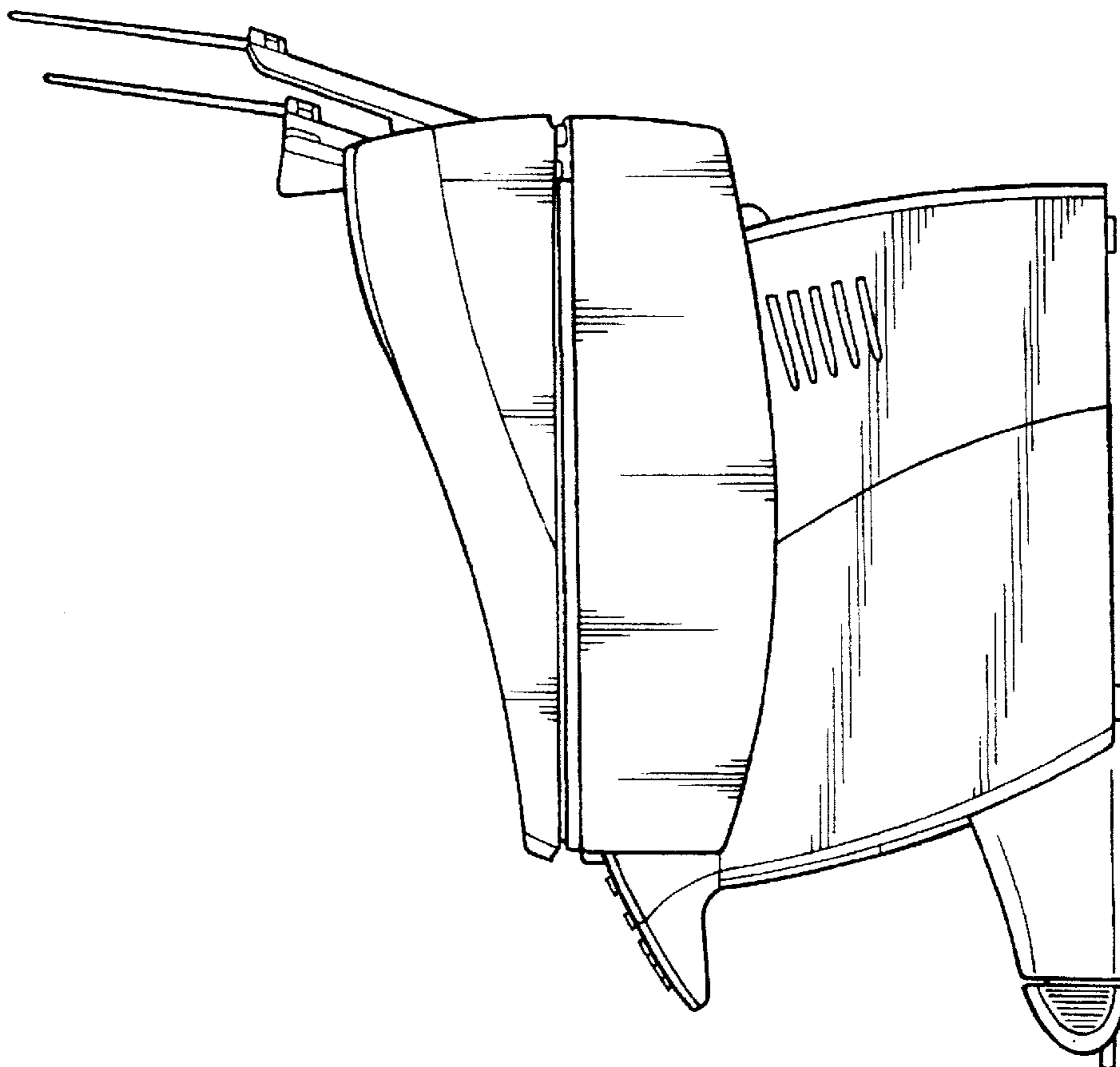


FIG. 2

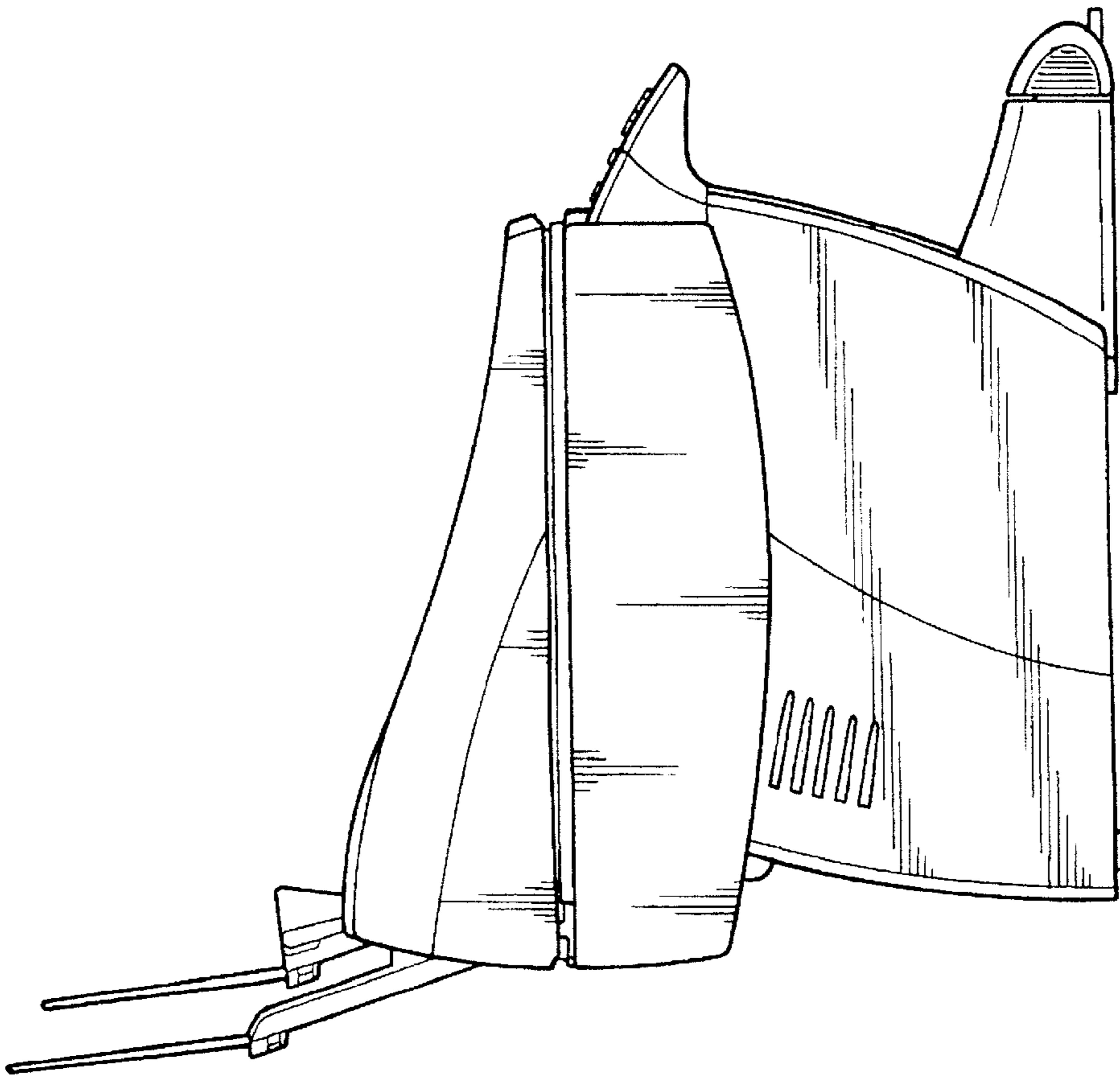


FIG. 4

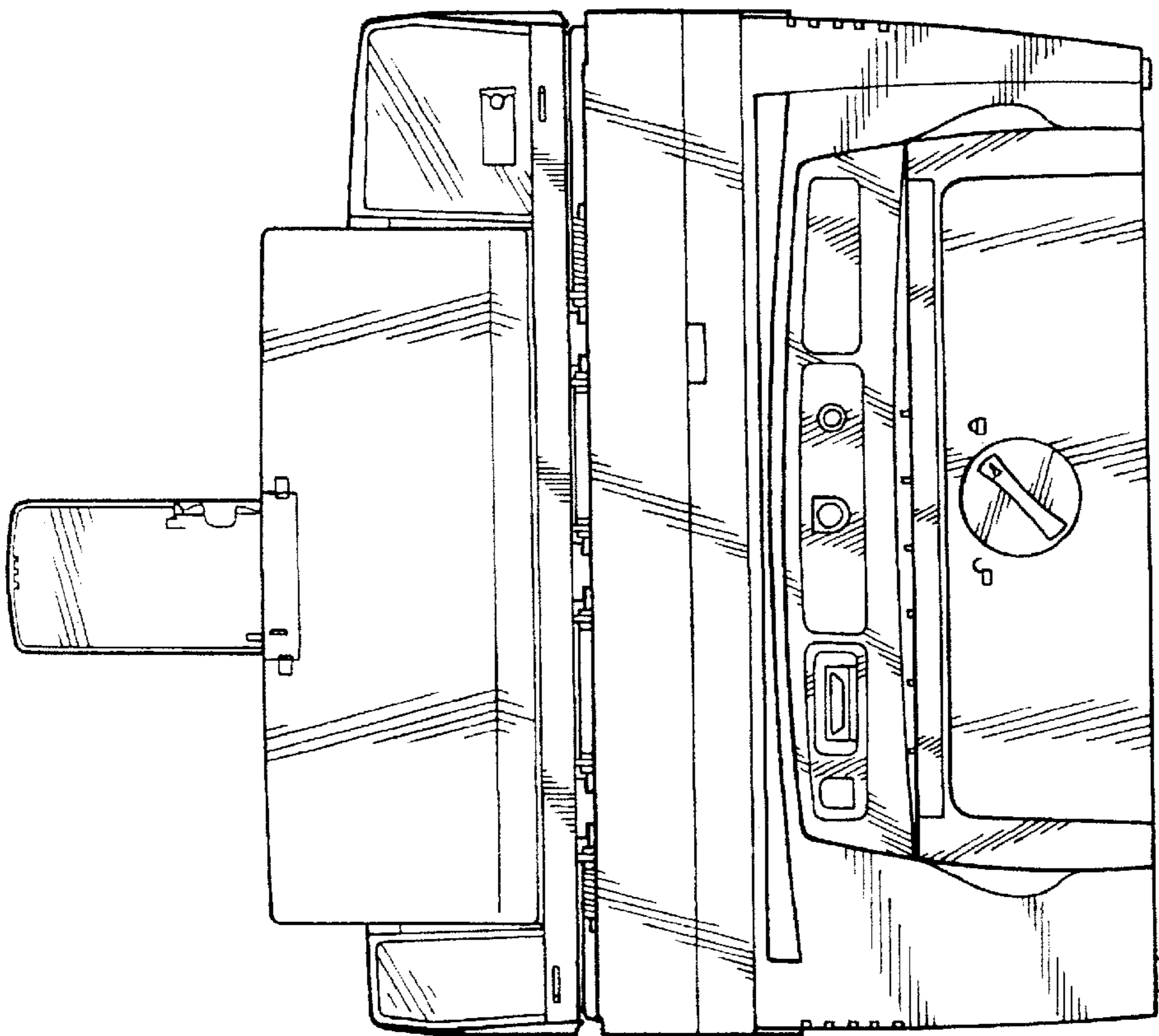


FIG. 3

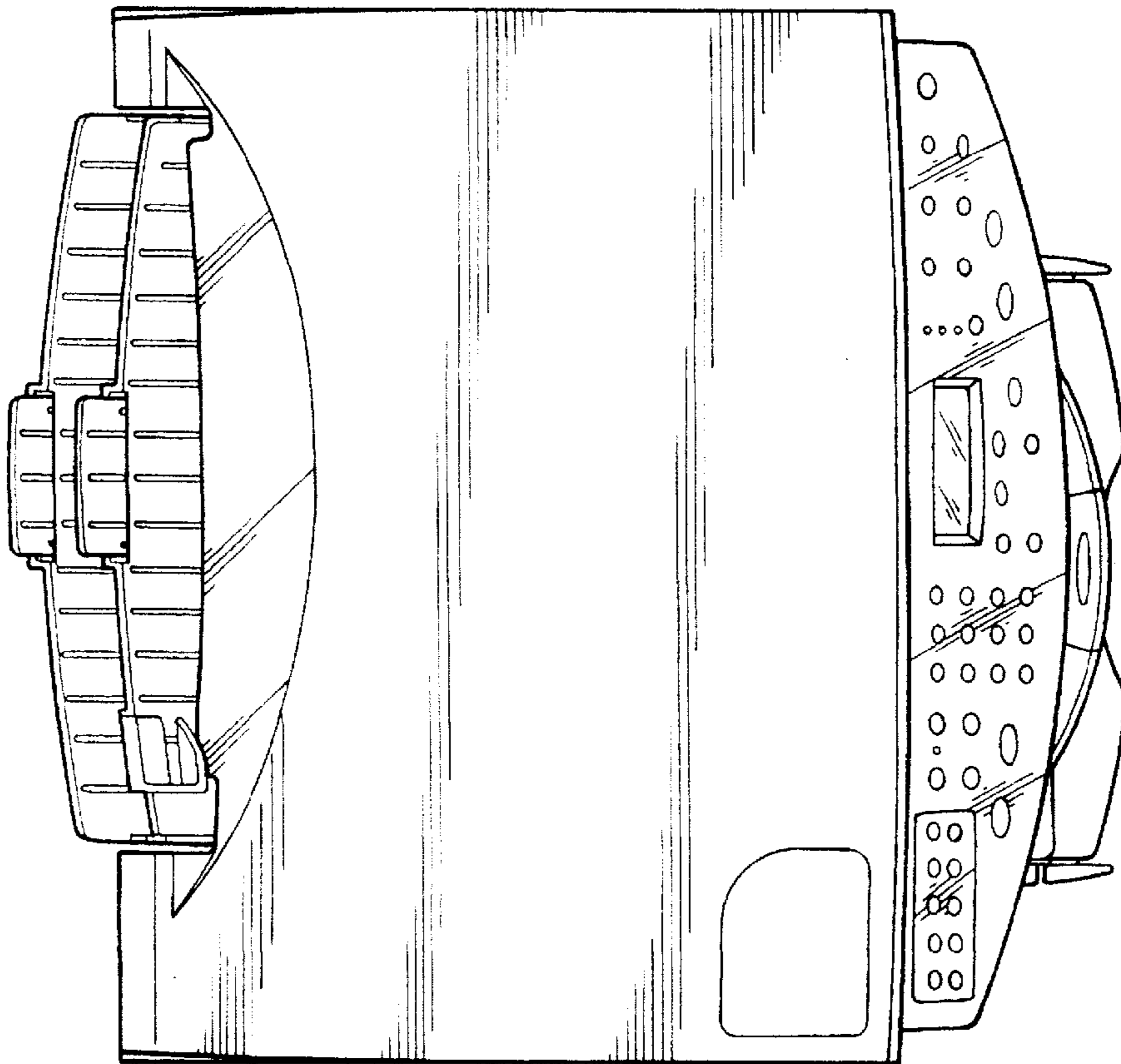


FIG. 6

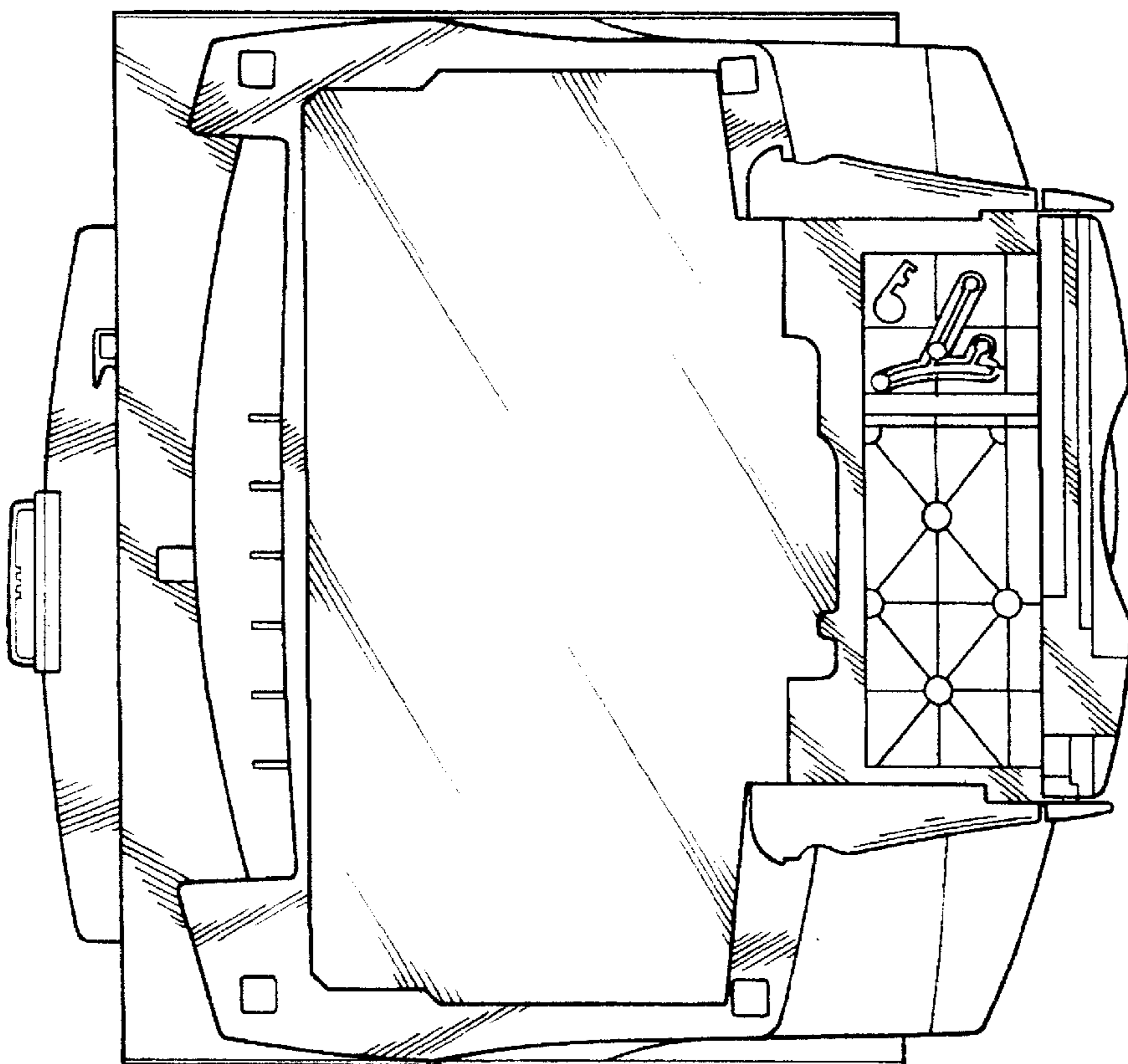


FIG. 5

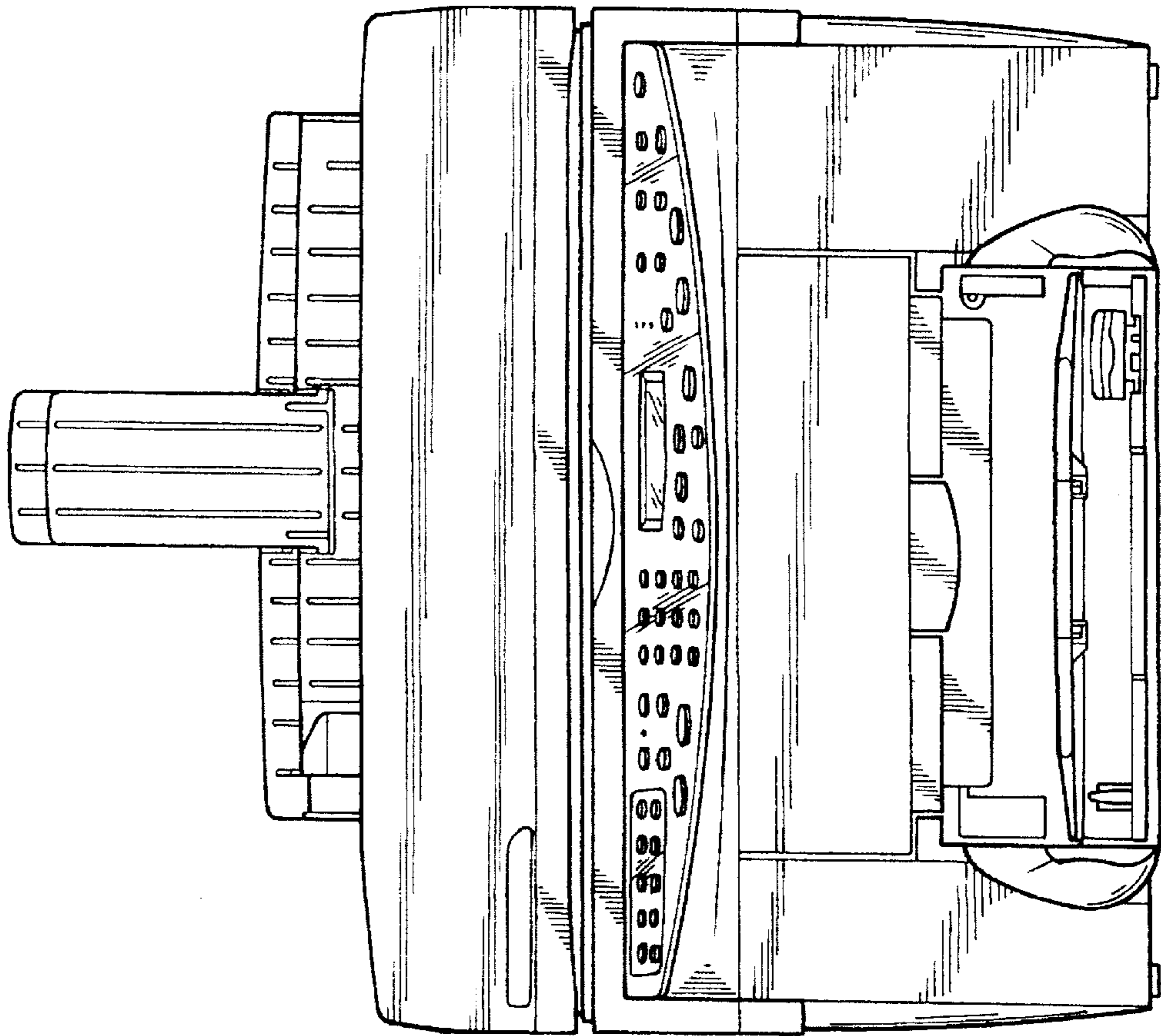


FIG. 7