



US00D441783S

(12) **United States Design Patent**  
**Kawahara et al.**

(10) **Patent No.:** **US D441,783 S**

(45) **Date of Patent:** **\*\* May 8, 2001**

(54) **INKJET PRINTER**

(75) Inventors: **Manabu Kawahara; Yoshihiro Tatara; Masahiko Kobayashi; Kazuhiro Miyoshi; Hiromi Shishiuchi; Keisuke Inoue; Takeo Kishida**, all of Nagano-ken (JP)

(73) Assignee: **Seiko Epson Corporation**, Nagano-ken (JP)

(\*\*) Term: **14 Years**

(21) Appl. No.: **29/121,045**

(22) Filed: **Mar. 30, 2000**

(30) **Foreign Application Priority Data**

Sep. 30, 1999 (JP) ..... 11-26358

(51) **LOC (7) Cl.** ..... **18-02**

(52) **U.S. Cl.** ..... **D18/55**

(58) **Field of Search** ..... D18/50, 54-55;  
D14/462-470; 400/613, 613.1-613.4, 690.1-690.4,  
691-694

(56) **References Cited**

**U.S. PATENT DOCUMENTS**

D. 378,378 \* 3/1997 Nakazawa et al. .... D18/54

D. 379,827 \* 6/1997 Andre ..... D18/54

D. 390,258 \* 2/1998 Kawahara et al. .... D18/55  
D. 393,870 \* 4/1998 Kobayashi et al. .... D18/55  
D. 400,918 \* 11/1998 Kobayashi et al. .... D18/55  
D. 411,228 \* 6/1999 Kobayashi et al. .... D18/50  
D. 430,894 \* 9/2000 Inoue ..... D18/54  
D. 433,442 \* 11/2000 Clark, III ..... D18/55

\* cited by examiner

*Primary Examiner*—Cathy Anne MacCormac

(74) *Attorney, Agent, or Firm*—Sughrue, Mion, Zinn, Macpeak & Seas, PLLC

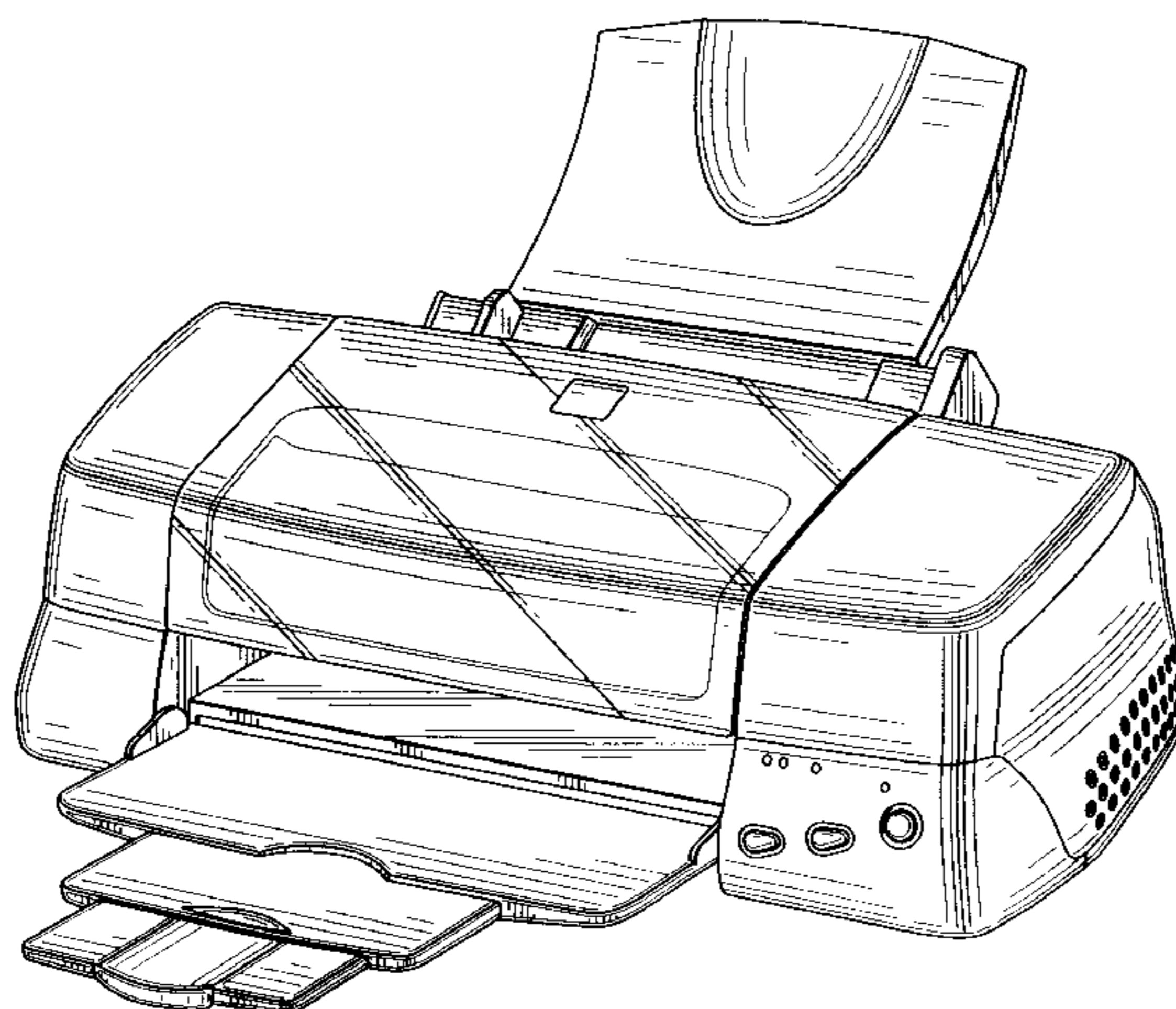
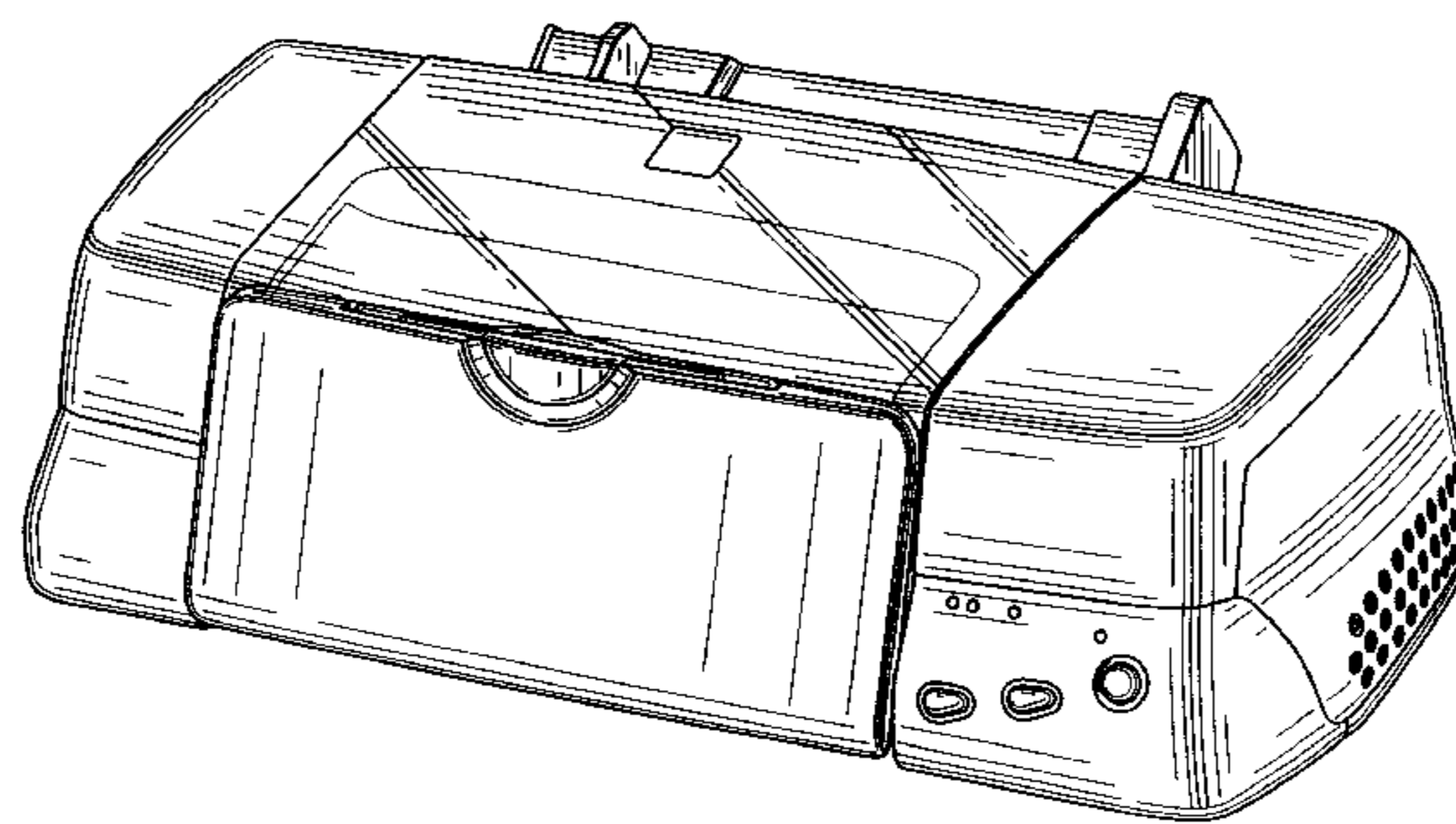
(57) **CLAIM**

The ornamental design for an inkjet printer, as shown and described.

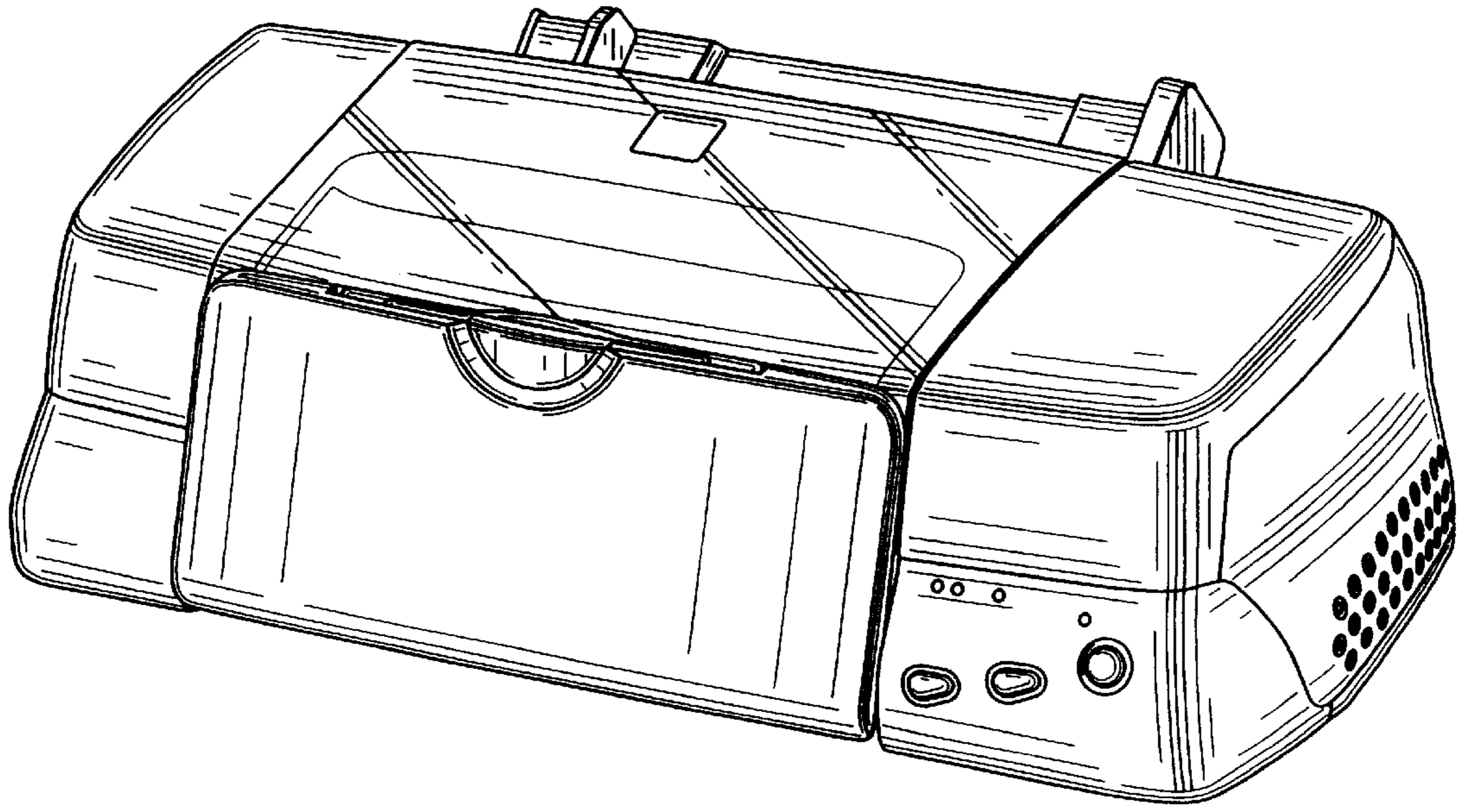
**DESCRIPTION**

FIG. 1 is a perspective view of the top, front and right side of an inkjet printer showing our new design; FIG. 2 is a front elevational view thereof; FIG. 3 is a top plan view thereof; FIG. 4 is a bottom plan view thereof; FIG. 5 is a right side elevational view thereof; FIG. 6 is a left side elevational view thereof; FIG. 7 is a rear elevational view thereof; and, FIG. 8 is a view similar to FIG. 1 with paper guiding sheets in the extended position.

**1 Claim, 4 Drawing Sheets**



*FIG. 1*



*FIG. 2*

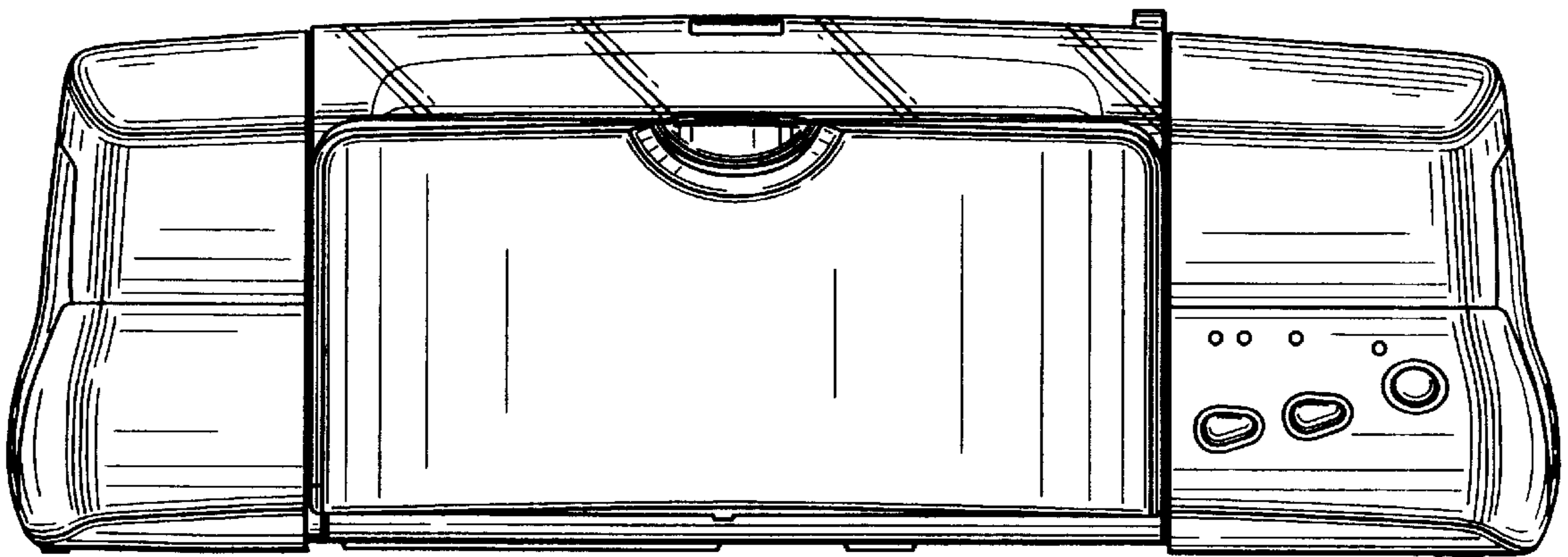


FIG. 3

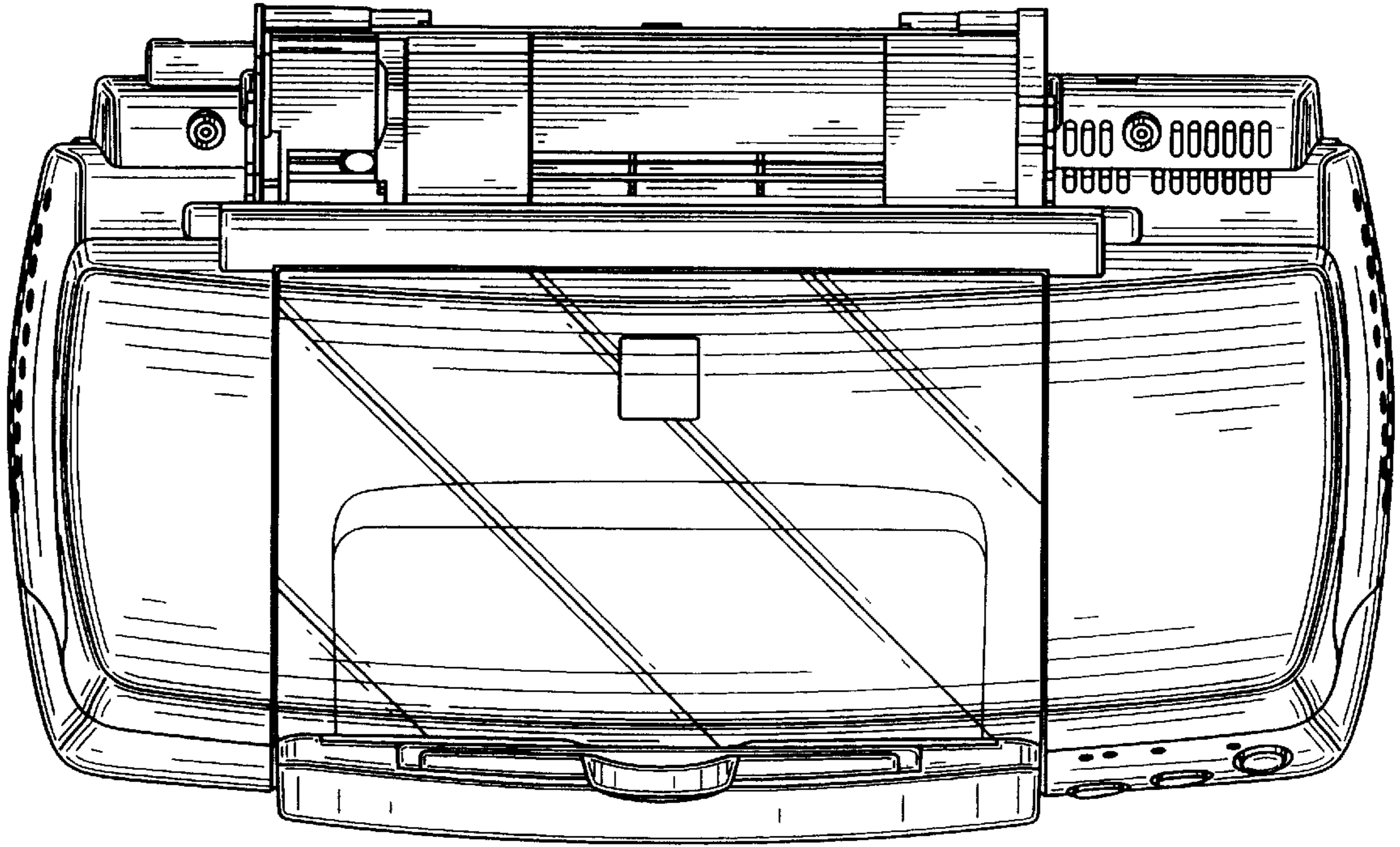
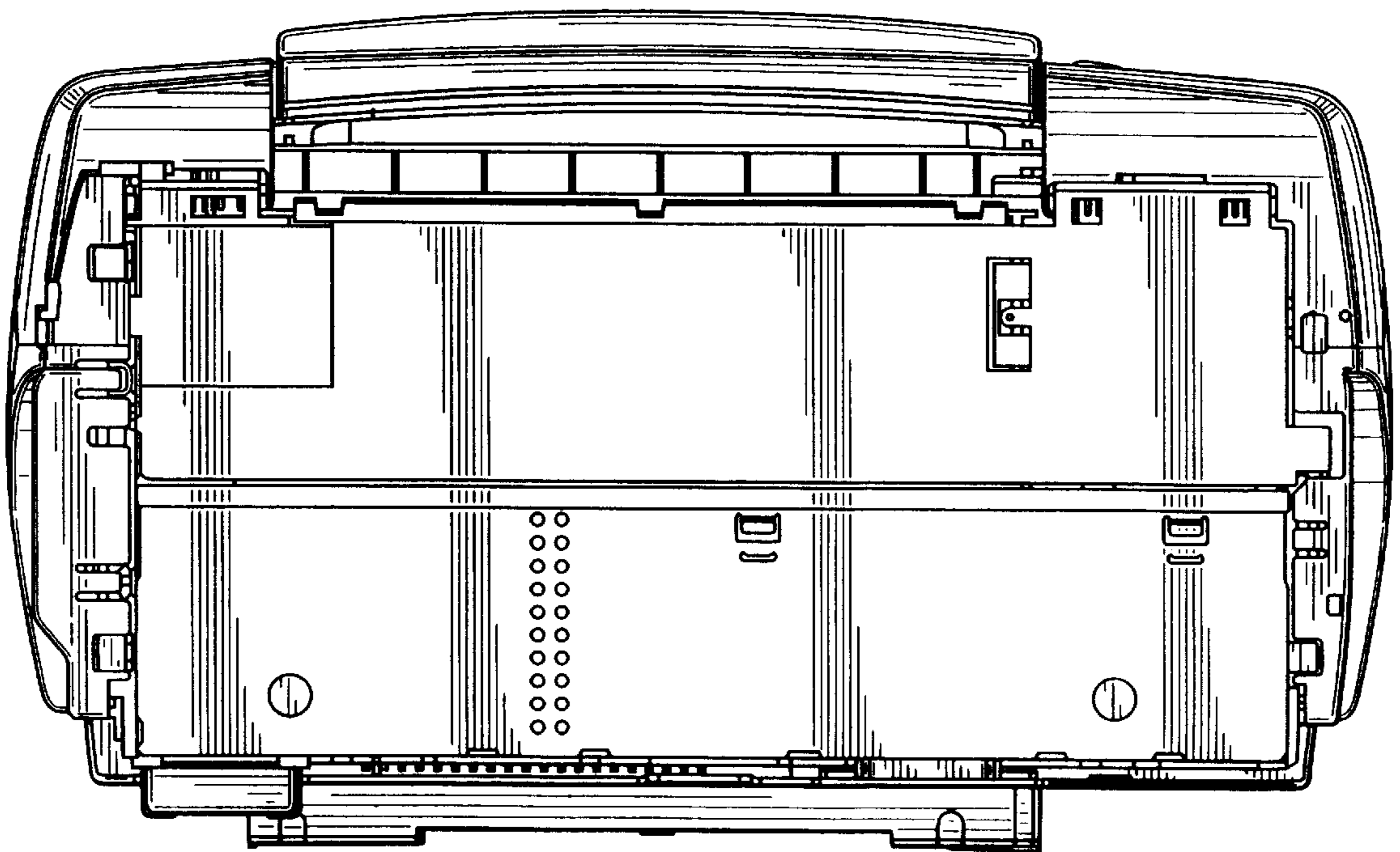
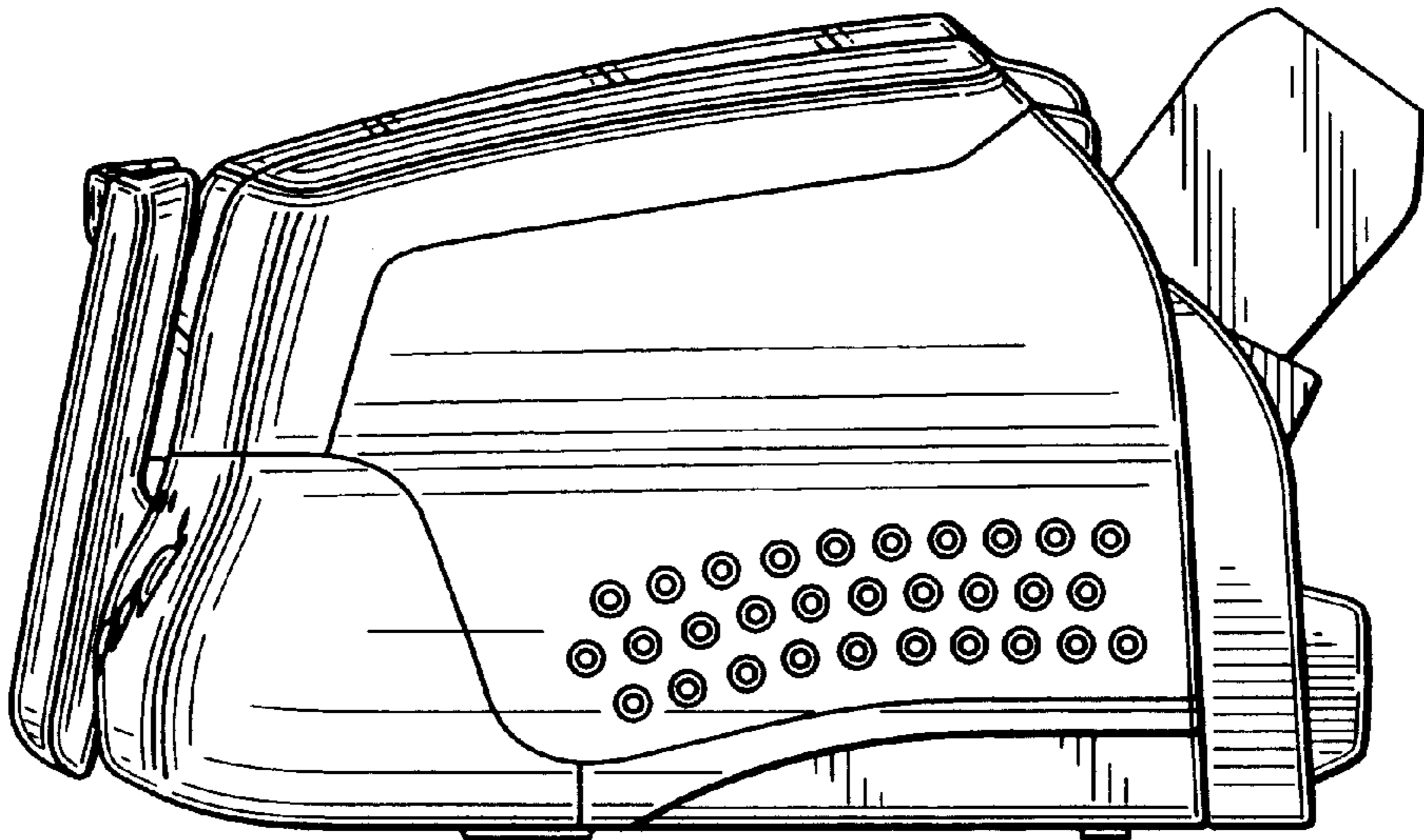


FIG. 4



**FIG. 5**



**FIG. 6**

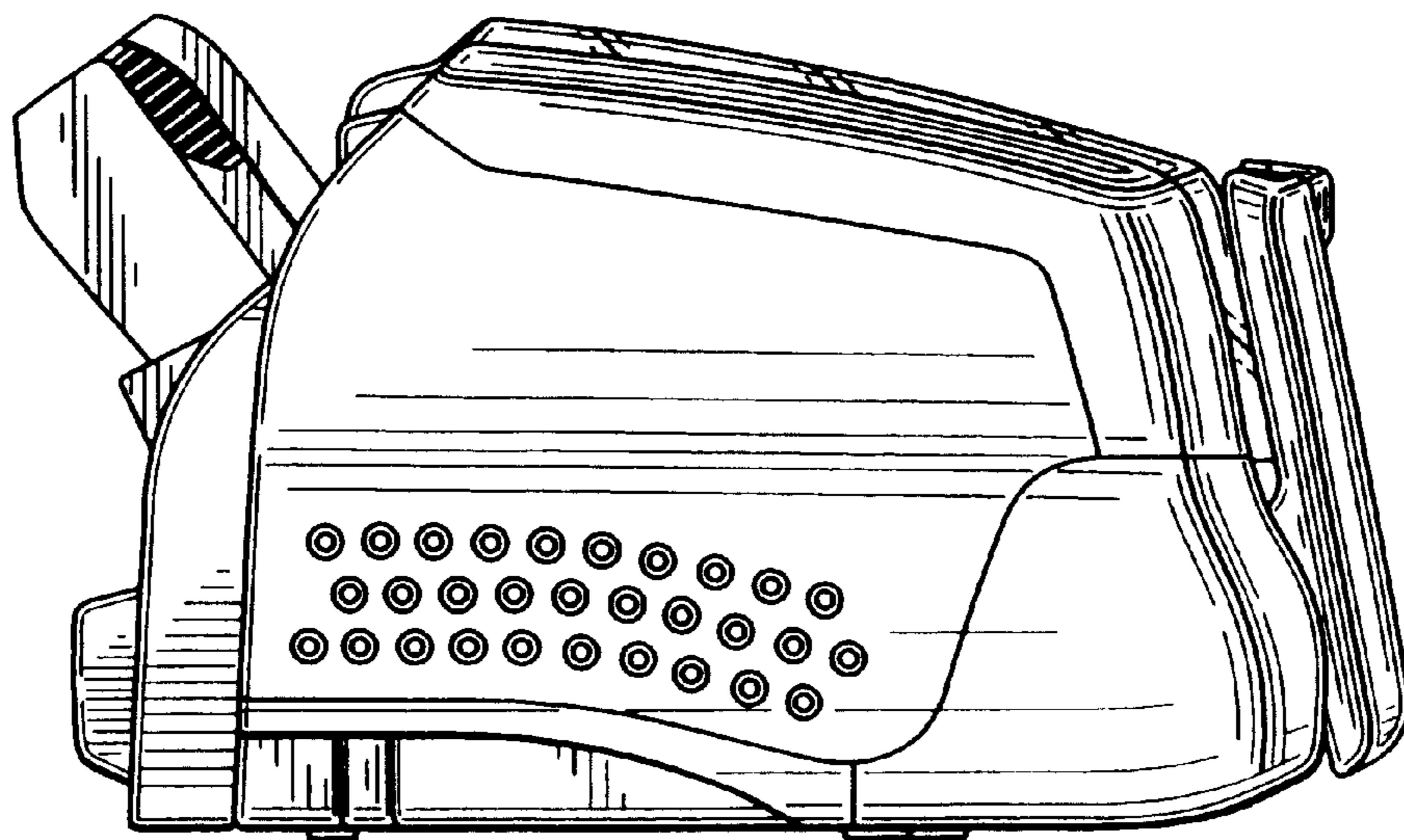


FIG. 7

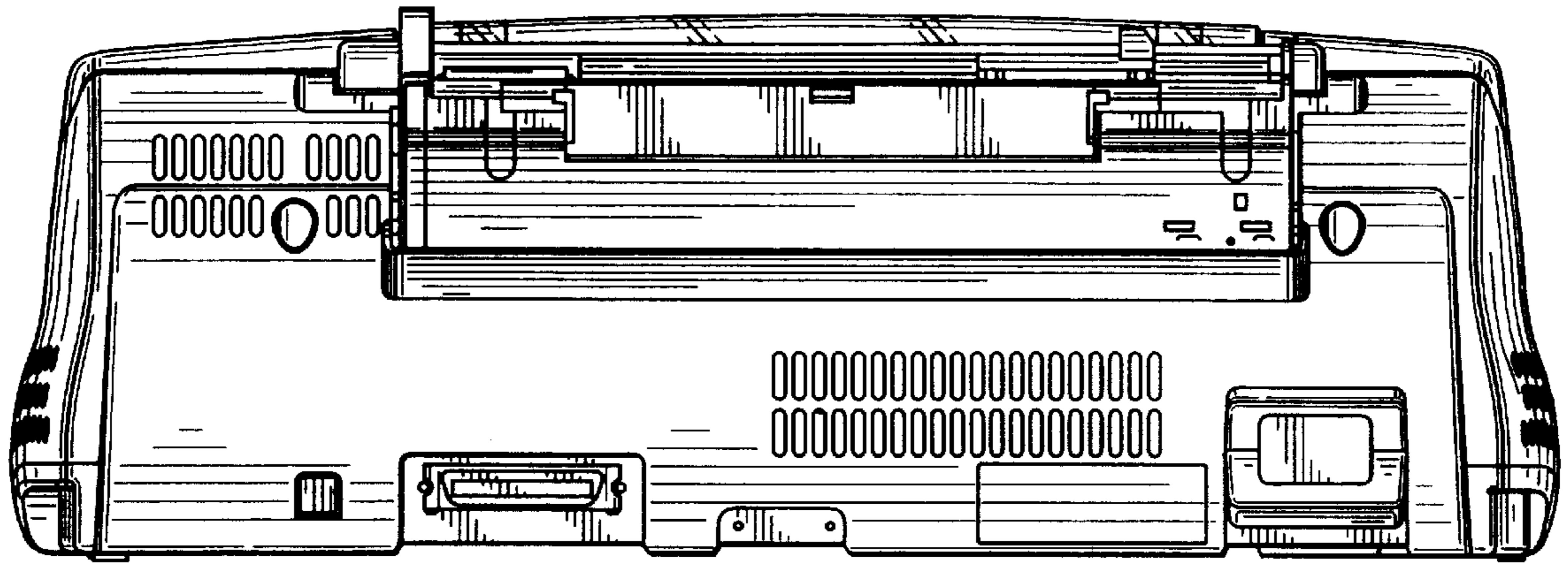


FIG. 8

