



US00D441778S

(12) **United States Design Patent**
Funakoshi

(10) **Patent No.:** **US D441,778 S**

(45) **Date of Patent:** **** May 8, 2001**

(54) **CAMERA**

(75) **Inventor:** **Yasuo Funakoshi, Hachioji (JP)**

(73) **Assignee:** **Olympus Optical Co., Ltd., Tokyo (JP)**

(**) **Term:** **14 Years**

(21) **Appl. No.:** **29/128,900**

(22) **Filed:** **Aug. 31, 2000**

(30) **Foreign Application Priority Data**

Apr. 28, 2000 (JP) 12-11592

(51) **LOC (7) Cl.** **16-01**

(52) **U.S. Cl.** **D16/202; D16/206**

(58) **Field of Search** **D16/200–206,**
D16/208, 209, 216–218; 348/373–376;
396/535–541, 61; 358/906, 909.1

(56) **References Cited**

U.S. PATENT DOCUMENTS

- D. 330,562 * 10/1992 Takada et al. D16/202
- D. 388,110 * 12/1997 Watarai et al. D16/217
- D. 402,301 * 12/1998 Sekine D16/202
- D. 408,040 * 4/1999 Miyahara D16/202
- D. 416,271 * 11/1999 Ikenaga D16/202

- D. 425,095 * 5/2000 Watarai et al. D16/217
- 4,945,372 * 7/1990 Higuchi et al. 396/61

OTHER PUBLICATIONS

Evans Gift Guide, 1991–1992 p. 329 Y (Olympus camera).*

* cited by examiner

Primary Examiner—Adir Aronovich

(74) *Attorney, Agent, or Firm*—Hogan & Hartson, LLP

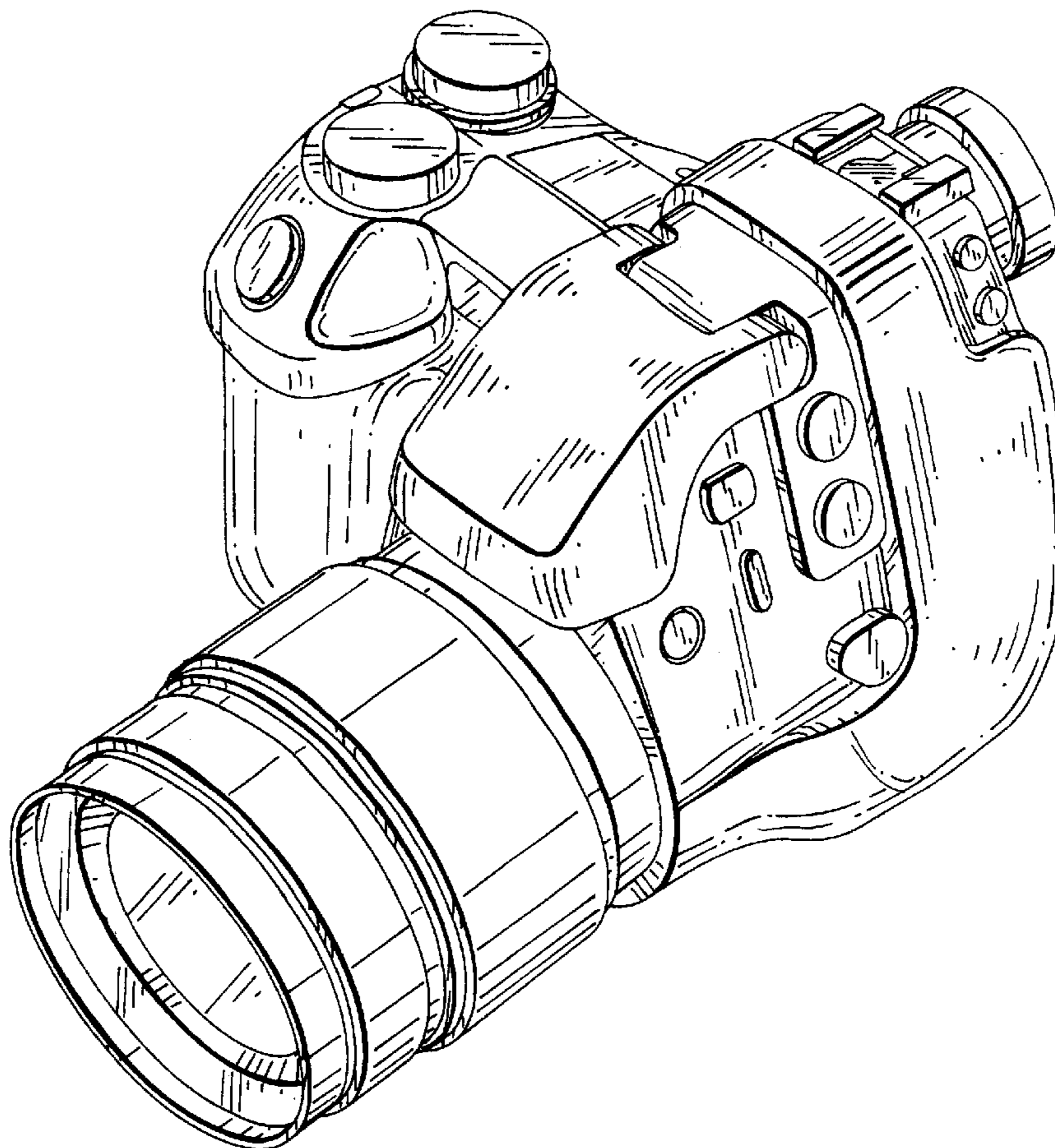
(57) **CLAIM**

The ornamental design for a camera, as shown and described.

DESCRIPTION

FIG. 1 is a front, top and right side perspective view of a camera, showing my new design;
 FIG. 2 is a front elevational view thereof;
 FIG. 3 is a top plan view thereof;
 FIG. 4 is a right side elevational view thereof;
 FIG. 5 is a left side elevational view thereof;
 FIG. 6 is a rear elevational view thereof;
 FIG. 7 is a bottom plan view thereof; and,
 FIG. 8 is a front, top and right side perspective view thereof with an electronic flashing unit set in a raised state.

1 Claim, 5 Drawing Sheets



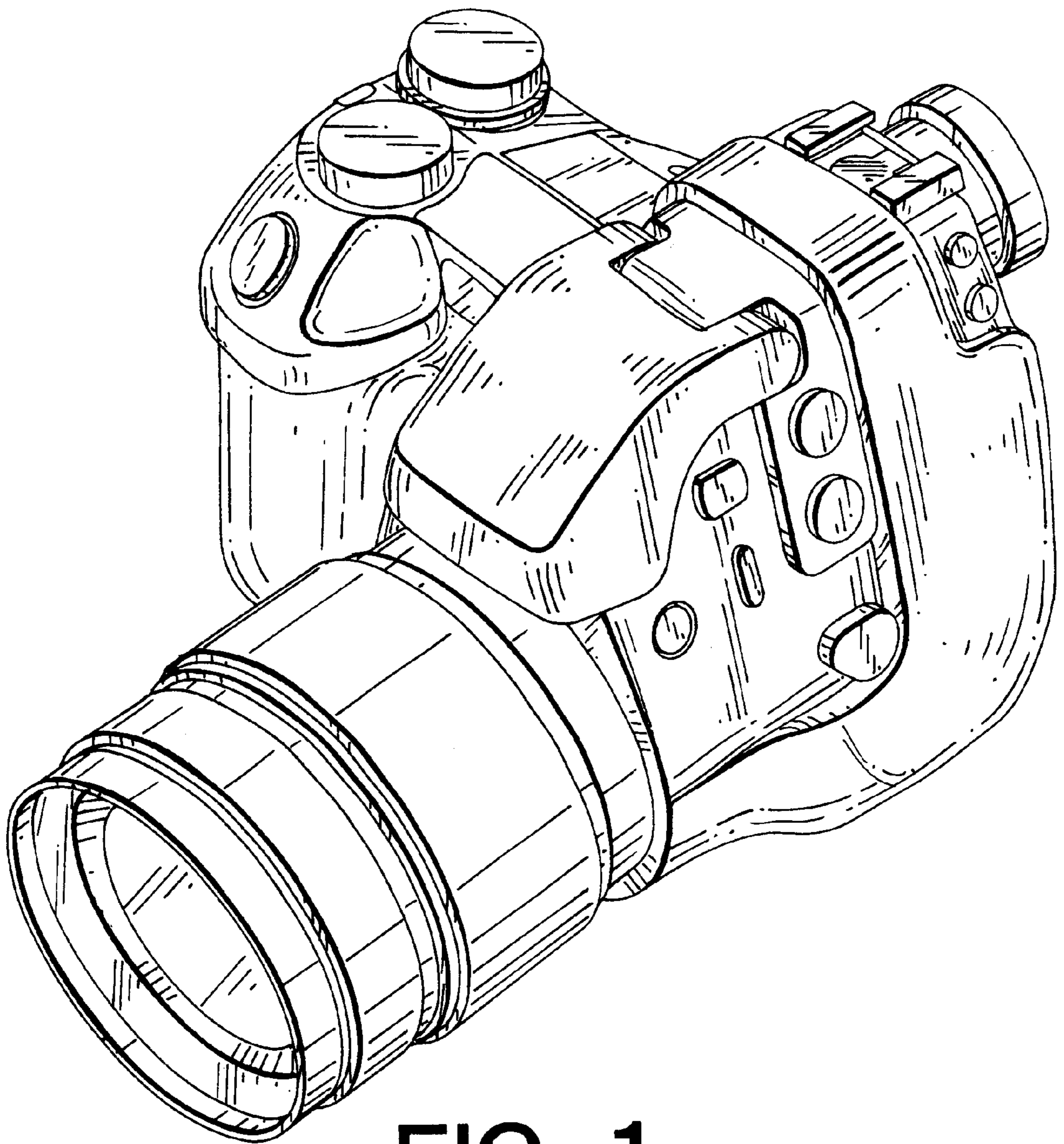


FIG. 1

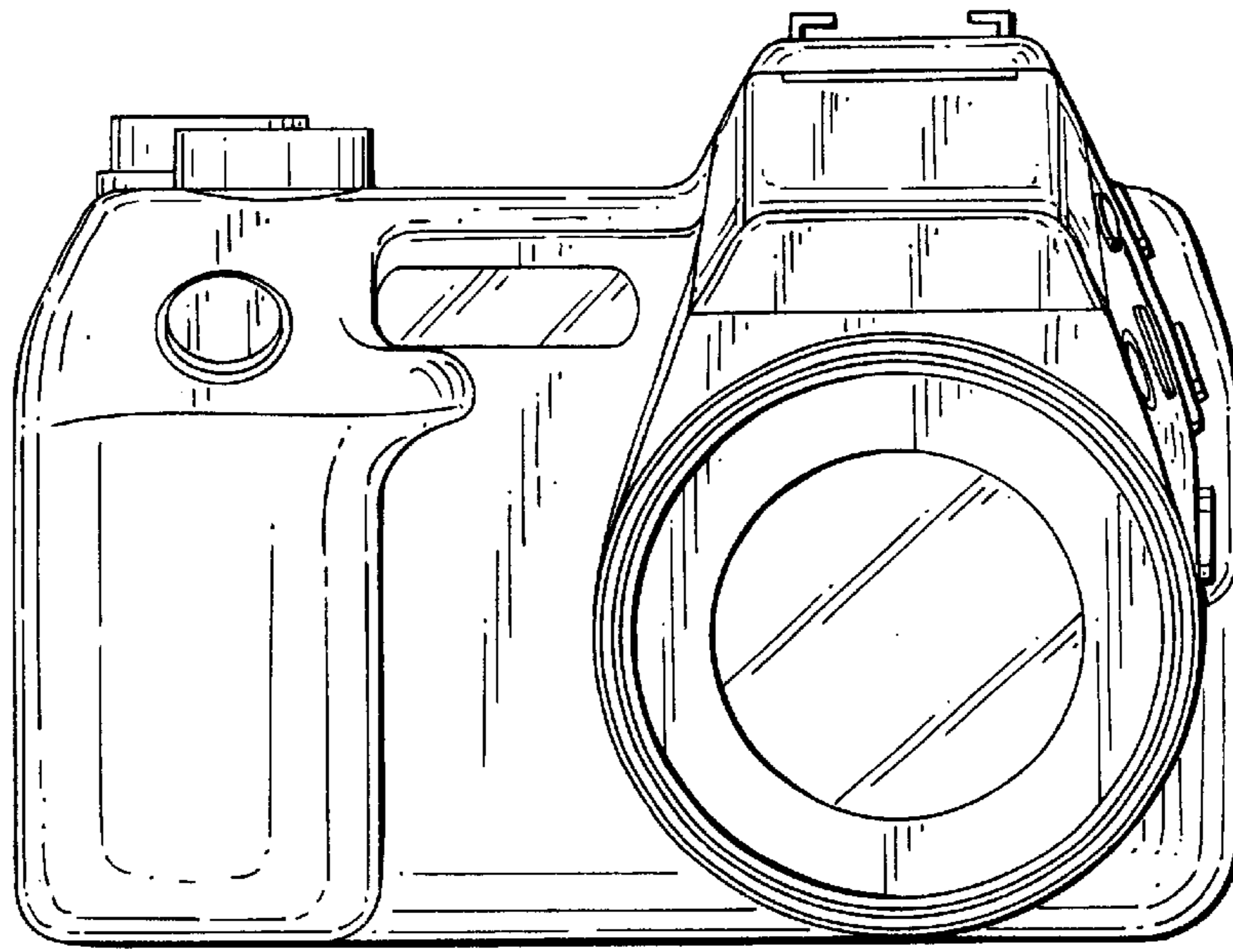


FIG. 2

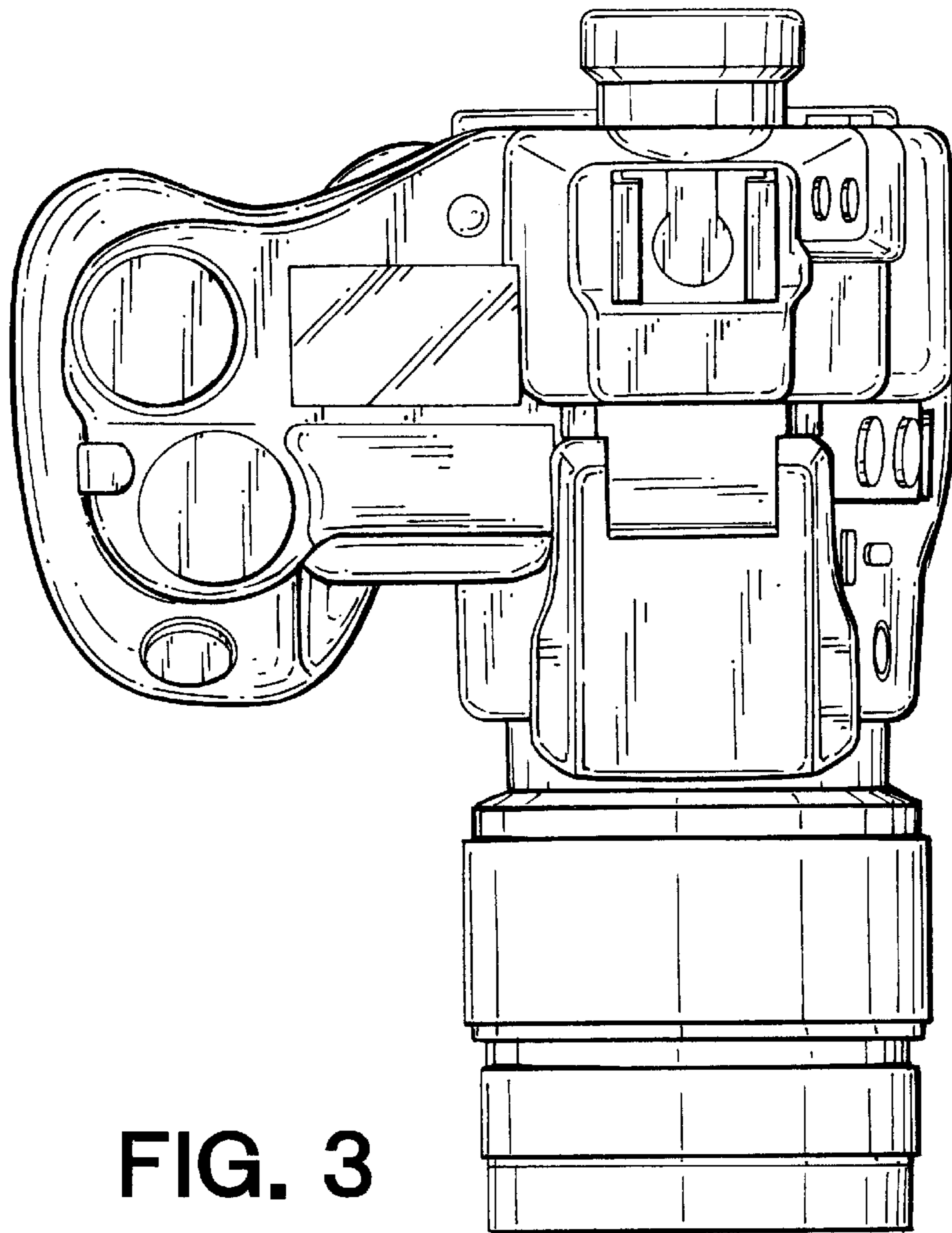


FIG. 3

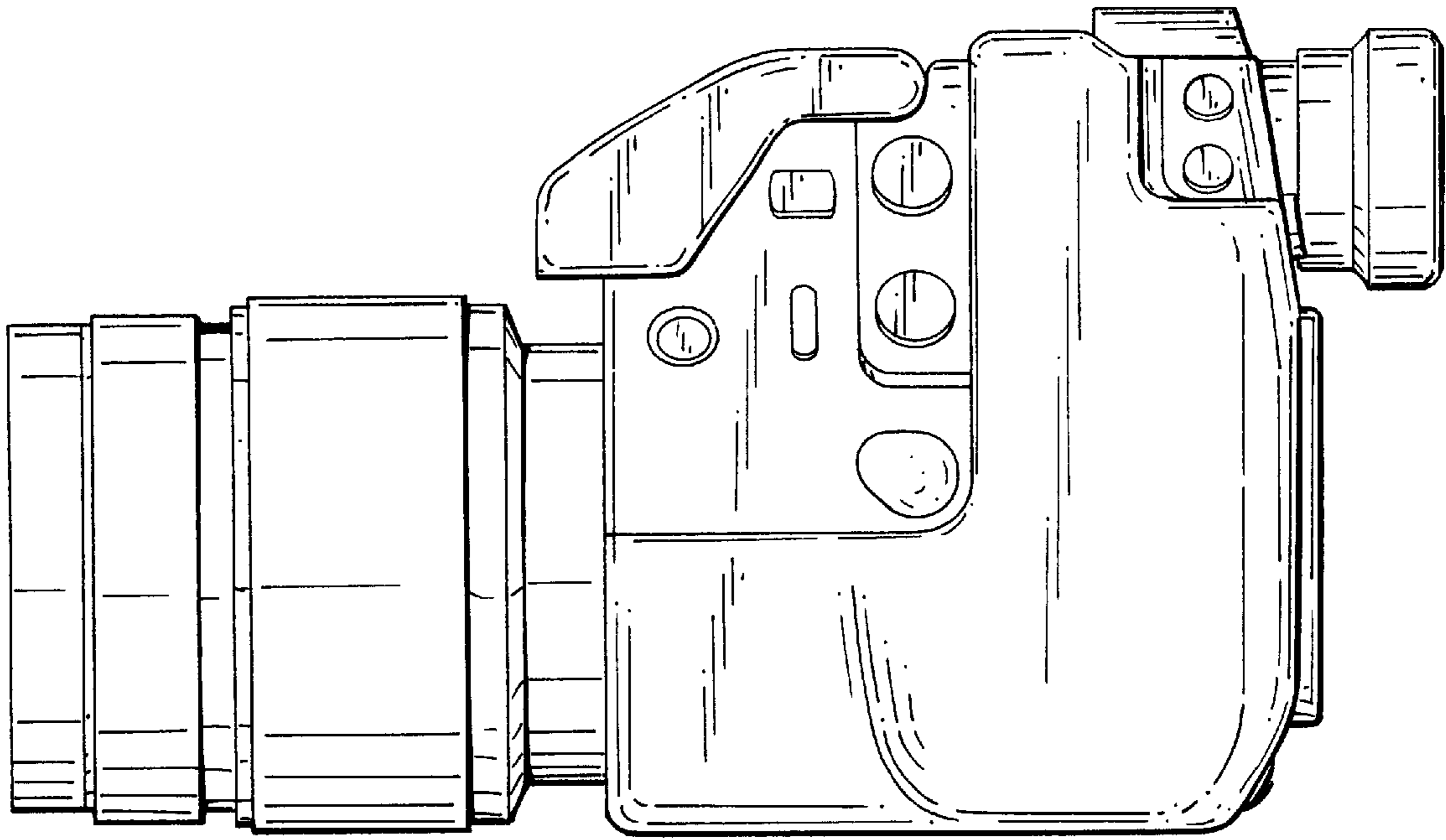


FIG. 4

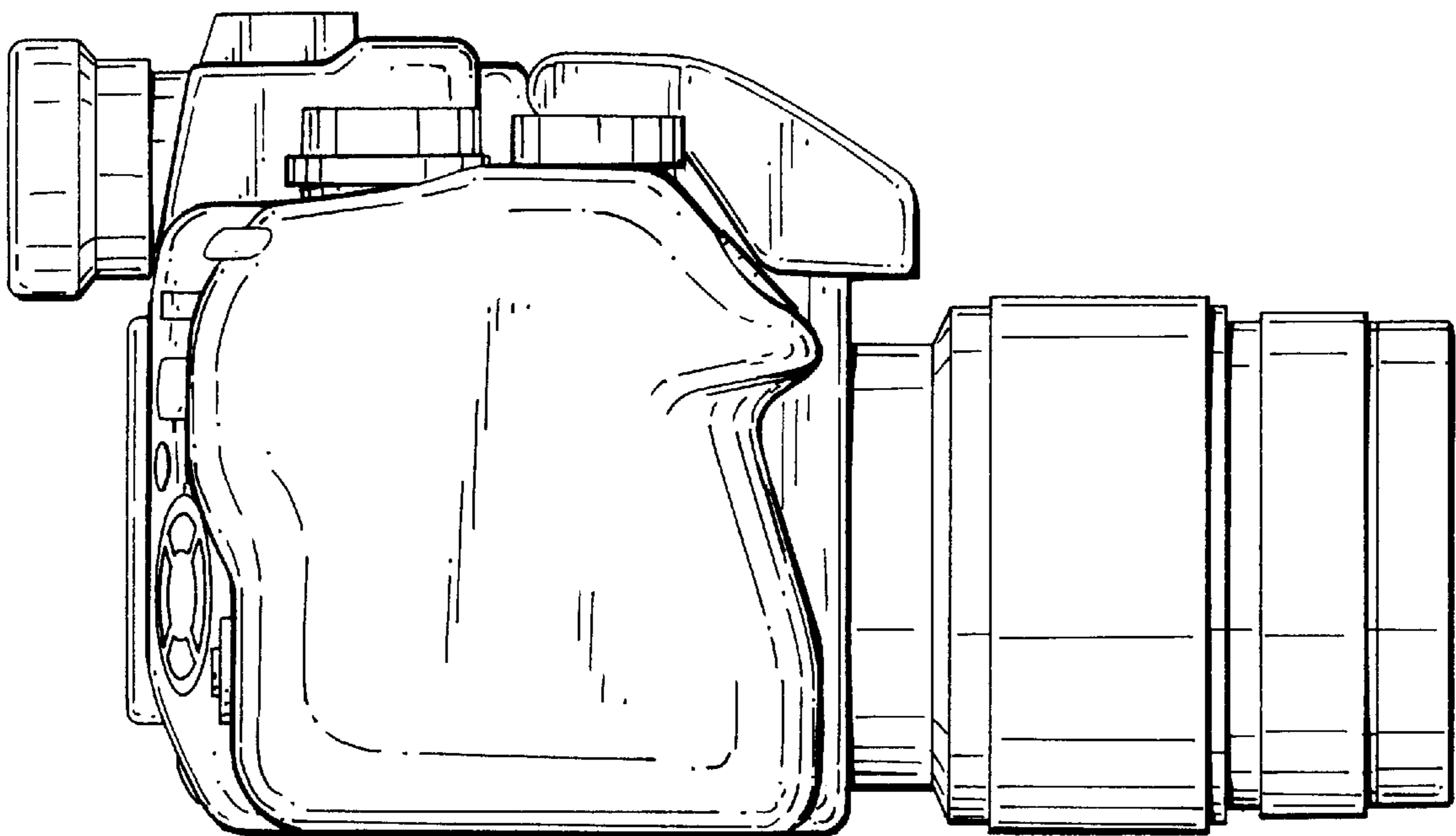


FIG. 5

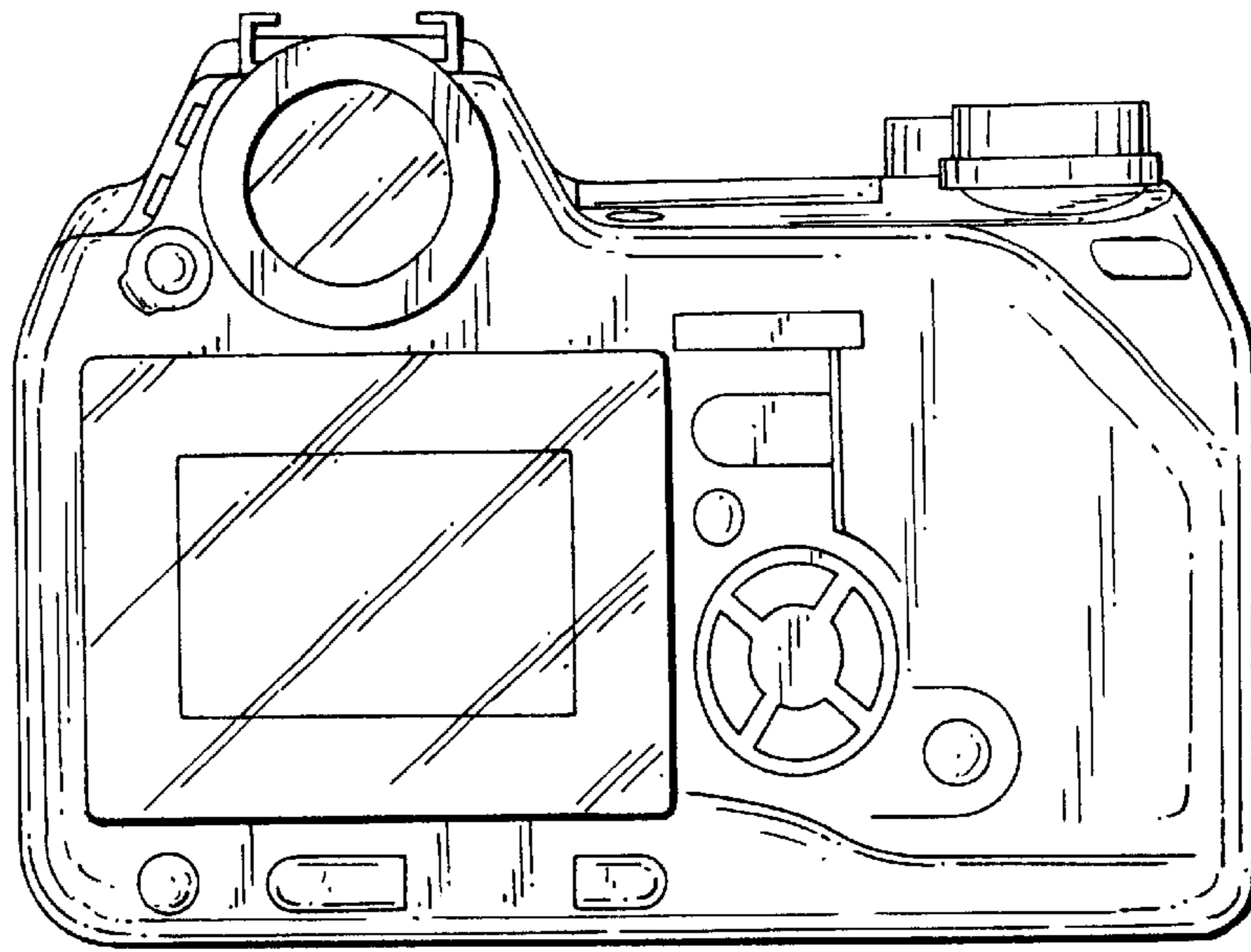


FIG. 6

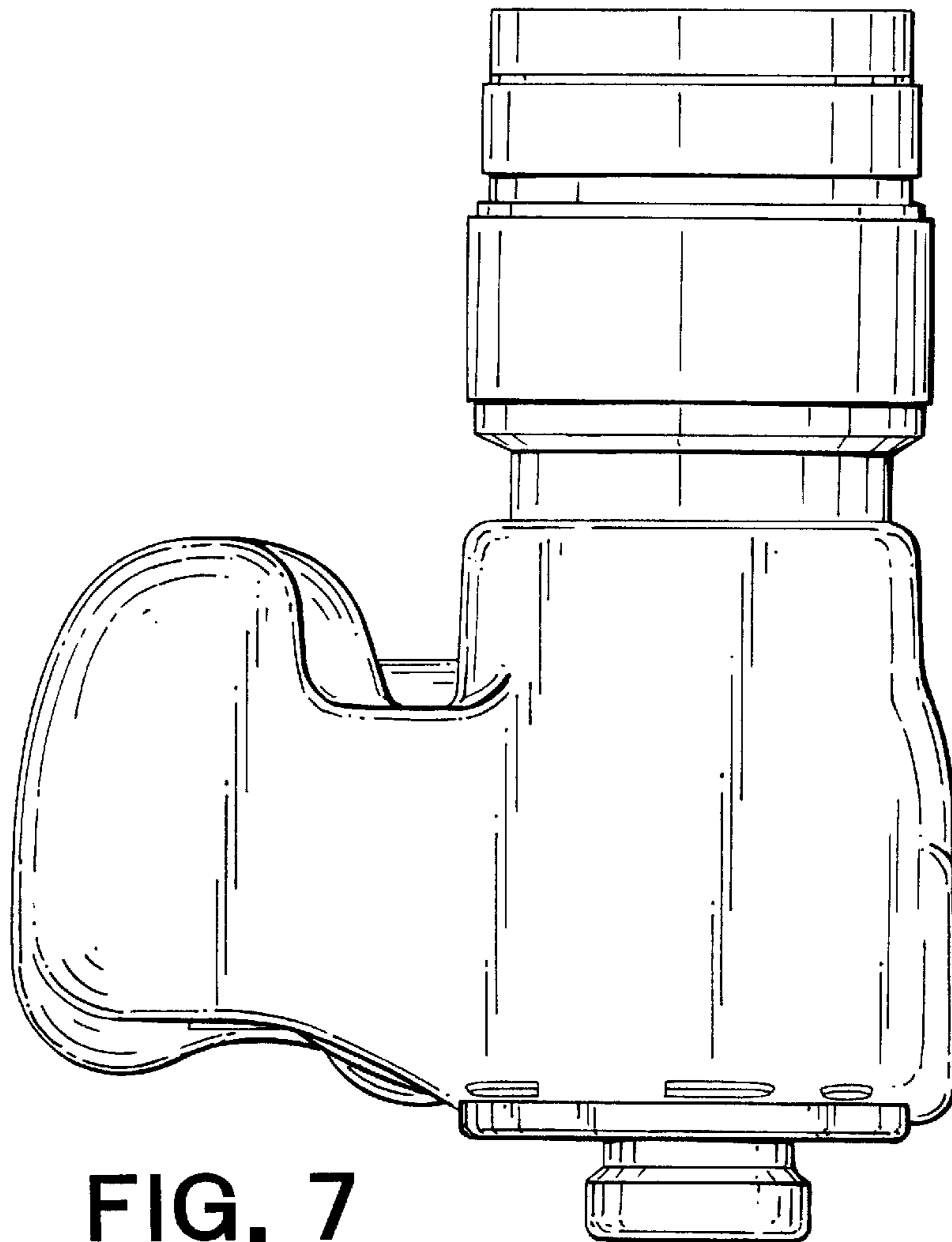


FIG. 7

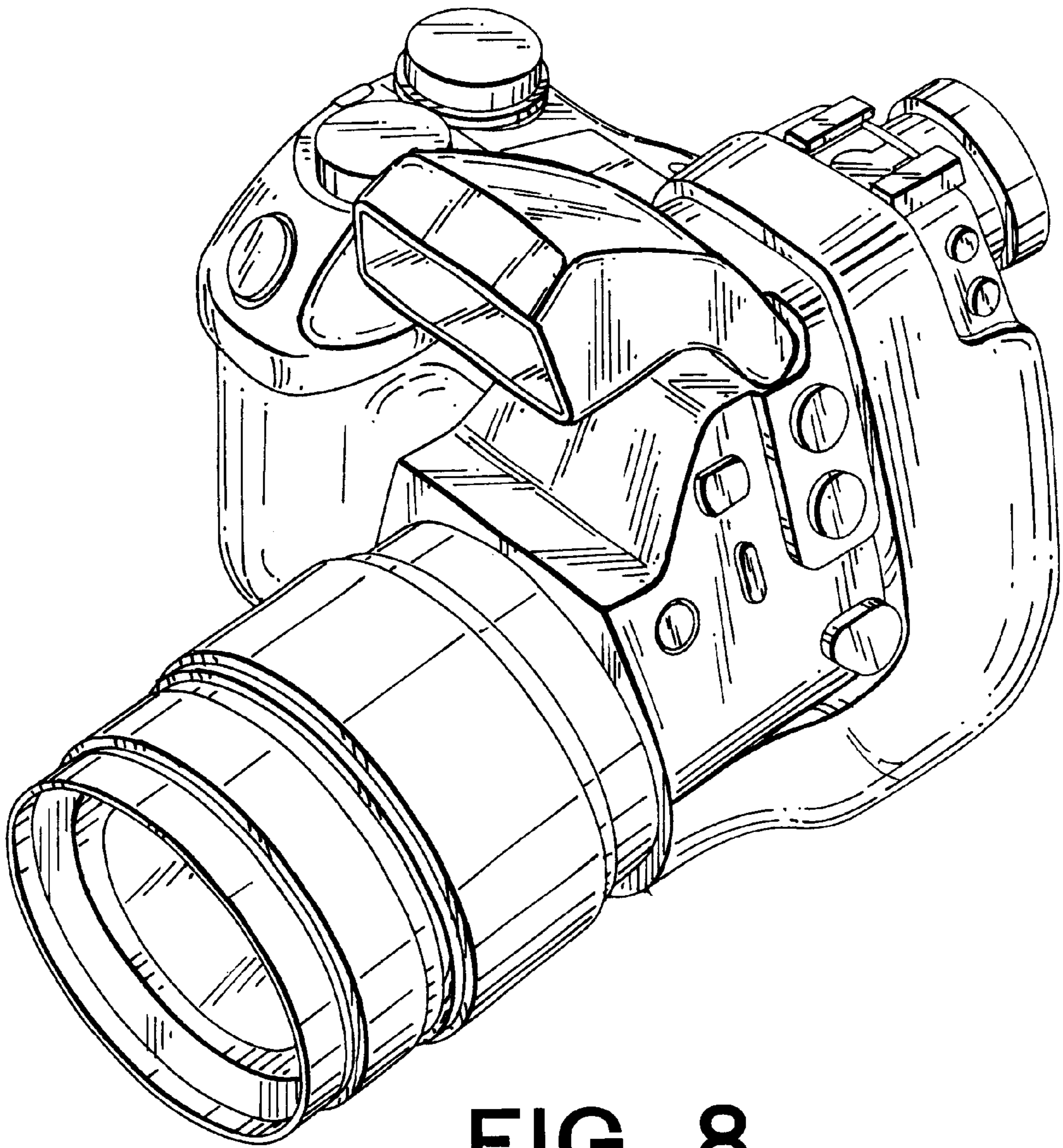


FIG. 8