



US00D441772S

(12) **United States Design Patent**  
**Polzer**

(10) **Patent No.:** **US D441,772 S**

(45) **Date of Patent:** **\*\* May 8, 2001**

(54) **SHEET METAL BOBBIN**

5,465,917 \* 11/1995 Kosch ..... 242/128

(75) Inventor: **Manfred Polzer**, Perl (DE)

\* cited by examiner

(73) Assignee: **TrefilARBED Bettembourg S.A.**,  
Grand Duchy (LU)

*Primary Examiner*—Antoine Duval Davis

(74) *Attorney, Agent, or Firm*—Charles N. Quinn

(\*\*) Term: **14 Years**

(57) **CLAIM**

The ornamental design for a sheet metal bobbin, as shown and described.

(21) Appl. No.: **29/108,438**

(22) Filed: **Jul. 27, 1999**

**DESCRIPTION**

(51) **LOC (7) Cl.** ..... **15-09**

FIG. 1 is an isometric view of a sheet metal bobbin embodying the design of this invention.

(52) **U.S. Cl.** ..... **D15/138; D15/78**

FIG. 2 is a front view of the sheet metal bobbin illustrated in FIG. 1.

(58) **Field of Search** ..... D15/72, 78, 133,  
D15/138; 125/21, 16.01, 16.02; 451/12,  
20, 28; 242/128, 156, 286; 428/592

FIG. 3 is a right side elevation of the sheet metal bobbin illustrated in FIGS. 1 and 2; and,

FIG. 4 is a left side elevation of the sheet metal bobbin illustrated in FIGS. 1, 2 and 3.

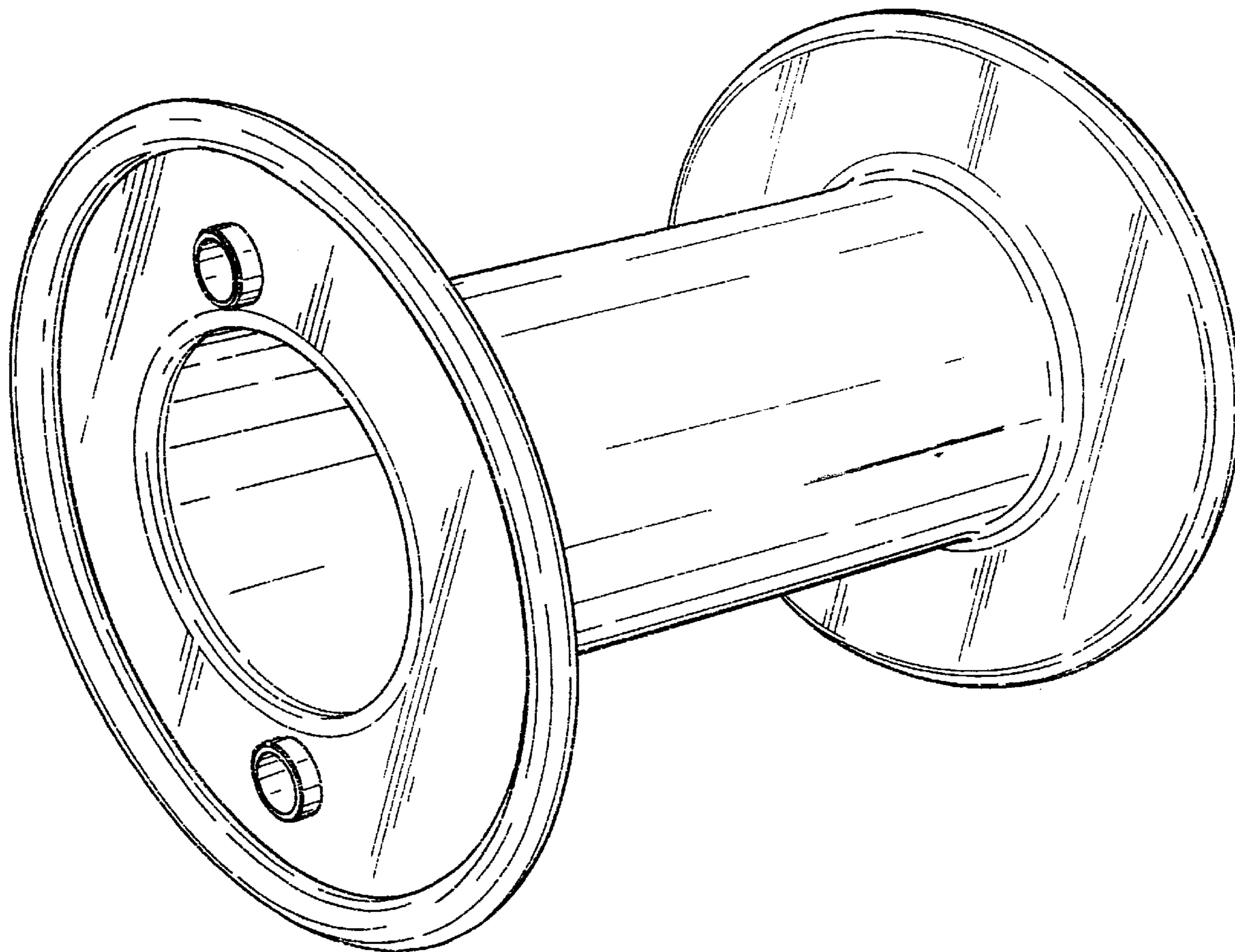
The appearance of the sheet metal bobbin from the bottom, top and rear is identical to that illustrated in FIG. 2.

(56) **References Cited**

**U.S. PATENT DOCUMENTS**

- D. 272,485 \* 2/1984 Philips ..... D15/78
- D. 399,857 \* 10/1998 Kanemichi ..... D15/138

**1 Claim, 2 Drawing Sheets**



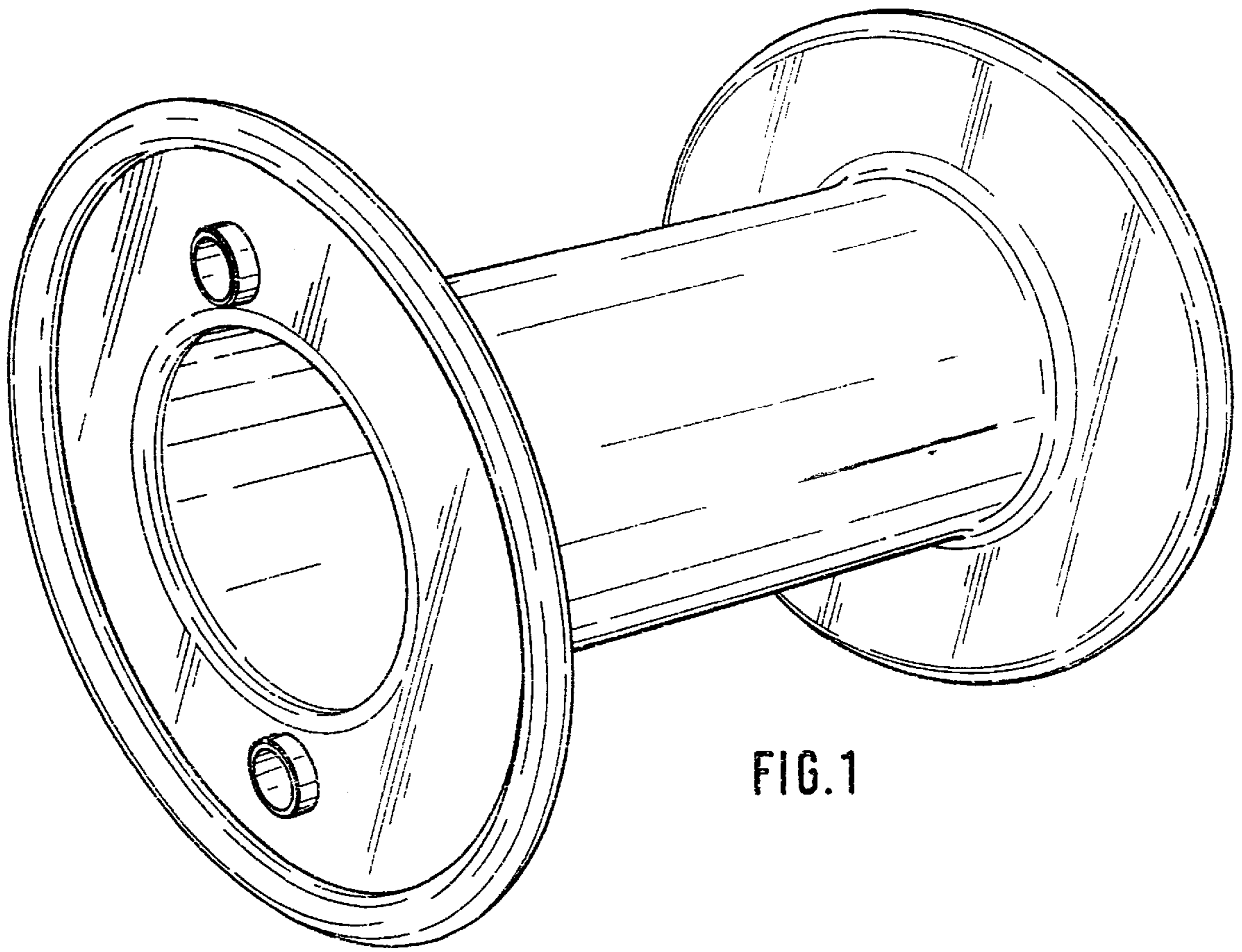


FIG. 1

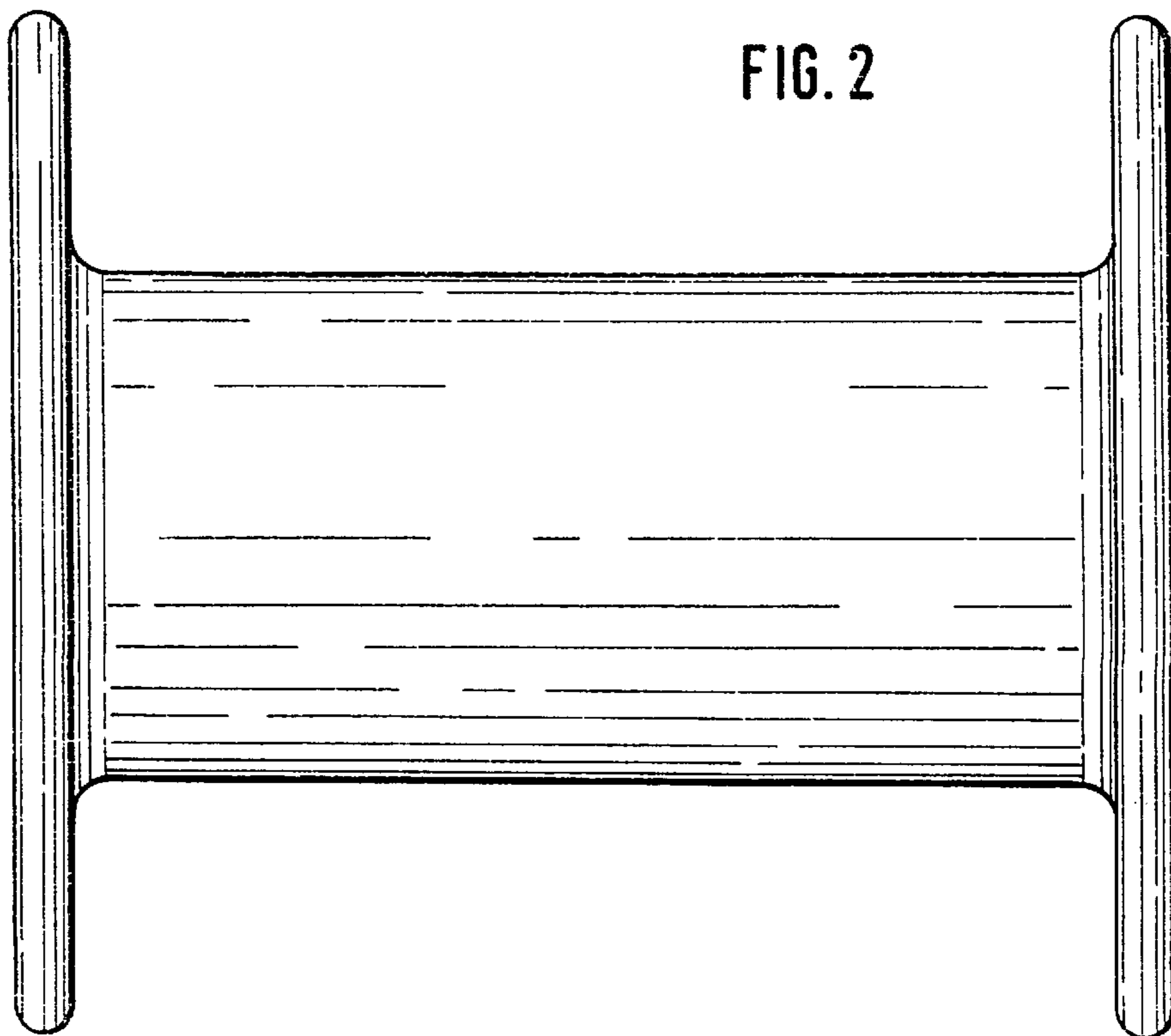


FIG. 2

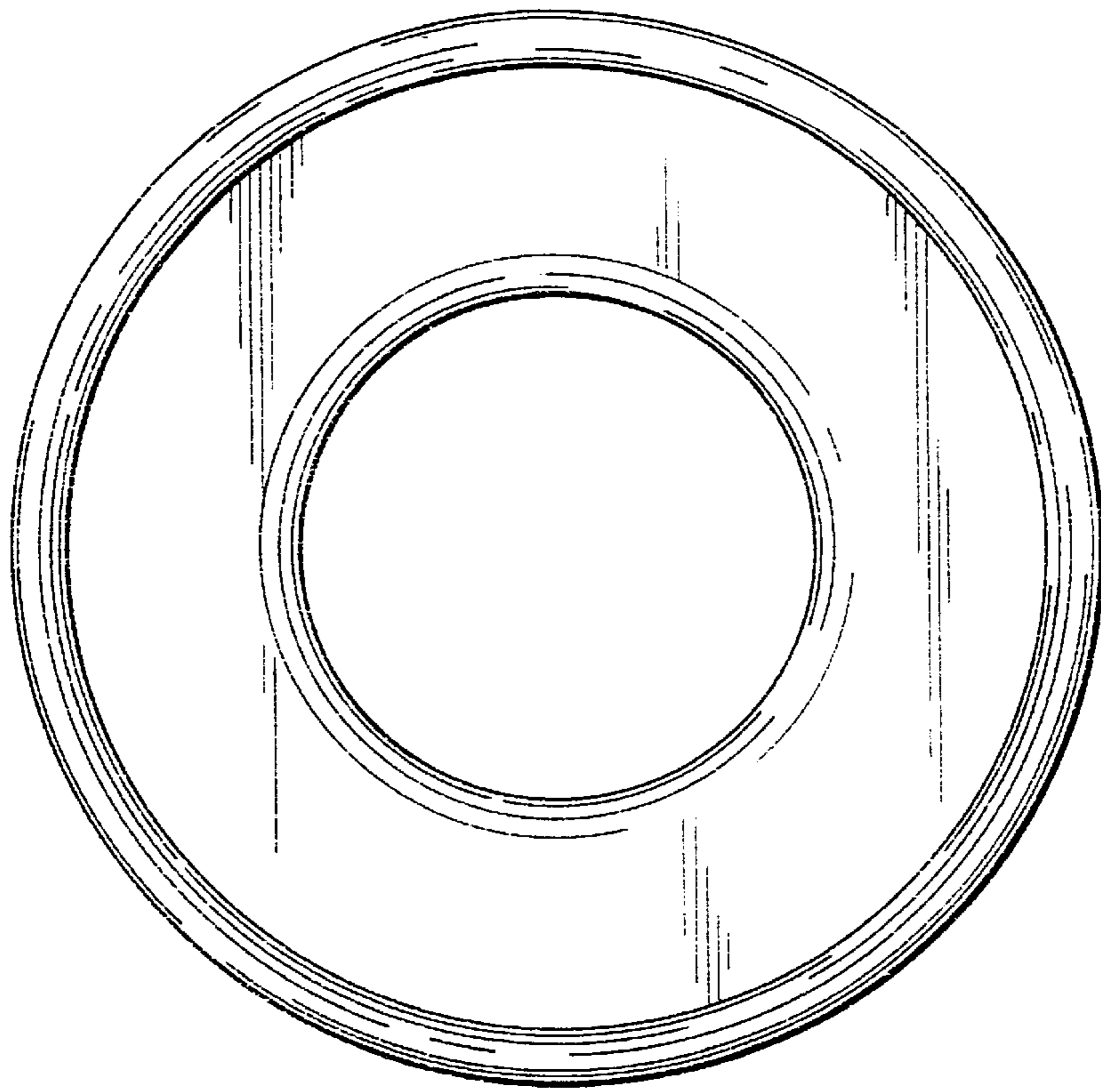


FIG. 3

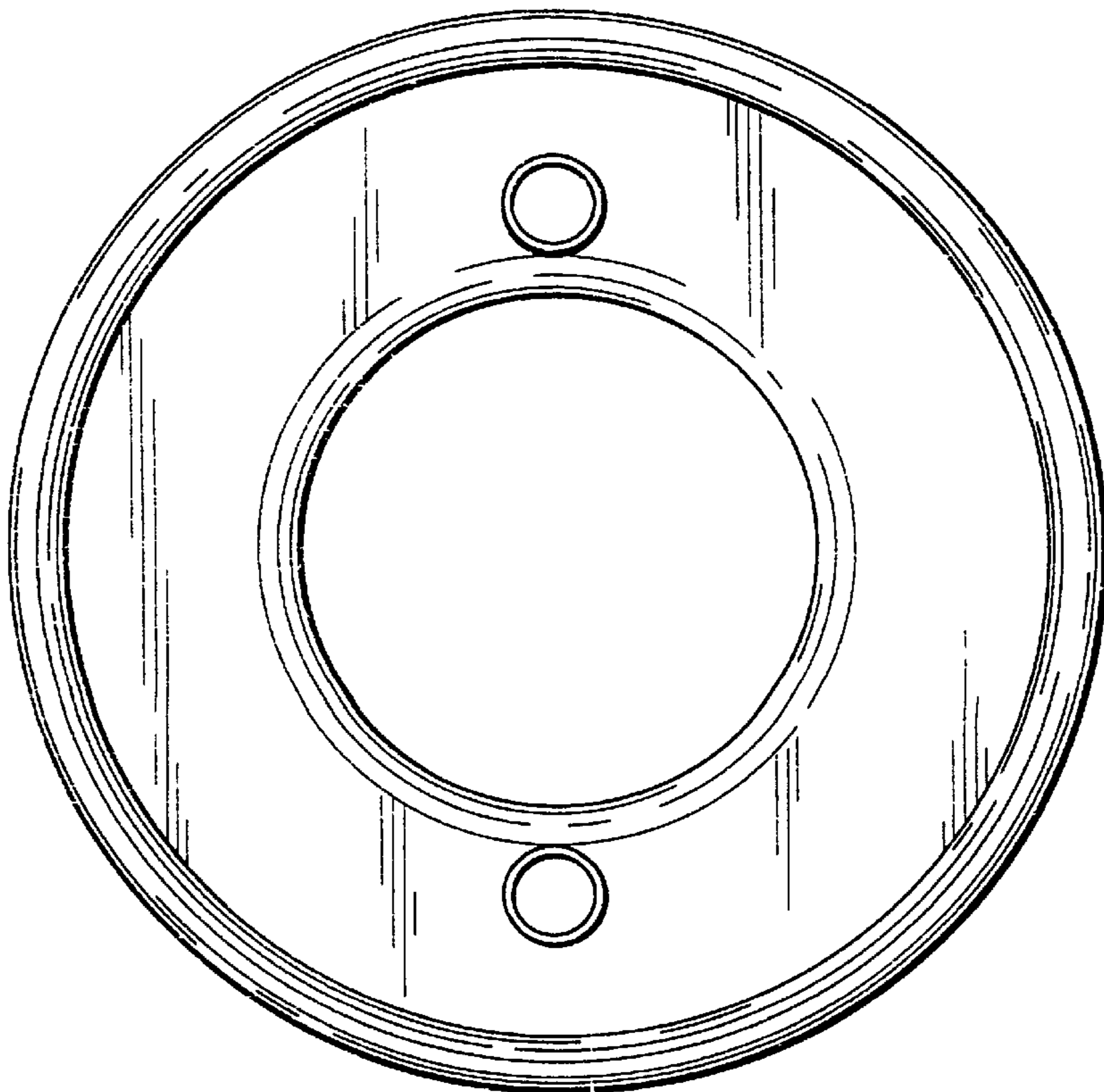


FIG. 4