



US00D441771S

(12) **United States Design Patent**
Bean et al.

(10) **Patent No.:** **US D441,771 S**

(45) **Date of Patent:** **** May 8, 2001**

(54) **MITER SAW**

(75) Inventors: **Frederick R. Bean**, Finksburg; **Peter Chaikowsky**, Belair; **Steven K. McKeithen**, Odenton; **Darren B. Moss**, Cockeysville, all of MD (US); **James D. Schroeder**, Stewartstown, PA (US); **Robert P. Welsh**, Hunt Valley; **Stuart J. Wright**, Timonium, both of MD (US)

(73) Assignee: **Black & Decker Inc.**, Newark, DE (US)

(**) Term: **14 Years**

(21) Appl. No.: **29/124,607**

(22) Filed: **Jun. 8, 2000**

(51) **LOC (7) Cl.** **15-09**

(52) **U.S. Cl.** **D15/133**

(58) **Field of Search** D15/133; 83/471.1-471.3, 83/477, 581

(56) **References Cited**

U.S. PATENT DOCUMENTS

- D. 346,173 * 4/1994 Price D15/133
- D. 366,491 * 1/1996 Chang D15/133

- D. 388,442 * 12/1997 Shibata et al. D15/133
- D. 425,083 * 5/2000 Brickner, Jr. et al. D15/133
- D. 428,426 * 7/2000 Brazell D15/133

* cited by examiner

Primary Examiner—Antoine Duval Davis
(74) *Attorney, Agent, or Firm*—Adan Ayala

(57) **CLAIM**

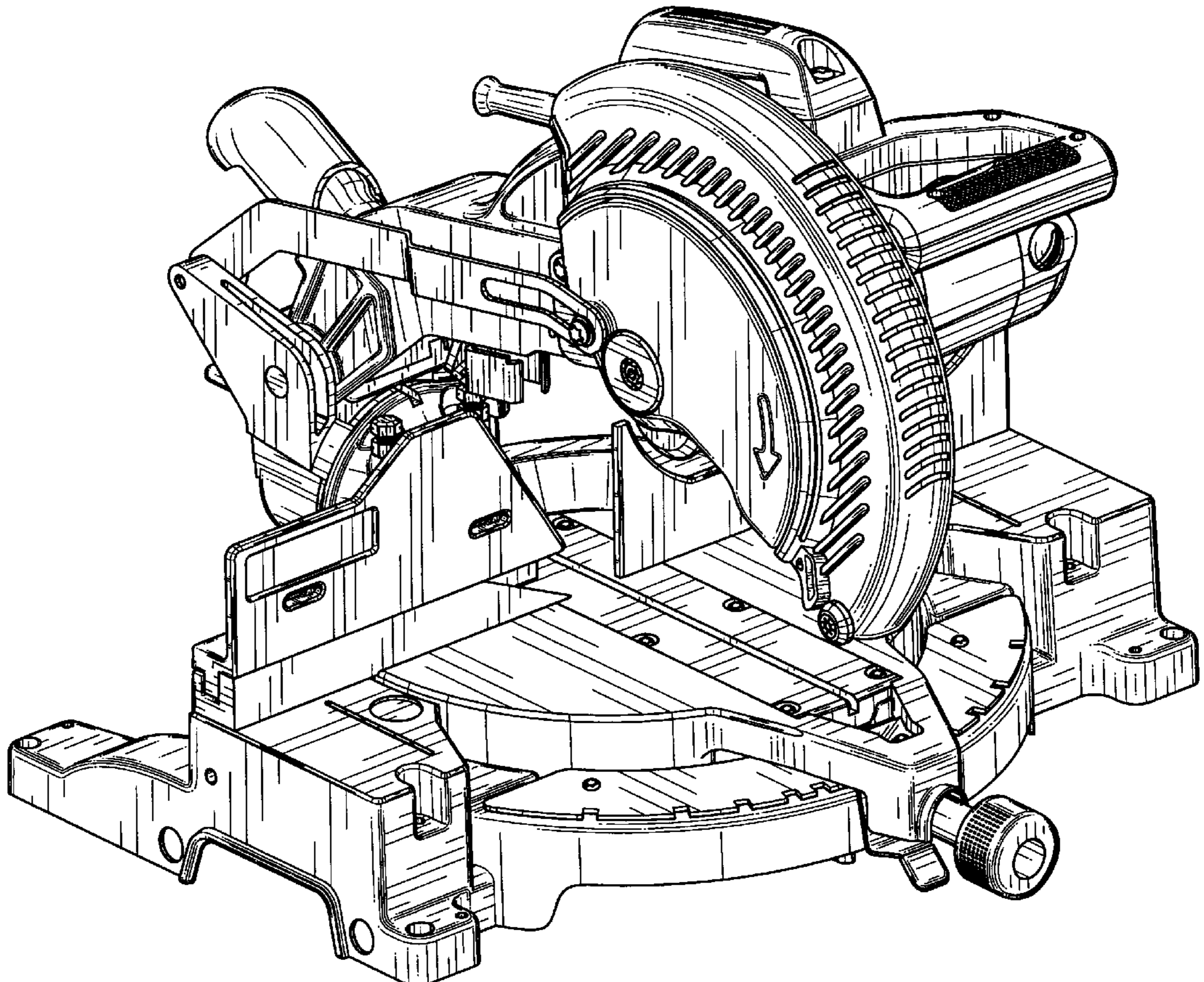
The ornamental design for a miter saw, as shown and described.

DESCRIPTION

FIG. 1 is a perspective view of a first embodiment of a miter saw.
 FIG. 2 is a front elevational view of the first embodiment.
 FIG. 3 is a rear elevational view of the first embodiment.
 FIG. 4 is a left side elevational view of the first embodiment.
 FIG. 5 is a right side elevational view of the first embodiment.
 FIG. 6 is a top plan view of the first embodiment; and,
 FIG. 7 is a perspective view of a second embodiment of a miter saw.

In the above drawings, any wording or numerals shown therein does not form a part of the invention.

1 Claim, 7 Drawing Sheets



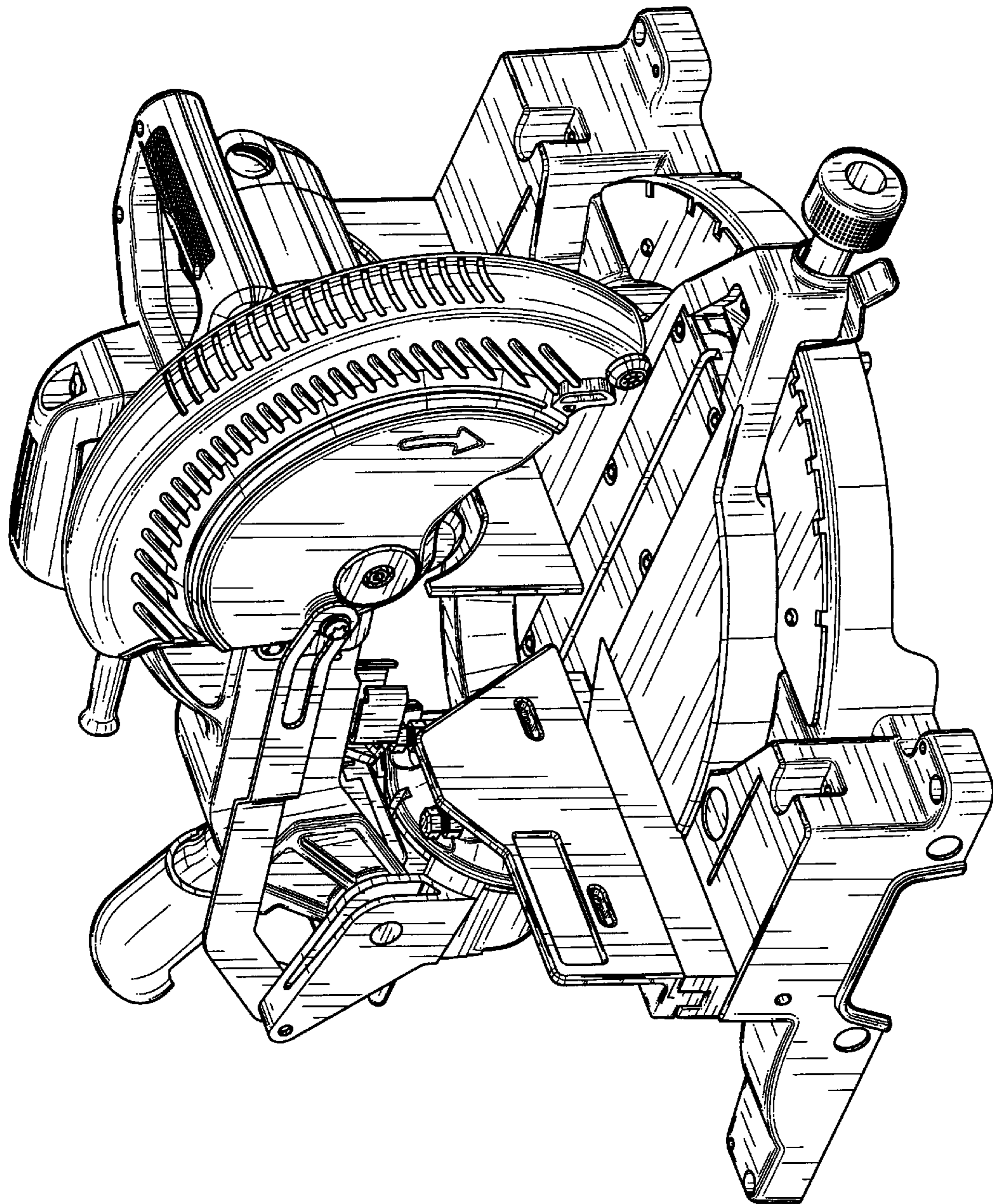


FIG. 1

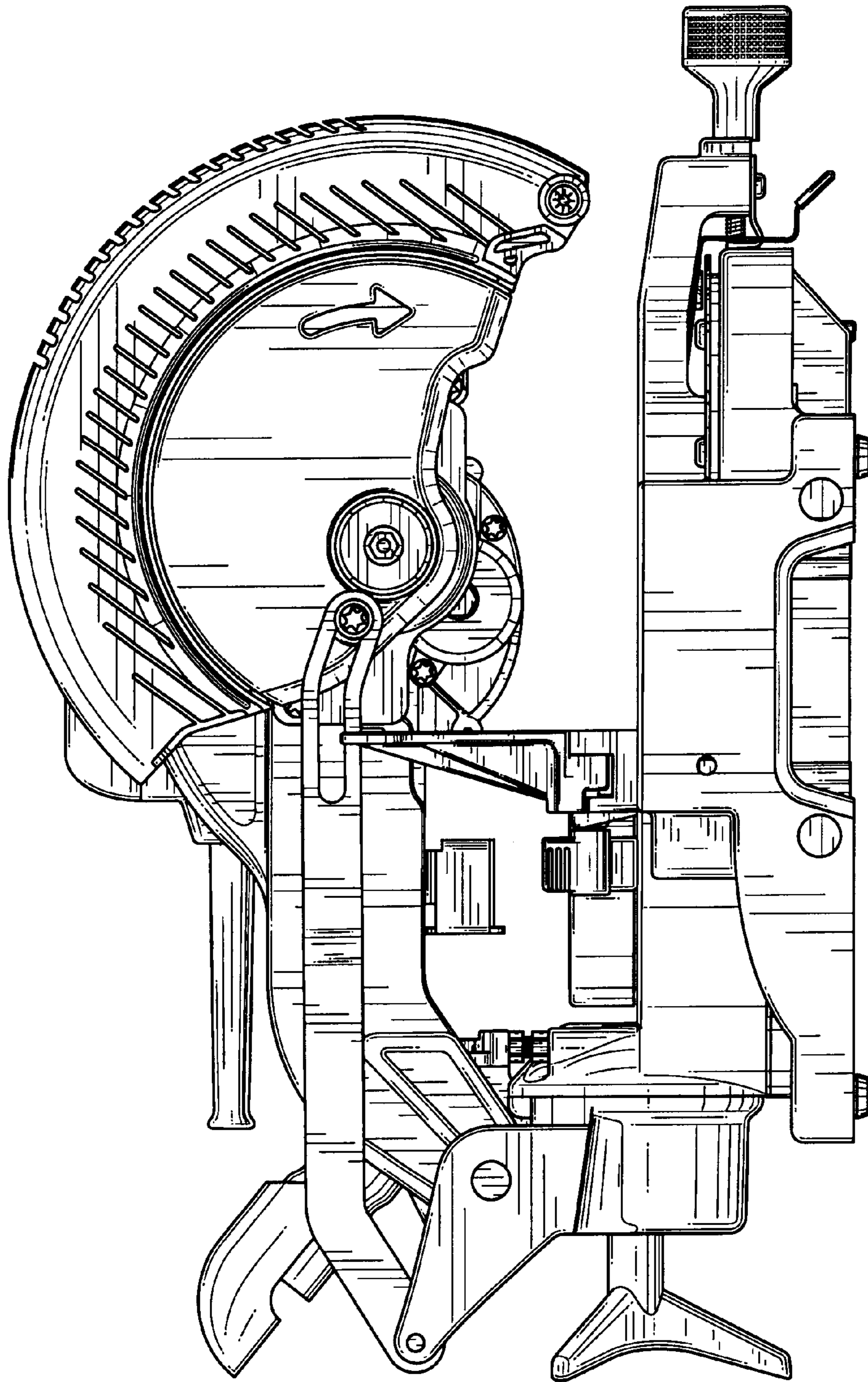


FIG. 2

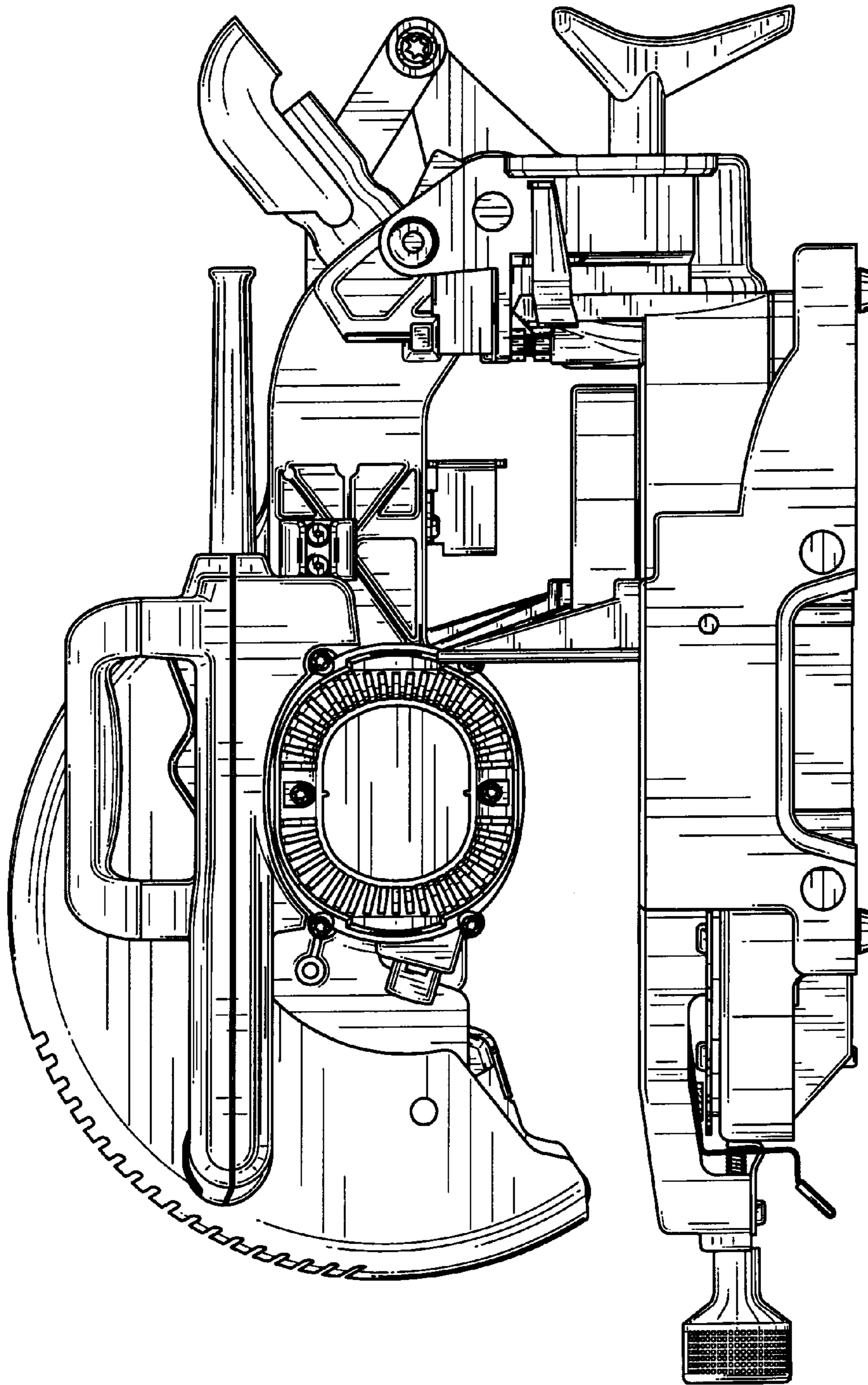


FIG. 3

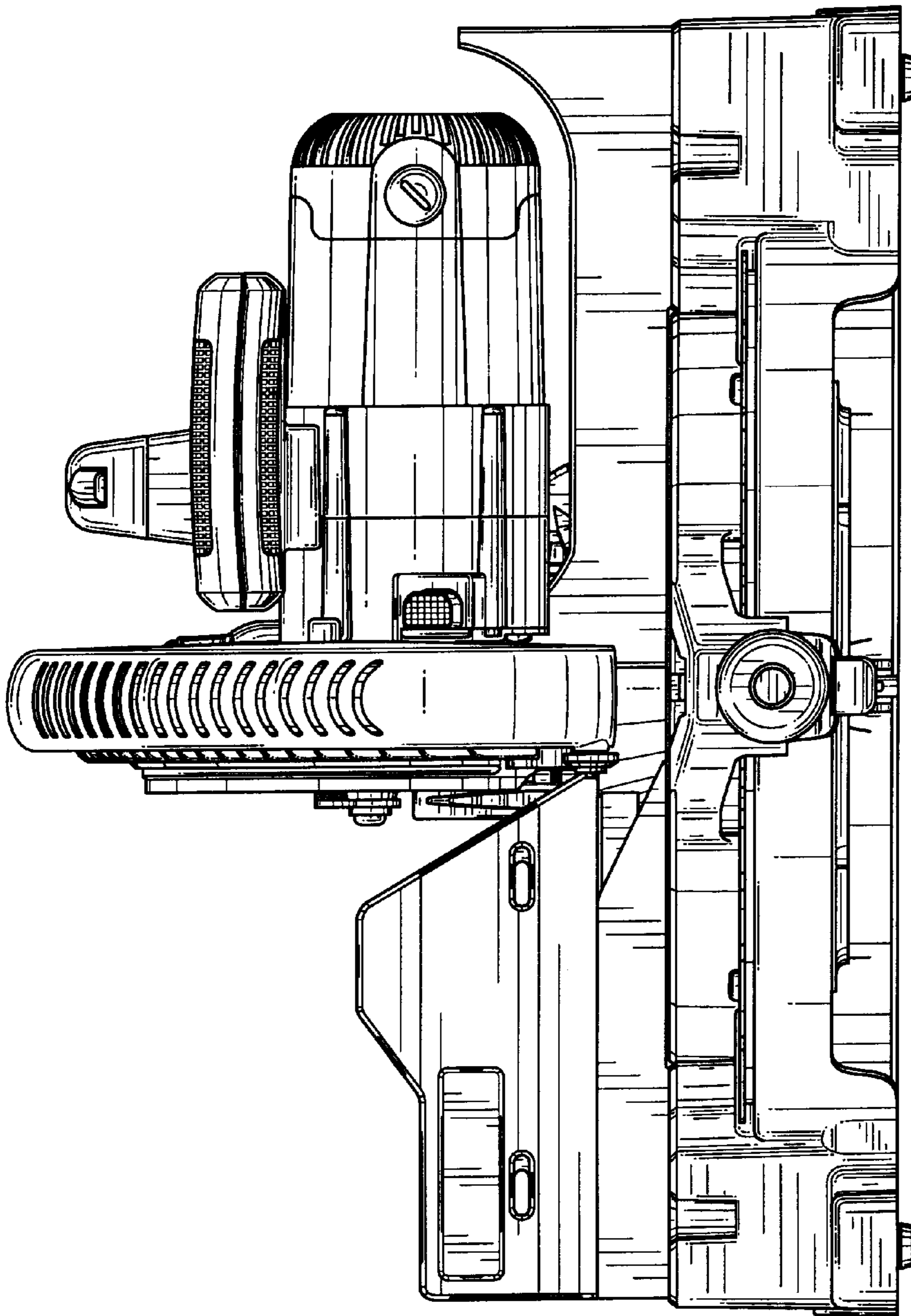


FIG. 4

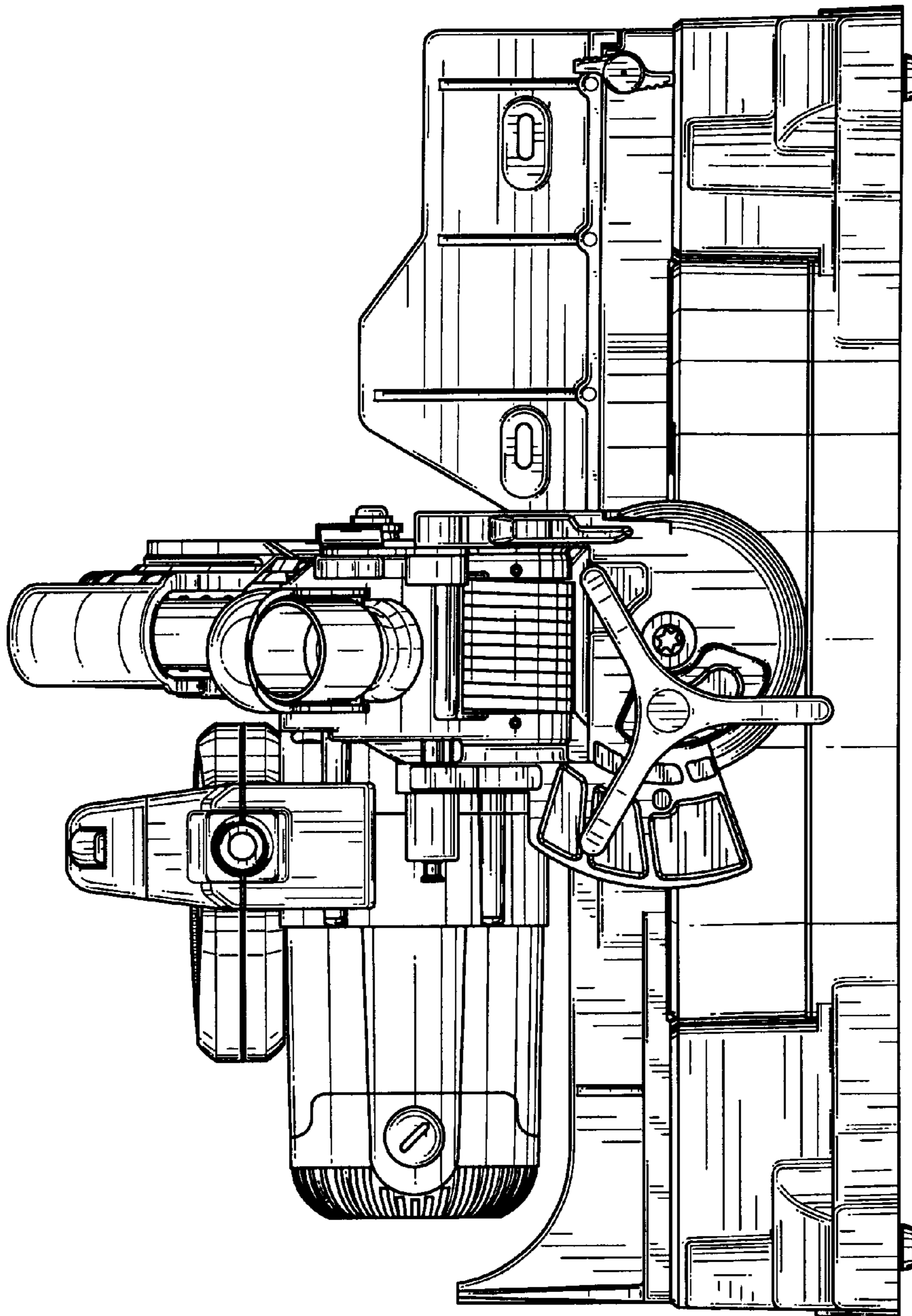


FIG. 5

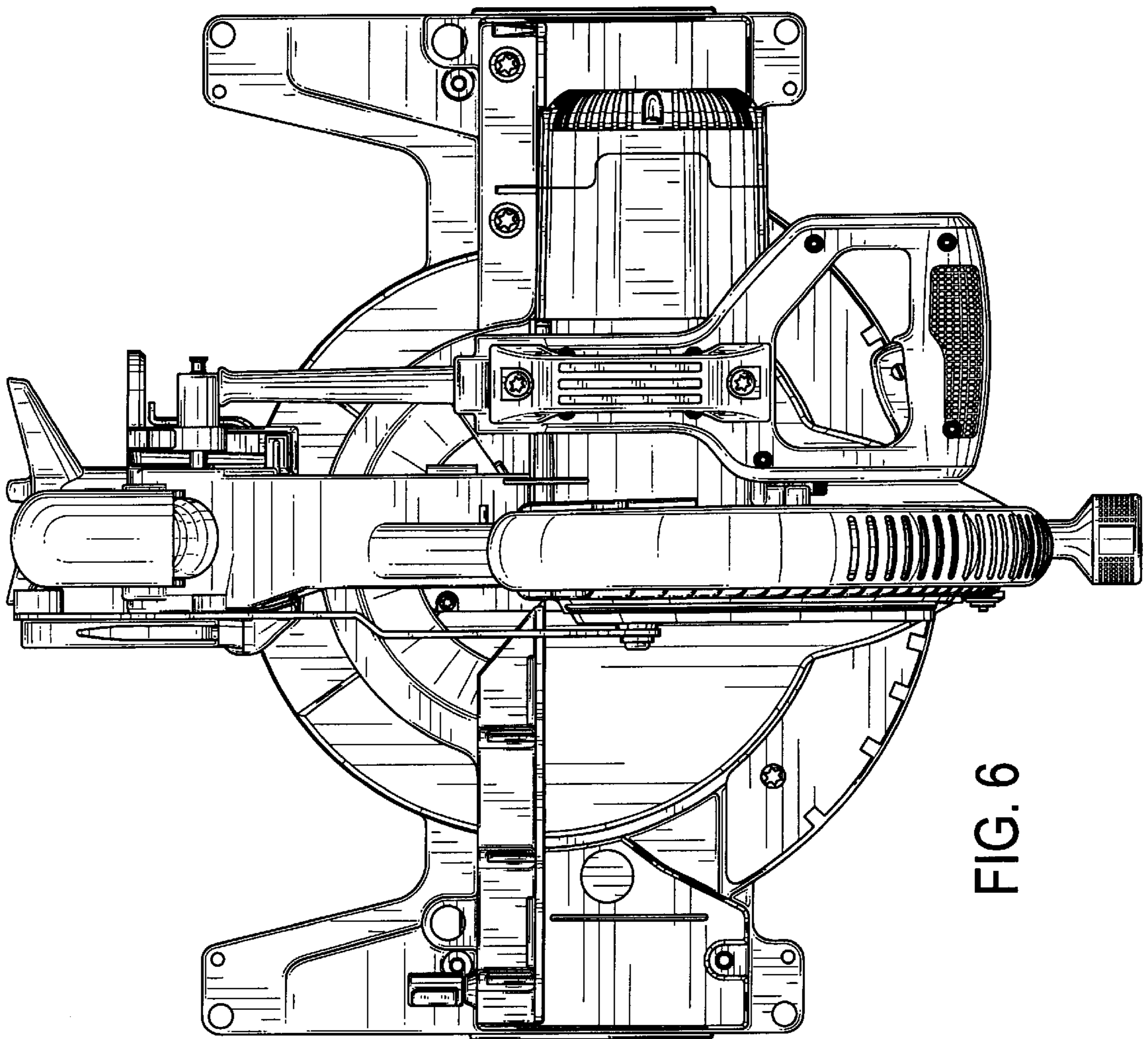


FIG. 6

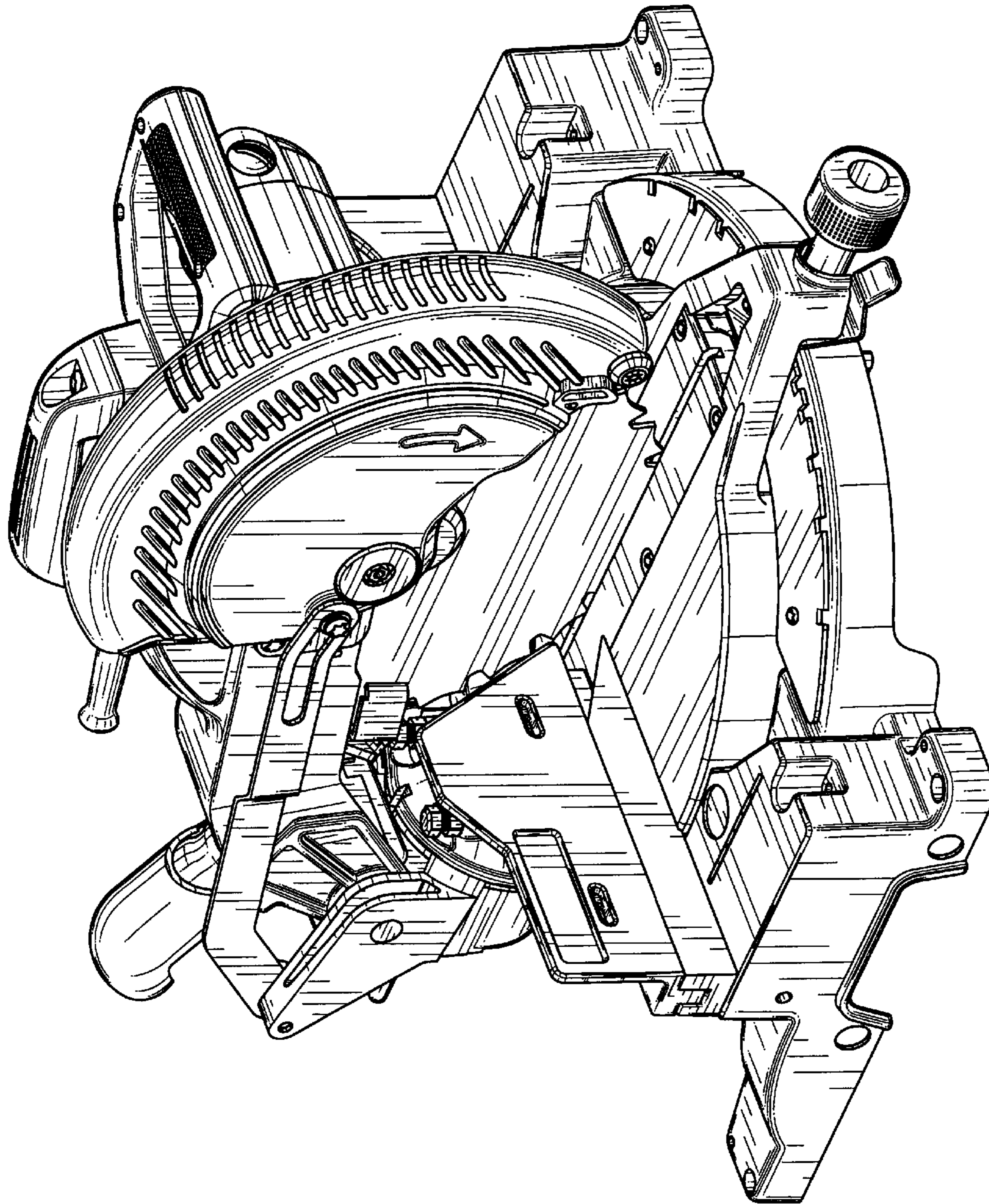


FIG. 7