



US00D441769S

(12) **United States Design Patent**  
**SurrIDGE**

(10) **Patent No.:** **US D441,769 S**

(45) **Date of Patent:** **\*\* May 8, 2001**

(54) **CONSOLE COVER**

(75) **Inventor:** **David Gayland SurrIDGE**, Garner, NC (US)

(73) **Assignee:** **Deere & Company**, Moline, IL (US)

(\*\*) **Term:** **14 Years**

(21) **Appl. No.:** **29/105,331**

(22) **Filed:** **May 21, 1999**

(51) **LOC (7) Cl.** ..... **14-08**

(52) **U.S. Cl.** ..... **D15/17; D12/415**

(58) **Field of Search** ..... D12/400, 415-419, D12/423, 425; 224/536-539, 926; 296/37.1, 37.6; D7/553.3-553.5, 619-621, 624; D6/531, 535; 248/311.2; 297/188.14-188.16, 188.19; D15/14-17, 28

(56) **References Cited**

**U.S. PATENT DOCUMENTS**

D. 250,064	*	10/1978	Monopoli	.....	D12/419
D. 294,136	*	2/1988	Eide	.....	D12/419
D. 307,355	*	4/1990	Page, Jr.	.....	D12/419
D. 328,973	*	9/1992	Mankey	.....	D12/419
D. 375,480	*	11/1996	Smith	.....	D12/419
D. 388,050	*	12/1997	Diem	.....	D12/419
D. 396,844	*	8/1998	Smith	.....	D12/419
D. 413,563	*	9/1999	Grevenstreter	.....	D12/419
D. 424,511	*	5/2000	SurrIDGE	.....	D12/419
D. 428,383	*	7/2000	Ozark et al.	.....	D12/419
D. 432,549	*	10/2000	SurIDGE et al.	.....	D15/17

**OTHER PUBLICATIONS**

Toro, Reelmaster 4500-D 2 or 4 Wheel Drive, pp. 1-6, date of publication—1993, published in U.S.A.  
Toro, Reelmaster 5100-D, pp. 1-8, date of publication—1992, published in U.S.A.  
Toro, Reelmaster 335-D, pp. 1-4, date of publication—1990, published in U.S.A.  
Toro, Reelmaster 450-D, pp. 1-6, date of publication—1988, published in U.S.A.  
Ransomes Inc., Motor 213D, pp. 1-6, date of publication—1991, published in U.K.

Ransomes Inc., T-17D Riding Mower, pp. 1-6, date of publication—1988, published in U.S.A.  
Ransomes Inc., Fairway 5000 Mower, pp. 1-6, date of publication—1989, published in U.S.A.  
Ransomes Inc., Ransomes Bob-Cat Tractors, pp. 1-10, date of publication—1987, published in U.S.A.  
Jacobsen Textron, LF-128 & LF-135 Turbo, pp. 1-6, date of publication 1997, published in U.S.A.  
Deere & Company, Introducing The First Fairway Mowing System Designed Specifically For You, pp. 1-10, date of publication Jul. 1993, published in U.S.A.  
Toro, Reelmaster 6000 Series Fairway Mowers, pp. 1-4, date of publication 1997, published in U.S.A.  
Jacobsen Textron, Greens King V, pp. 1-8, date of publication 1996, published in U.S.A.  
Jacobsen Textron, Greens King Electric, pp. 1-6, date of publication 1998, published in U.S.A.  
Kubota Tractor Corporation, Kubota Diesel Front Mower F2000, pp. 1-16, date of publication Dec. 1986, published in Japan.

\* cited by examiner

*Primary Examiner*—Stacia Cadmus

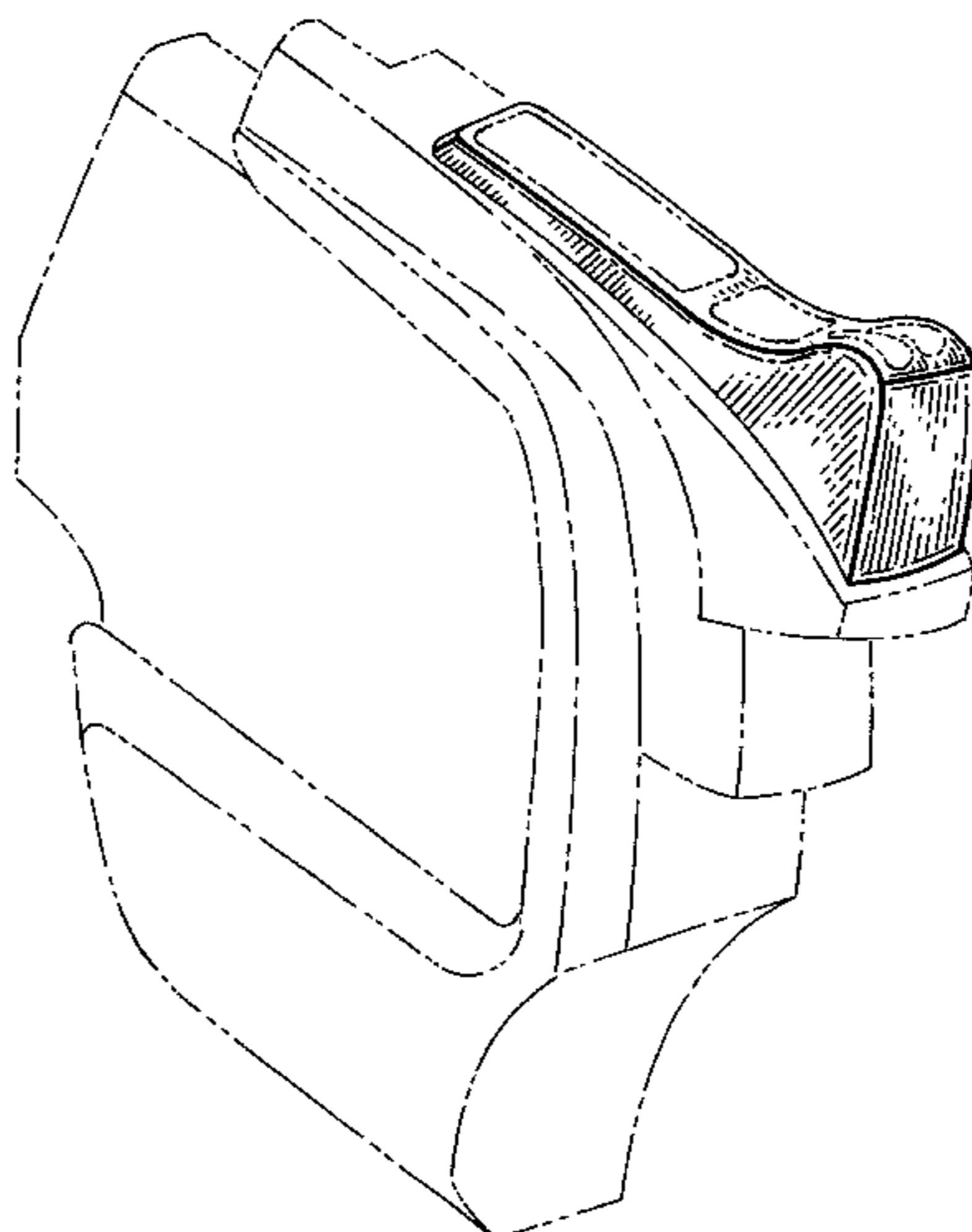
(57) **CLAIM**

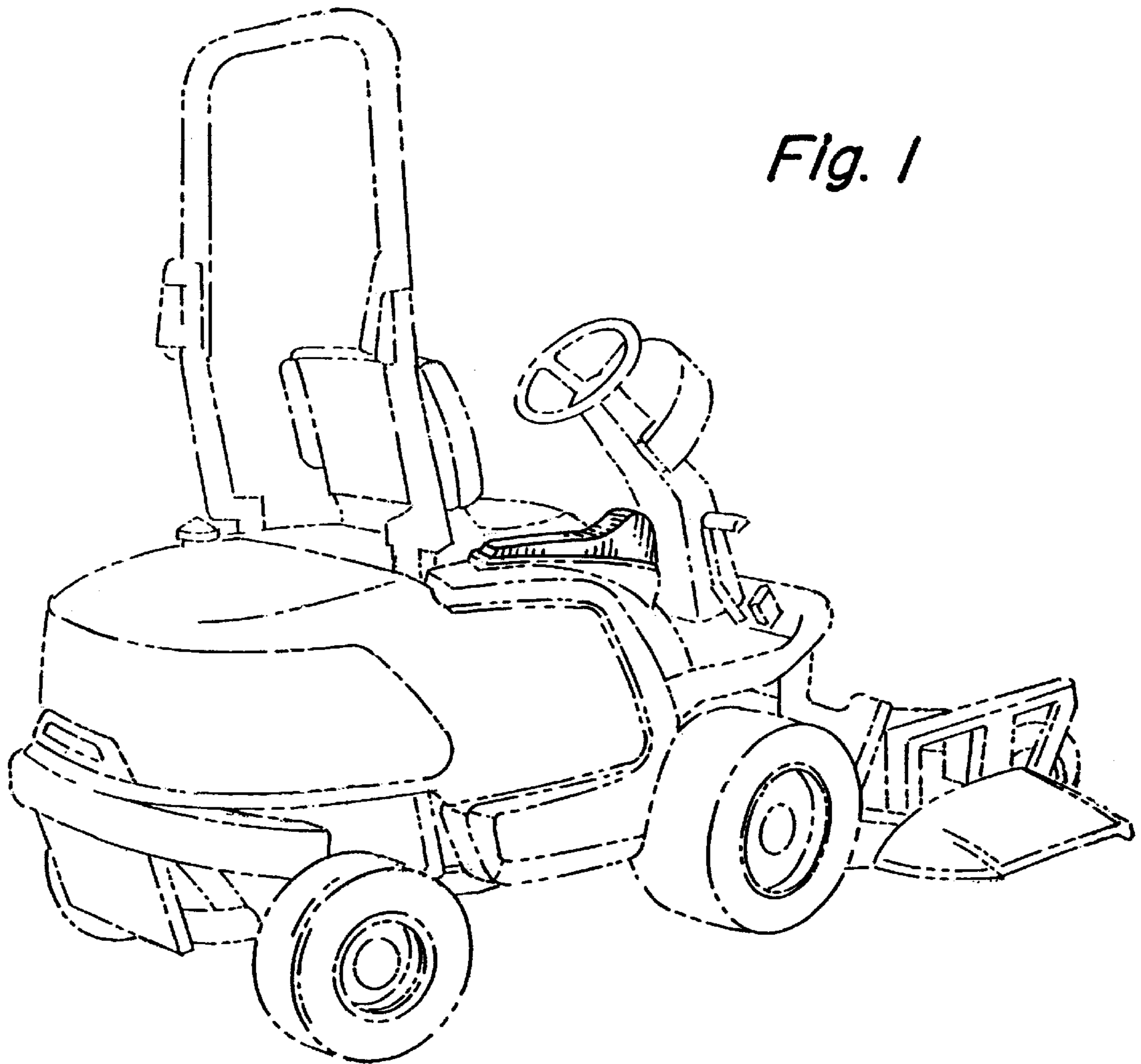
The ornamental design for a console cover, as shown and described.

**DESCRIPTION**

FIG. 1 is an elevated rear perspective view of a console cover showing our new design, the broken line showing of the vehicle being for illustrative purposes only, and forms no part of the claimed design.  
FIG. 2 is an enlarged and elevated right front perspective view of the console cover design of FIG. 1, the broken line showing of a portion of the vehicle being for illustrative purposes only, and forms no part of the claimed design.  
FIG. 3 is an enlarged plan view of the console cover design of FIG. 1.  
FIG. 4 is an enlarged right side view of the console cover design of FIG. 1; and,  
FIG. 5 is an enlarged rear view of the console cover design of FIG. 1.

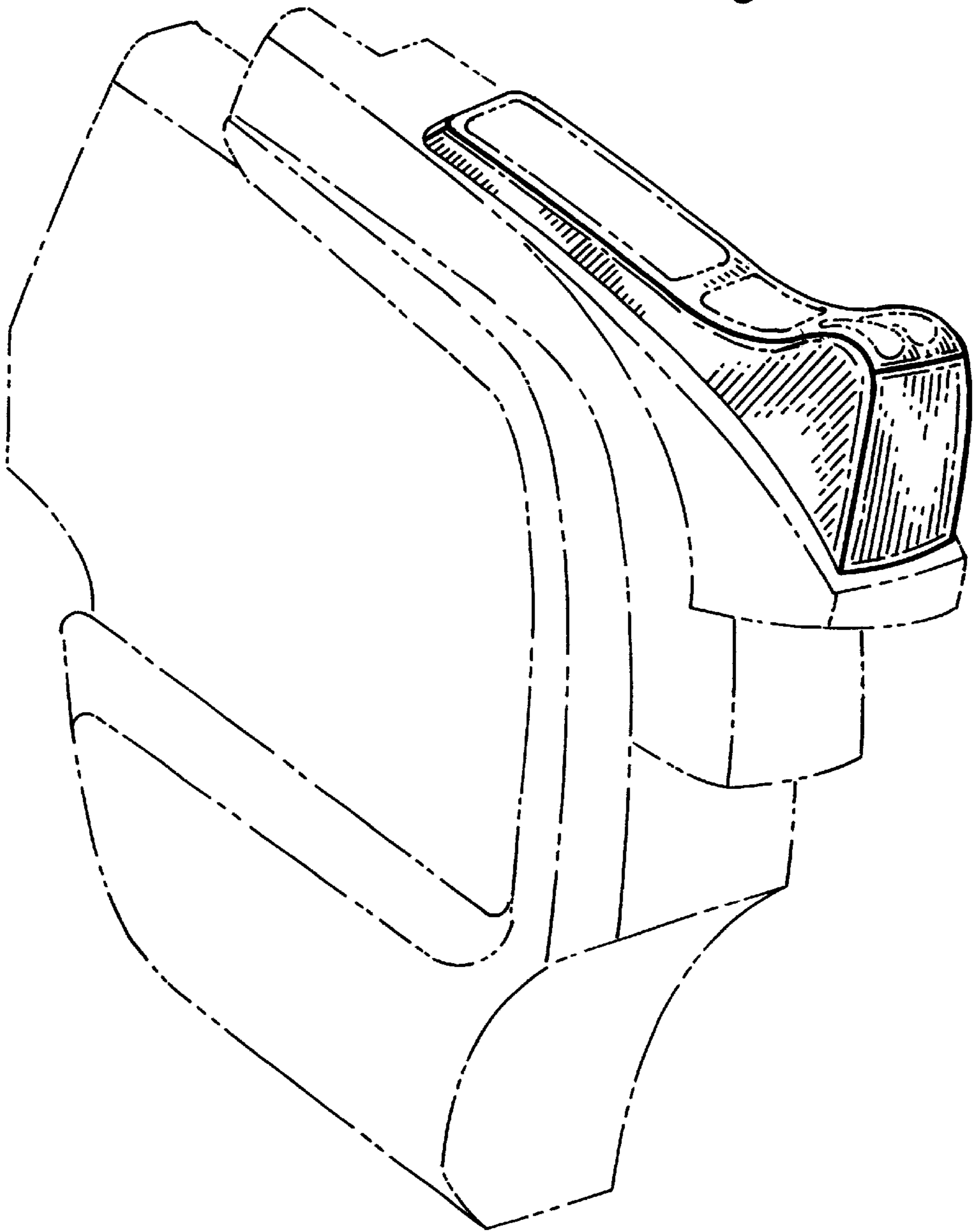
**1 Claim, 3 Drawing Sheets**



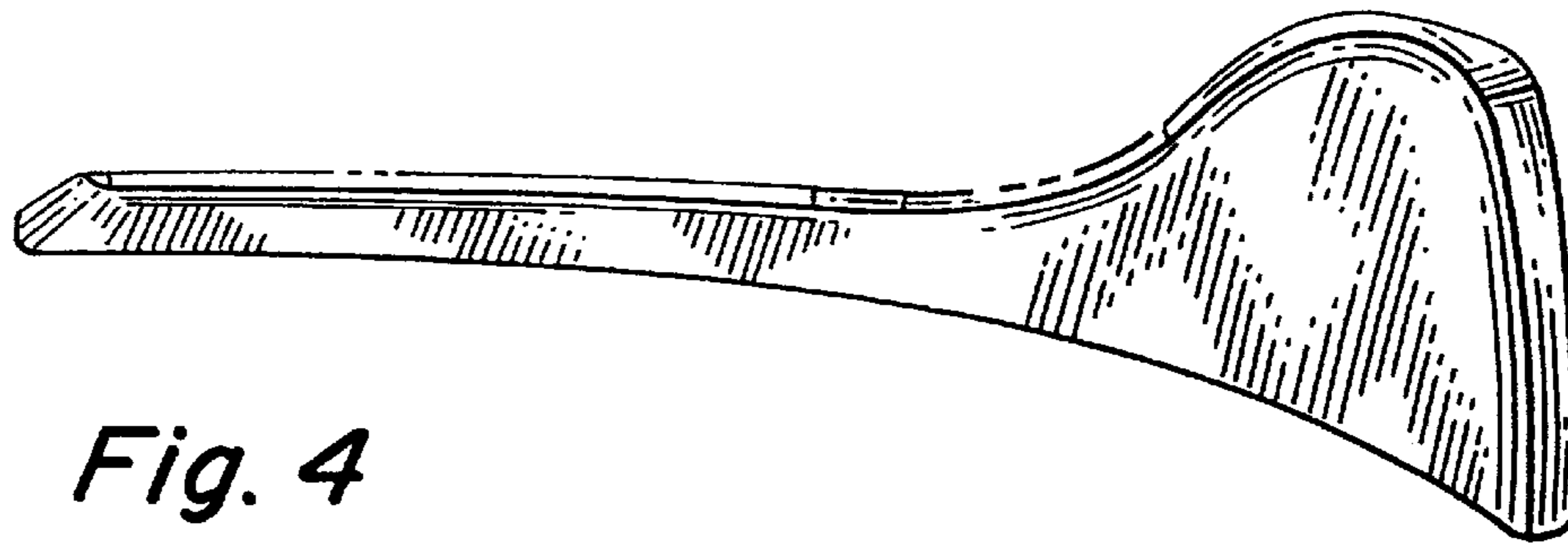
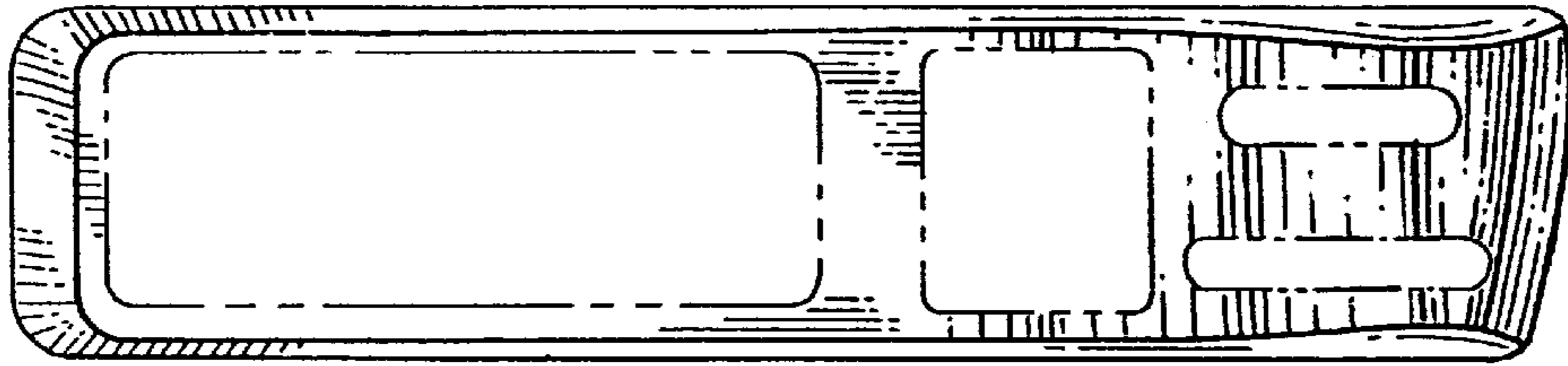


*Fig. 1*

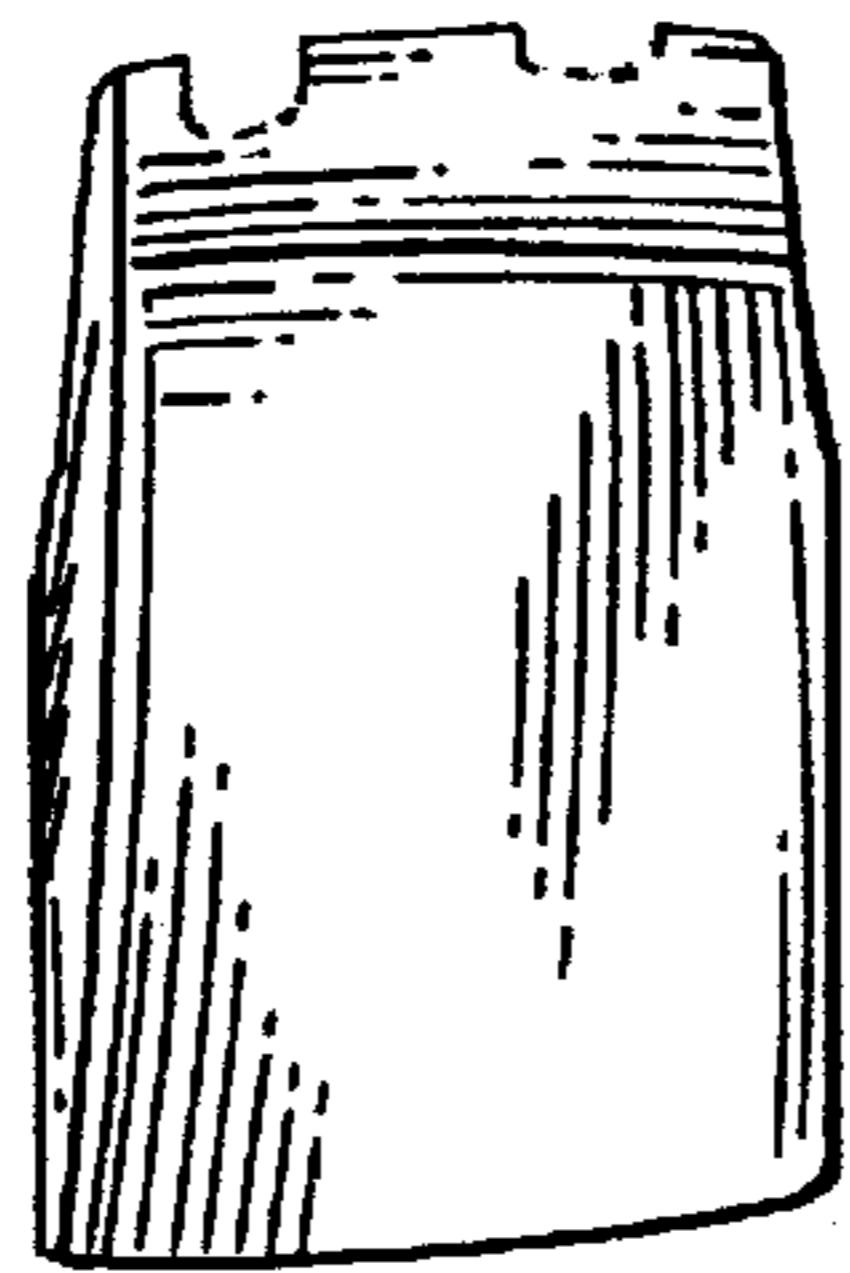
*Fig. 2*



*Fig. 3*



*Fig. 4*



*Fig. 5*