



US00D441768S

(12) **United States Design Patent**
Nagai et al.

(10) **Patent No.:** **US D441,768 S**

(45) **Date of Patent:** **** May 8, 2001**

(54) **ACTUATOR BODY**

(75) Inventors: **Shigekazu Nagai**, Tokyo; **Masaki Miyahara**, Ibaraki-ken, both of (JP)

(73) Assignee: **SMC Kabushiki Kaisha**, Tokyo (JP)

(**) Term: **14 Years**

(21) Appl. No.: **29/087,162**

(22) Filed: **Apr. 28, 1998**

(30) **Foreign Application Priority Data**

Nov. 6, 1997	(JP)	9-74047
Nov. 6, 1997	(JP)	9-74048
Nov. 6, 1997	(JP)	9-74049

(51) **LOC (7) Cl.** **15-02**

(52) **U.S. Cl.** **D15/7**

(58) **Field of Search** D15/1-5; 310/20,
310/80, 319, 317, 178; 60/412; 74/89.15;
29/56; 192/141

(56) **References Cited**

U.S. PATENT DOCUMENTS

D. 301,583	*	6/1989	Herner	D15/7
D. 331,584	*	12/1992	Aizawa	D15/5
D. 332,101	*	12/1992	Aizawa	D15/5
D. 367,863	*	3/1996	Shiino et al.	D15/5
D. 373,363	*	9/1996	Miyachi et al.	D15/5
D. 375,965	*	11/1996	Shiino et al.	D15/5
5,099,161	*	3/1992	Wolfbauer, III	310/80
5,796,187	*	8/1998	Nagai et al.	310/20

* cited by examiner

Primary Examiner—Ralf Seifert

(74) *Attorney, Agent, or Firm*—Frishauf, Holtz, Goodman, Langer & Chick

(57) **CLAIM**

The ornamental design for an actuator body, as shown and described.

DESCRIPTION

FIG. 1 is a top, front and left side perspective view of an actuator body showing our new design;

FIG. 2 is a front view thereof, the rear view being a mirror image thereof;

FIG. 3 is a right side view thereof, the left side view thereof being identical with the right side view;

FIG. 4 is a top plan view thereof;

FIG. 5 is a bottom plan view thereof;

FIG. 6 is a top, front and left side perspective view of a second embodiment thereof;

FIG. 7 is a front view thereof, the rear view being a mirror image thereof;

FIG. 8 is a right side view thereof, the left side view thereof being identical with the right side view;

FIG. 9 is a top plan view thereof;

FIG. 10 is a bottom plan view thereof;

FIG. 11 is a top, front and left side perspective view of a third embodiment thereof;

FIG. 12 is a front view thereof, the rear view being a mirror image thereof;

FIG. 13 is a right side view thereof, the left side view thereof being identical with the right side view;

FIG. 14 is a top plan view thereof; and,

FIG. 15 is a bottom plan view thereof.

1 Claim, 9 Drawing Sheets

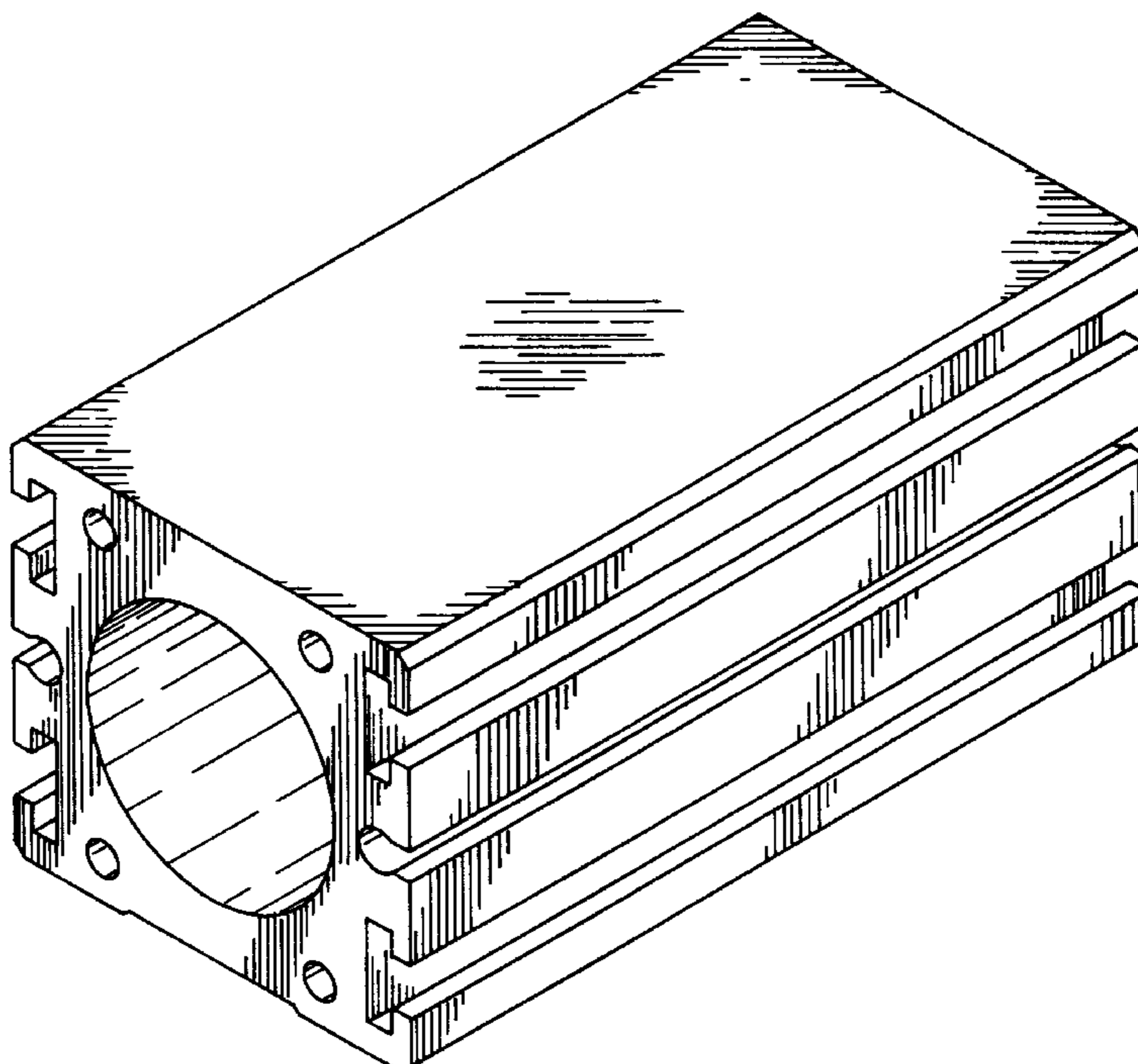


FIG. 1

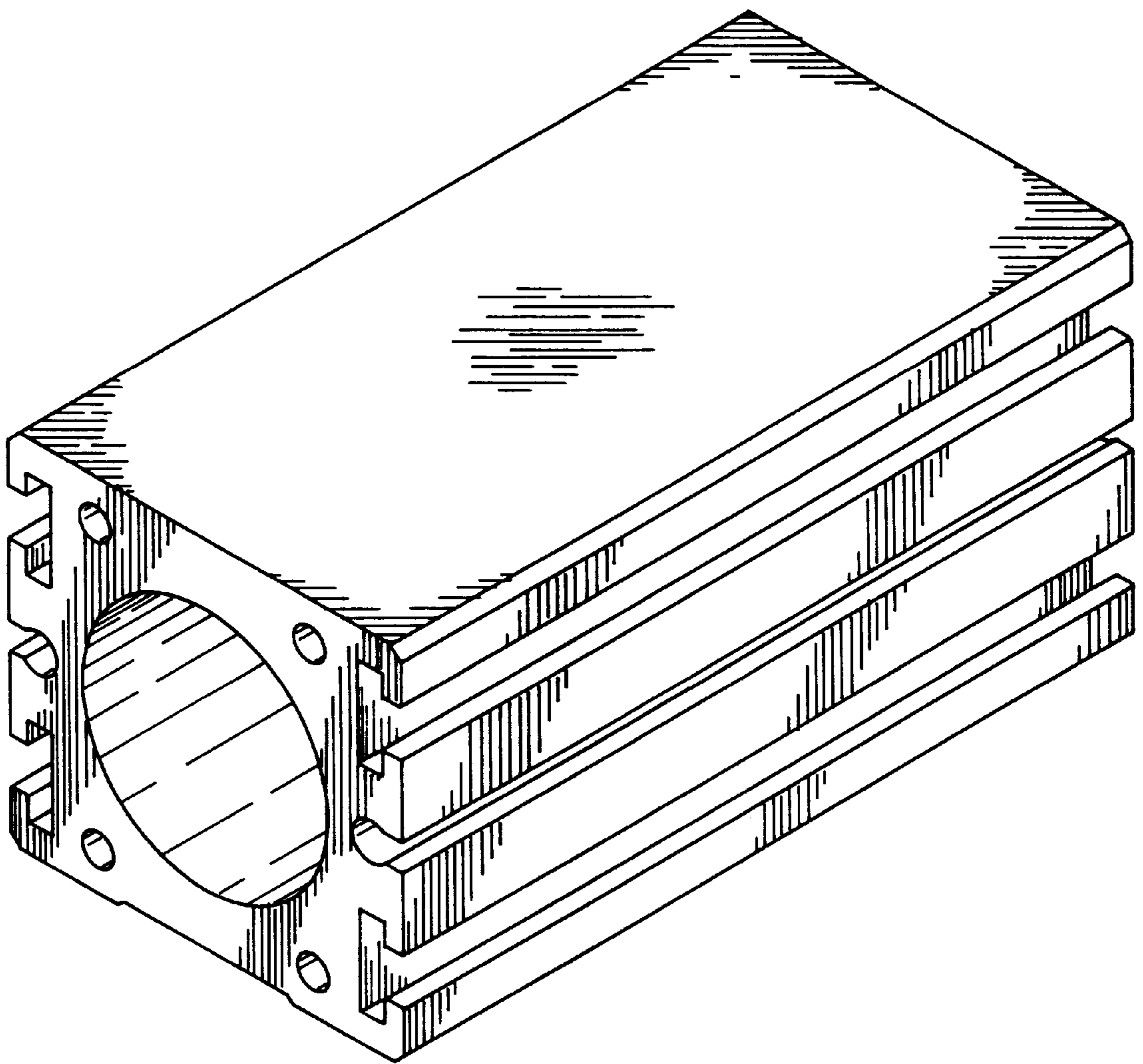


FIG. 2

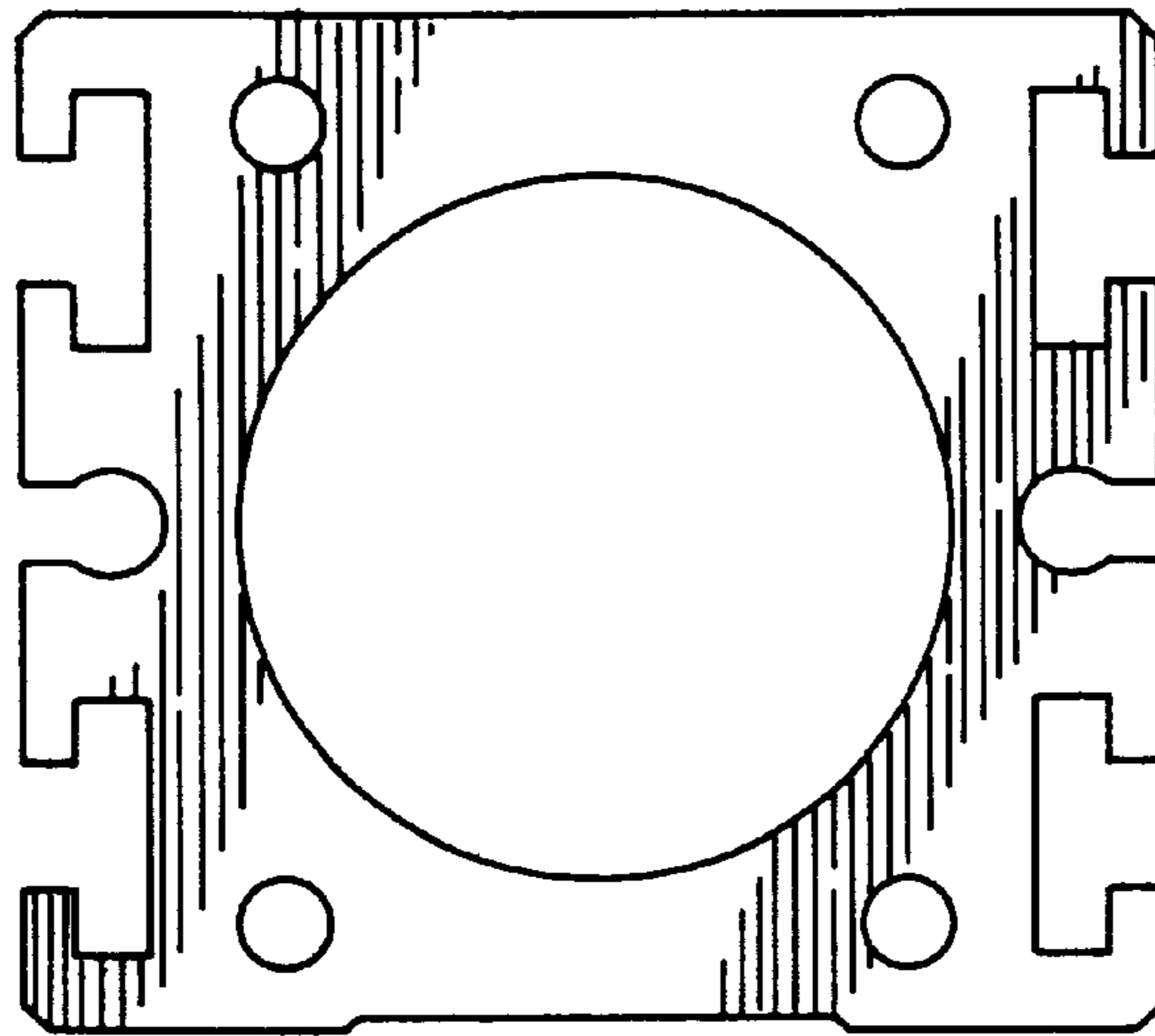


FIG. 3

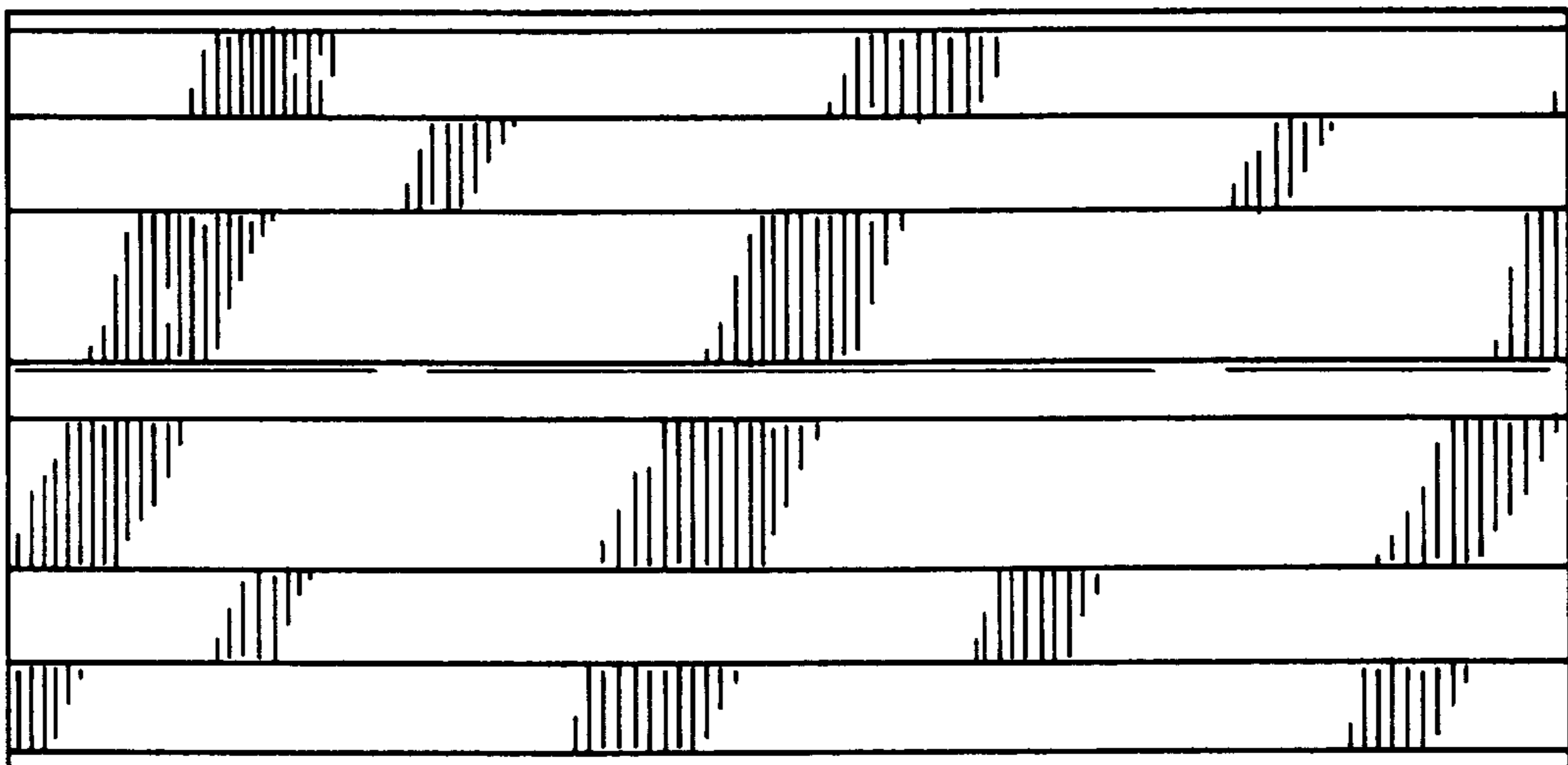


FIG. 4

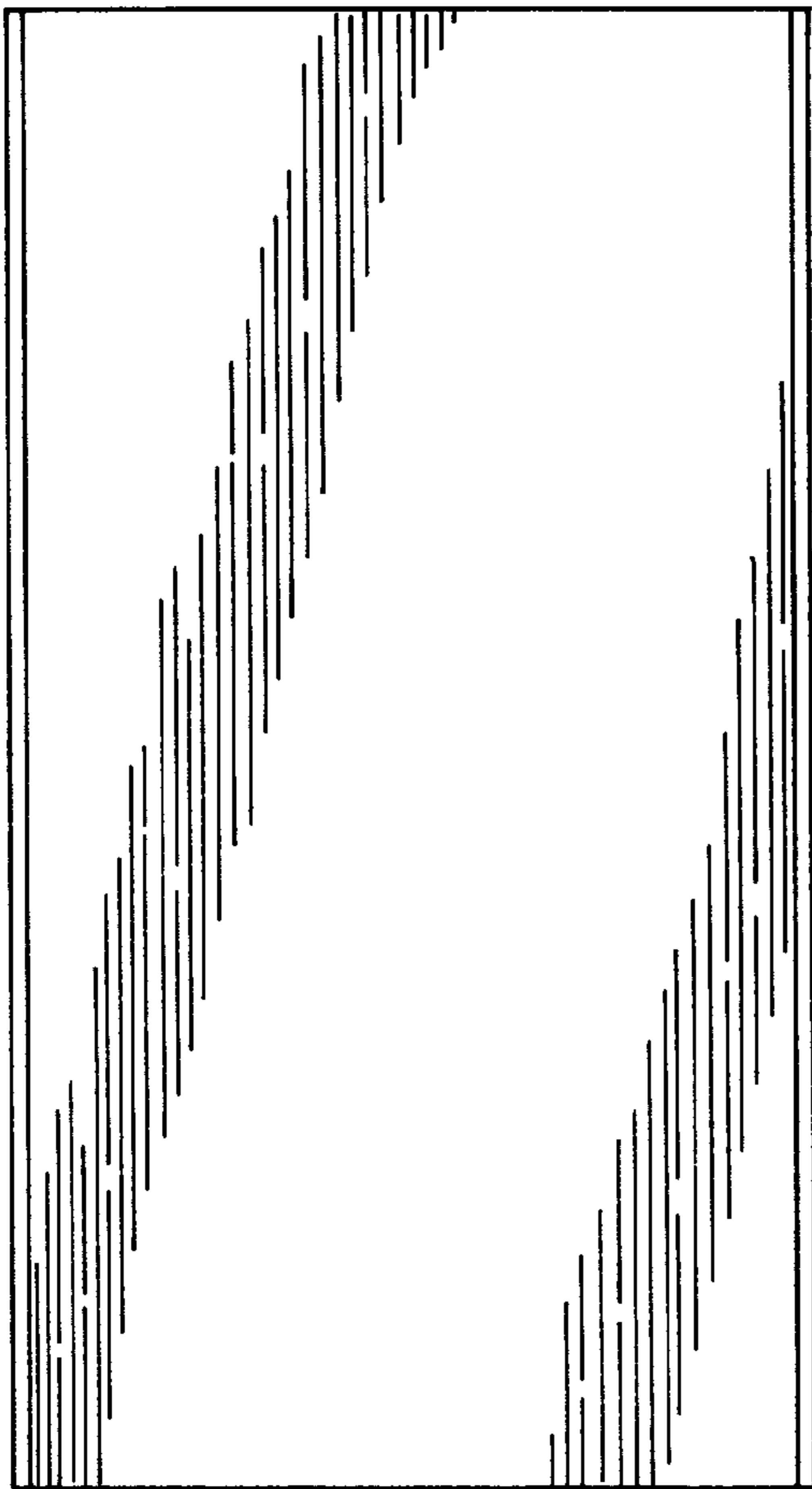


FIG. 5

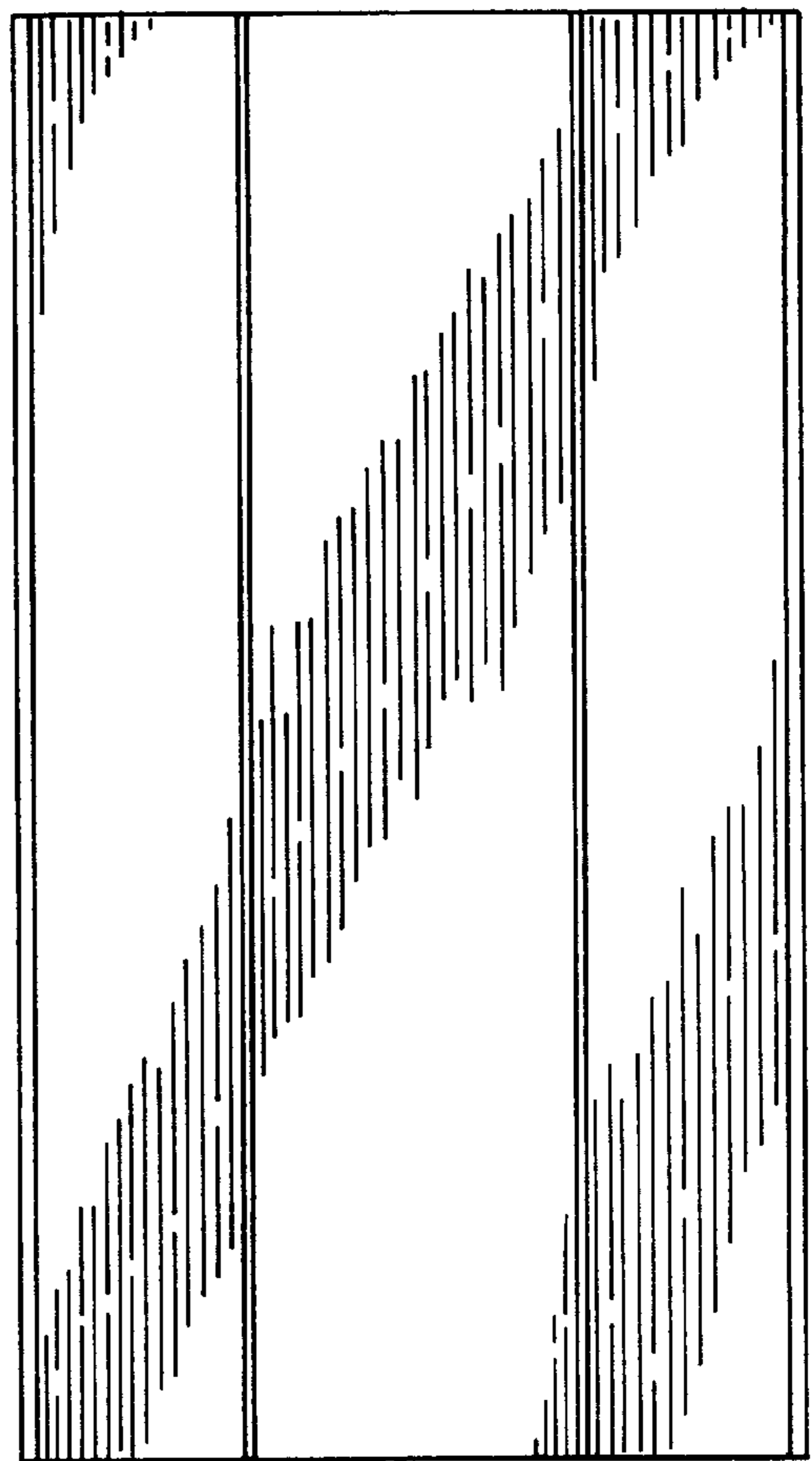


FIG. 6

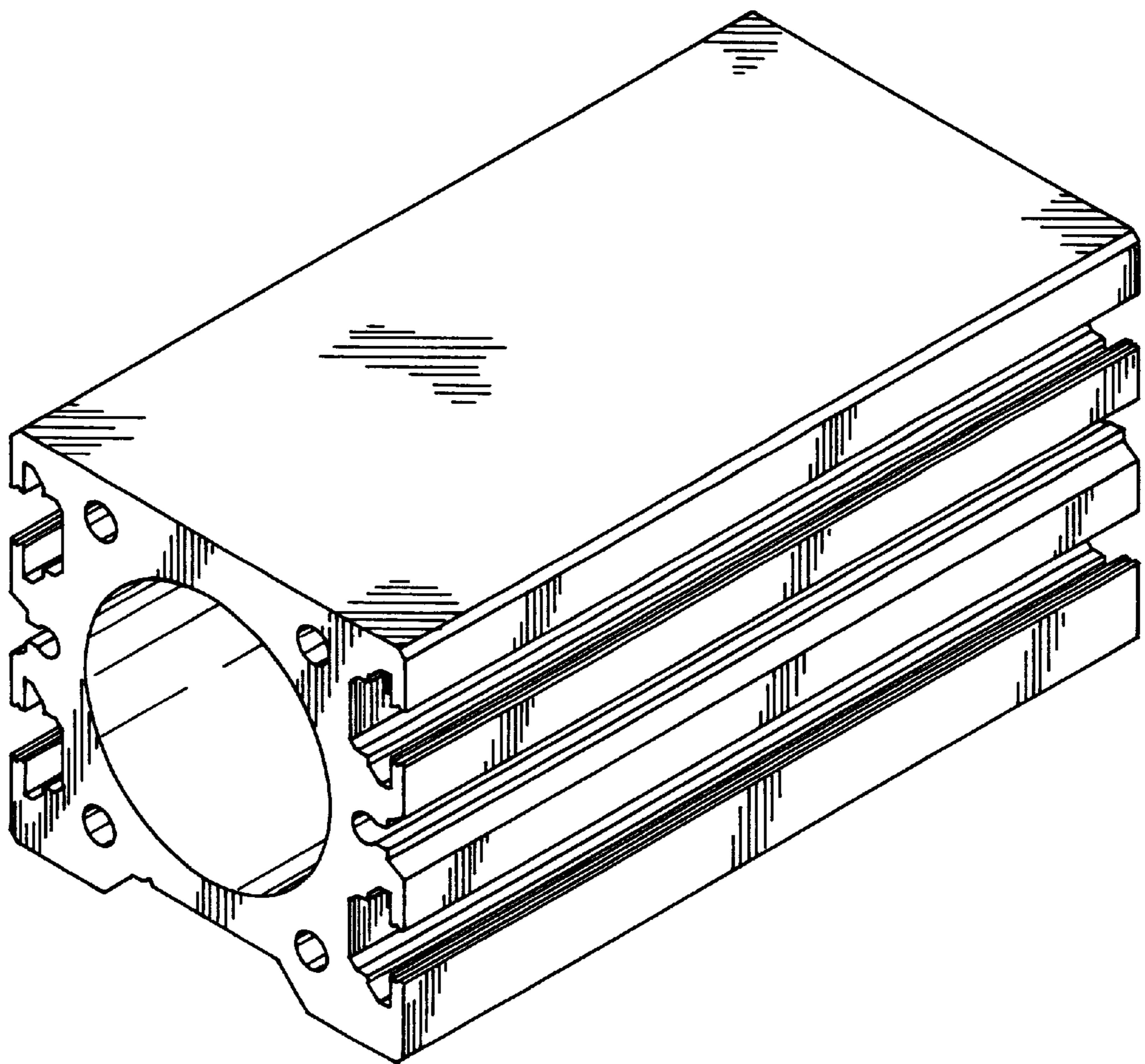


FIG. 7

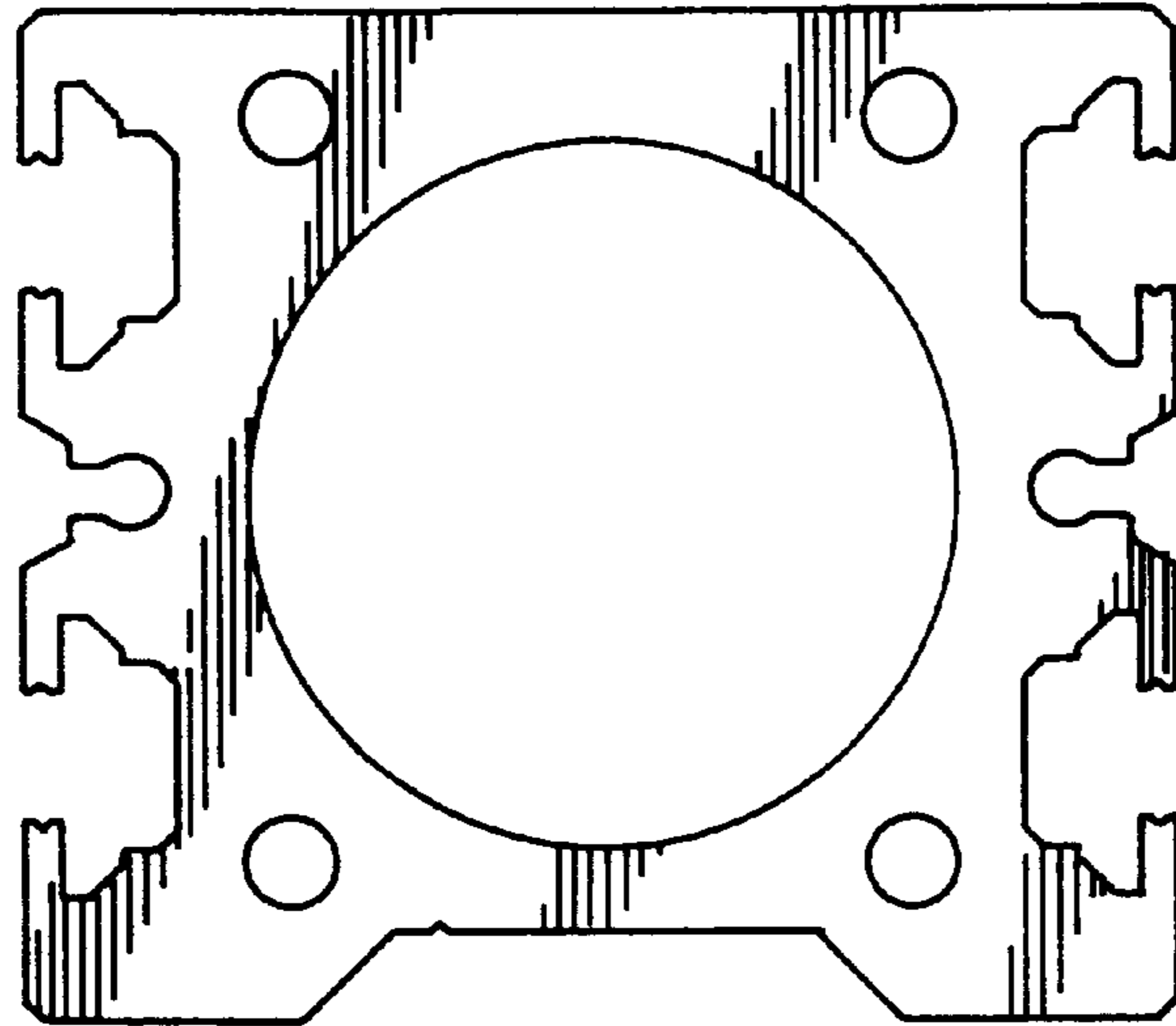


FIG. 8

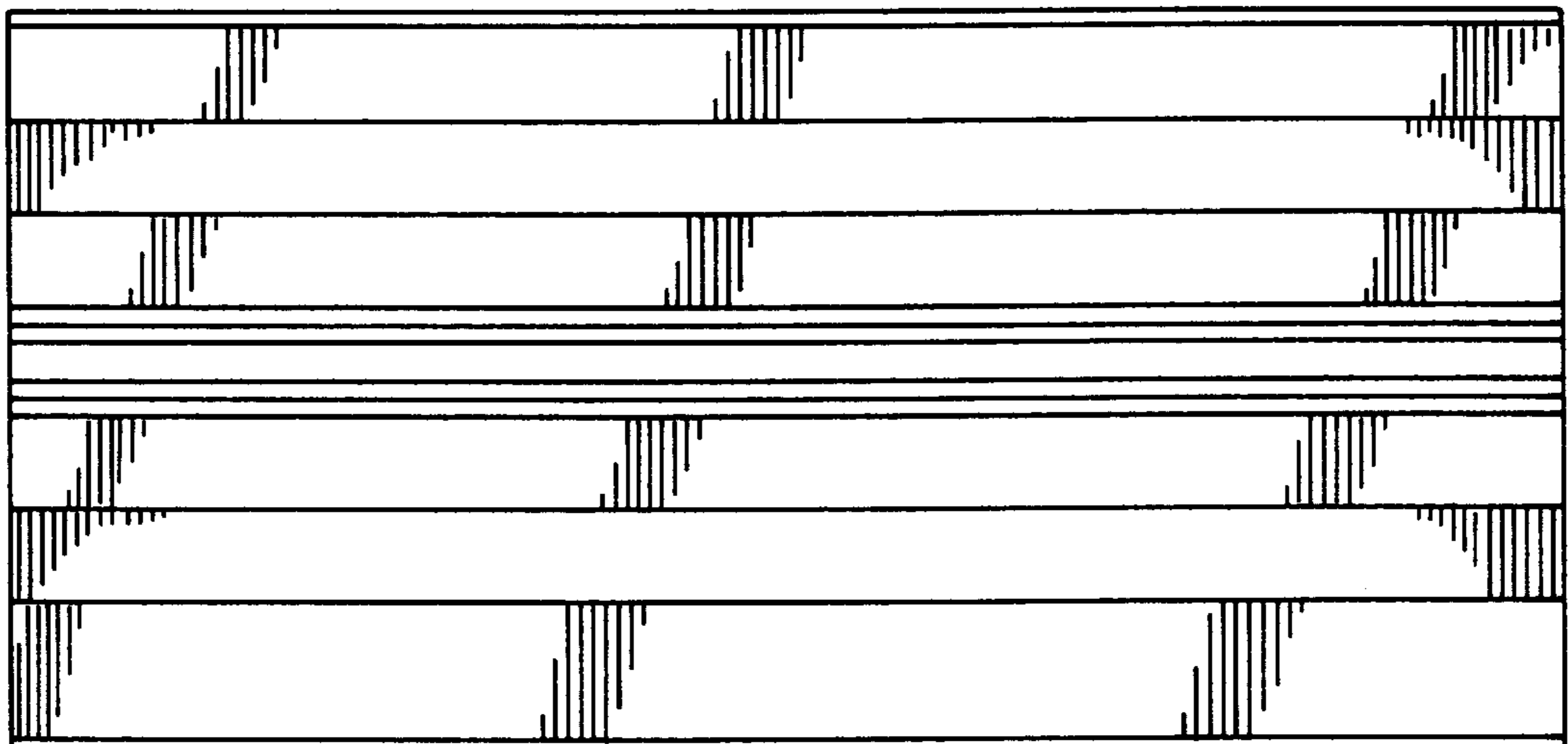


FIG. 9

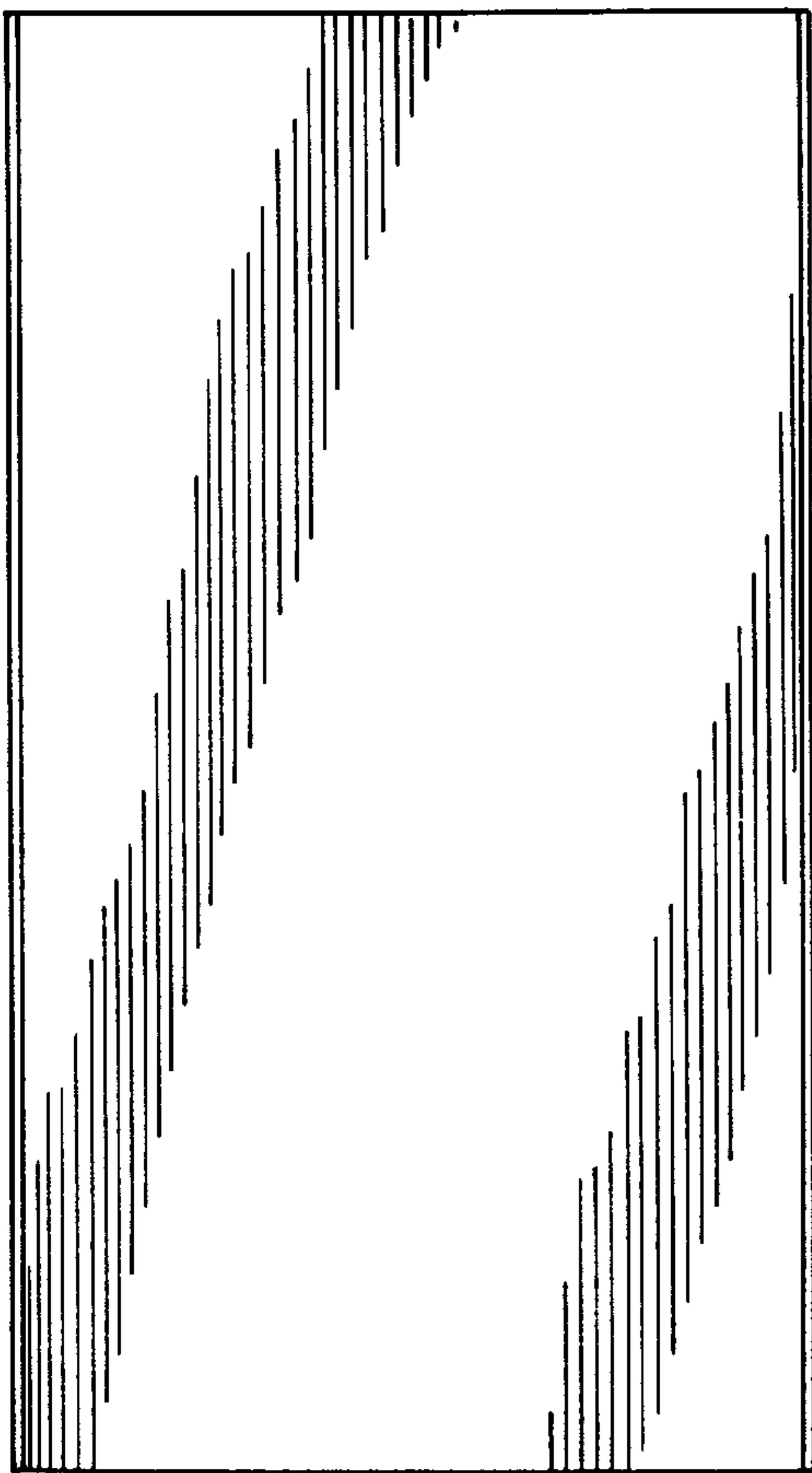


FIG. 10

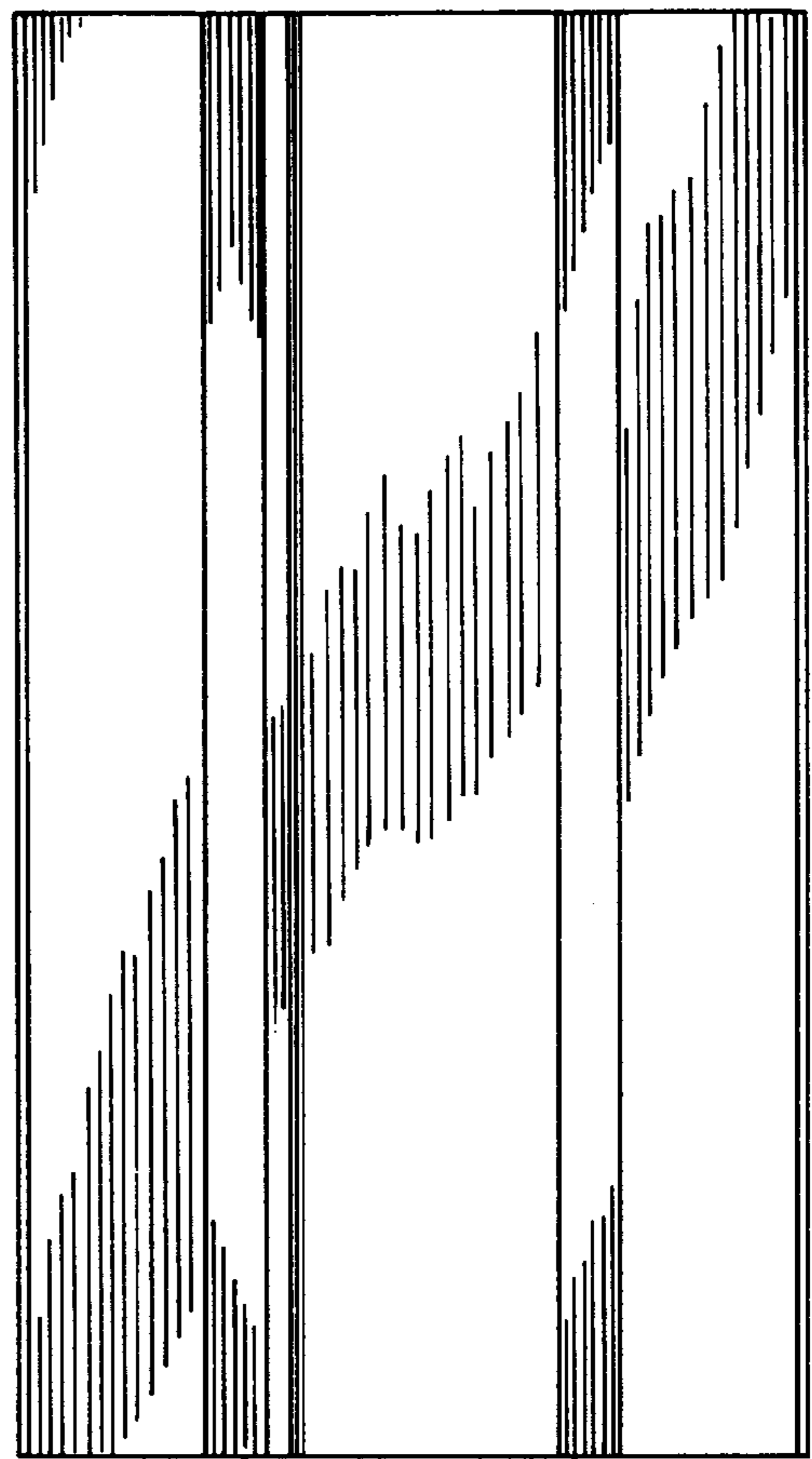


FIG. 11

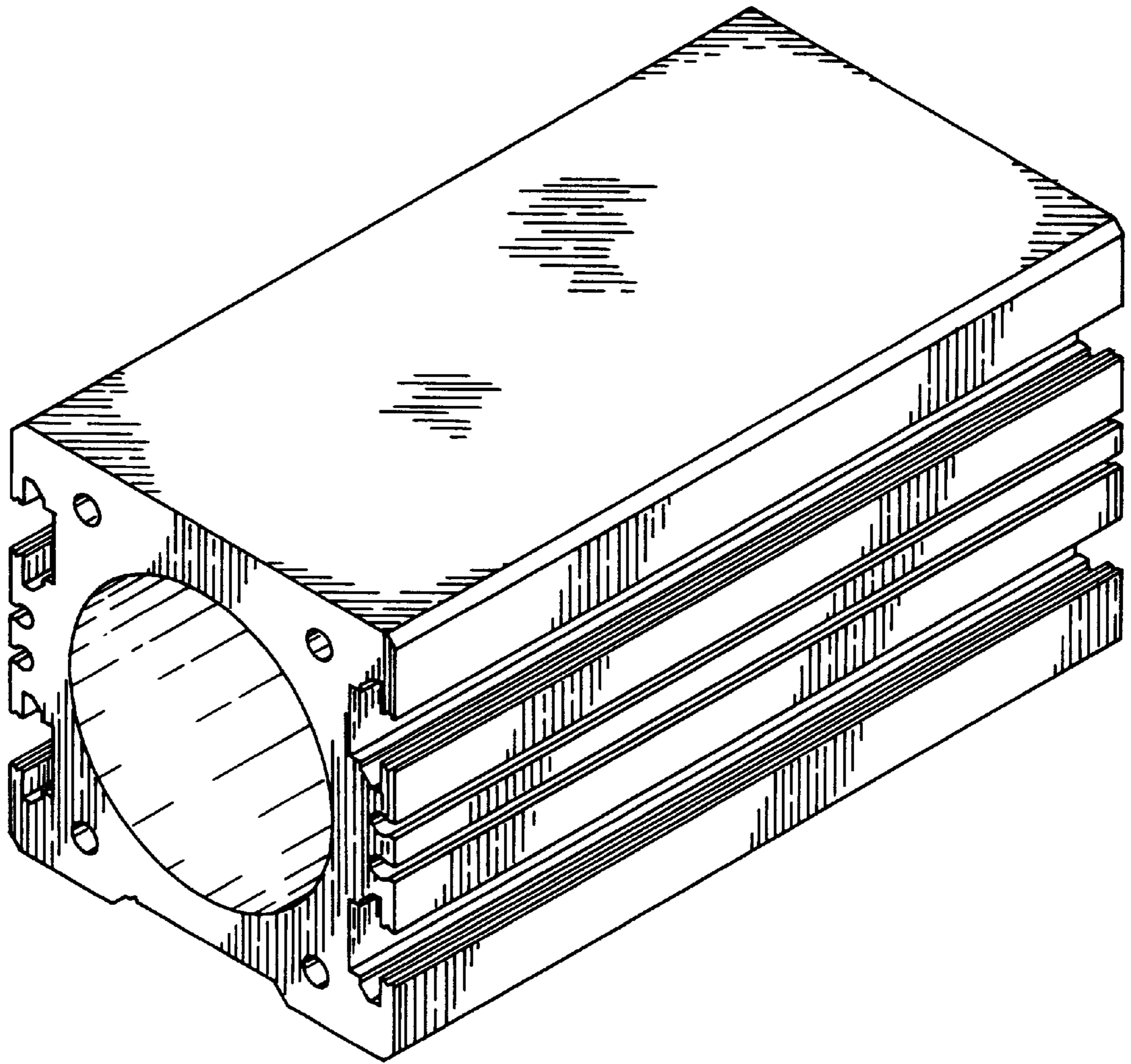


FIG. 12

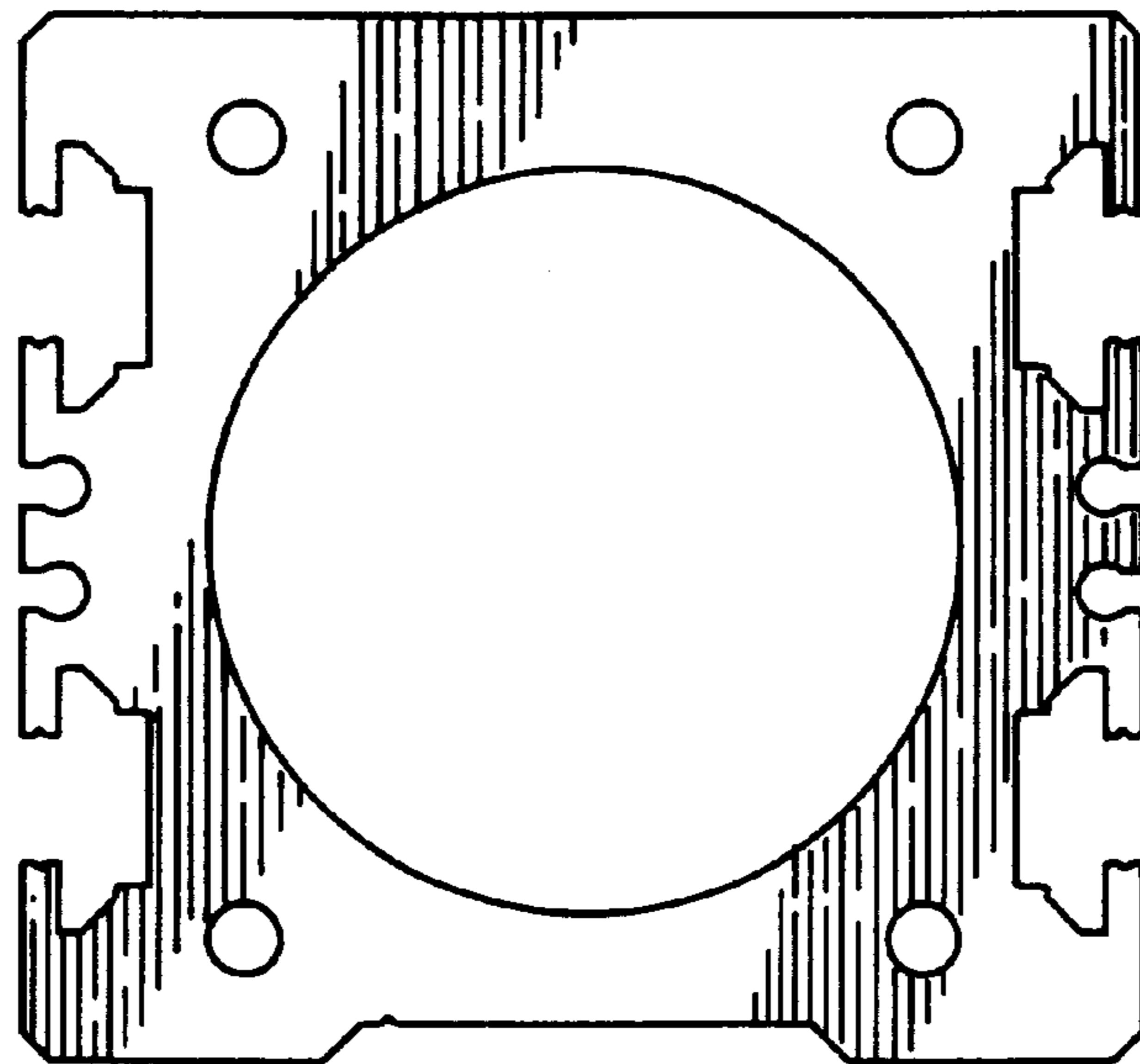


FIG. 13

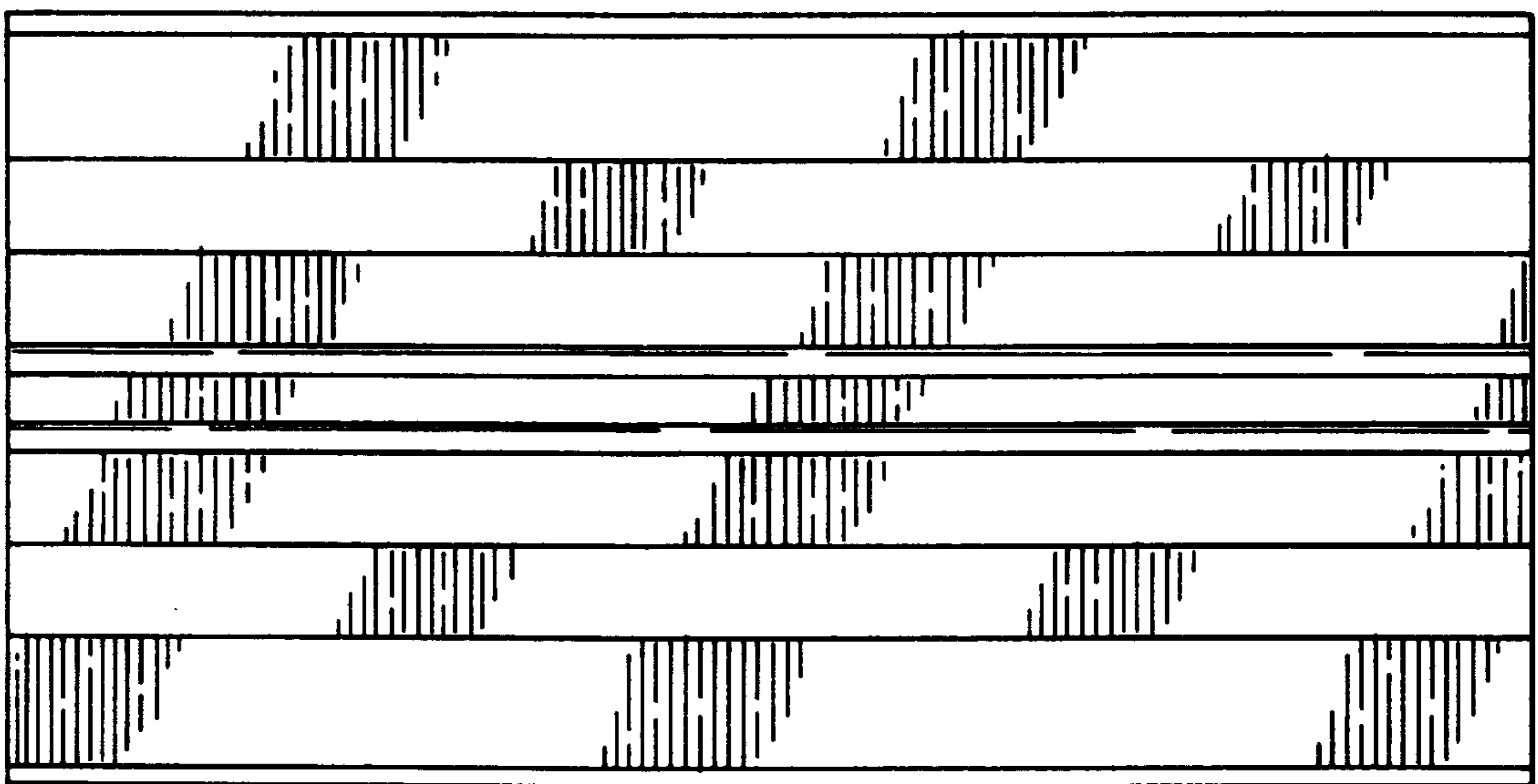


FIG. 14

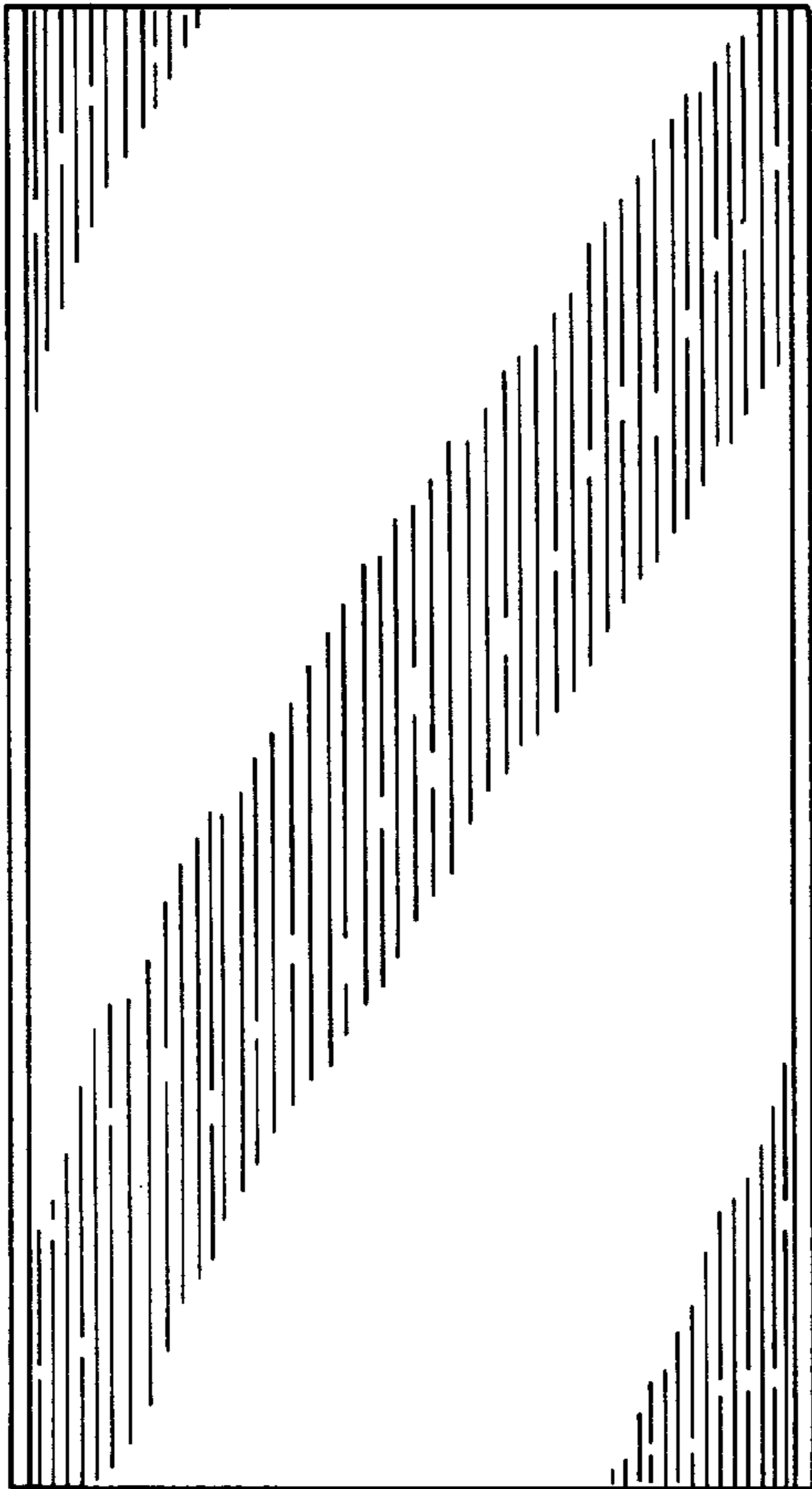


FIG. 15

