



US00D441767S

(12) **United States Design Patent**
Wolbers

(10) **Patent No.:** **US D441,767 S**

(45) **Date of Patent:** **** May 8, 2001**

(54) **PERMEATE PUMP HOUSING**

(75) Inventor: **Ralf Wolbers**, Schüttorf (DE)

(73) Assignee: **Aquatec Water Systems, Inc.**, Irvine, CA (US)

(**) Term: **14 Years**

(21) Appl. No.: **29/022,605**

(22) Filed: **May 9, 1994**

(51) **LOC (7) Cl.** **15-02**

(52) **U.S. Cl.** **D15/7**

(58) **Field of Search** D15/1-9.1; 417/424.1-424.2,
417/234, 411, 88, 393, 423.14

(56) **References Cited**

U.S. PATENT DOCUMENTS

- D. 295,047 * 4/1988 Price D15/7
- D. 305,124 * 12/1989 Singhoff D15/7
- D. 306,448 * 3/1990 Lannoch D15/7

- D. 351,602 * 10/1994 Rosebraugh D15/7
- D. 354,495 * 1/1995 Tojo D15/7
- 4,806,086 * 2/1989 La Grange et al. 417/423.14

* cited by examiner

Primary Examiner—Ralf Seifert

(74) *Attorney, Agent, or Firm*—Irell & Manella LLP

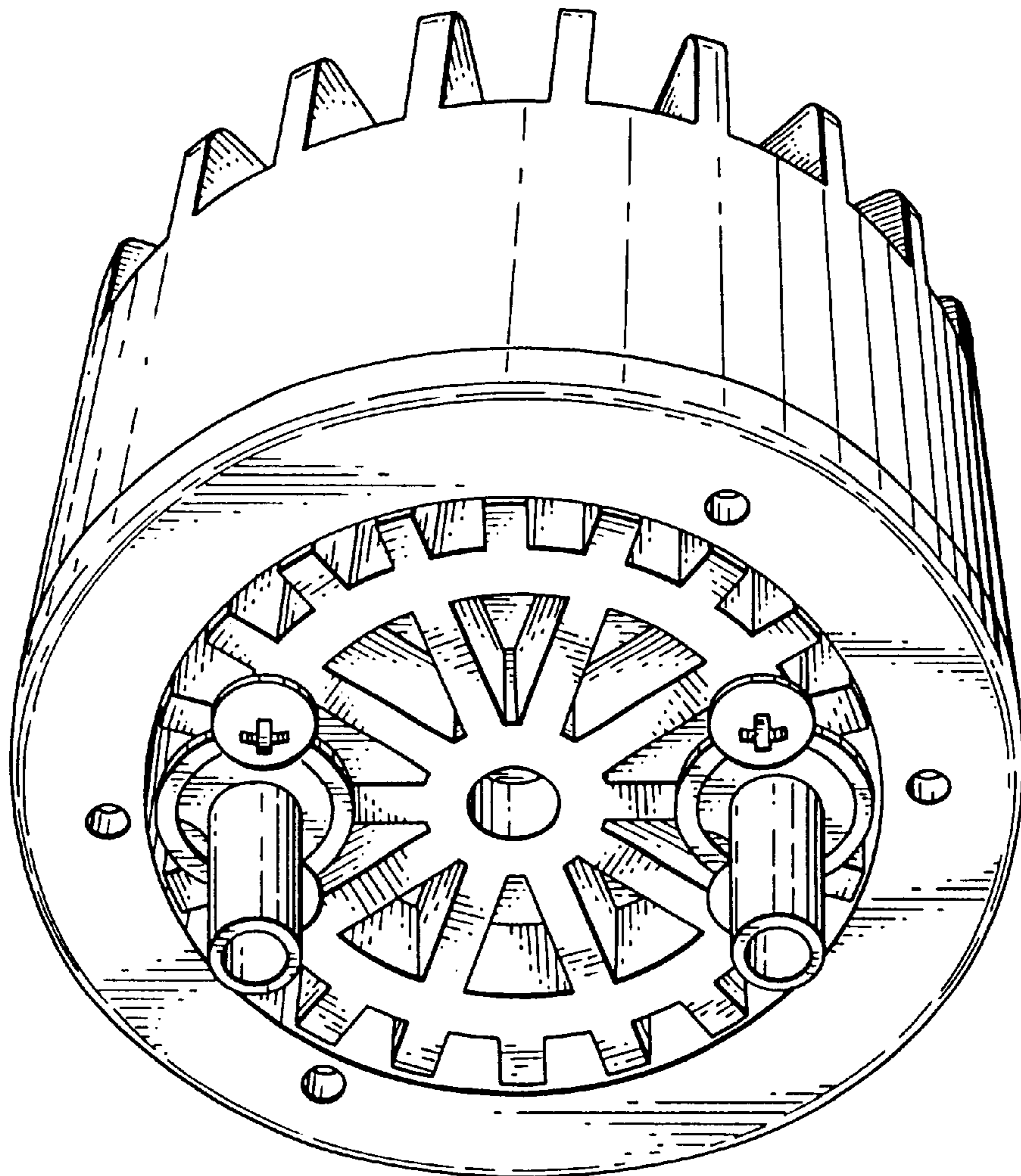
(57) **CLAIM**

The ornamental design for a permeate pump housing, as shown.

DESCRIPTION

FIG. 1 is a perspective view of a permeate pump housing comprising the present invention; FIG. 2 is a right end view of the permeate pump housing; FIG. 3 is a left end view of the permeate pump housing; FIG. 4 is a side elevational view of the permeate pump housing; and, FIG. 5 is a perspective view of the right end of the permeate pump housing.

1 Claim, 3 Drawing Sheets



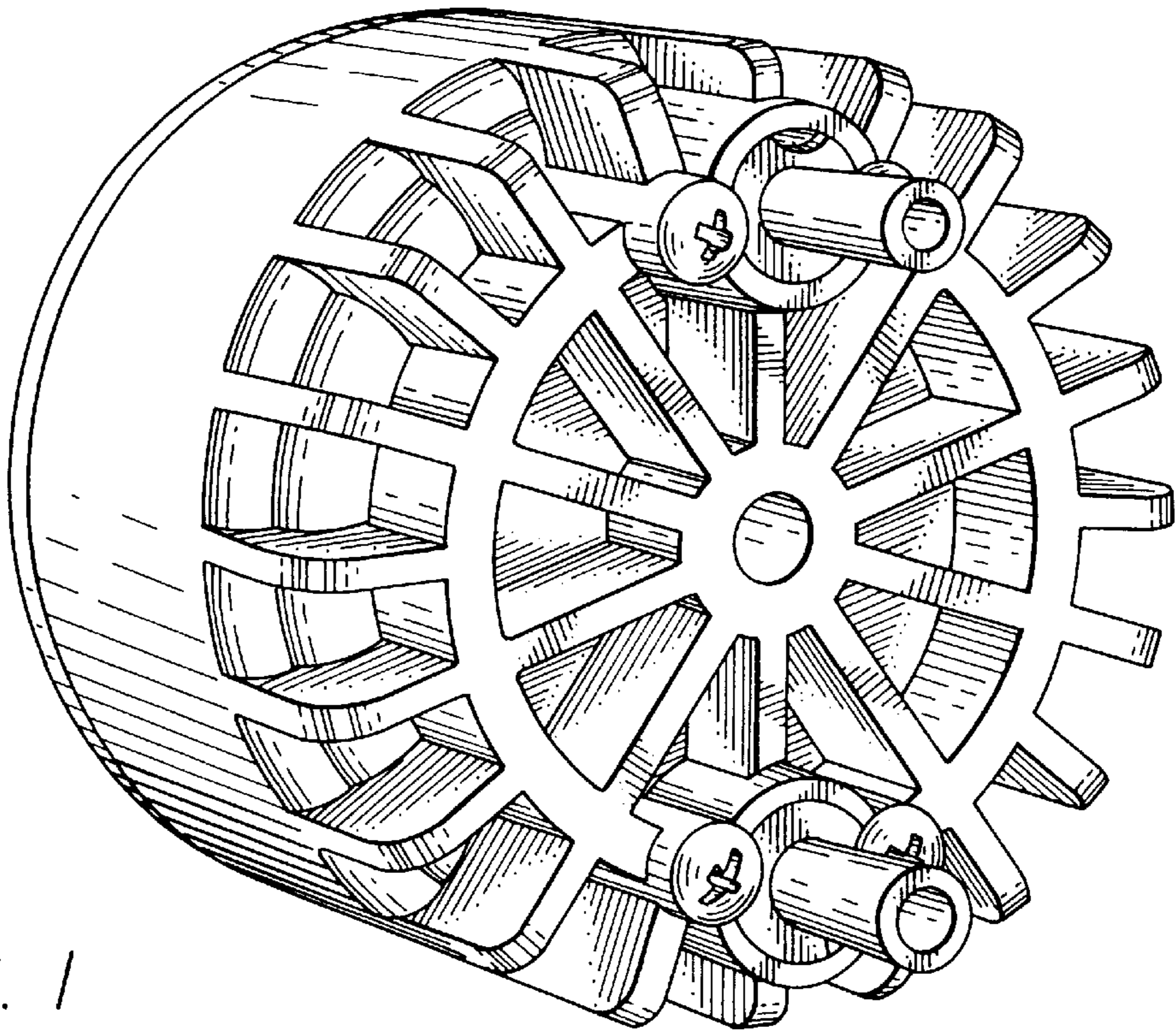


FIG. 1

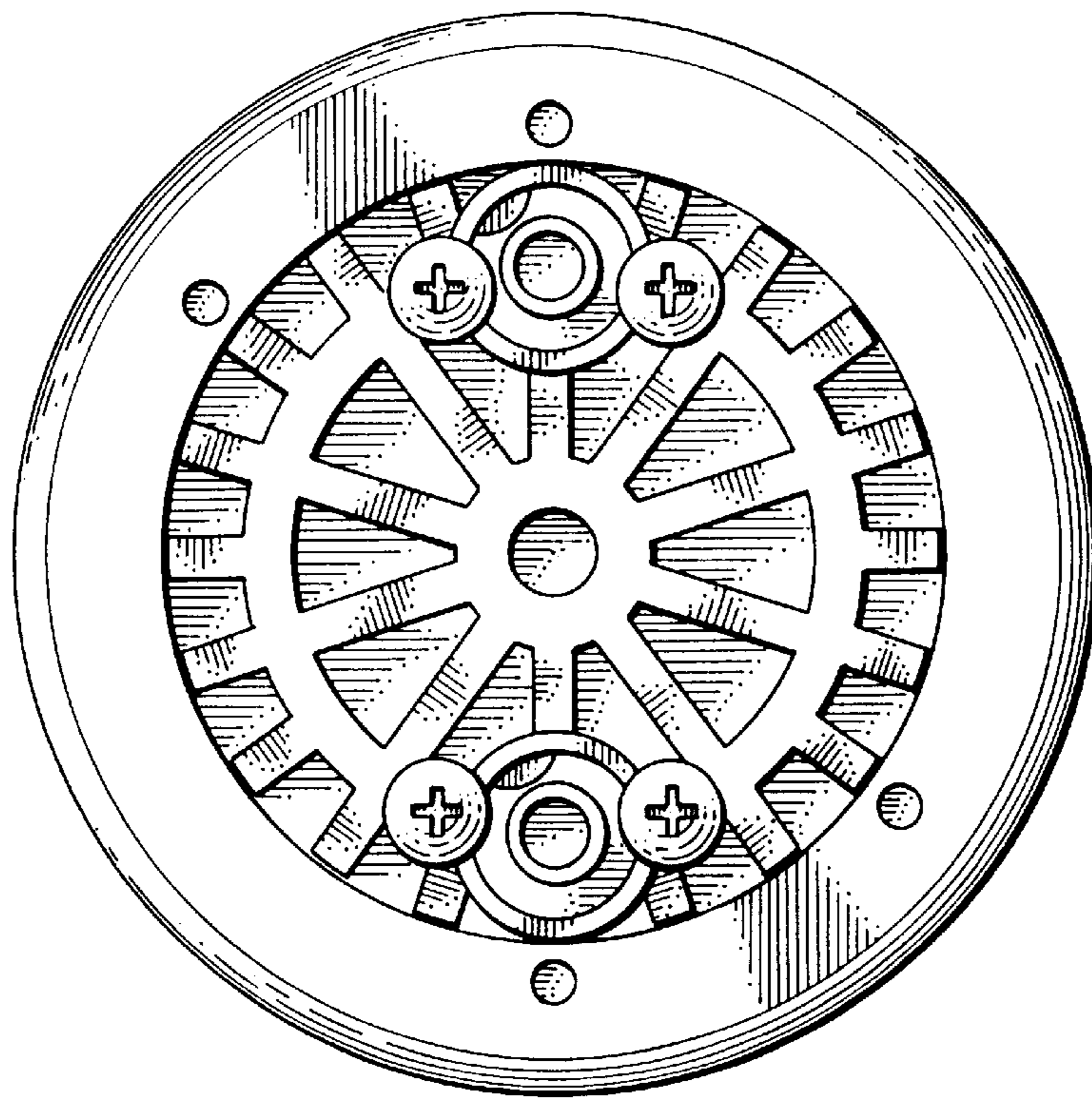


FIG. 2

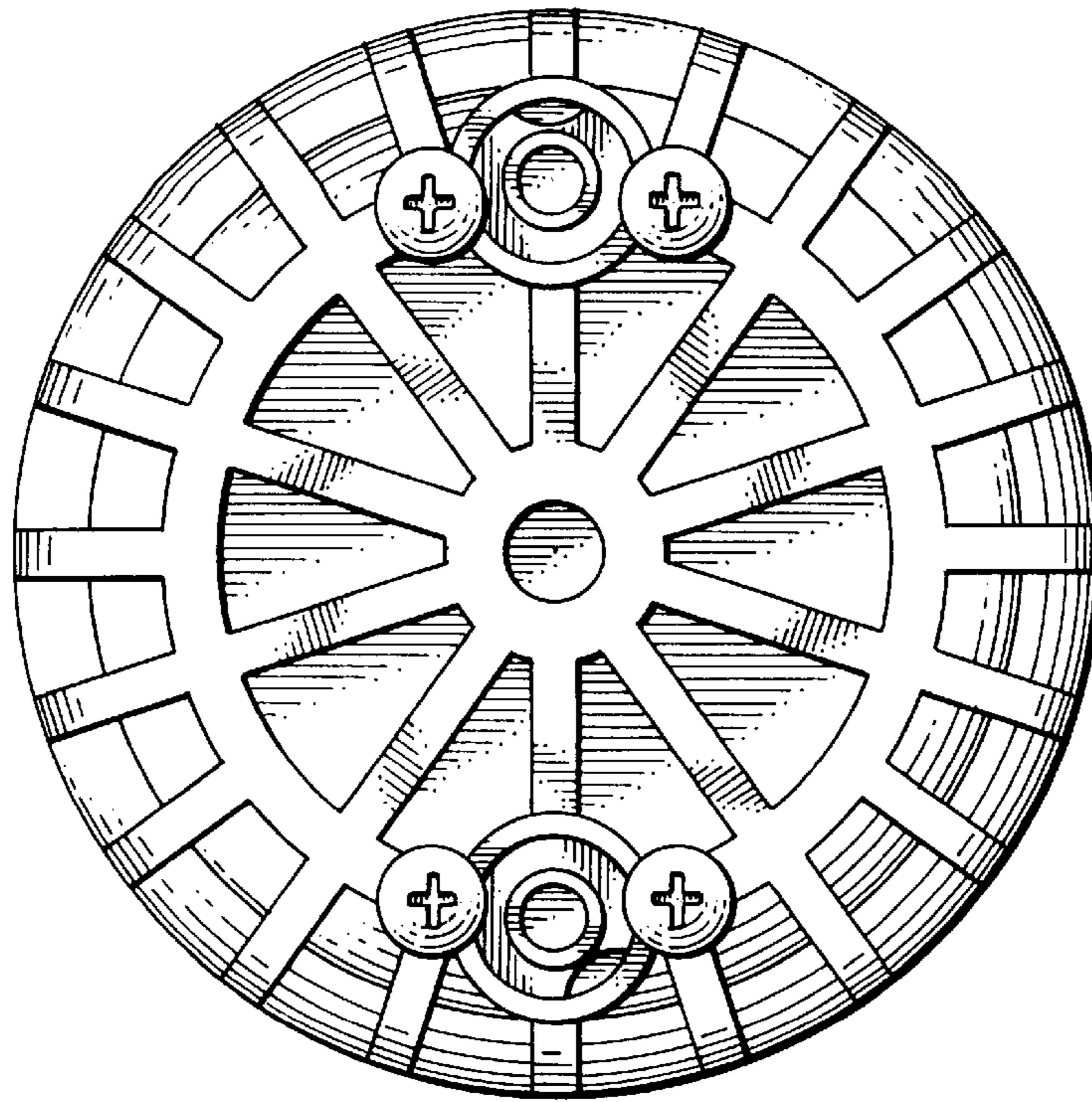


FIG. 3

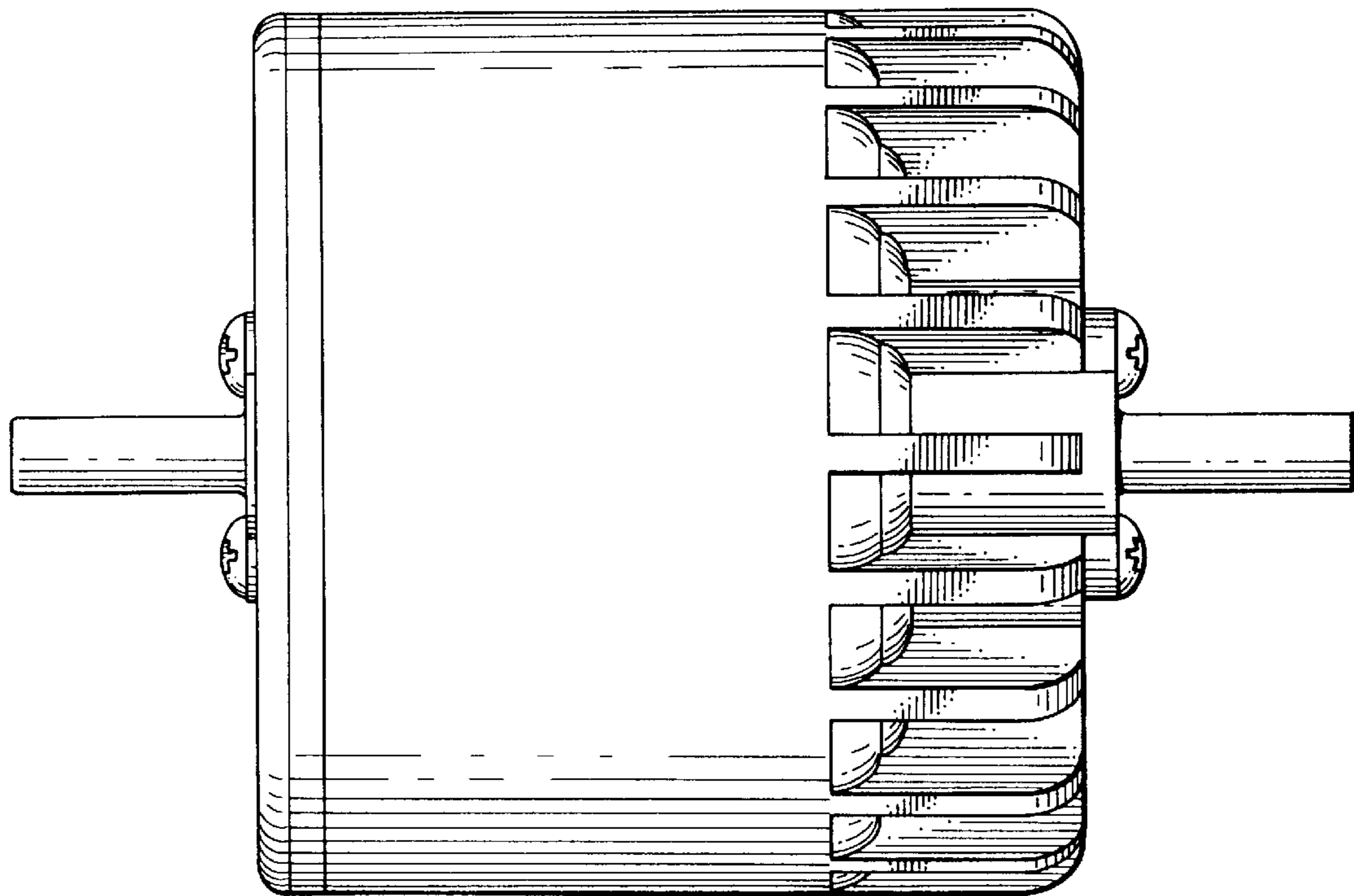


FIG. 4

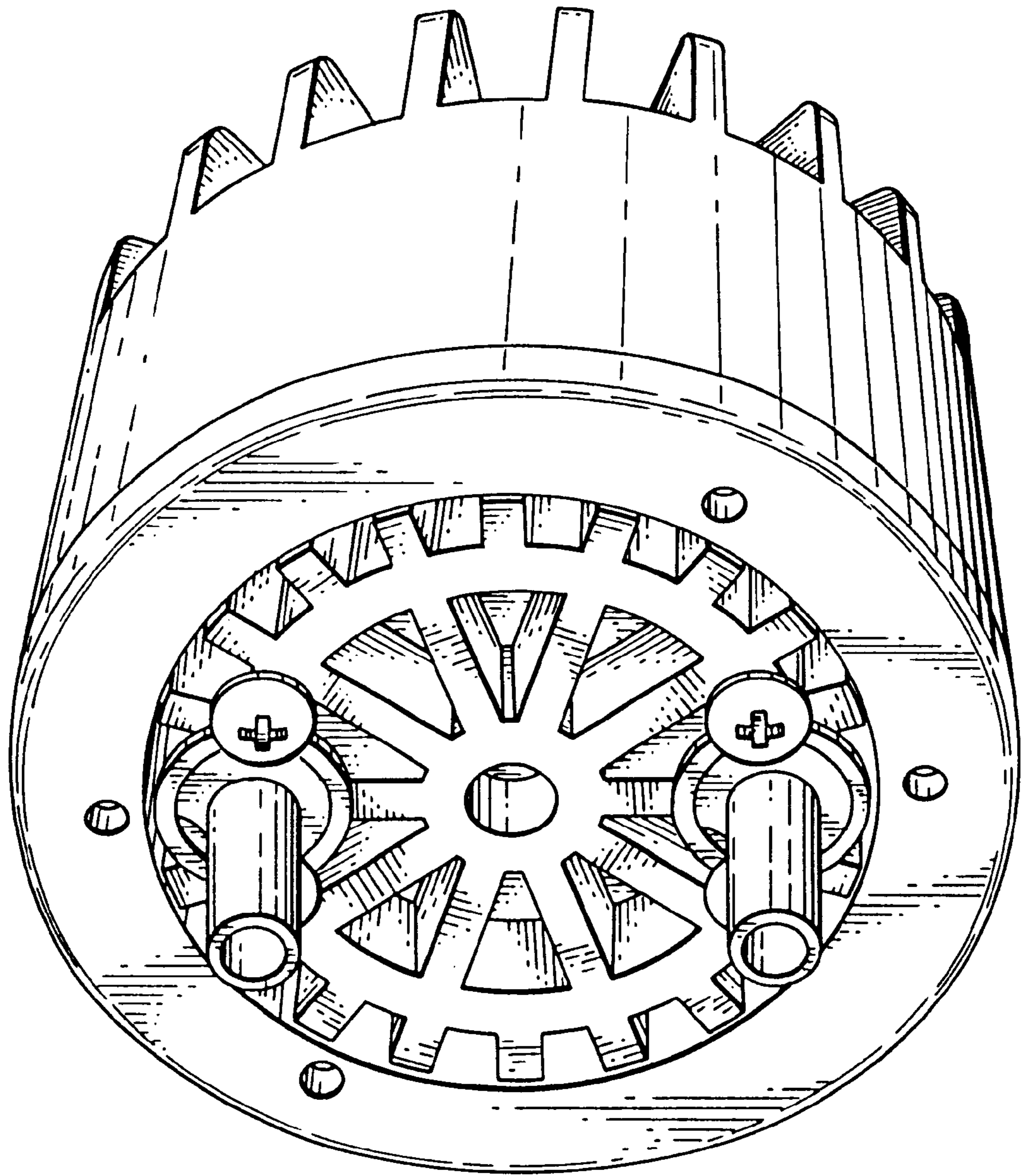


FIG. 5