



US00D441766S

(12) **United States Design Patent**  
**Hultzman et al.**

(10) **Patent No.: US D441,766 S**

(45) **Date of Patent: \*\* May 8, 2001**

(54) **DOCUMENT VALIDATION TERMINAL**

(75) Inventors: **Scott D. Hultzman**, Putnam, CT (US);  
**Craig Whitaker; Scott Osiecki**, both  
of Skaneateles, NY (US); **Ronald**  
**Kingston**, Camillus, NY (US)

(73) Assignee: **GTECH Rhode Island Corporation**,  
W. Greenwich, RI (US)

(\*\*) Term: **14 Years**

(21) Appl. No.: **29/119,723**

(22) Filed: **Mar. 7, 2000**

(51) **LOC (7) Cl. .... 14-03**

(52) **U.S. Cl. .... D14/496**

(58) **Field of Search** ..... D14/496, 400,  
D14/401; D21/324-329, 338, 333, 369,  
370, 371; 273/148 B, 138.1, 139, 138.2,  
459, 460; 463/1, 16-22, 46, 47, 25-28

(56) **References Cited**

**U.S. PATENT DOCUMENTS**

- D. 259,795 7/1981 Longo .
- D. 263,157 2/1982 Takagi .
- D. 270,360 8/1983 Wickstead .
- D. 284,376 \* 6/1986 Carter et al. .... D14/496 X
- D. 308,991 7/1990 Cheung .
- D. 322,966 1/1992 Kasano et al. .
- D. 324,886 3/1992 Giles .
- D. 334,414 3/1993 Kitaue .
- D. 346,408 4/1994 Lee .
- D. 349,524 \* 8/1994 Brettscheider ..... D21/371
- D. 350,993 \* 9/1994 Black ..... D21/329
- D. 357,508 4/1995 Carre .
- D. 358,430 5/1995 Rissman et al. .
- D. 358,951 6/1995 Raynor .
- D. 369,146 4/1996 Onoda et al. .
- D. 373,354 9/1996 Maslow .
- D. 384,980 10/1997 Willems et al. .
- D. 385,536 10/1997 Forsythe .
- D. 395,458 6/1998 Smith et al. .
- D. 395,463 \* 6/1998 Acott et al. .... D21/371

- D. 395,925 \* 7/1998 Wai ..... D21/329
- D. 410,037 5/1999 Hoopes .
- D. 410,499 6/1999 Smith et al. .
- D. 411,588 6/1999 Hoopes .
- D. 412,018 7/1999 Hoopes .
- D. 414,525 9/1999 Howard .
- 4,398,723 8/1983 Erickson et al. .
- 4,536,164 8/1985 Klawitter .
- 4,689,742 \* 8/1987 Troy et al. .... 463/18
- 4,882,473 \* 11/1989 Bergeron et al. .... 463/17
- 5,110,129 \* 5/1992 Alvarez ..... 463/18
- 5,161,803 11/1992 Ohara .
- 5,736,975 4/1998 Lunetta .
- 6,024,641 \* 2/2000 Sarno ..... 463/17
- 6,048,268 \* 4/2000 Humble ..... 463/17
- 6,056,289 \* 5/2000 Clapper, Jr. .... 463/17

**OTHER PUBLICATIONS**

Playthings, "Electronic Circuit," "Ms. Pac-Man and Donkey Kong Jr. swing into Coleco," p. 104, Feb. 1983.  
Playthings, p. 38, Mar. 1994.  
Spiegel Home World, p. 47, 1983.

\* cited by examiner

*Primary Examiner*—Prabhakar Deshmukh

(74) *Attorney, Agent, or Firm*—Peter J. Manus; Edwards & Angell, LLP

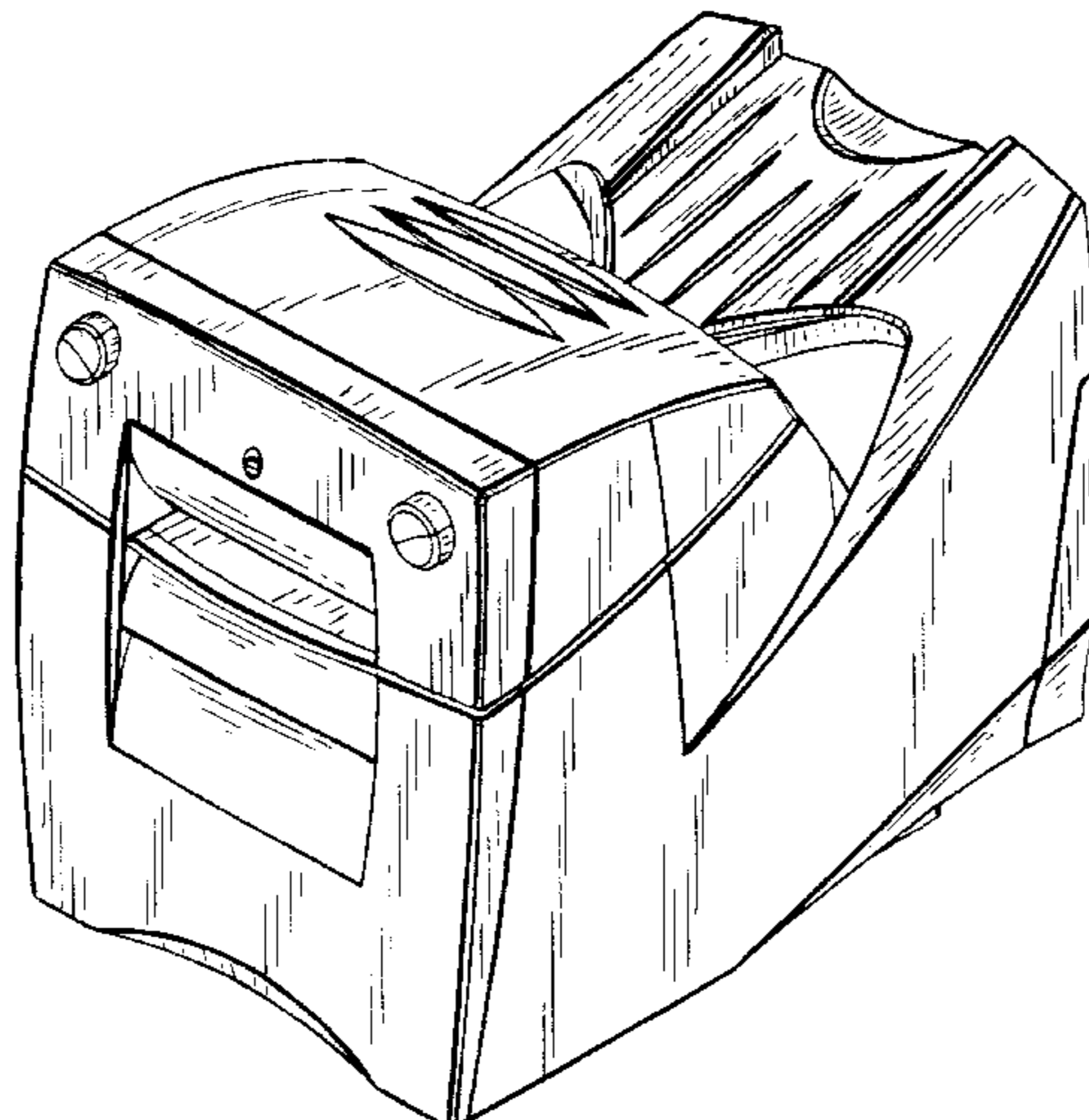
(57) **CLAIM**

The ornamental design for document validation terminal, as shown.

**DESCRIPTION**

FIG. 1 is a perspective view of document validation terminal showing our new design;  
FIG. 2 is a front elevational view thereof;  
FIG. 3 is a rear elevational view thereof;  
FIG. 4 is a right side elevational view thereof;  
FIG. 5 is a left side elevational view thereof;  
FIG. 6 is a top plan view thereof; and,  
FIG. 7 is a bottom plan view thereof.

**1 Claim, 7 Drawing Sheets**



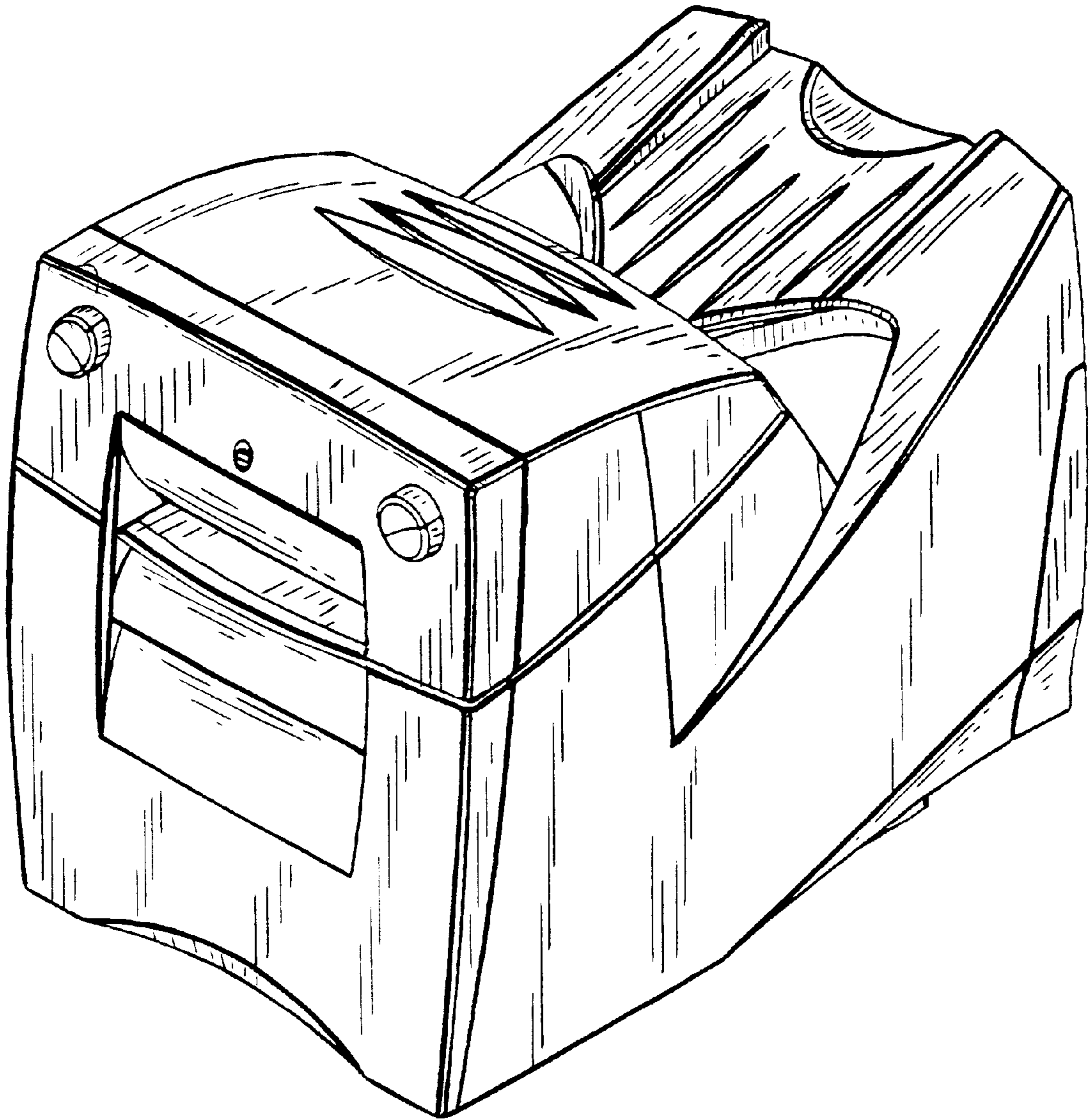


FIG. 1

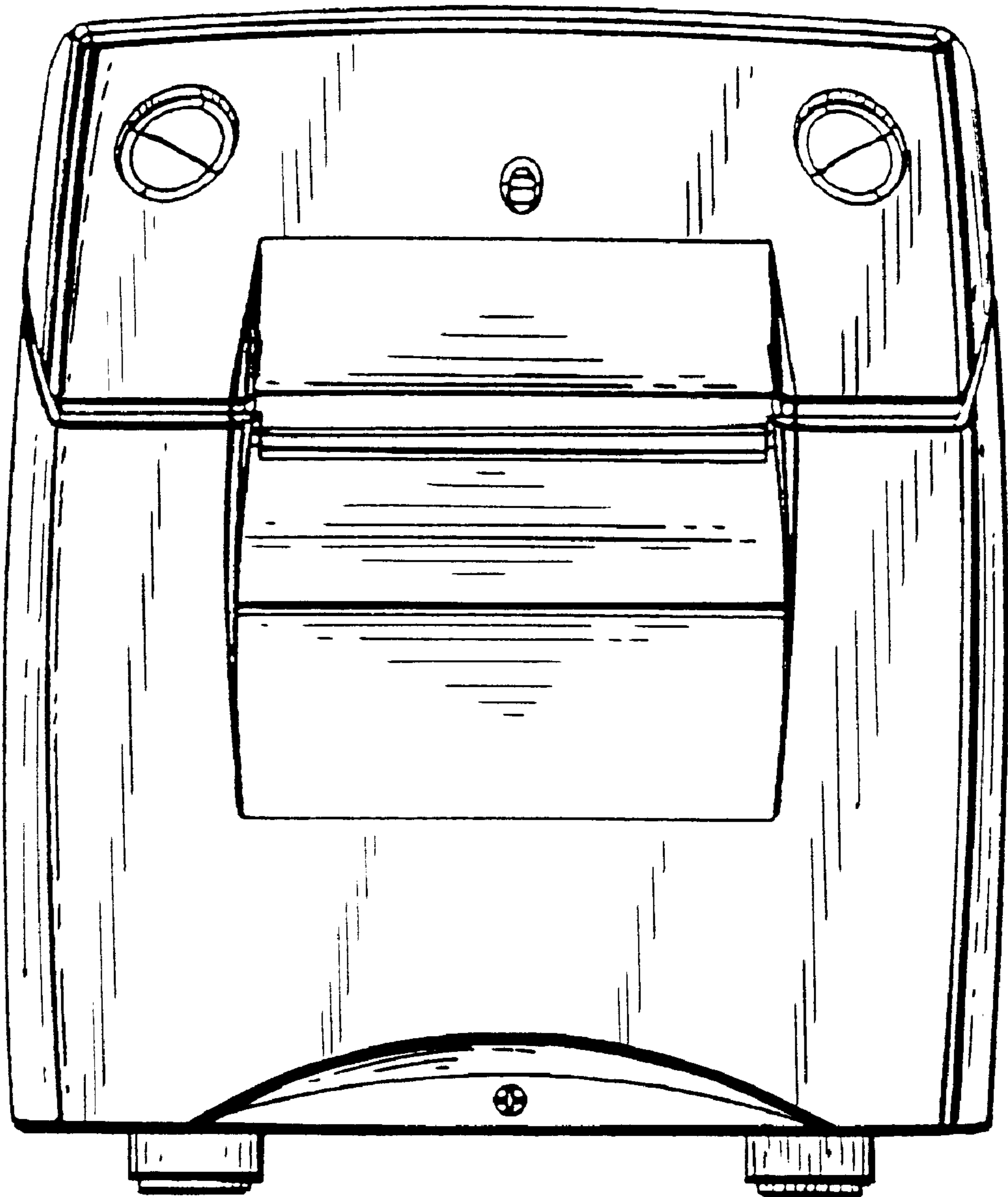


FIG. 2

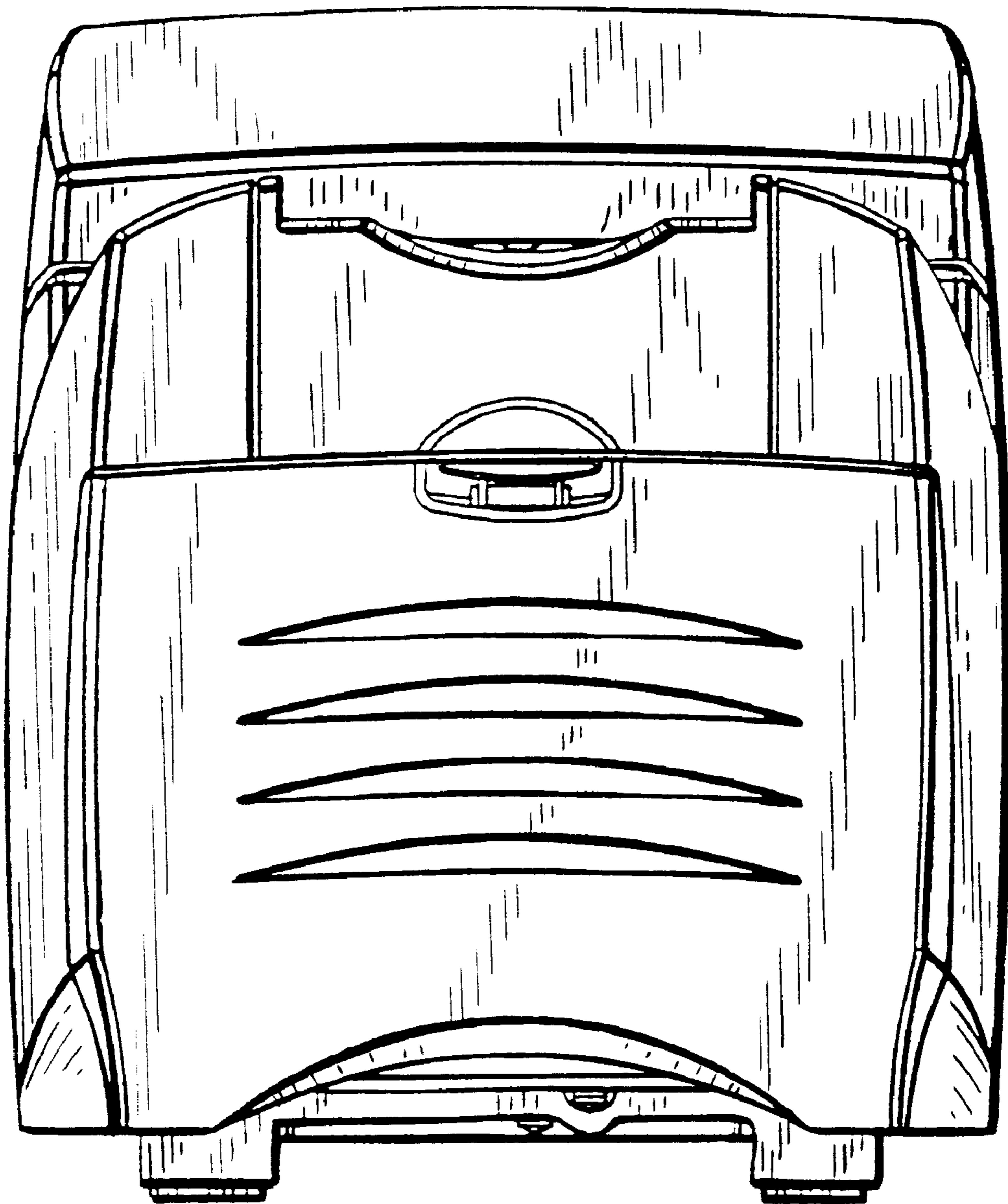


FIG. 3

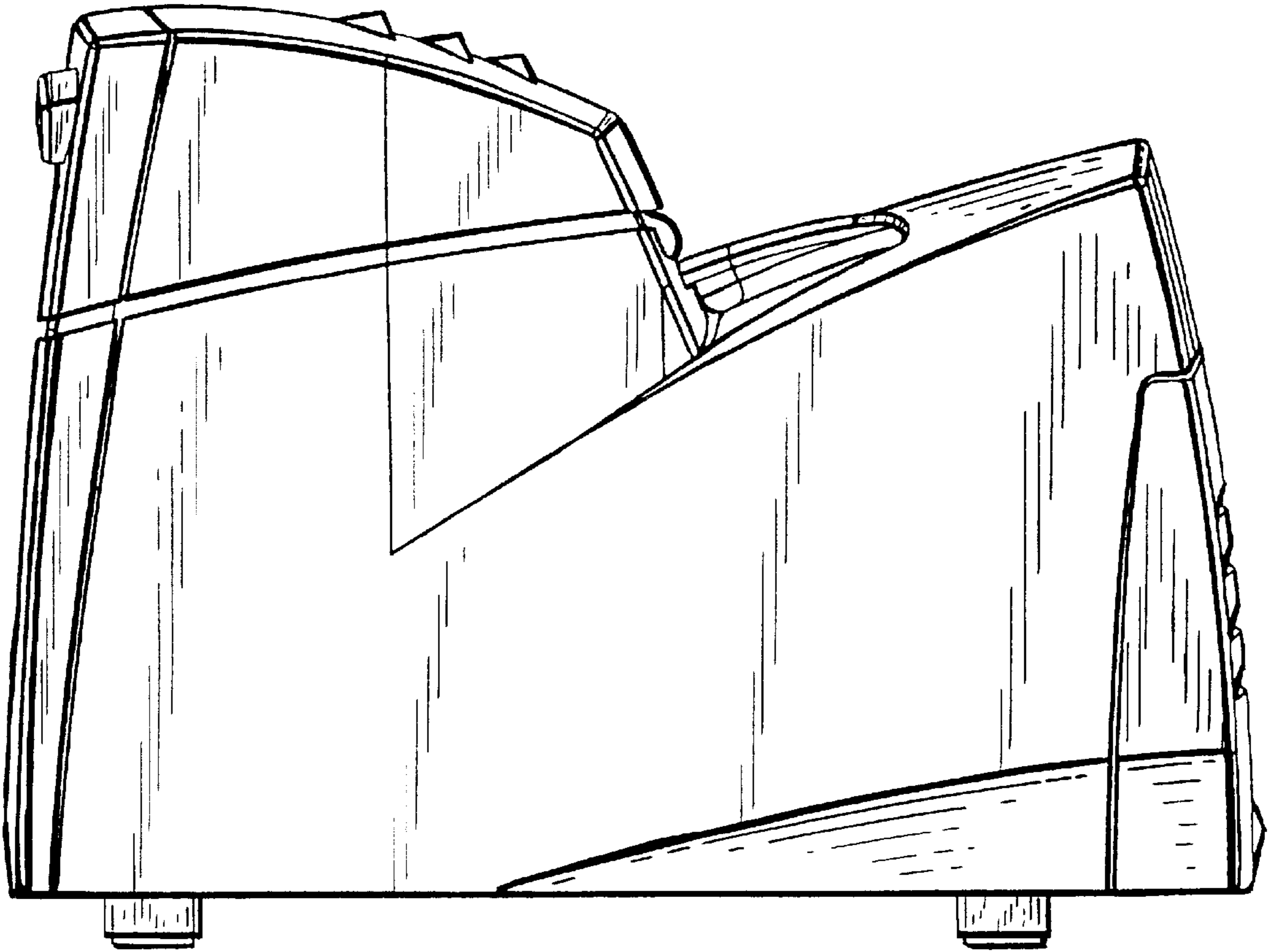


FIG. 4

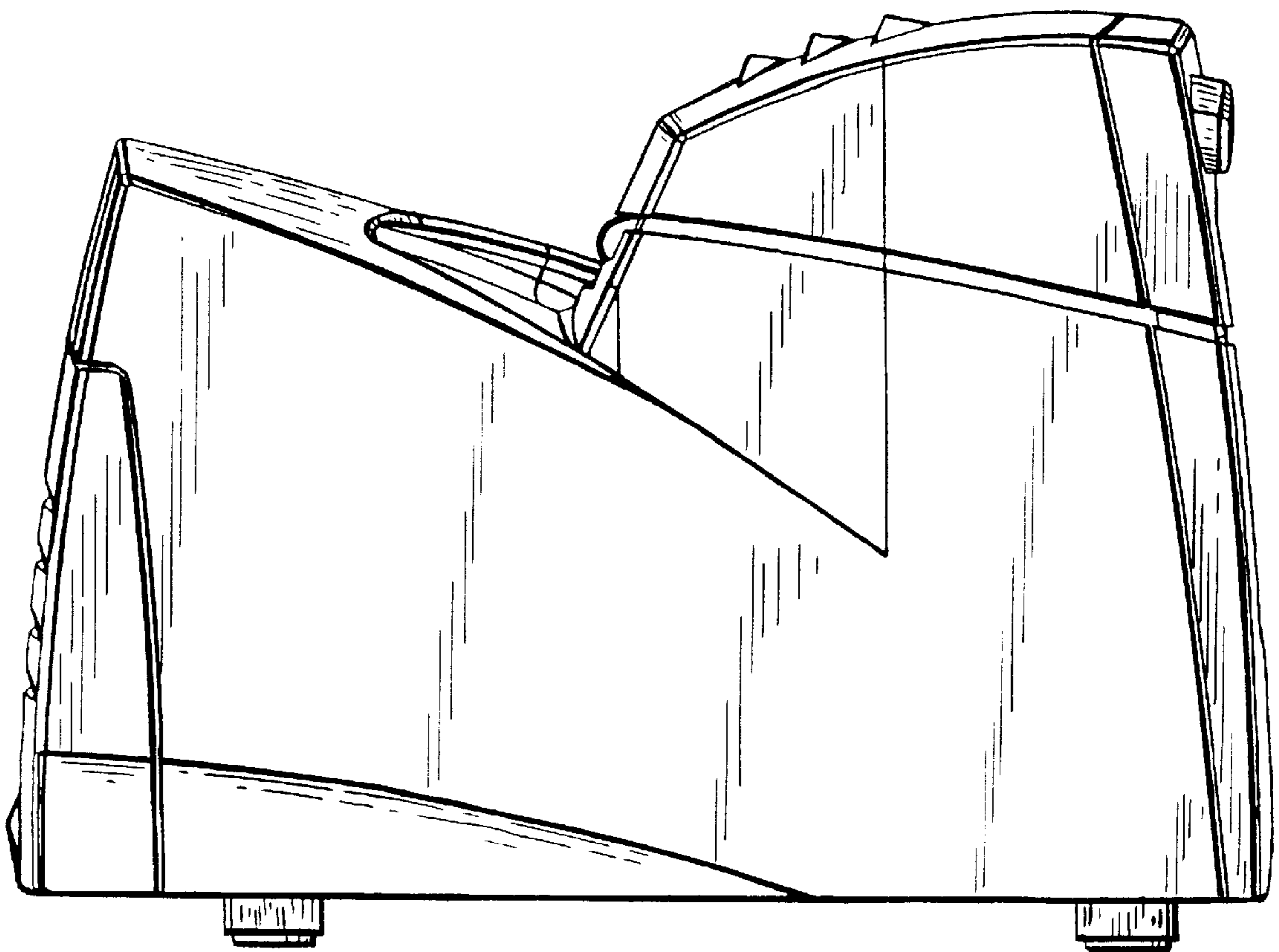


FIG. 5

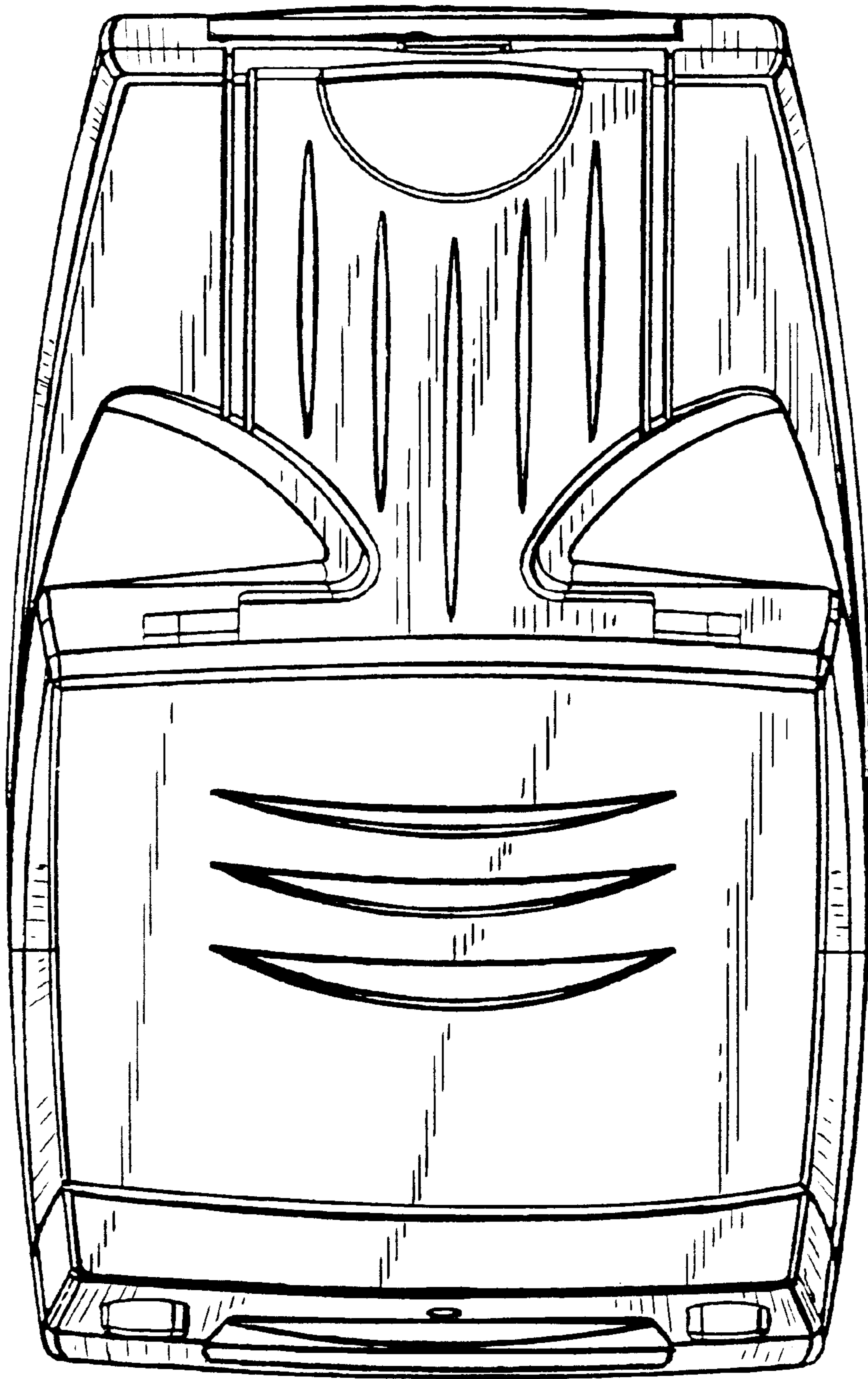


FIG. 6

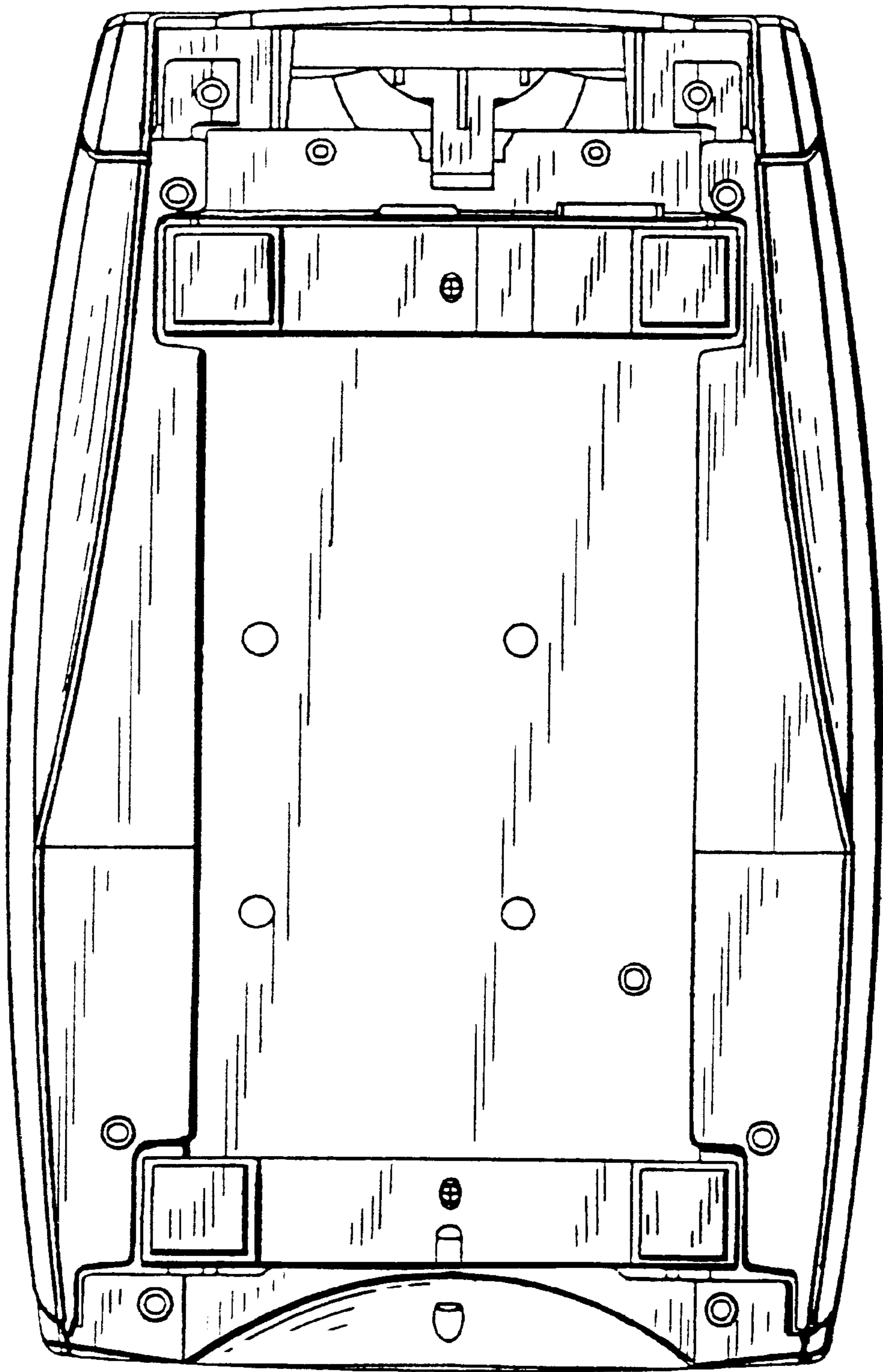


FIG. 7