



US00D441765S

(12) **United States Design Patent**
Gatto et al.

(10) **Patent No.:** **US D441,765 S**

(45) **Date of Patent:** **** May 8, 2001**

(54) **PERSONAL COMMUNICATOR AND SECURE ID DEVICE**

Primary Examiner—Prabhakar Deshmukh
(74) *Attorney, Agent, or Firm*—Young Law Firm, P.C.

(75) Inventors: **Jean-Marie Gatto**, London (GB);
Thierry Brunet de Courssou, Palo Alto, CA (US)

(57) **CLAIM**

The ornamental design for a personal communicator and secure ID device, as shown.

(73) Assignee: **Cyberscan Technology, Inc.**, Palo Alto, CA (US)

DESCRIPTION

(**) Term: **14 Years**

The present invention is related to the subject matter disclosed and/or claimed in commonly assigned copending U.S. provisional patent application Ser. No. 60/180,445 filed on Feb. 4, 2000, entitled "CYBOX System".

(21) Appl. No.: **29/119,553**

(22) Filed: **Mar. 2, 2000**

FIG. 1 is a top perspective view of a personal communicator and secure ID device showing our new design, according to the present invention.

(51) **LOC (7) Cl.** **14-01**

(52) **U.S. Cl.** **D14/496**

(58) **Field of Search** D14/496, 412-416, D14/167, 168, 356, 299; D21/324, 333; 455/73, 90, 95, 101, 128; 395/821; 463/25-29, 46, 47, 1; 345/902, 903, 961, 978

FIG. 2 is a left-hand side view of the personal communicator and secure ID device of FIG. 1;

FIG. 3 is a right-hand side view of the personal communicator and secure ID device of FIG. 1;

(56) **References Cited**

U.S. PATENT DOCUMENTS

D. 284,280	*	6/1986	Mack, Jr. et al.	D14/496
D. 331,054	*	11/1992	Brahler	D14/496
D. 406,832	*	3/1999	Anderson	D14/496
D. 416,587	*	11/1999	Hornsby et al.	D21/329
D. 428,018	*	7/2000	Amron	D14/496
5,630,170	*	5/1997	Koizumi et al.	463/36
5,661,632	*	8/1997	Register	345/905
5,973,799	*	10/1999	Gatto et al.	358/498

FIG. 4 is a rear side view of the personal communicator and secure ID device of FIG. 1;

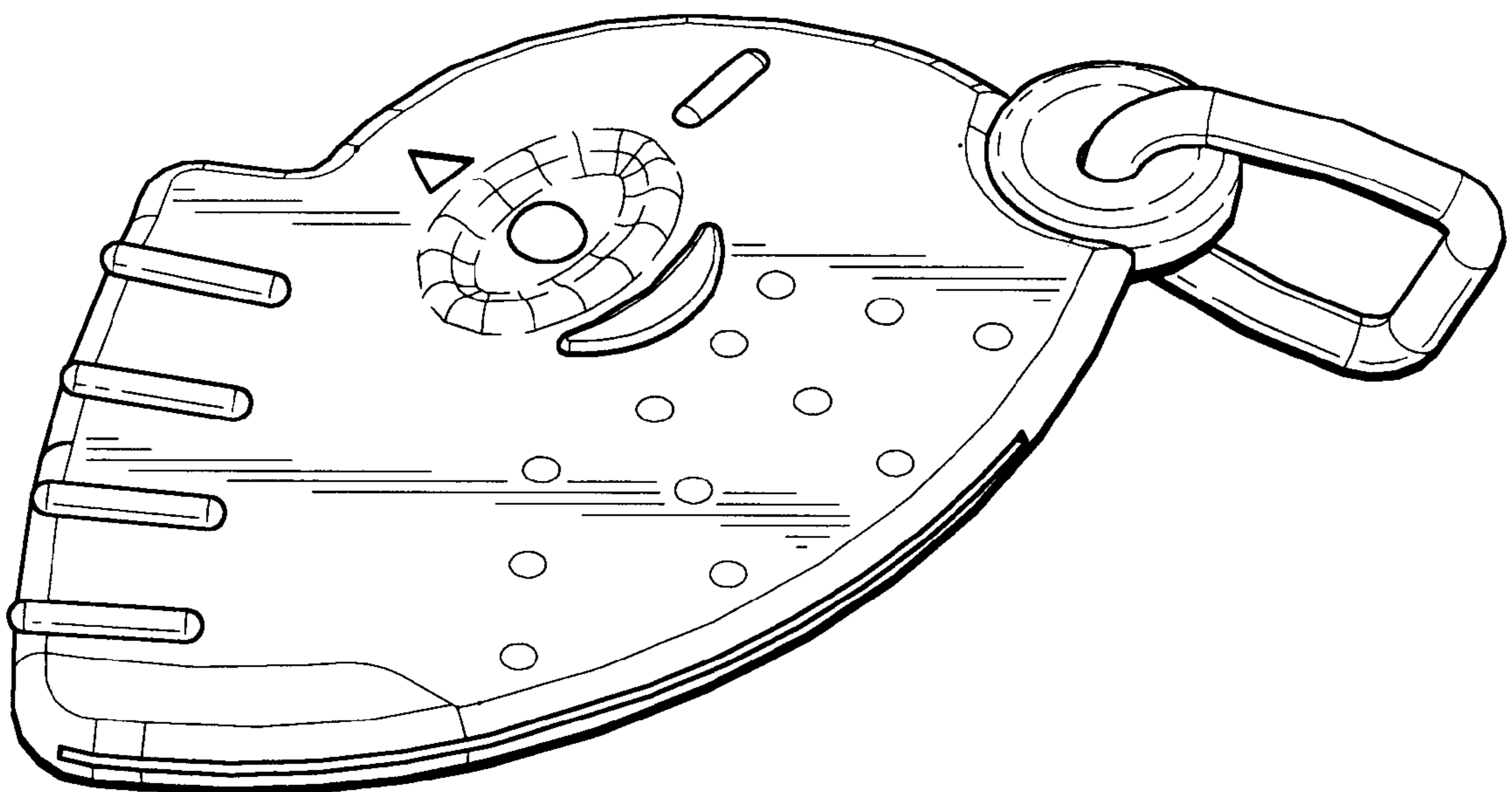
FIG. 5 is a front side view of the personal communicator and secure ID device of FIG. 1;

FIG. 6 is a top view of the personal communicator and secure ID device of FIG. 1; and,

FIG. 7 is a bottom view of the personal communicator and secure ID device of FIG. 1.

* cited by examiner

1 Claim, 2 Drawing Sheets



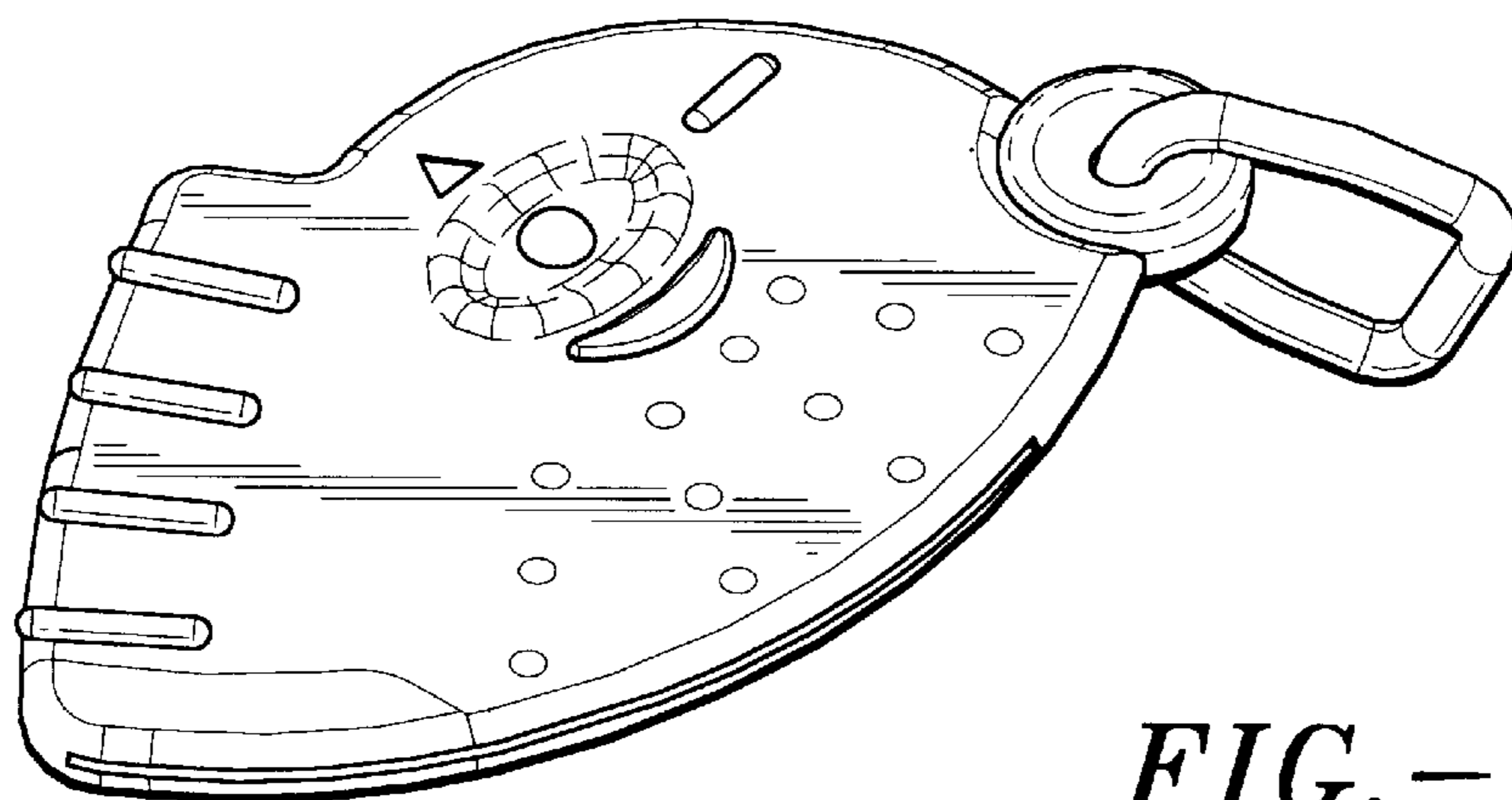


FIG. -1

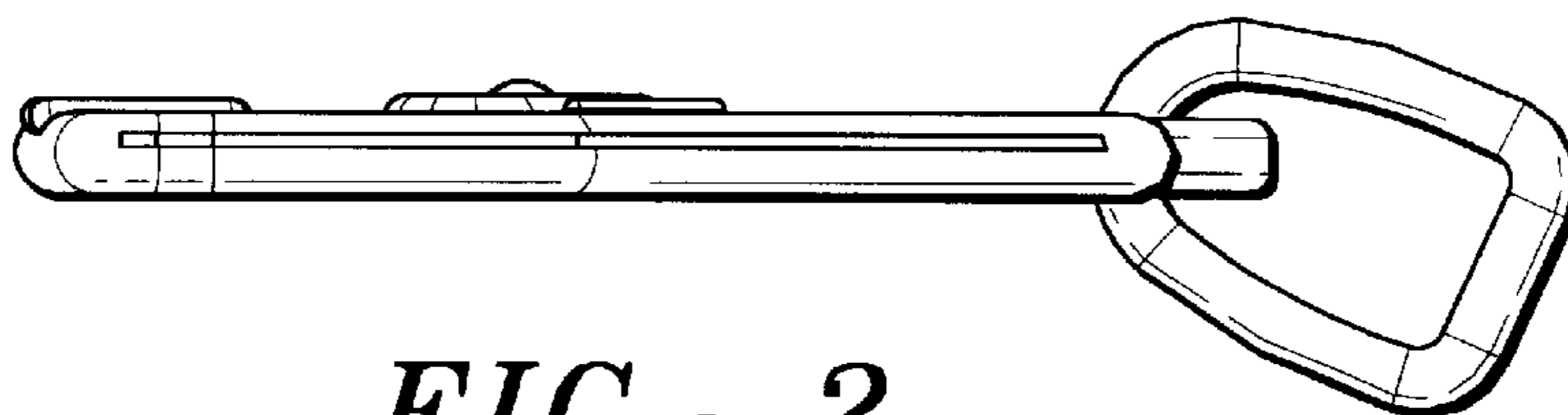


FIG. -2

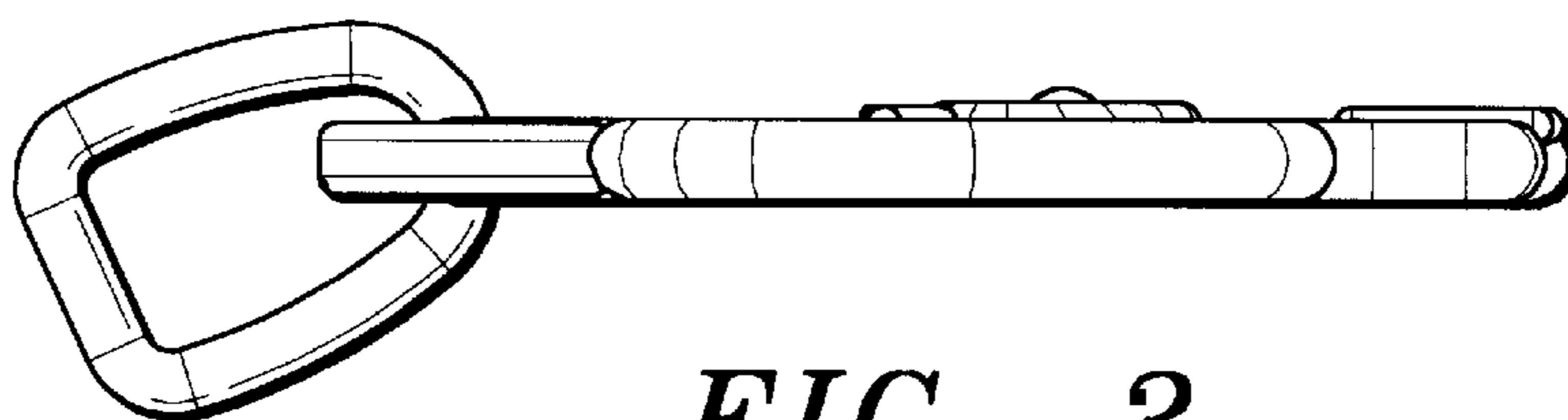


FIG. -3

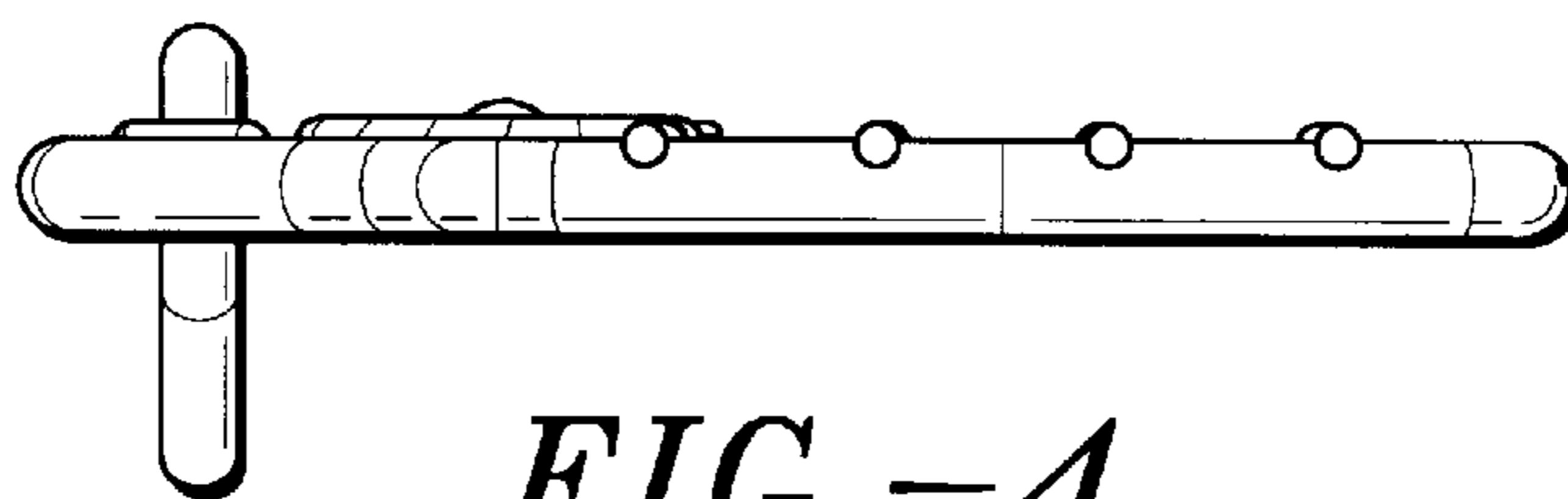


FIG. -4

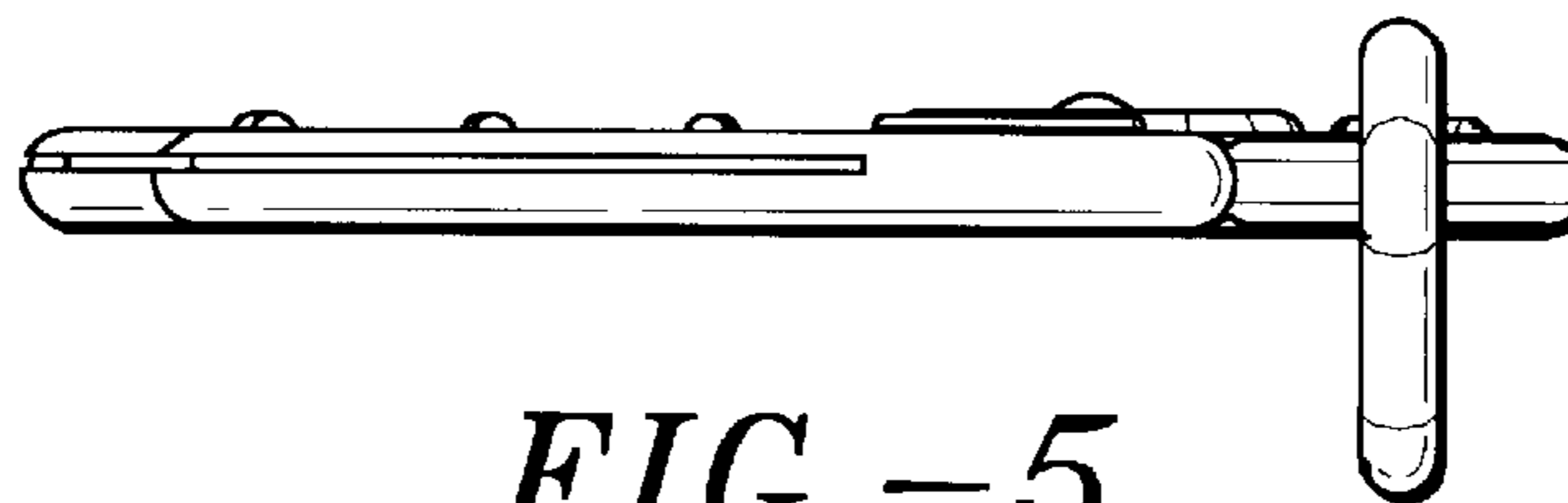


FIG. -5

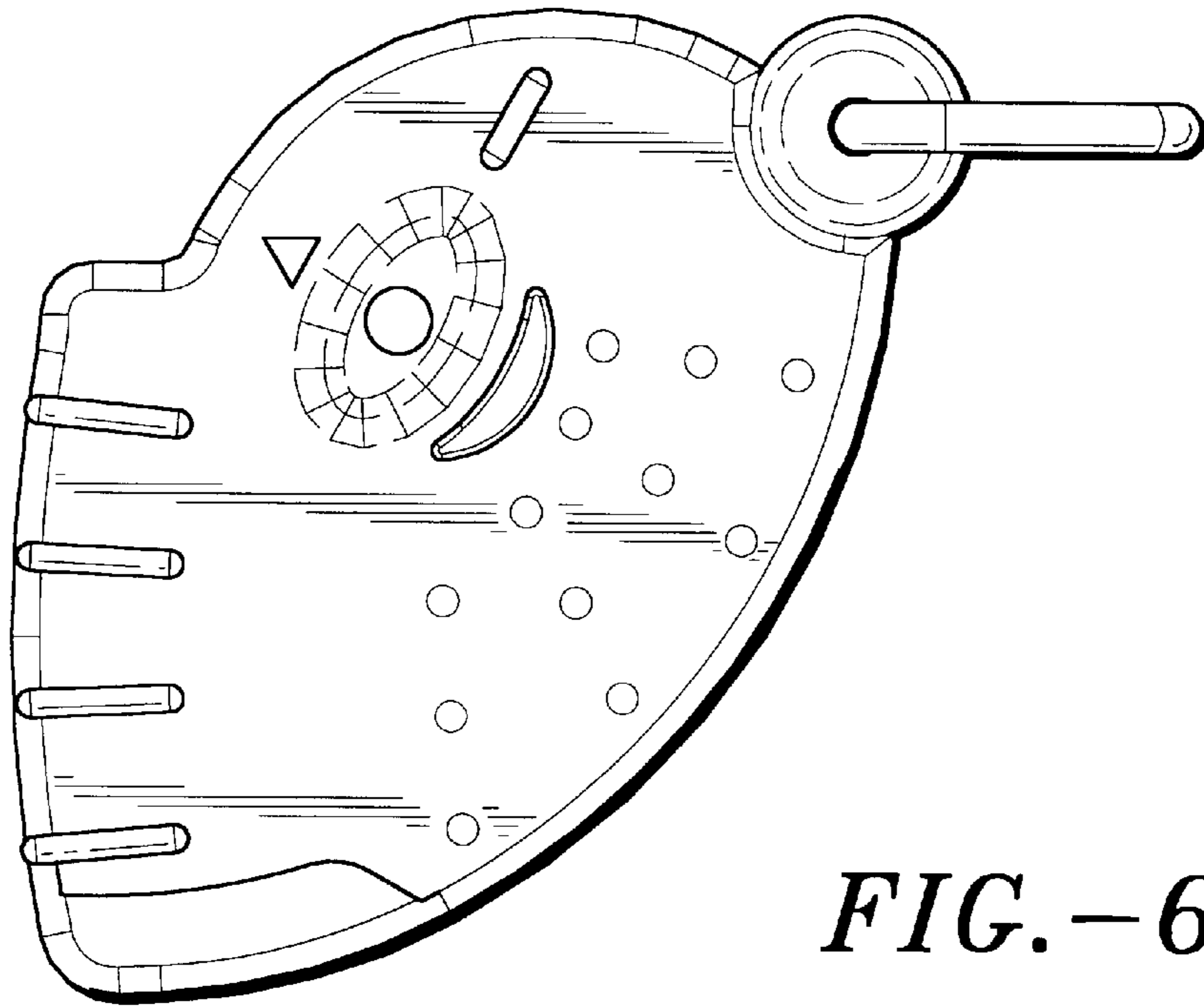


FIG. -6

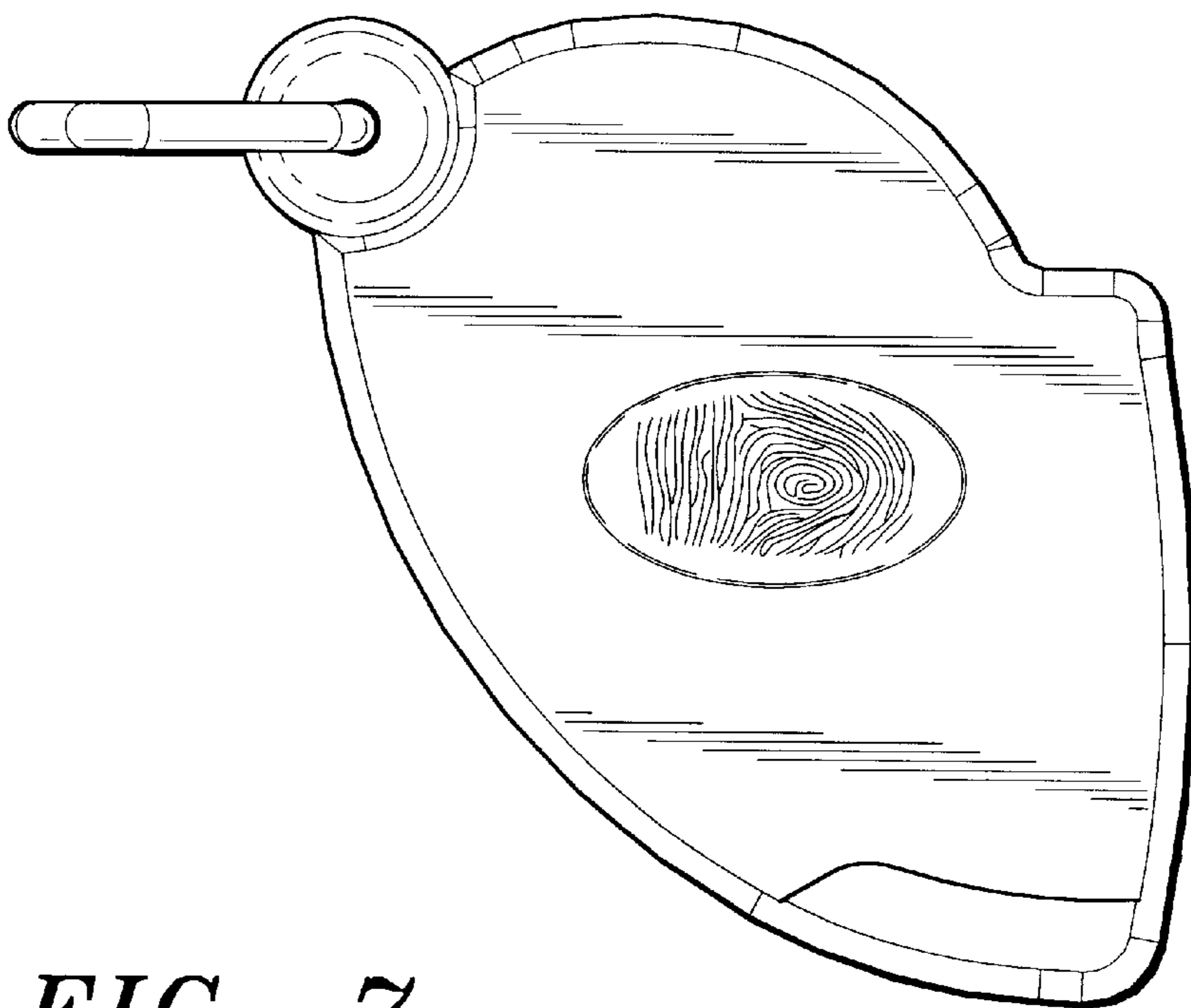


FIG. -7