



US00D441755S

(12) **United States Design Patent**
Lin et al.

(10) **Patent No.:** **US D441,755 S**

(45) **Date of Patent:** **** May 8, 2001**

(54) **SCANNER**

D. 365,807 * 1/1996 Chen D14/425
D. 377,168 * 1/1997 Chen et al. D14/425

(75) Inventors: **Hui-Yi Lin**, Taipei; **Kris Verstockt**,
Taipei Hsien, both of (TW)

* cited by examiner

(73) Assignee: **Primax Electronics Ltd.**, Taipei (TW)

Primary Examiner—Freda Nunn

(74) *Attorney, Agent, or Firm*—Winston Hsu

(**) Term: **14 Years**

(57) **CLAIM**

(21) Appl. No.: **29/125,733**

The ornamental design for a scanner, as shown and described.

(22) Filed: **Jun. 29, 2000**

DESCRIPTION

(51) **LOC (7) Cl.** **14-02**

(52) **U.S. Cl.** **D14/425**

(58) **Field of Search** D14/421-425;
D18/36, 37, 39; 250/556; 235/441, 454,
470, 476, 482, 483

FIG. 1 is a front elevational view of a scanner showing our new design;

FIG. 2 is a rear elevational view thereof;

FIG. 3 is a left side elevational view thereof;

FIG. 4 is a right side elevational view thereof;

FIG. 5 is a top plan view thereof;

FIG. 6 is a bottom plan view thereof;

FIG. 7 is a perspective view thereof; and,

FIG. 8 is a perspective view thereof when opening its cover.

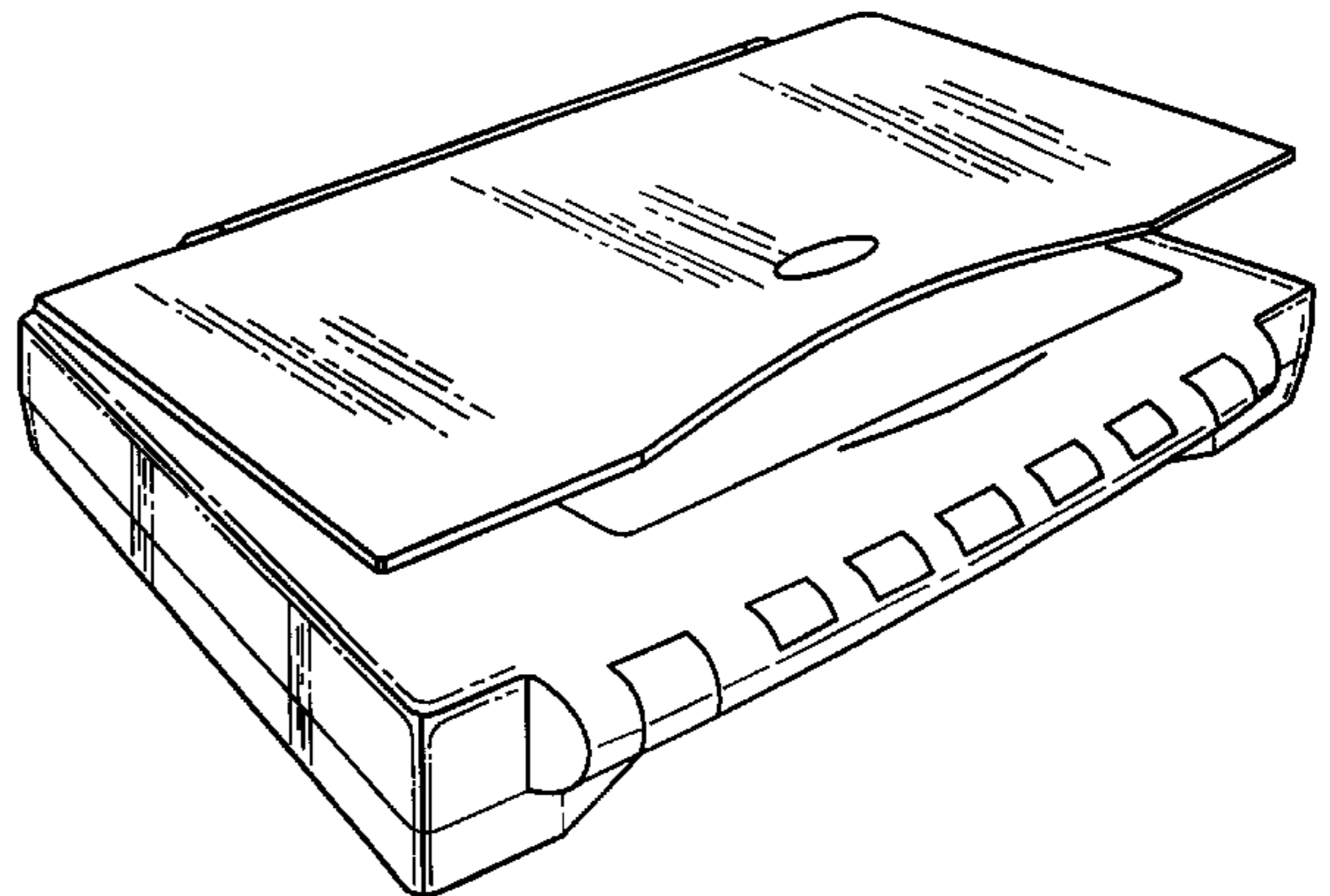
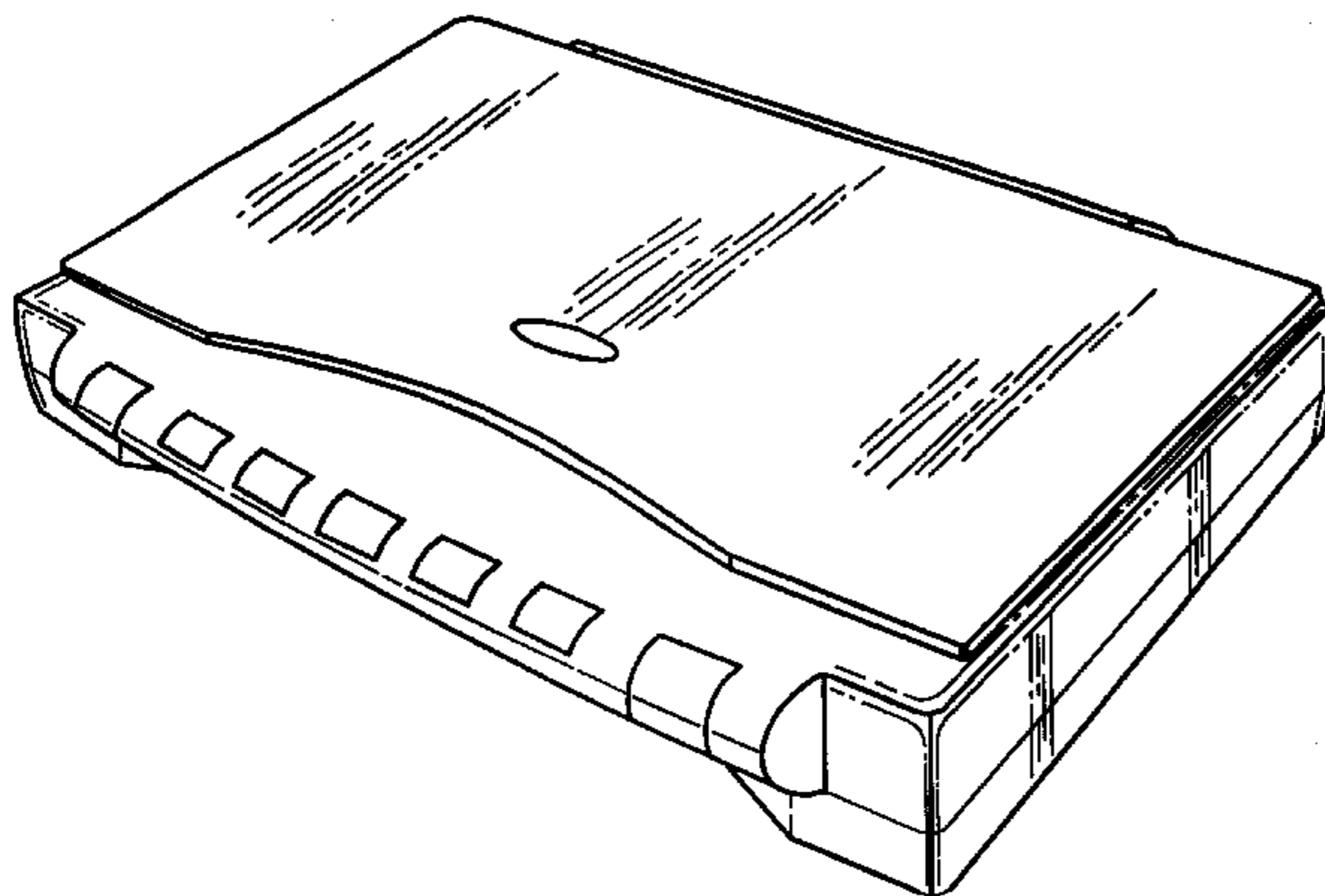
(56) **References Cited**

U.S. PATENT DOCUMENTS

D. 284,475 * 7/1986 Manabe D14/425

D. 357,907 * 5/1995 Kosako et al. D14/425

1 Claim, 4 Drawing Sheets



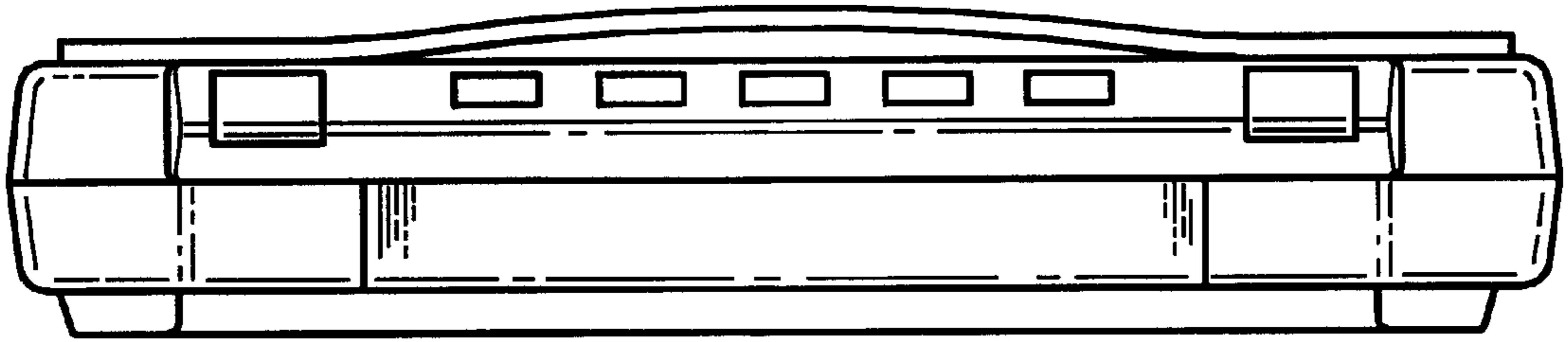


Fig. 1

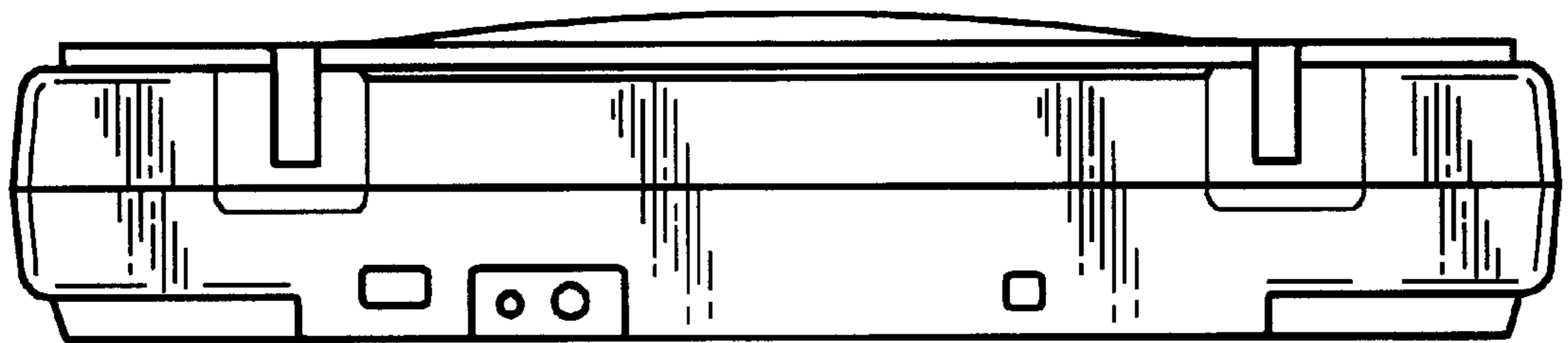


Fig. 2

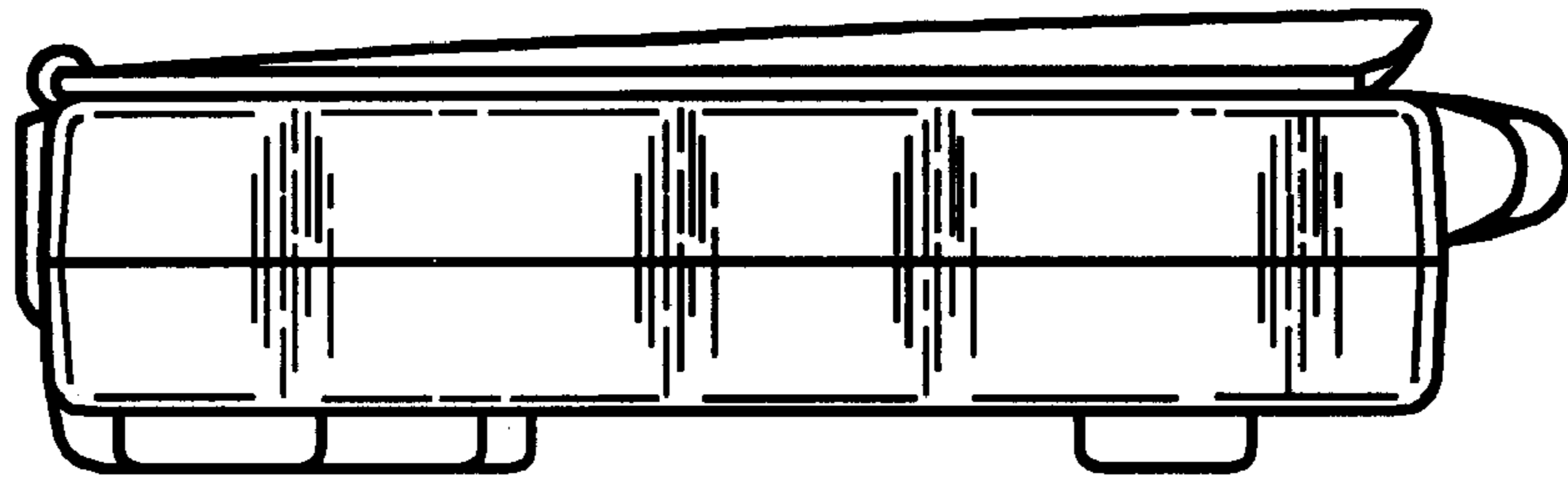


Fig. 3

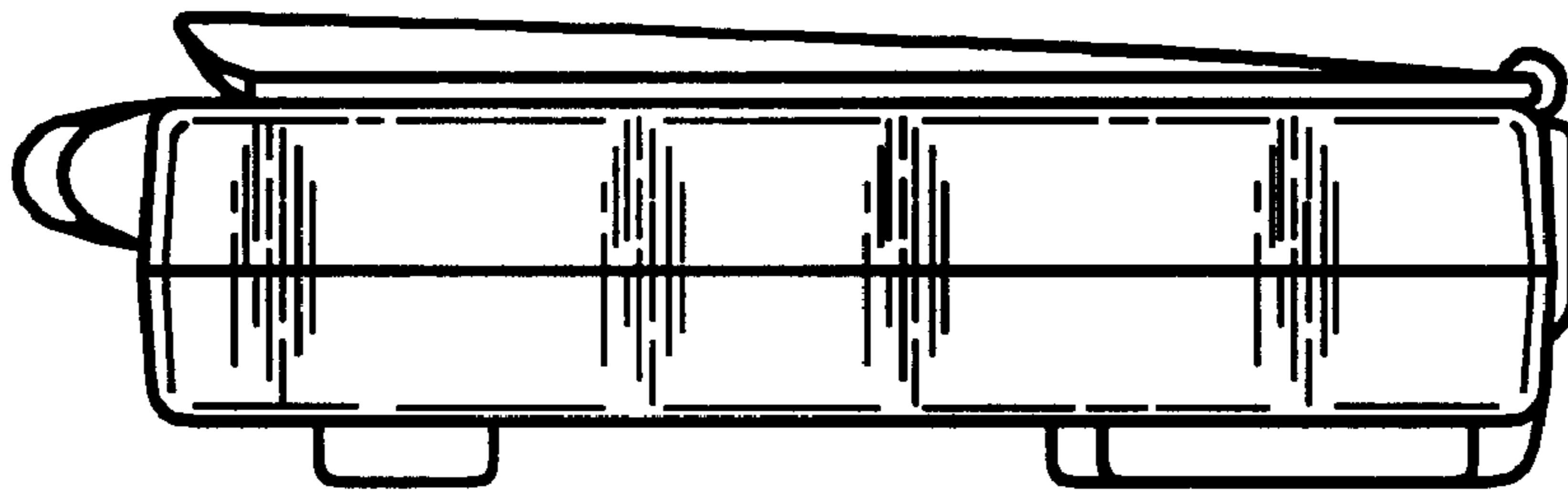


Fig. 4

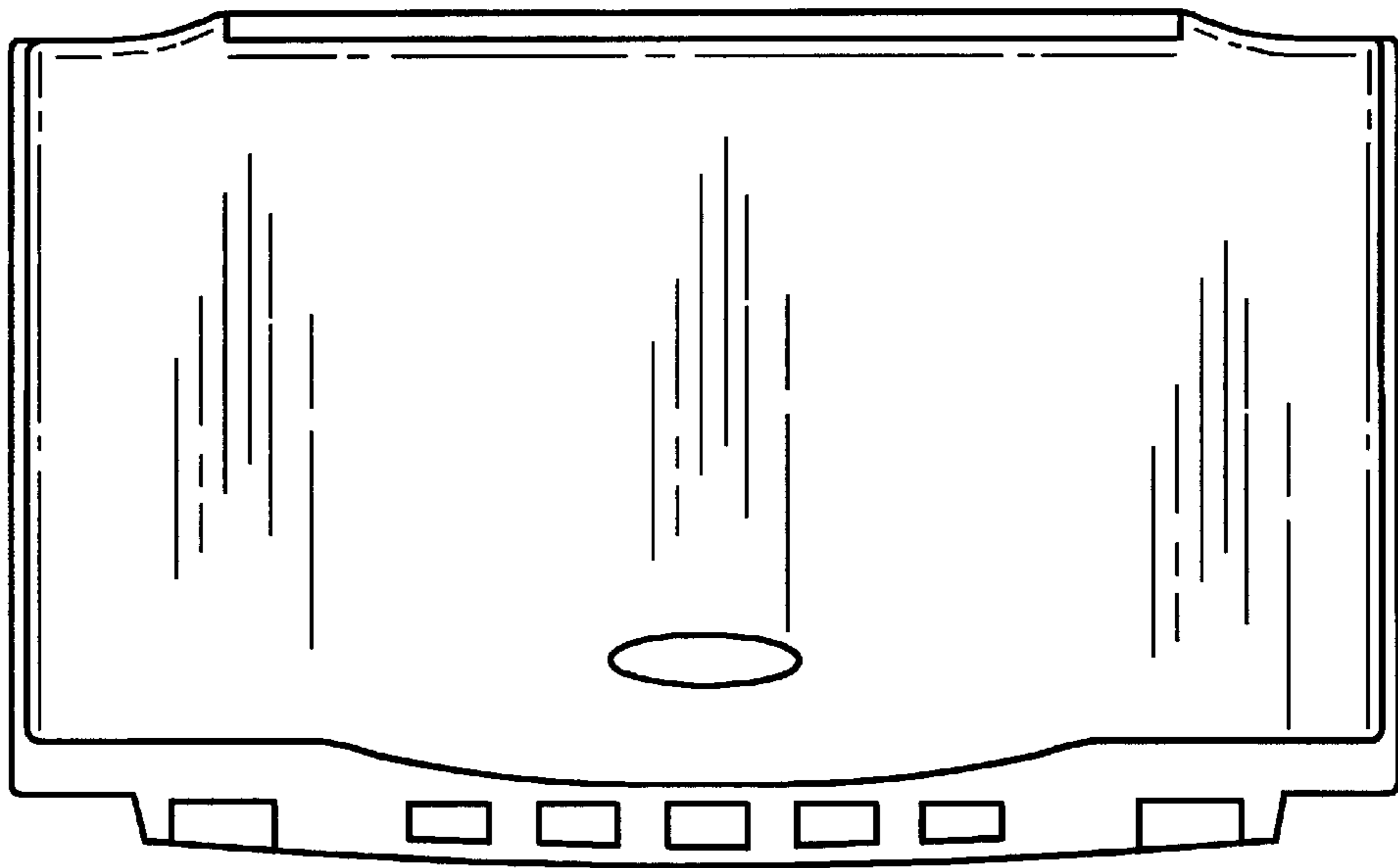


Fig. 5

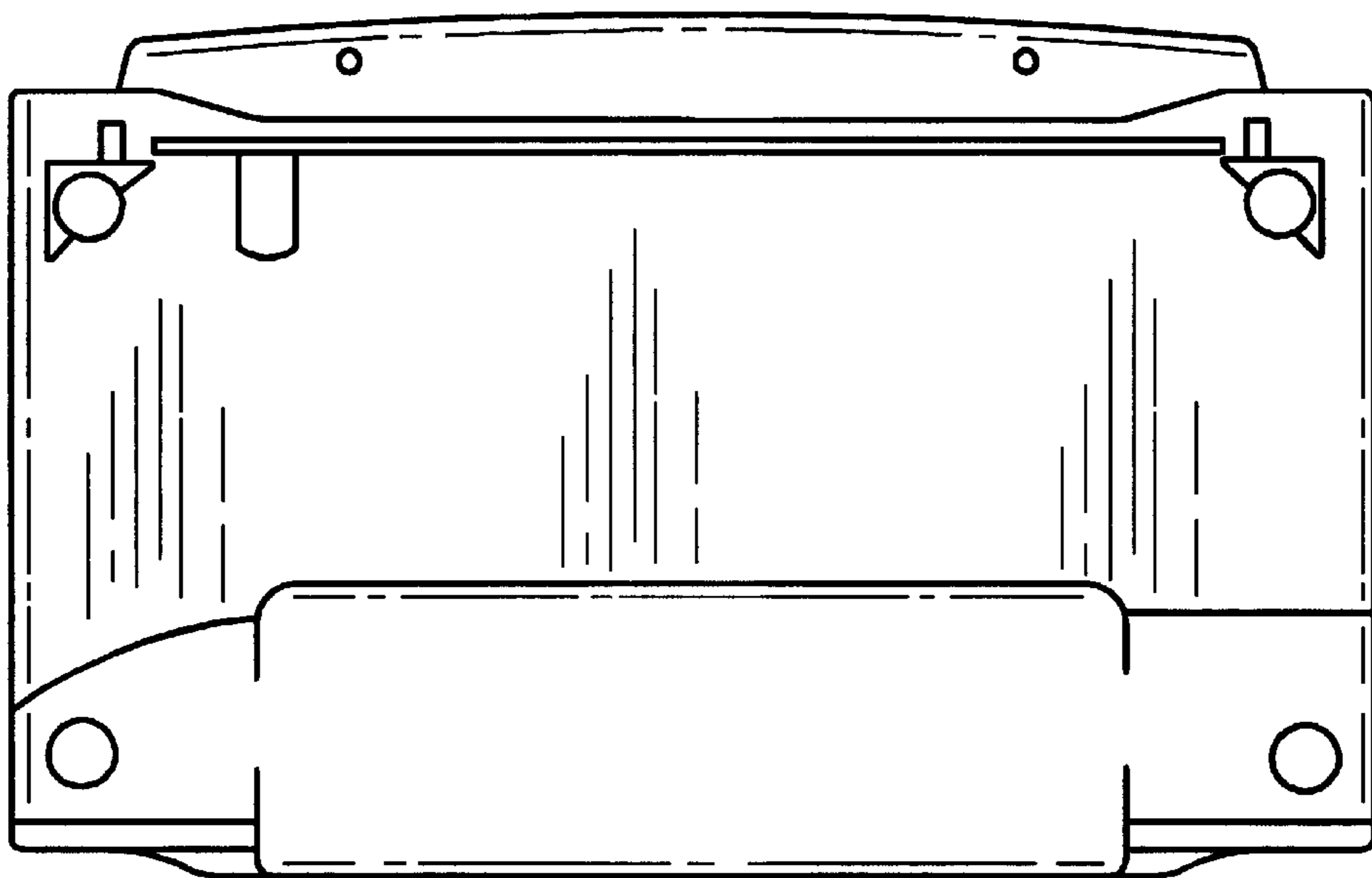


Fig. 6

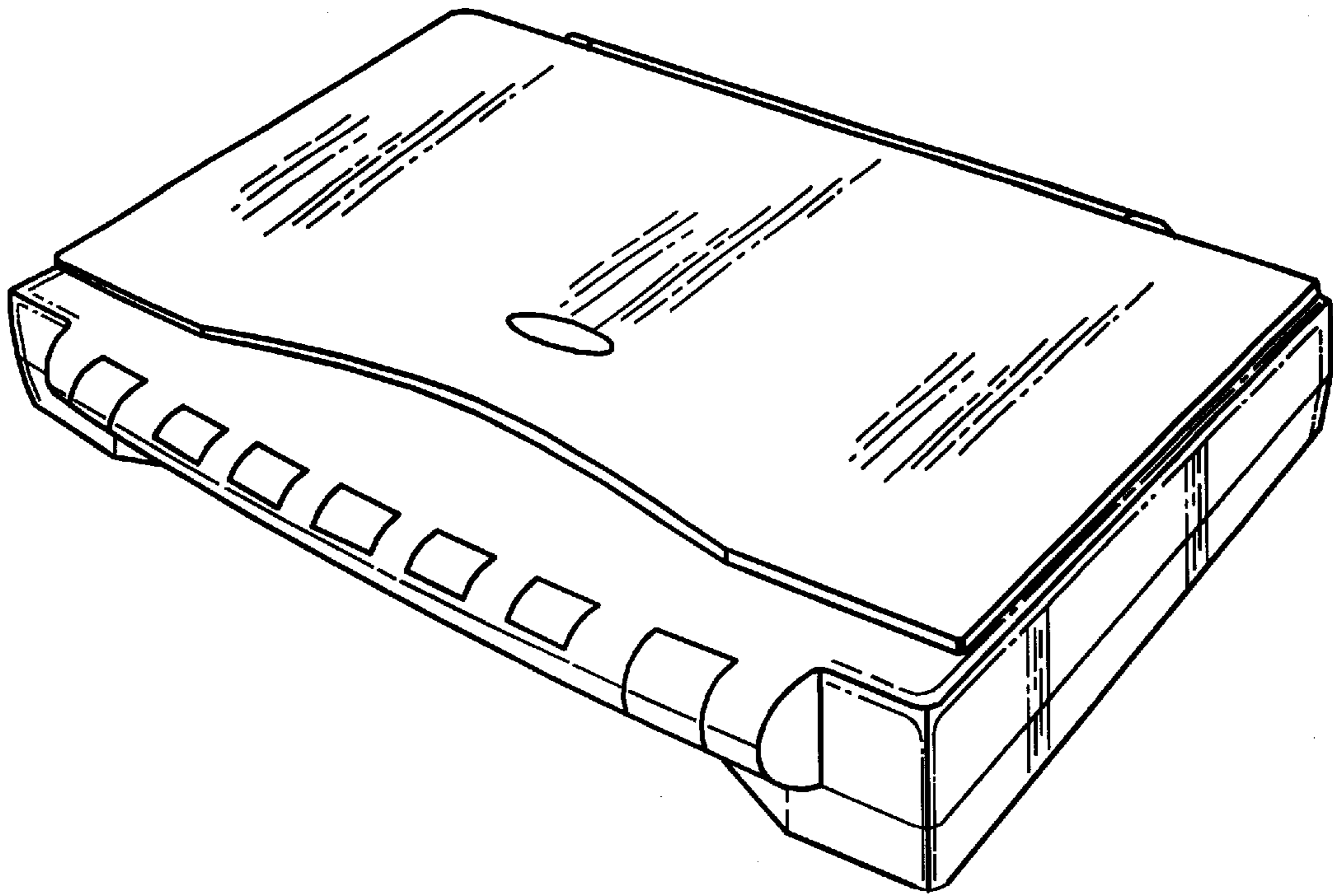


Fig. 7

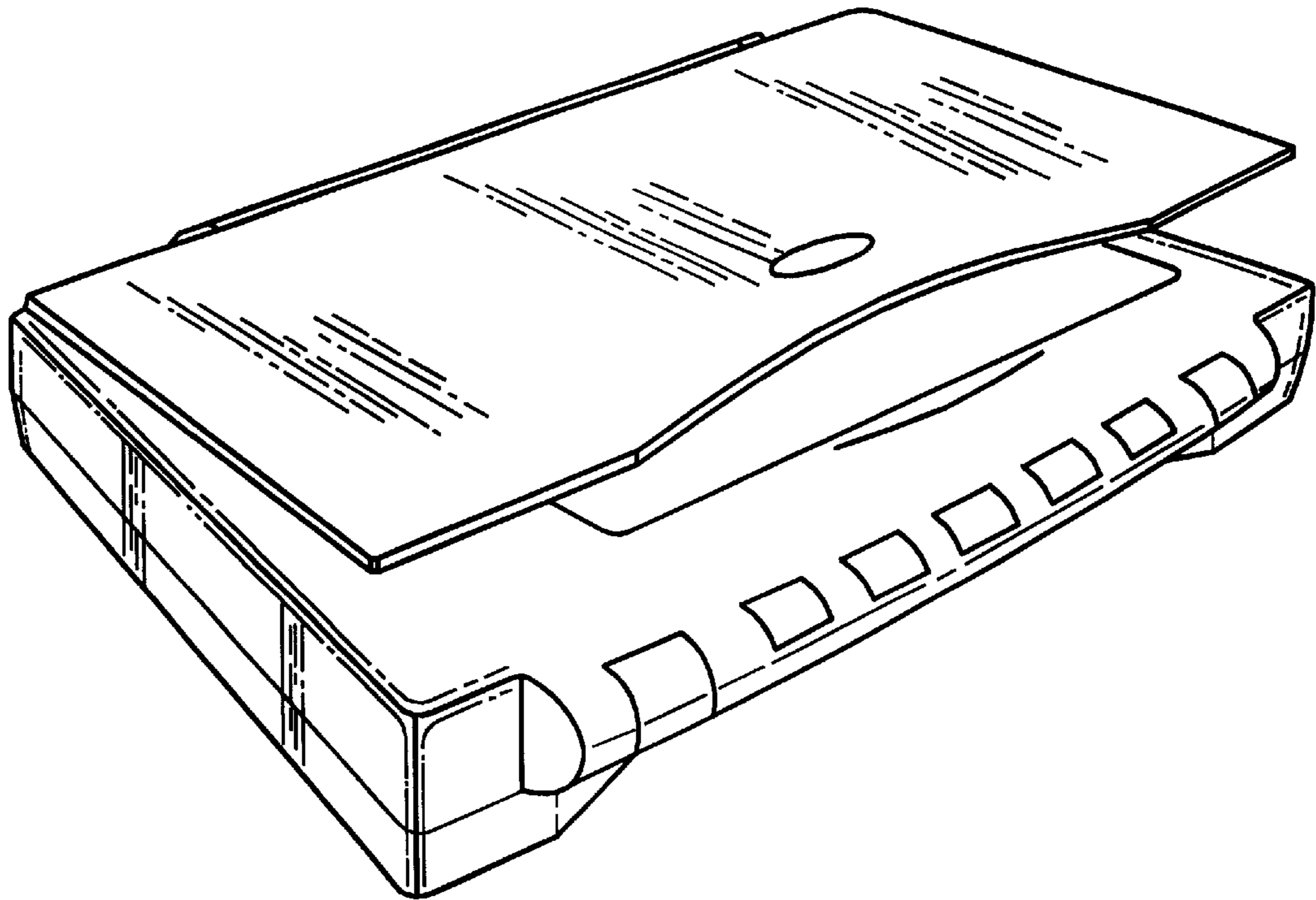


Fig. 8