



US00D441751S

(12) **United States Design Patent**
Heard et al.

(10) **Patent No.:** **US D441,751 S**

(45) **Date of Patent:** **** May 8, 2001**

(54) **COMPUTER MOUSE WITH STEP VAN SHAPE**

D. 404,027 * 1/1999 Bush D14/403
5,692,956 * 12/1997 Rifkin 463/37

(76) Inventors: **Dennis D. Heard**, 4509 2nd Ave. So.,
Mpls., MN (US) 55409; **Dana P. Hervig**, 1450 102nd St. E., Inver Grove
Heights, MN (US) 55077

* cited by examiner

Primary Examiner—Kay H. Chin

(**) Term: **14 Years**

(57) **CLAIM**

The ornamental design for a computer mouse with step van shape, as shown.

(21) Appl. No.: **29/126,729**

(22) Filed: **Jul. 21, 2000**

DESCRIPTION

(51) **LOC (7) Cl.** **14-02**

(52) **U.S. Cl.** **D14/403; D12/96**

(58) **Field of Search** D14/402-410,
D14/417, 432; 200/5 R, 5 A, 6 R, 6 A;
273/148 B; 345/156-167; 74/471 XY; 463/36,
37, 38; D21/533, 548, 552; D12/82, 93,
94, 96, 97, 101

FIG. 1 is a front perspective view of a computer mouse with van shape showing our new design;

FIG. 2 is a left side elevational view thereof;

FIG. 3 is a right side elevational view thereof;

FIG. 4 is a rear elevational view thereof;

FIG. 5 is a front elevational view thereof;

FIG. 6 is a top plan view thereof; and,

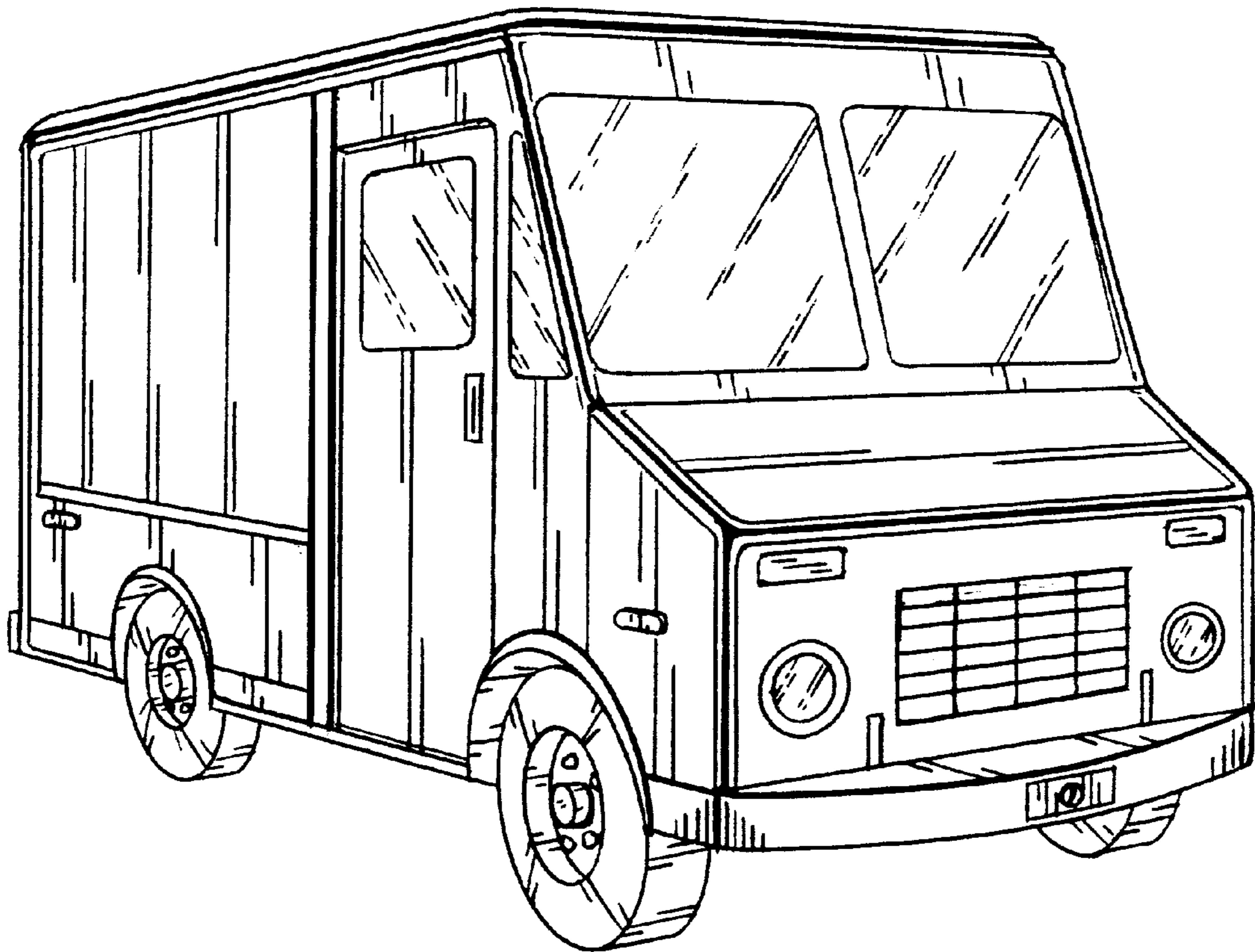
FIG. 7 is a bottom plan view thereof.

(56) **References Cited**

U.S. PATENT DOCUMENTS

D. 316,986 * 5/1991 Hackett et al. D12/96

1 Claim, 6 Drawing Sheets



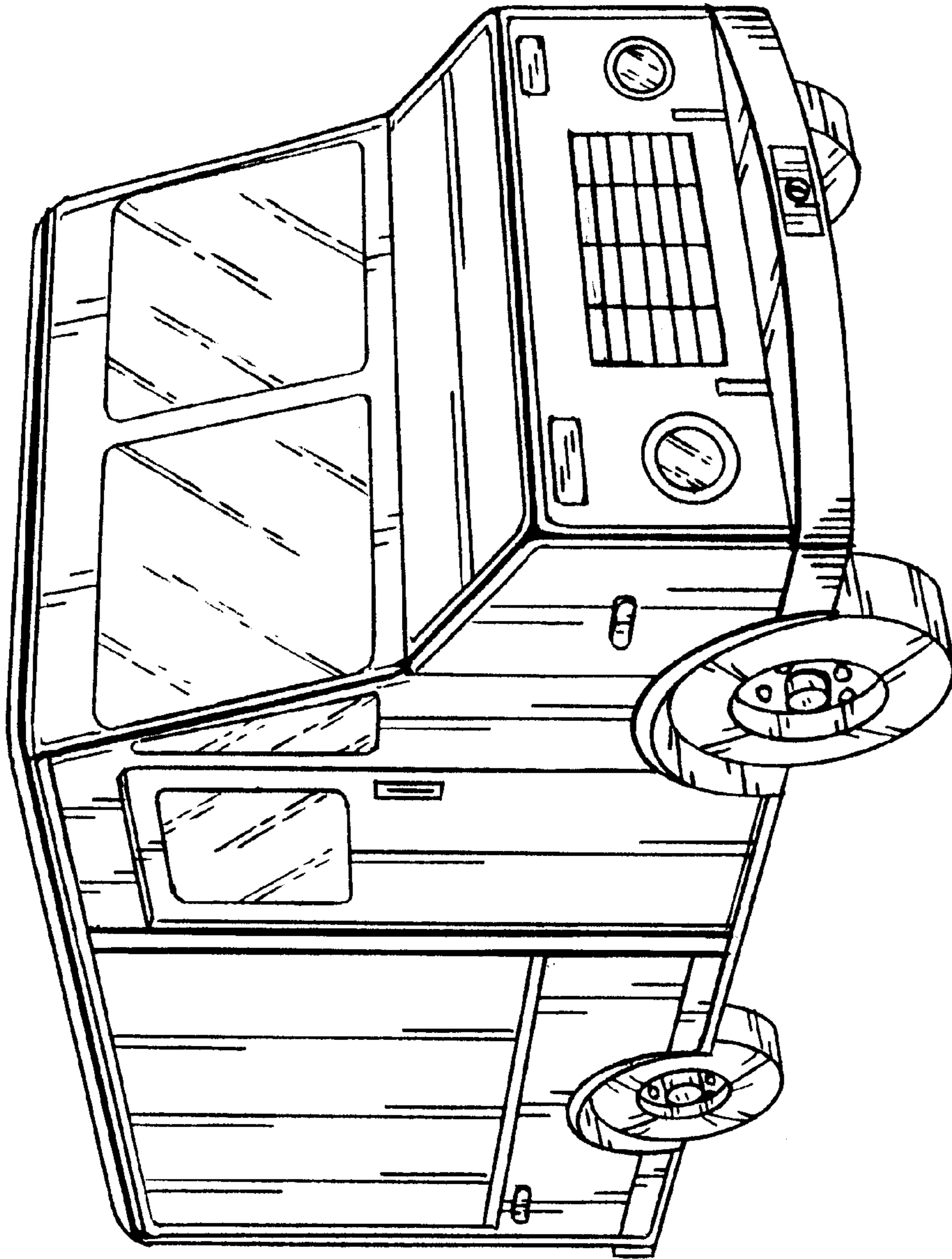


FIG.1

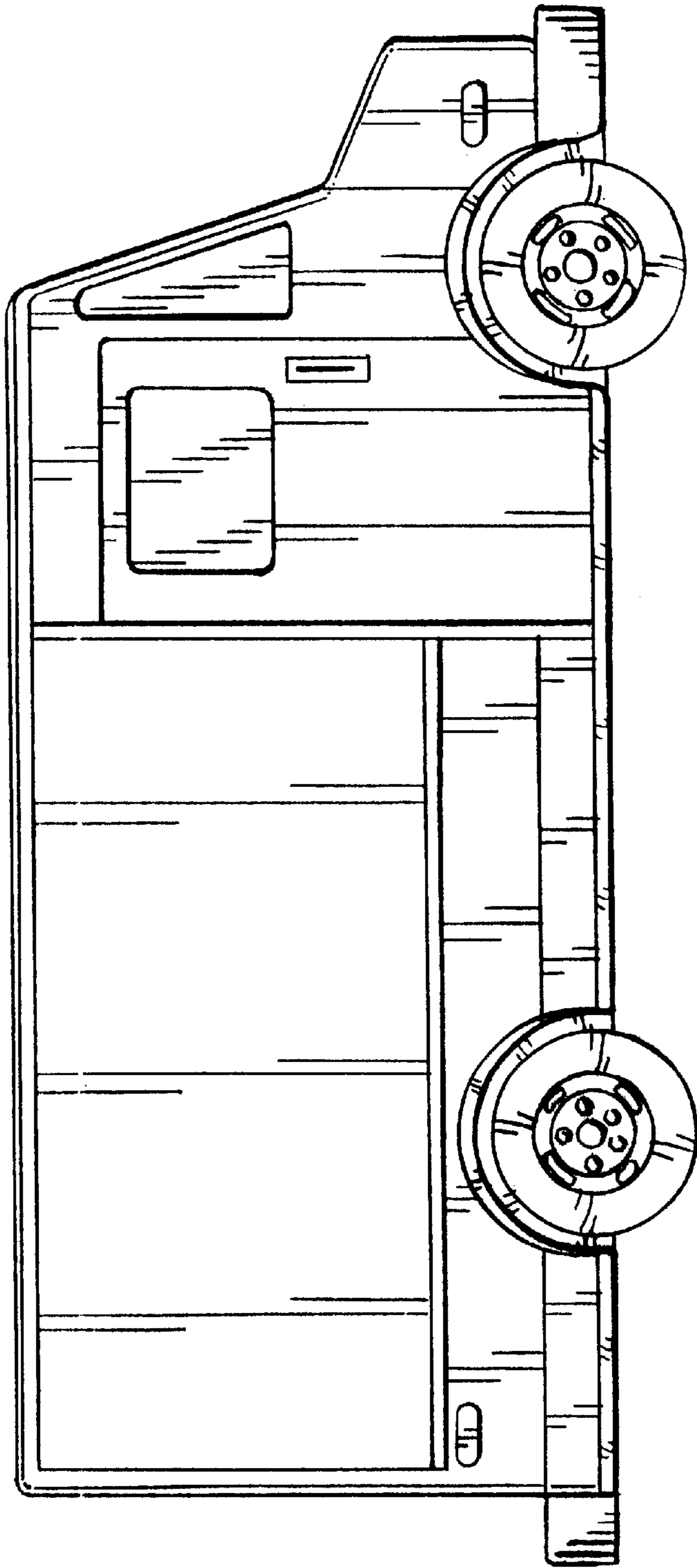


FIG. 2

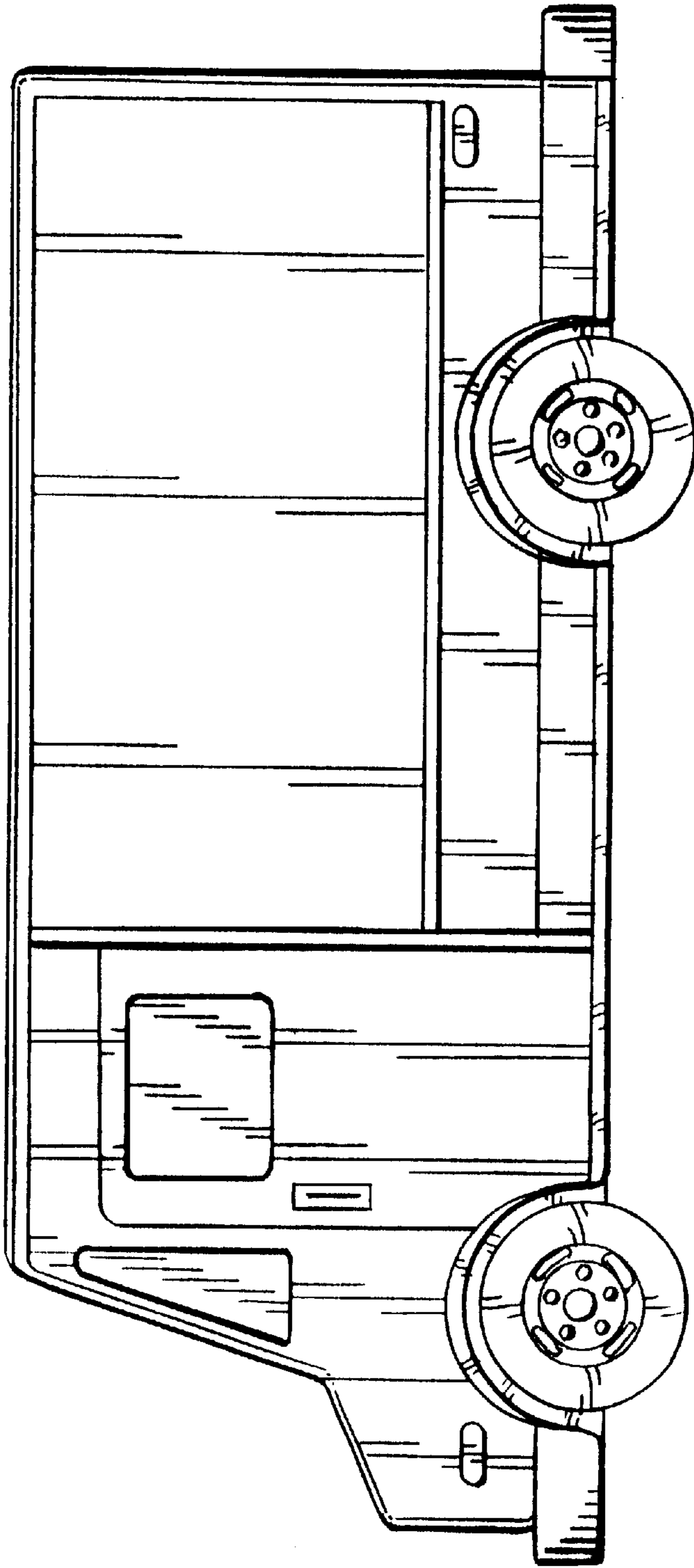


FIG.3

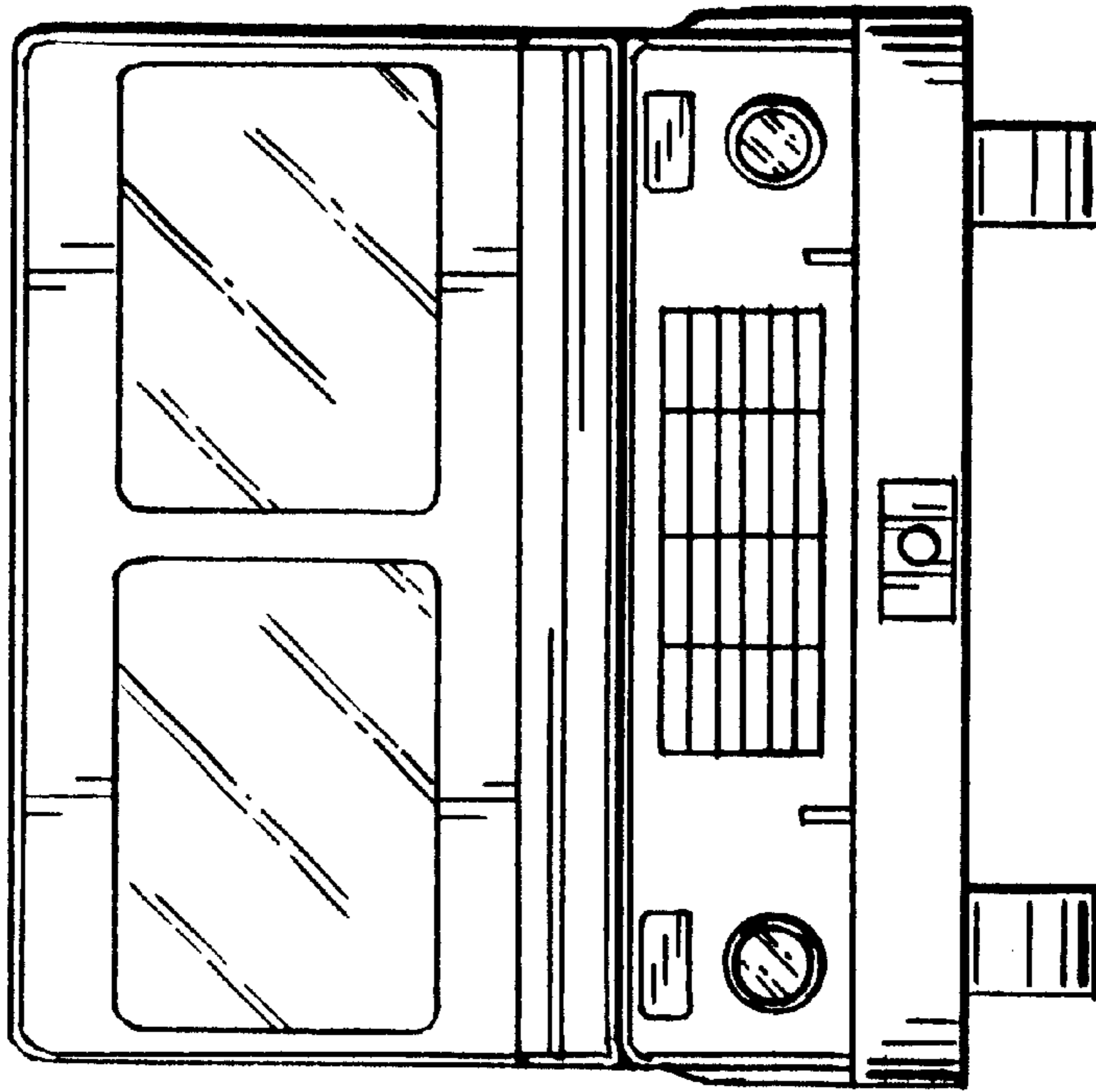


FIG. 5

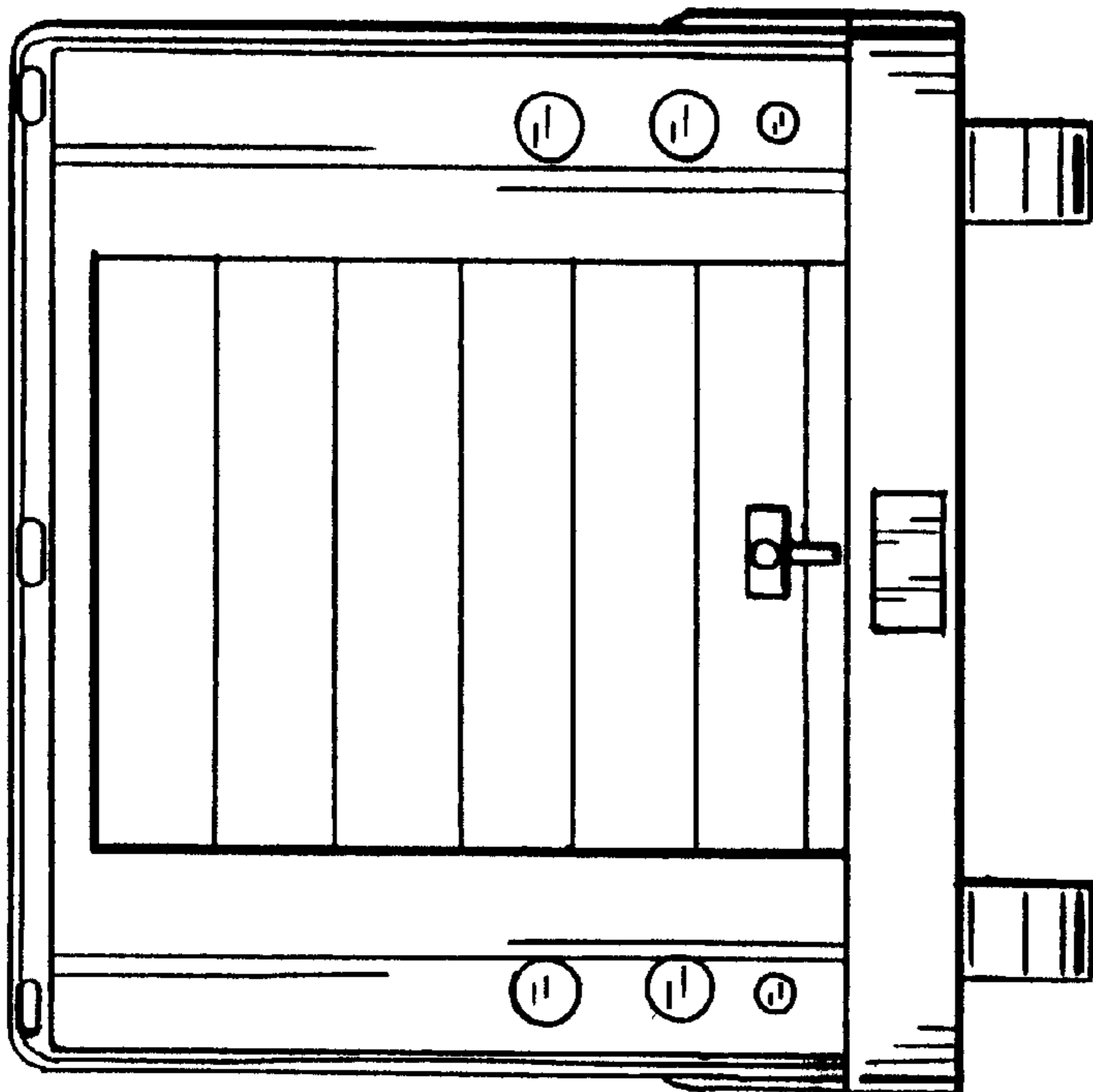


FIG. 4

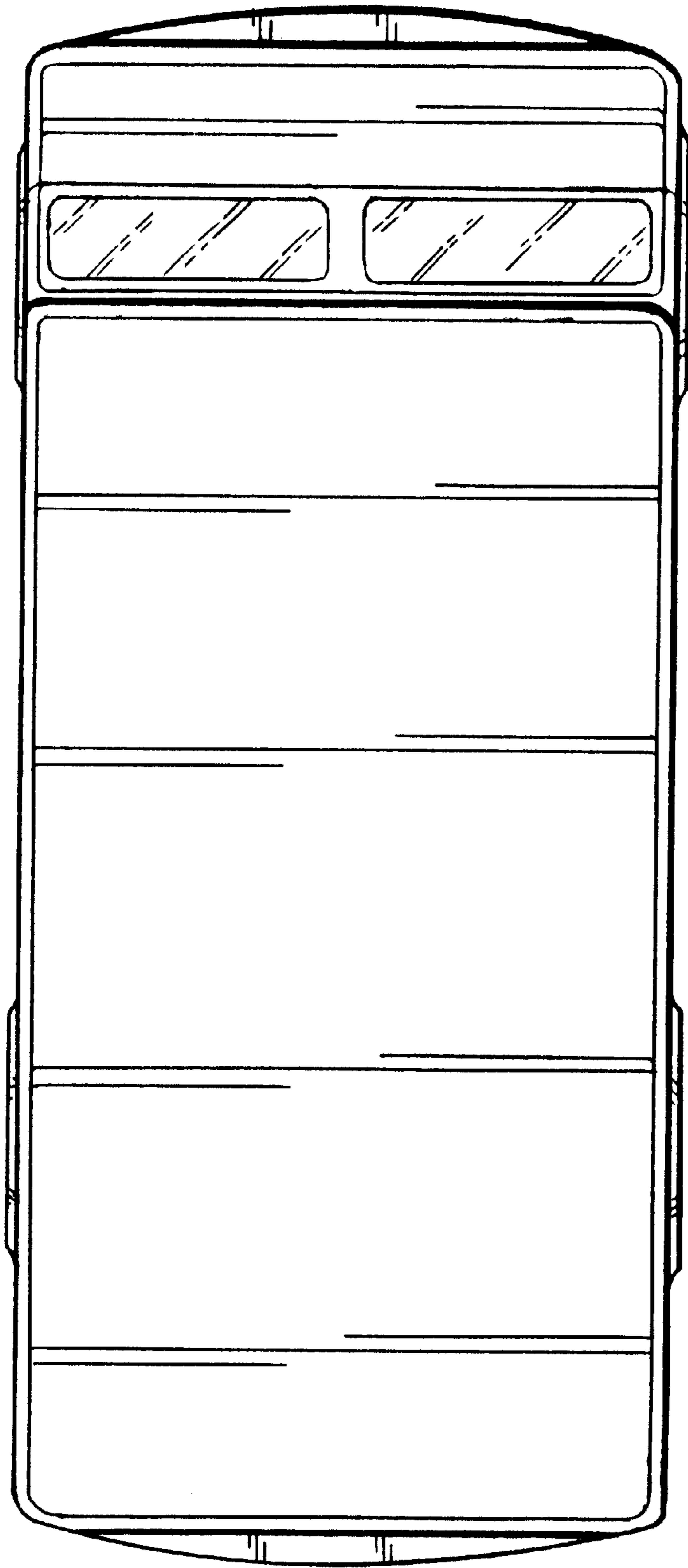


FIG. 6

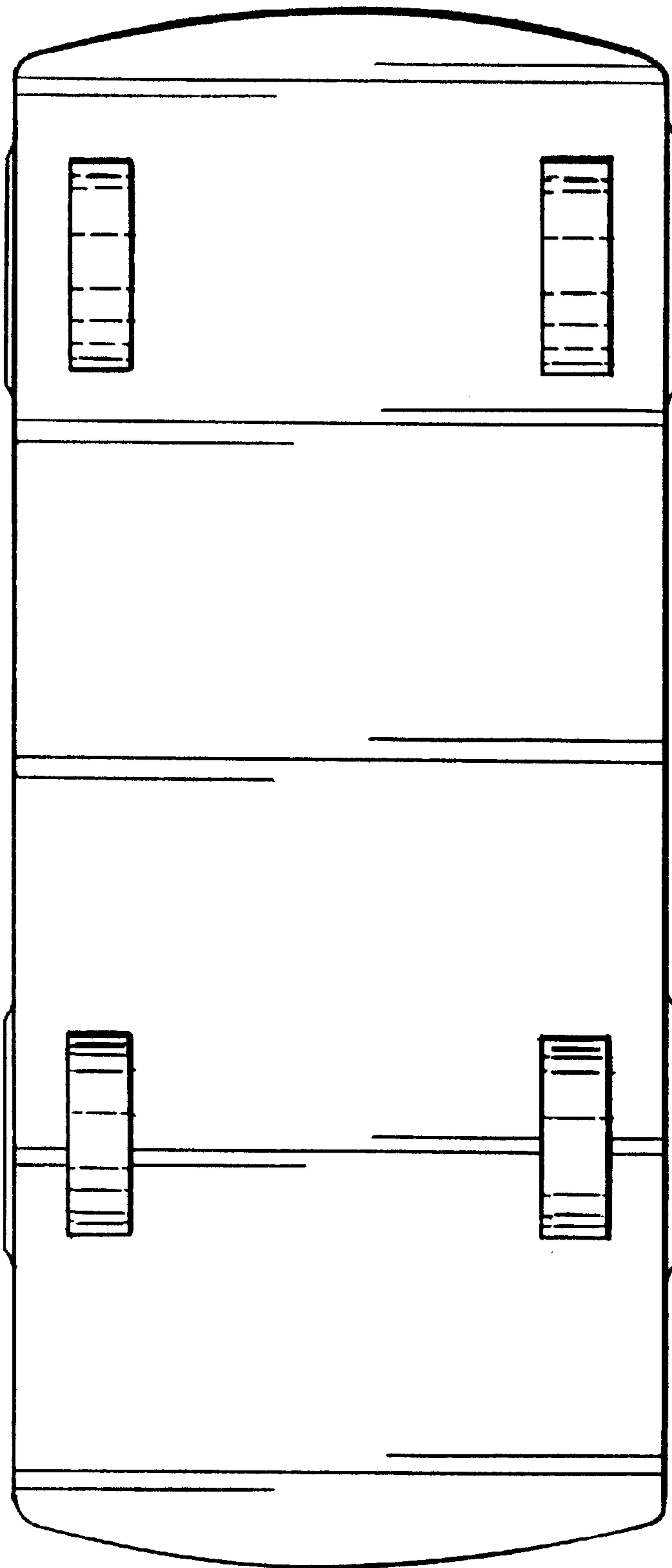


FIG. 7