



US00D441748S

(12) **United States Design Patent**
Swansey et al.

(10) **Patent No.:** **US D441,748 S**

(45) **Date of Patent:** **** May 8, 2001**

(54) **SPACE-SAVING COMPUTER KEYBOARD LAYOUT**

(75) Inventors: **John David Swansey**, Durham;
Antonio Thymie Latto, Raleigh, both
of NC (US)

(73) Assignee: **International Business Machine Corporation**, Armonk, NY (US)

(**) Term: **14 Years**

(21) Appl. No.: **29/127,639**

(22) Filed: **May 19, 2000**

(51) **LOC (7) Cl.** **14-02**

(52) **U.S. Cl.** **D14/396**

(58) **Field of Search** D14/396-398,
D14/391-394; D18/1, 2, 7; 178/17 A, 17 C;
200/5 A, 5 R, 6 A, 6 R; 235/145 A, 145 R;
341/22, 23; 345/160, 167, 168; 400/484-486

(56) **References Cited**

U.S. PATENT DOCUMENTS

- D. 325,199 * 4/1992 Gowda et al. D14/396
- D. 386,170 * 11/1997 Peng D14/396

- D. 410,454 * 6/1999 Chen D14/398
- 5,694,123 * 12/1997 Selker et al. 341/22
- 5,847,697 * 12/1998 Sugimoto 345/168
- 5,995,024 * 11/1999 Kambayashi et al. 341/22

* cited by examiner

Primary Examiner—Freda Nunn

(74) *Attorney, Agent, or Firm*—George E. Grosser; Andrew Dillon

(57) **CLAIM**

The ornamental design for a space-saving computer keyboard layout, as shown and described.

DESCRIPTION

FIG. 1 is a top plan view of a space-saving computer keyboard layout showing our new design wherein the broken lines are shown for illustrative purposes only and forms no part of the claimed design;

FIG. 2 front elevational view thereof;

FIG. 3 is a rear elevational view thereof;

FIG. 4 is a left side elevational view thereof;

FIG. 5 is a right side elevational view thereof;

FIG. 6 is a reduced bottom plan view thereof;

FIG. 7 is a top front right side isometric view thereof.

1 Claim, 3 Drawing Sheets

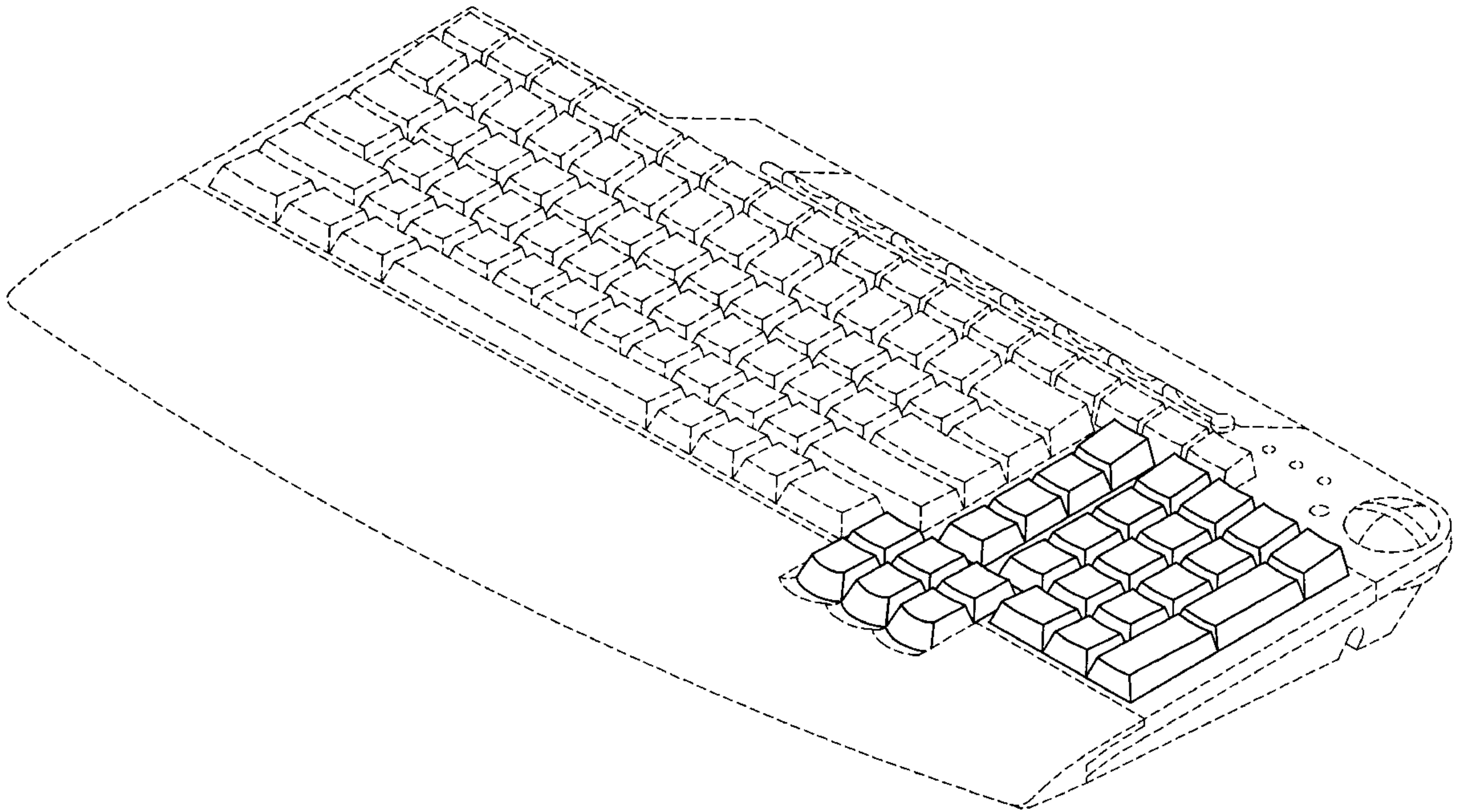


Fig. 2

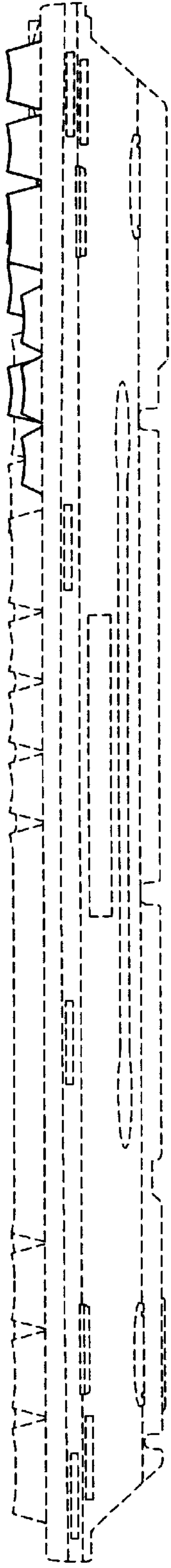


Fig. 3

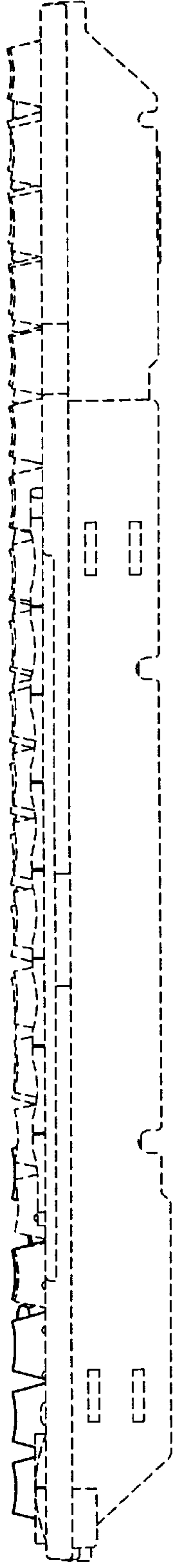


Fig. 4

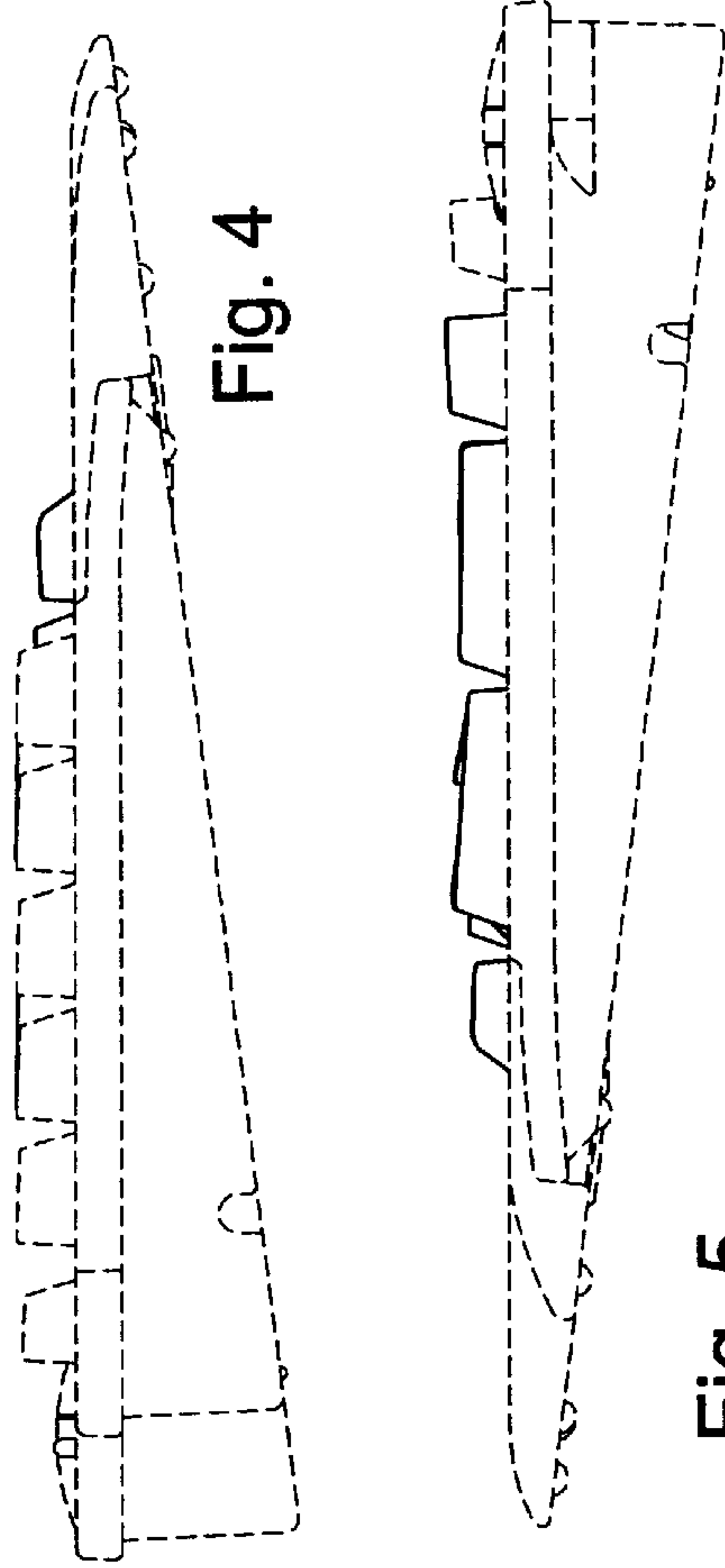


Fig. 5

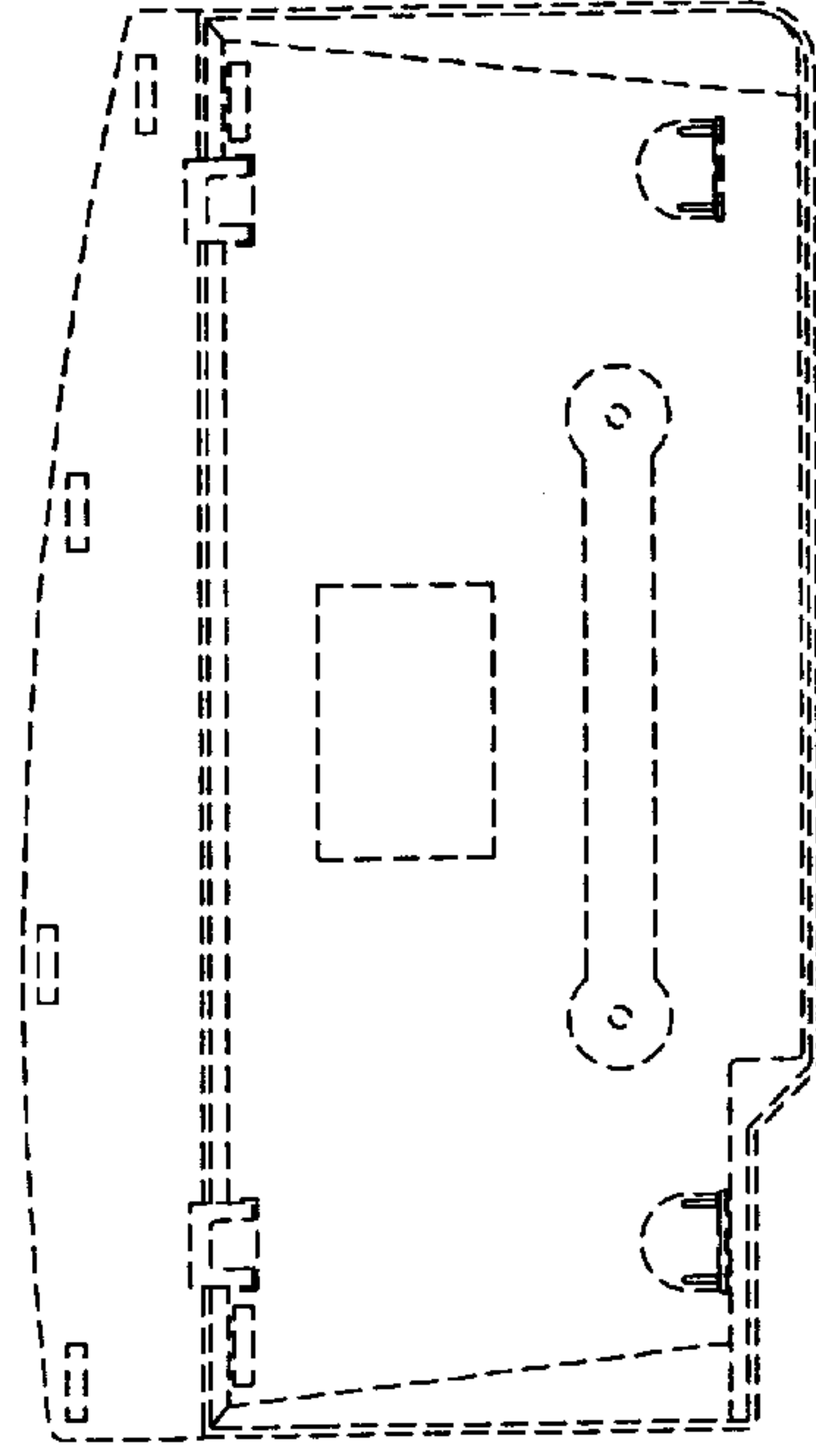


Fig. 6

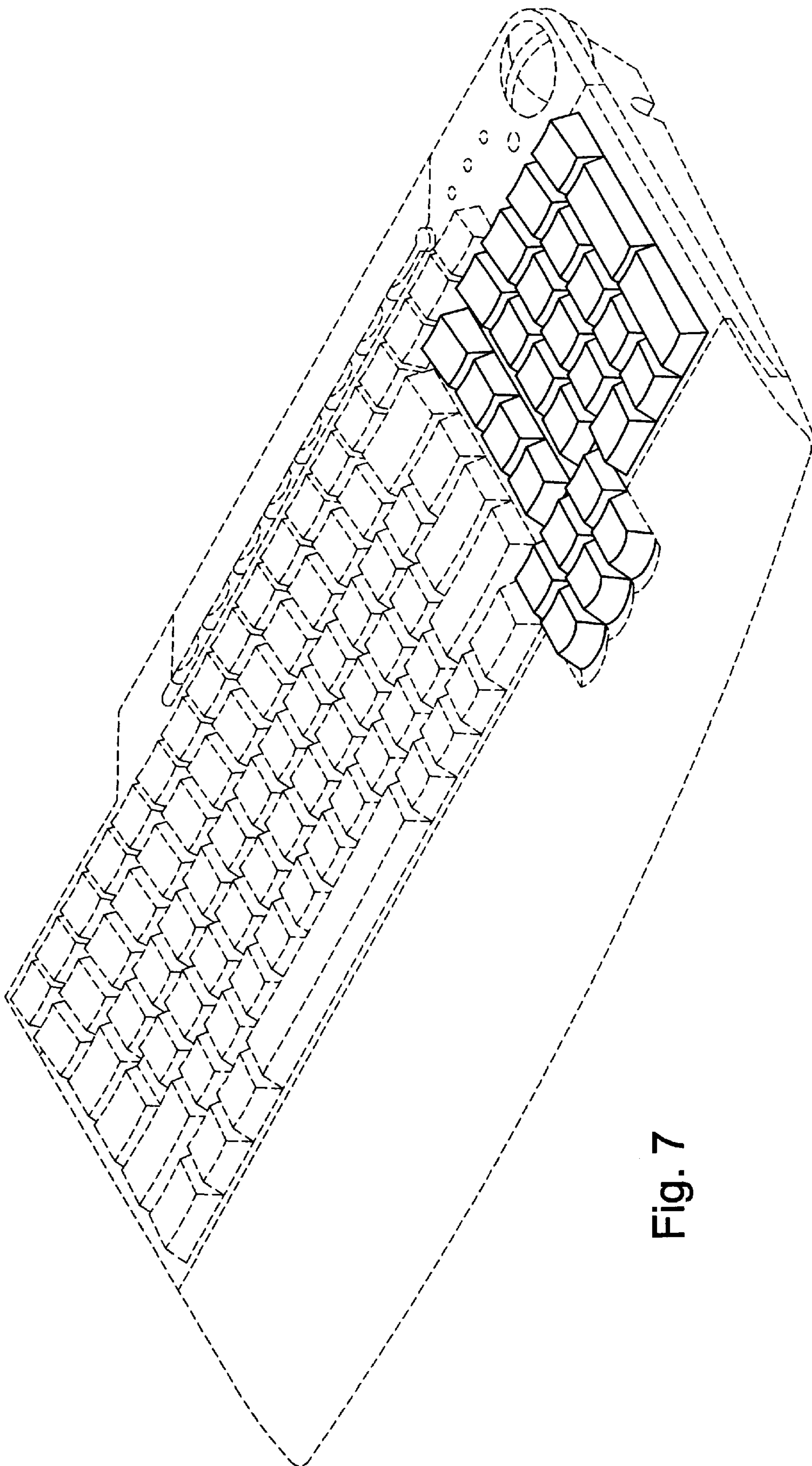


Fig. 7