



US00D441744S

(12) **United States Design Patent**  
**Miyazaki**

(10) **Patent No.:** **US D441,744 S**

(45) **Date of Patent:** **\*\* May 8, 2001**

- (54) **RECEIVER FOR WIRELESS COMMUNICATION APPARATUS**
- (75) Inventor: **Tetsuro Miyazaki**, Tokyo (JP)
- (73) Assignee: **Sony Corporation**, Tokyo (JP)
- (\*\*) Term: **14 Years**
- (21) Appl. No.: **29/124,265**
- (22) Filed: **Jun. 5, 2000**
- (51) **LOC (7) Cl.** ..... **14-03**
- (52) **U.S. Cl.** ..... **D14/240; D14/137; D14/358; D16/237**
- (58) **Field of Search** ..... D14/137, 240, D14/138, 218, 147-148, 358, 247-248, 155, 250, 192, 339, 198, 188, 225, 126; 379/433, 434, 419, 420, 428, 440; 455/550-575, 90, 347-349; D6/237

(56) **References Cited**

**U.S. PATENT DOCUMENTS**

D. 243,861	*	3/1977	Akazawa	.....	D14/137
D. 245,980	*	10/1977	Igo et al.	.....	D14/194
D. 248,566	*	7/1978	Gorke	.....	D14/155
D. 258,881	*	4/1981	Ota	.....	D14/248
D. 259,723	*	6/1981	Ven	.....	D14/171
D. 268,182	*	3/1983	Asano et al.	.....	D14/137
D. 276,158	*	10/1984	Lee et al.	.....	D14/192
D. 278,628	*	4/1985	Fukasawa et al.	.....	D14/126
D. 281,602	*	12/1985	Liautaud et al.	.....	D14/137
D. 281,975	*	12/1985	Oyamada	.....	D14/197
D. 290,957	*	7/1987	Imazeki	.....	D14/194
D. 302,157	*	7/1989	Vories	.....	D14/192

D. 308,837	*	6/1990	Dilgard et al.	.....	D10/104
D. 309,135	*	7/1990	Iwama	.....	D14/129
D. 338,888	*	8/1993	Kaneko	.....	D14/239
D. 340,927	*	11/1993	Goatman	.....	D14/137
D. 342,494	*	12/1993	Shigemura et al.	.....	D14/126
D. 358,558	*	5/1995	Isomura et al.	.....	D10/65
D. 376,146	*	12/1996	Totsch	.....	D14/155
D. 404,736	*	1/1999	Alvarez et al.	.....	D14/229
D. 415,114	*	10/1999	Kawashima	.....	D13/168
5,752,205	*	5/1998	Dzung et al.	.....	455/575

**OTHER PUBLICATIONS**

“Broadcast/Production System General Catalog 2000”, p. 99, Sony (WRR-860A), Nov. 1999.

\* cited by examiner

*Primary Examiner*—Jeffrey Asch

(74) *Attorney, Agent, or Firm*—Rader, Fishman & Grauer

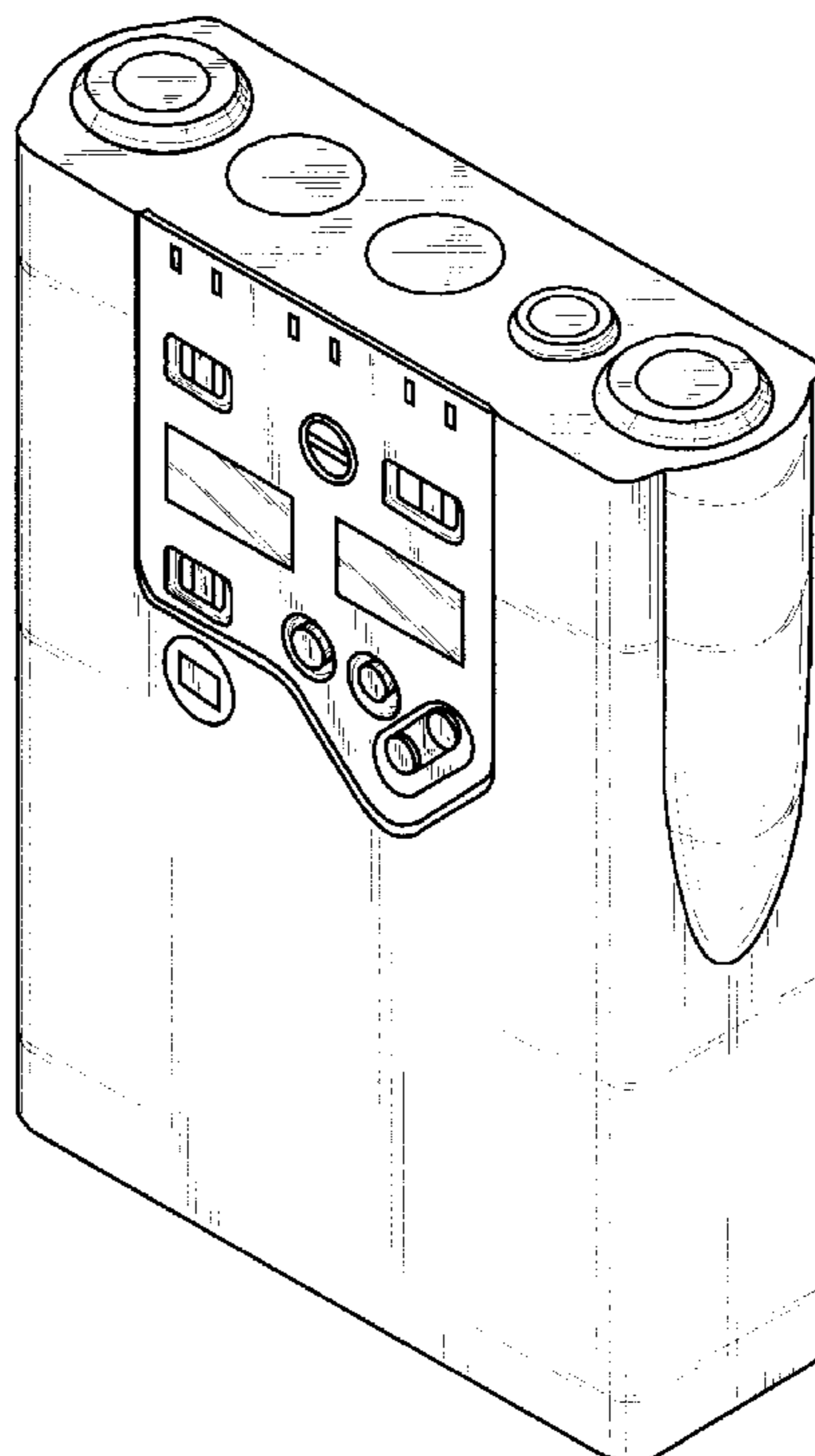
(57) **CLAIM**

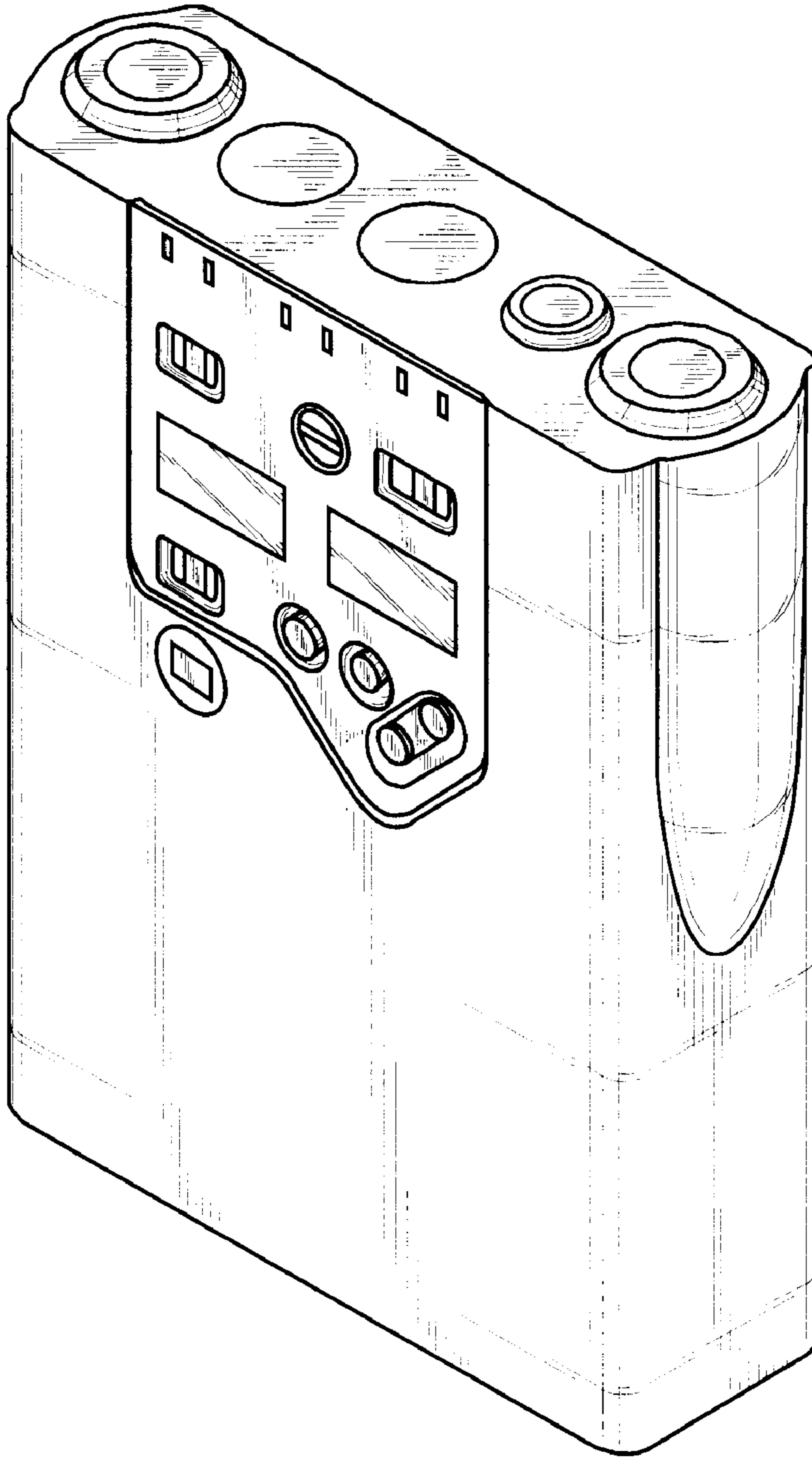
The ornamental design for a receiver for wireless communication apparatus, as shown and described.

**DESCRIPTION**

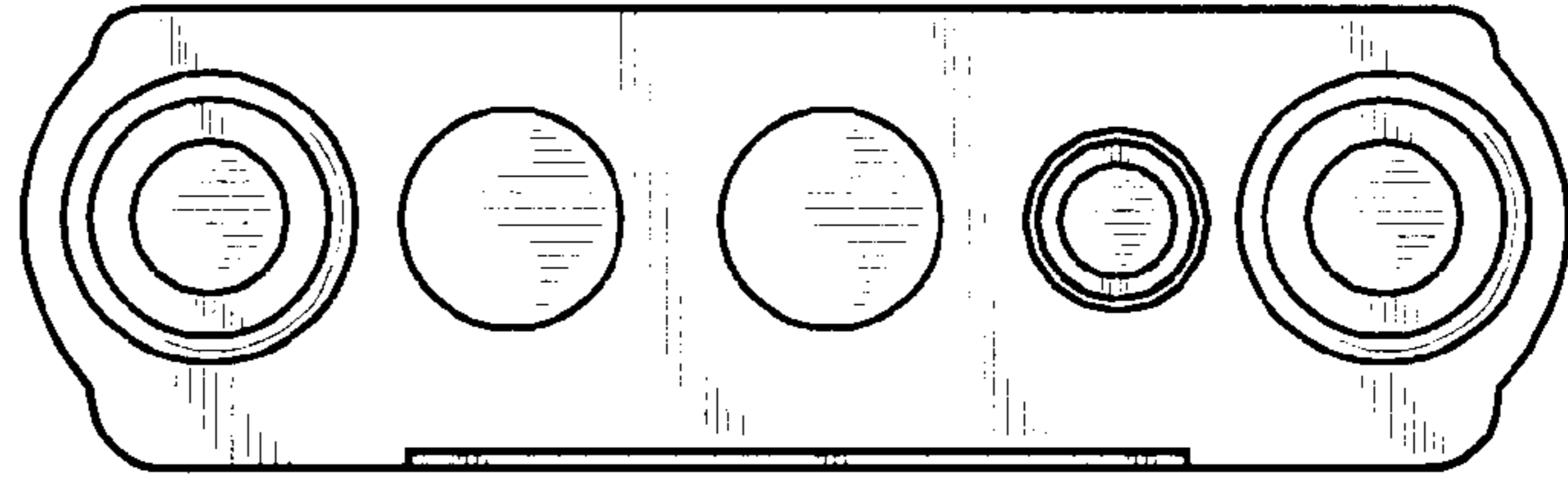
FIG. 1 is a perspective view of a receiver for wireless communication apparatus showing my design; FIG. 2 is a top plan view thereof; FIG. 3 is a bottom plan view thereof; FIG. 4 is a left side elevational view thereof; FIG. 5 is a right side elevational view thereof; FIG. 6 is a rear elevational view thereof; and, FIG. 7 is a front elevational view thereof.

**1 Claim, 4 Drawing Sheets**

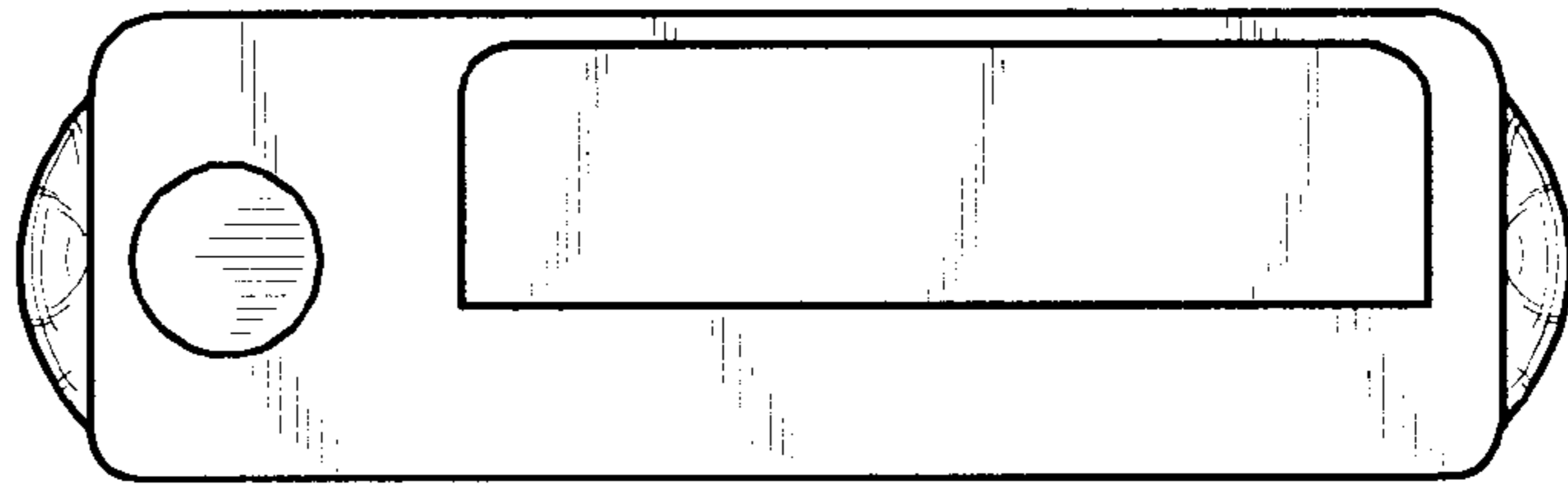




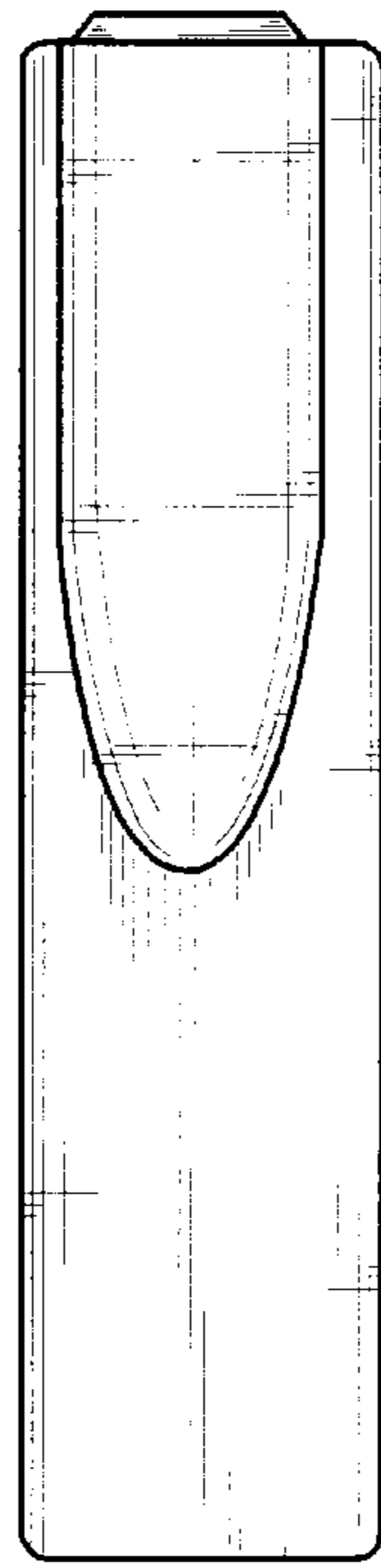
**Fig. 1**



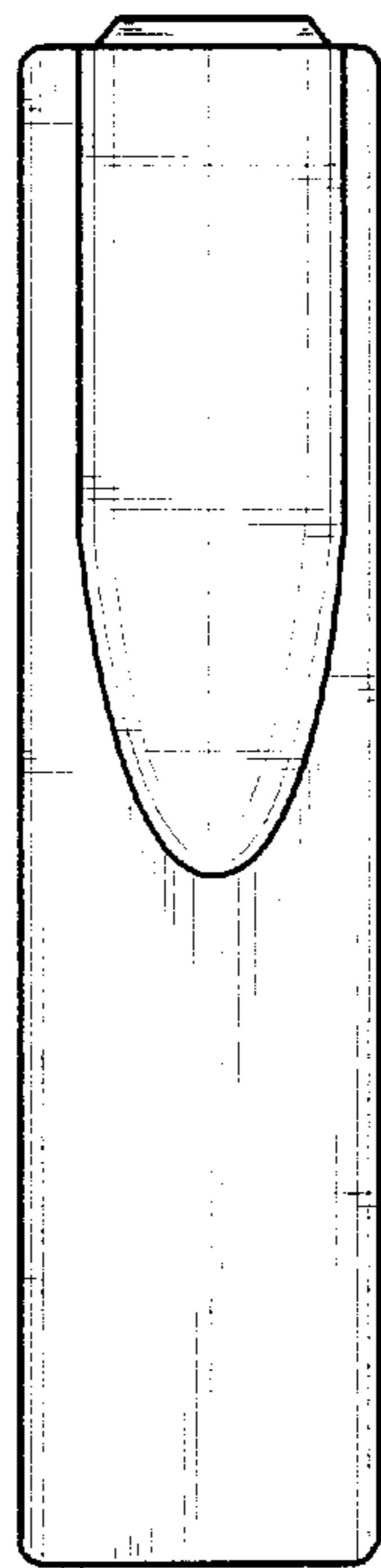
**Fig. 2**



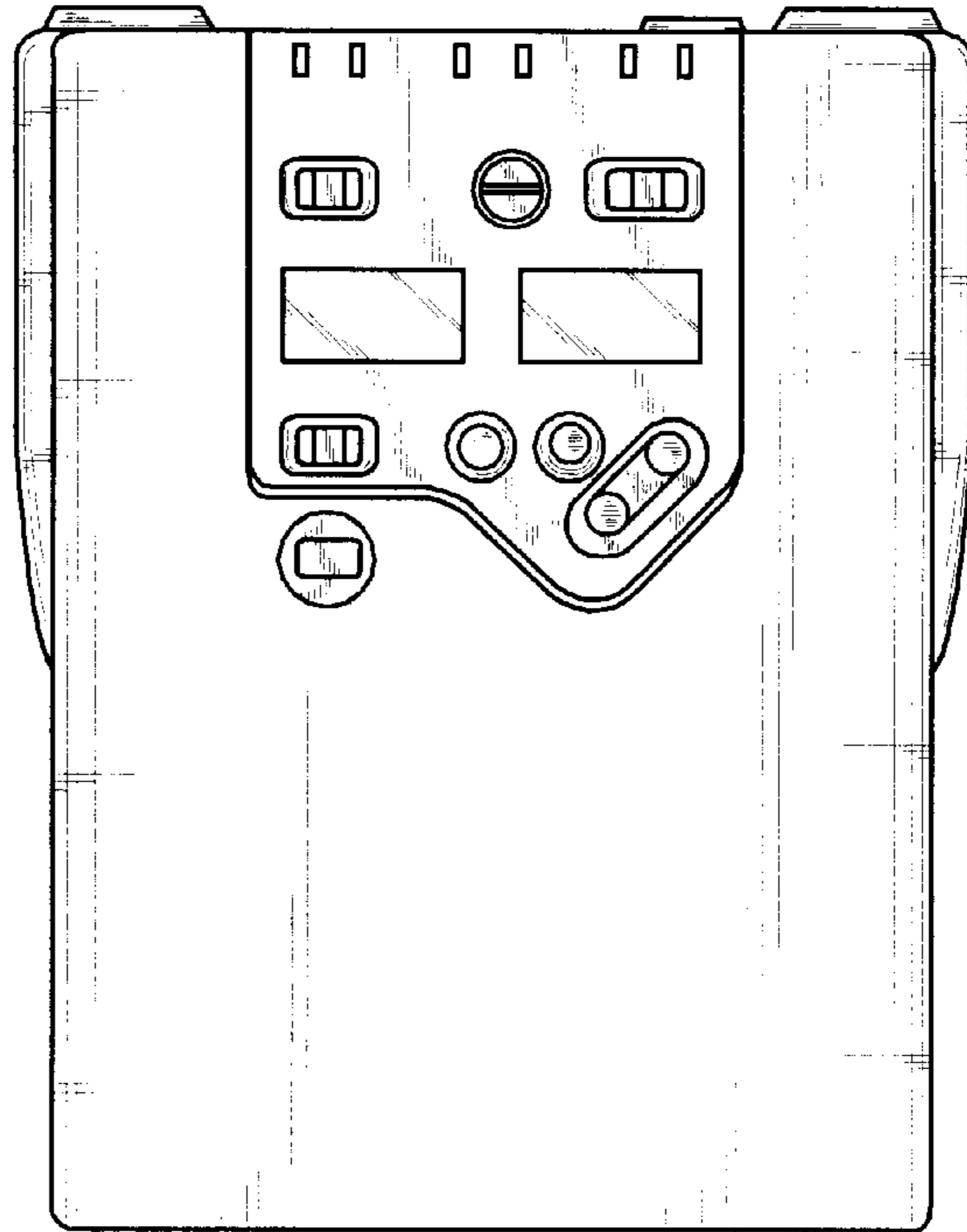
**Fig. 3**



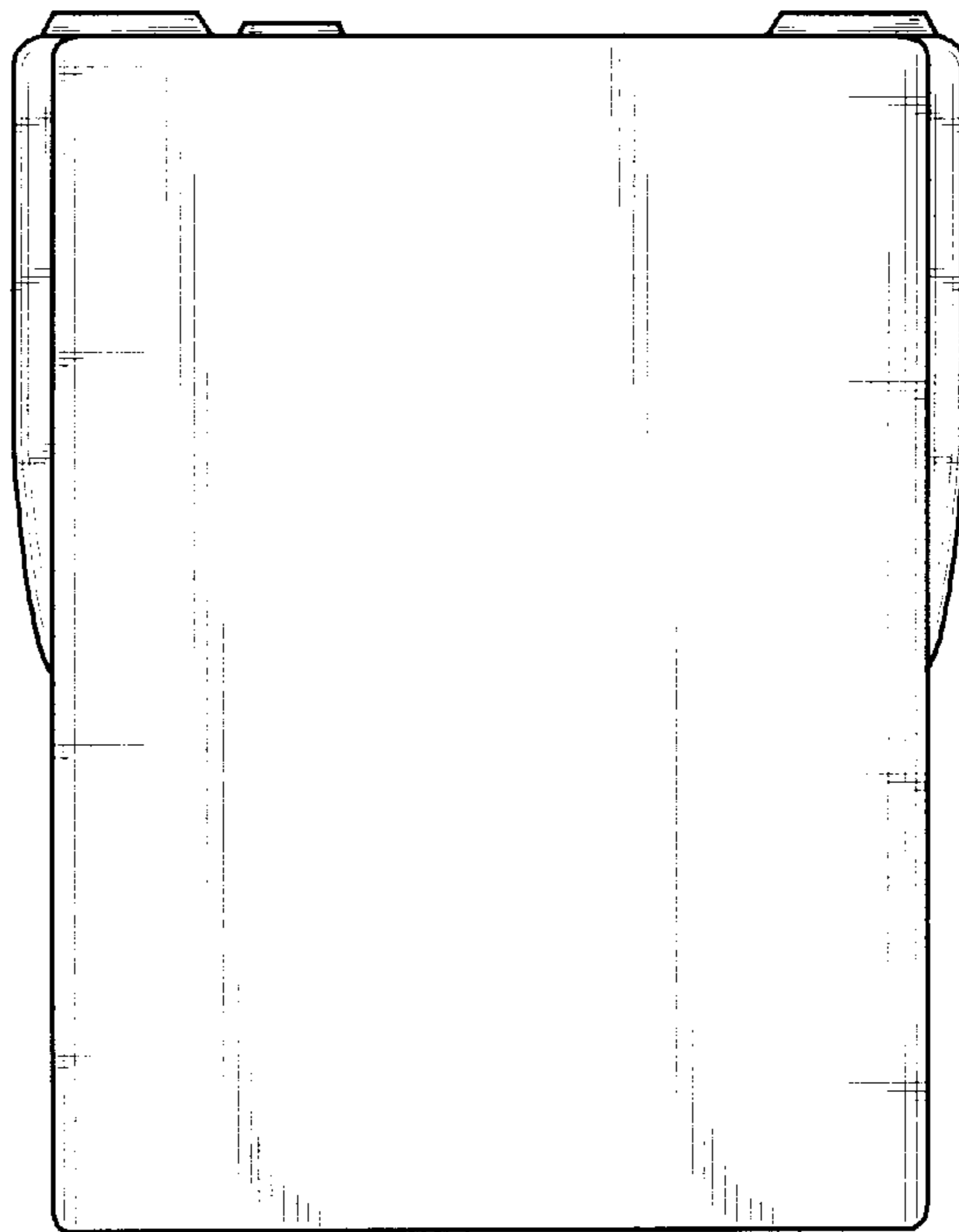
**Fig. 4**



**Fig. 5**



**Fig. 6**



**Fig. 7**