



US00D441741S

(12) **United States Design Patent**  
**Inoue**

(10) **Patent No.:** **US D441,741 S**

(45) **Date of Patent:** **\*\* May 8, 2001**

(54) **PARABOLIC ANTENNA**

(75) Inventor: **Shigemi Inoue**, Hyogo-ken (JP)

(73) Assignee: **DX Antenna Company, Limited**, Kobe (JP)

(\*\*) Term: **14 Years**

(21) Appl. No.: **29/126,323**

(22) Filed: **Jul. 13, 2000**

(51) **LOC (7) Cl.** ..... **14-03**

(52) **U.S. Cl.** ..... **D14/231**

(58) **Field of Search** ..... D14/230-238;  
343/840, 779, 878

(56) **References Cited**

**U.S. PATENT DOCUMENTS**

D. 389,155	*	1/1998	Inoue	.....	D14/231
D. 413,603	*	9/1999	Inoue	.....	D14/231
D. 421,440	*	3/2000	Galimand	.....	D14/231
6,137,451	*	10/2000	Durvasula et al.	.....	343/840

\* cited by examiner

*Primary Examiner*—Louis S. Zarfaz

*Assistant Examiner*—Gregory Andoll

(74) *Attorney, Agent, or Firm*—Duane, Morris & Heckscher LLP

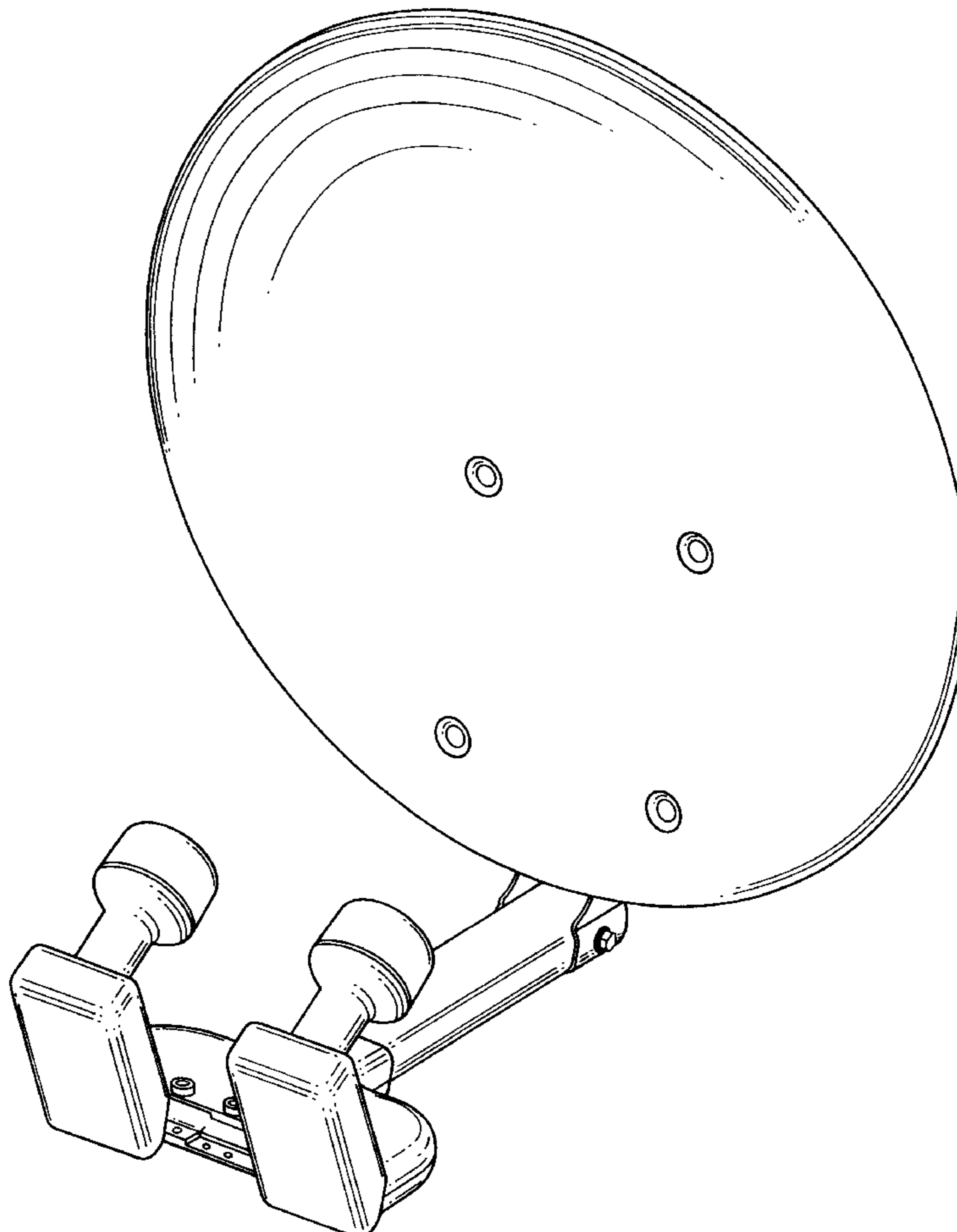
(57) **CLAIM**

The ornamental design for an a parabolic antenna, as shown and described.

**DESCRIPTION**

FIG. 1 is a front, left side perspective view of a parabolic antenna according to my new design;  
 FIG. 2 is a front elevational view of the antenna shown in FIG. 1;  
 FIG. 3 is a rear elevational view of the antenna shown in FIG. 1;  
 FIG. 4 is a top plan view of the antenna shown in FIG. 1;  
 FIG. 5 is a bottom plan view of the antenna shown in FIG. 1;  
 FIG. 6 is a left side elevational view of the antenna shown in FIG. 1; and,  
 FIG. 7 is a right side elevational view of the antenna shown in FIG. 1.

**1 Claim, 7 Drawing Sheets**



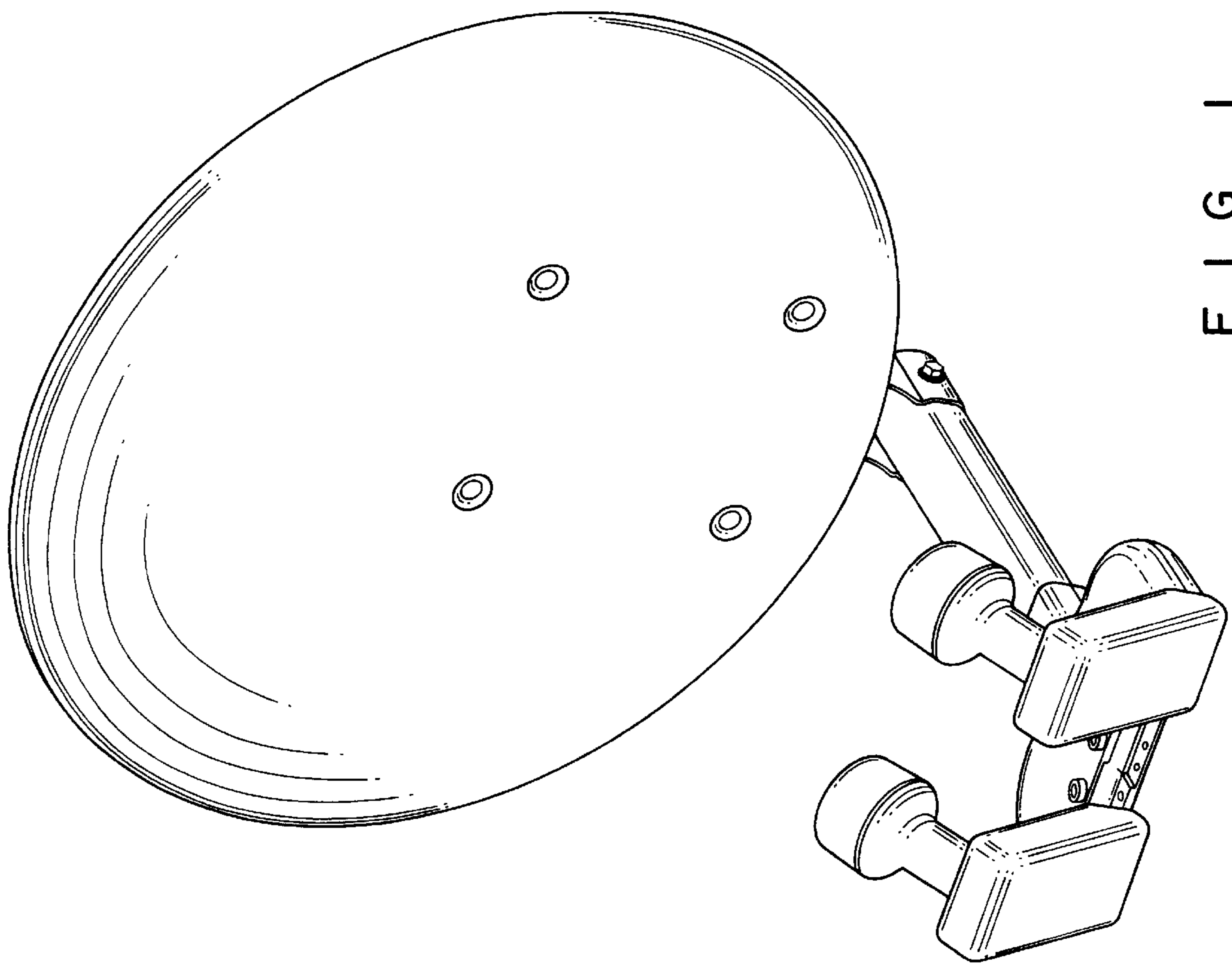


FIG. 1

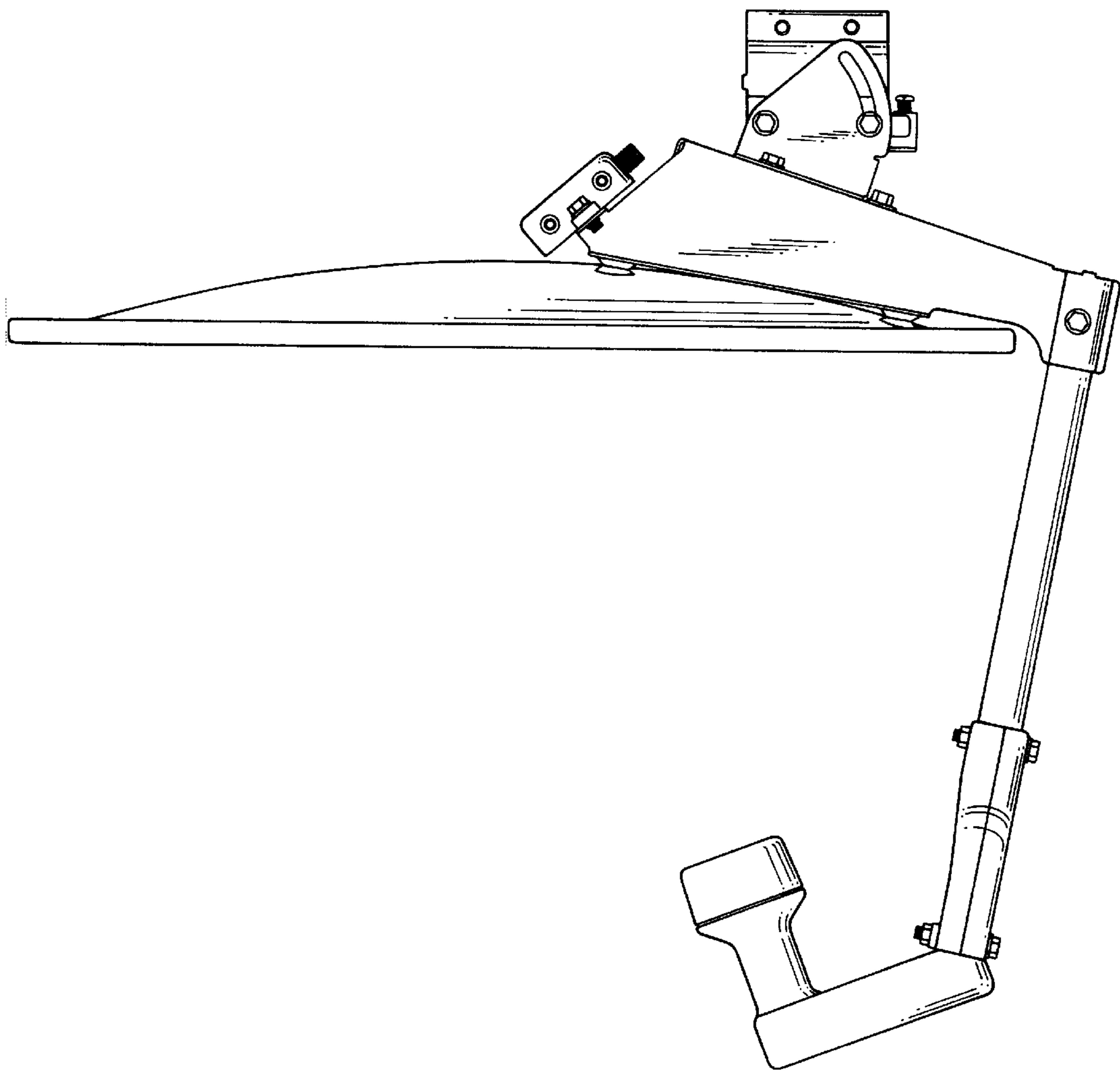


FIG. 2

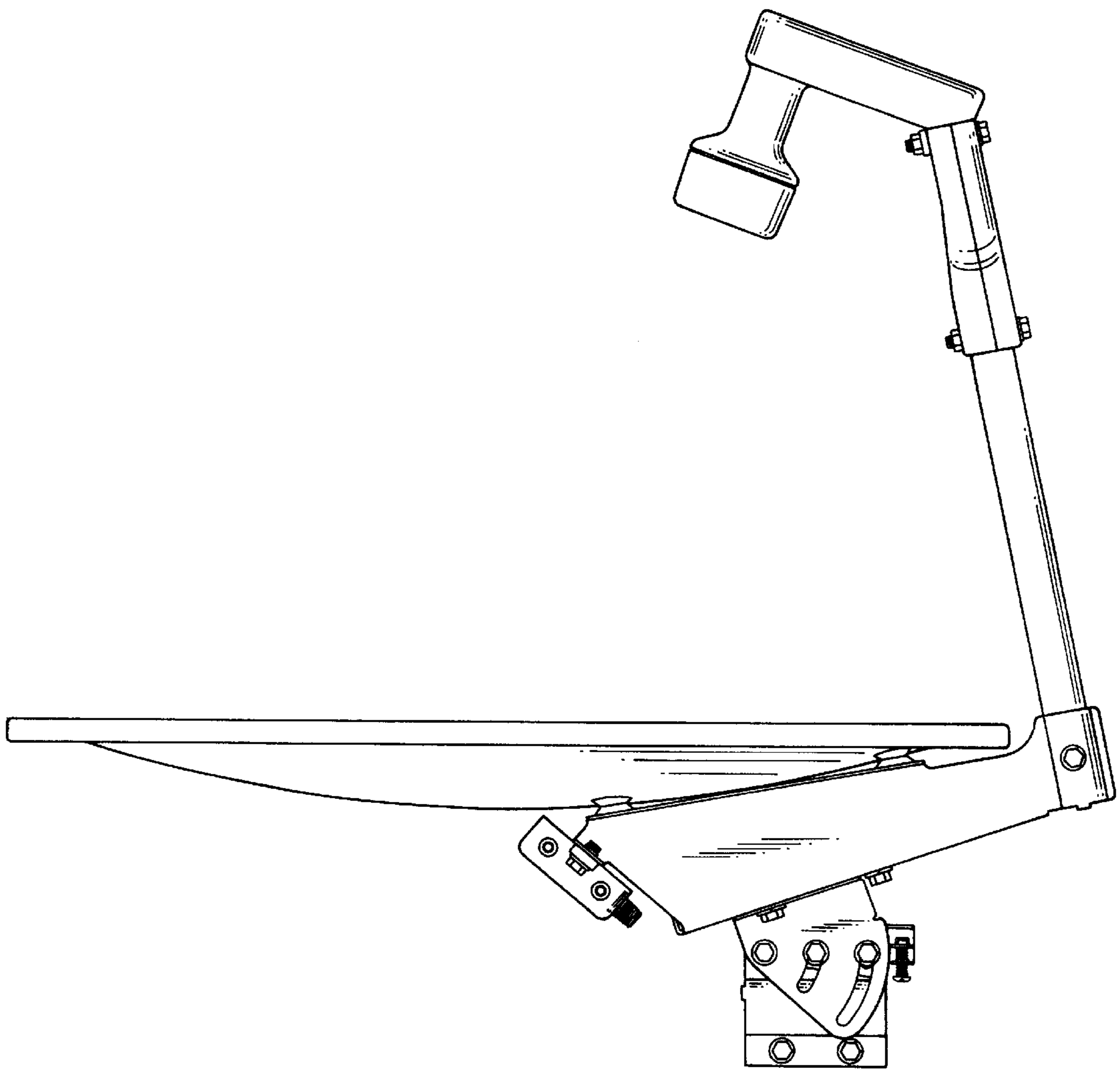
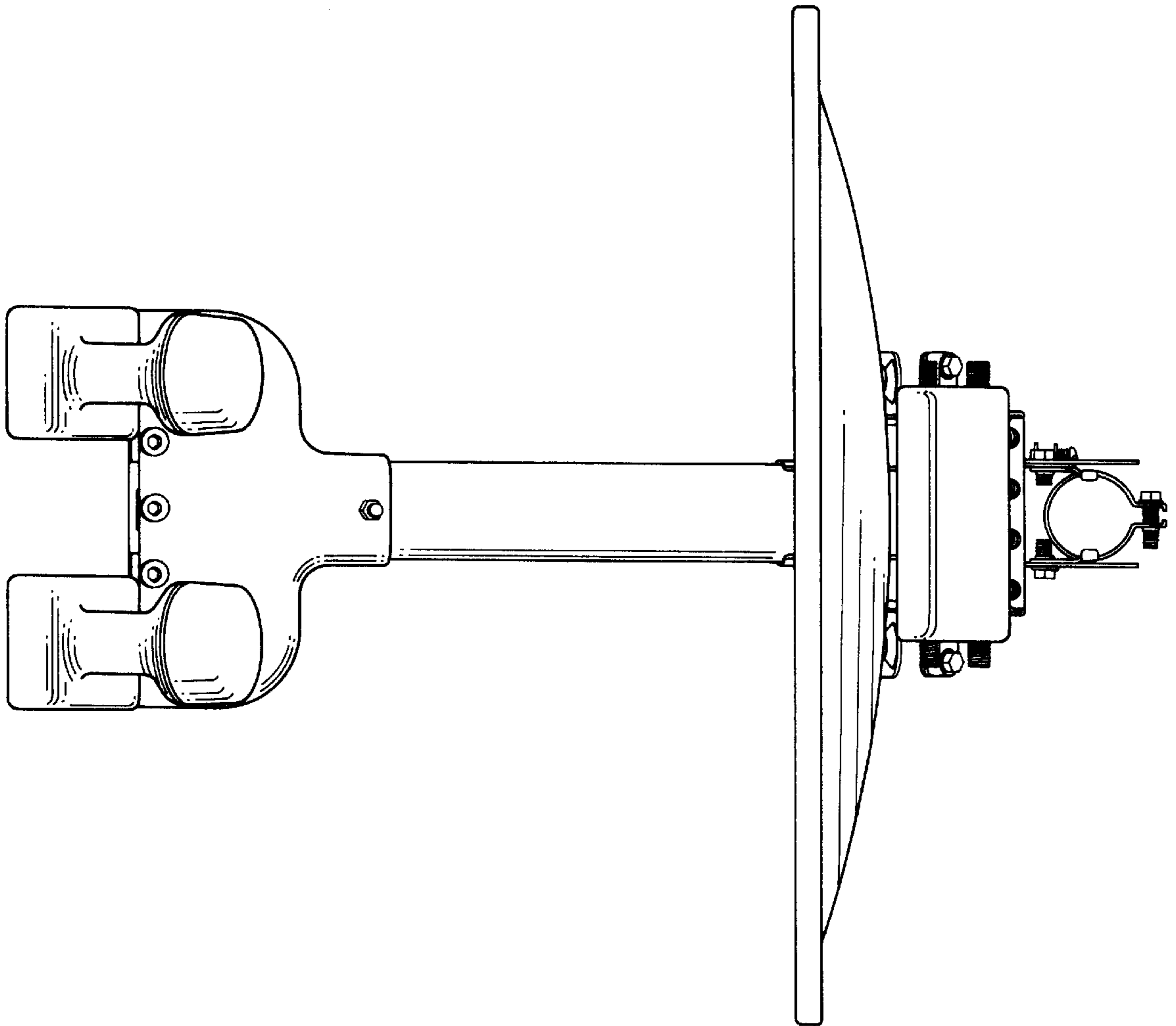
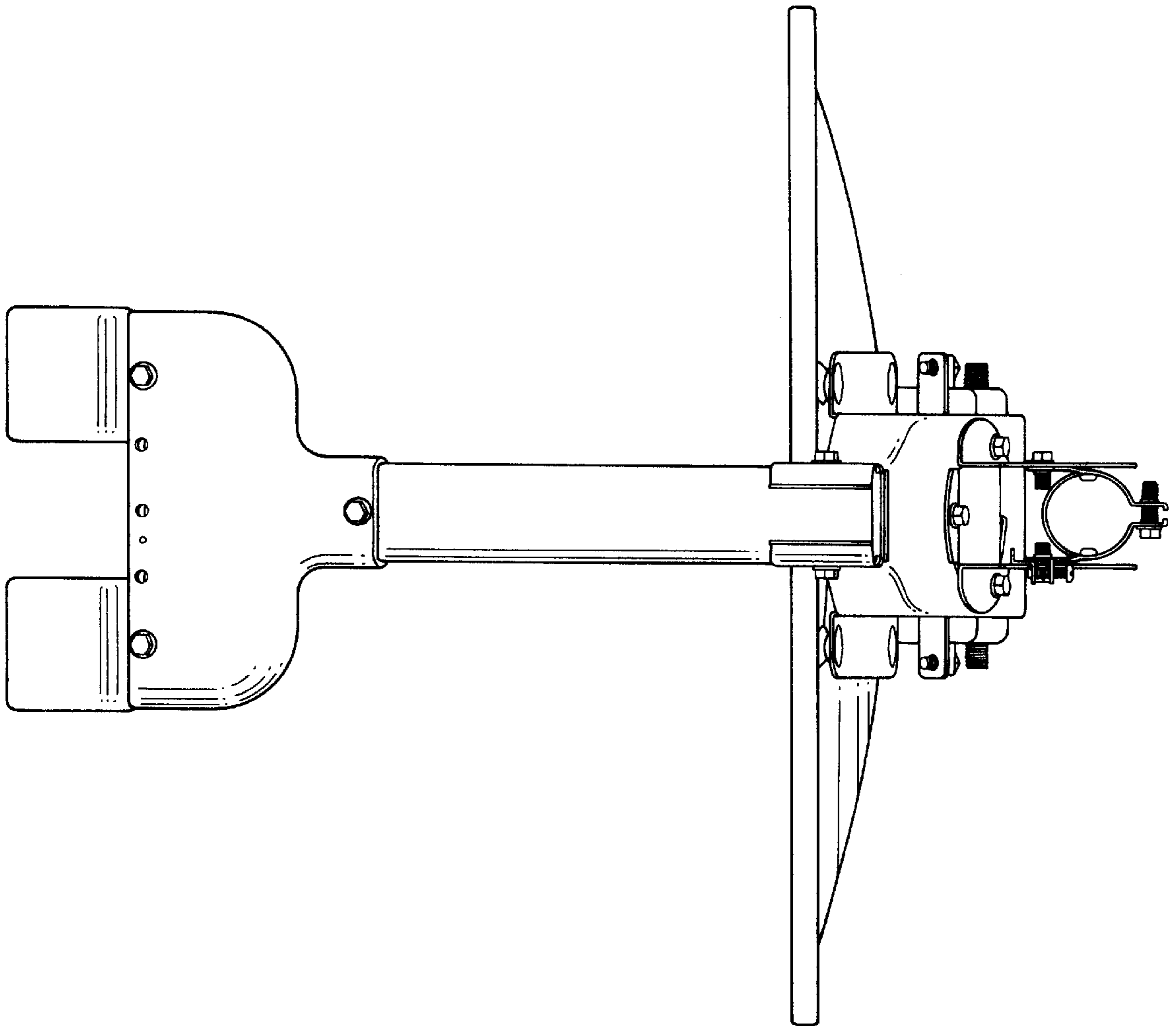


FIG. 3



F I G . 4



F I G . 5

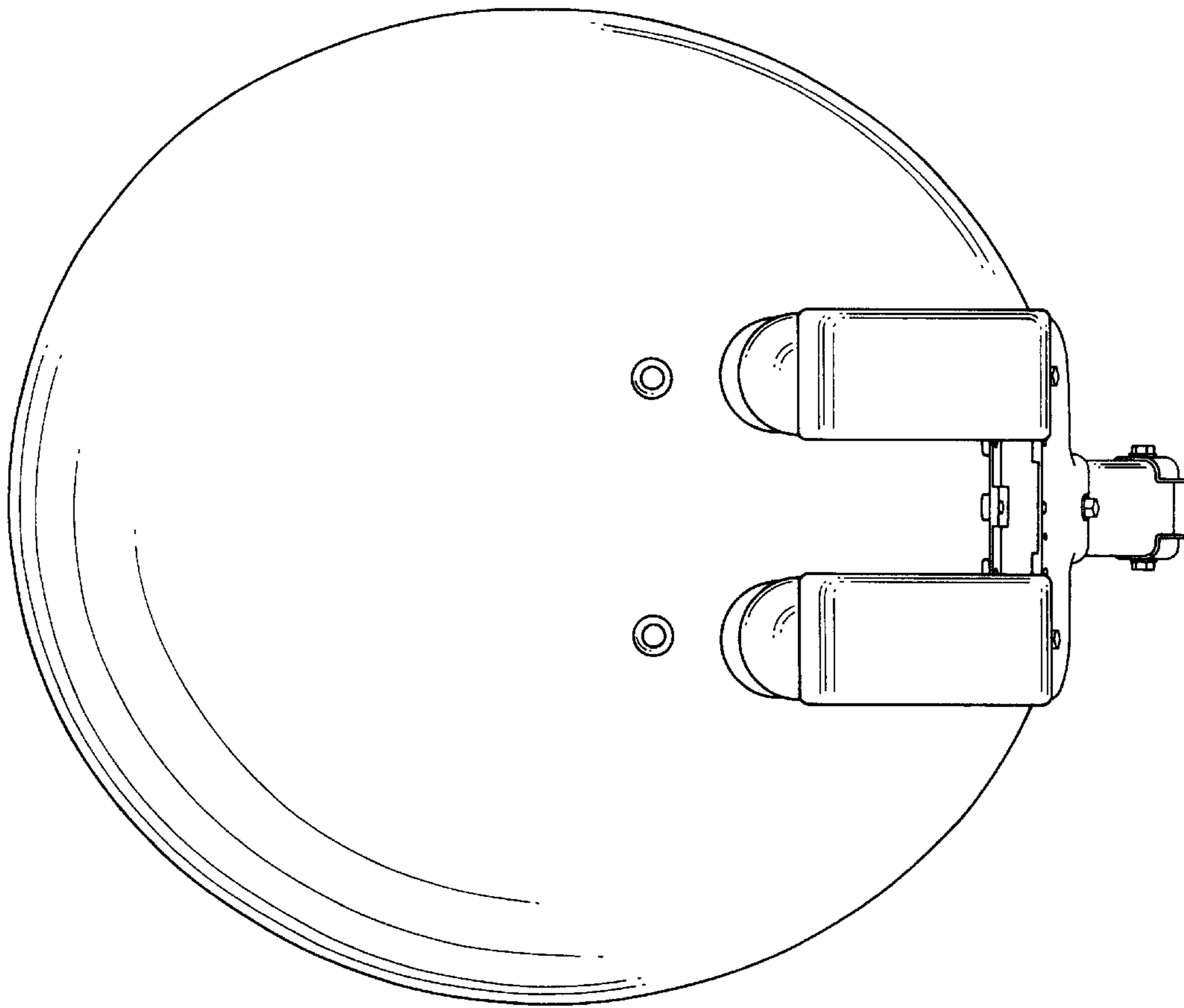


FIG. 6

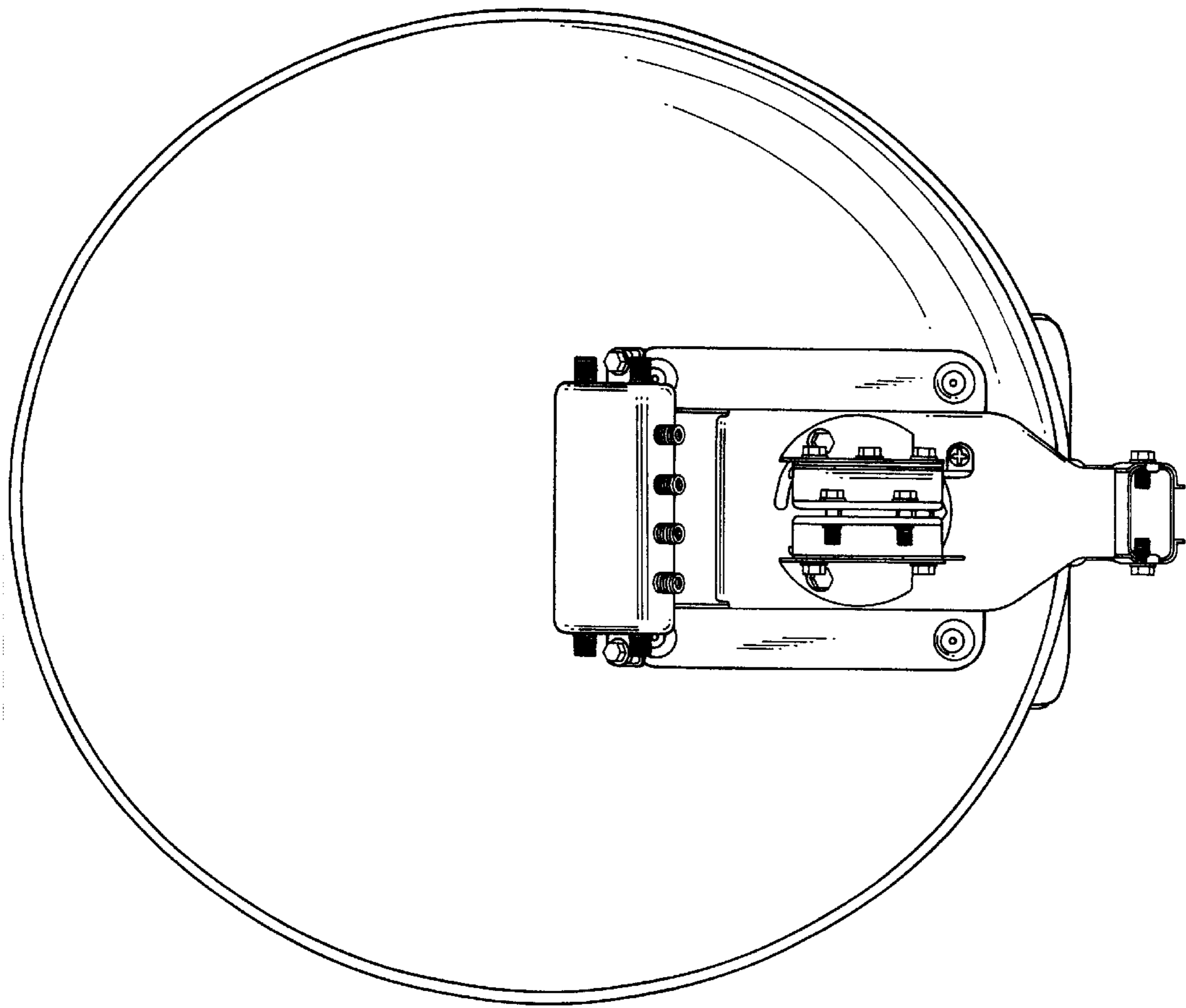


FIG. 7