



US00D441740S

(12) **United States Design Patent**
Petruzzelli et al.

(10) **Patent No.:** **US D441,740 S**

(45) **Date of Patent:** **** May 8, 2001**

(54) **DIRECT BROADCAST SATELLITE
ANTENNA FEEDHORN WITH MOUNTING
ARM**

5,448,254 * 9/1995 Schneeman et al. 343/840

* cited by examiner

(75) Inventors: **Edmund F. Petruzzelli**, Greenwood
Village; **Alan W. Webb**, Aurora; **Mark
Jackson**, Castle Rock, all of CO (US)

Primary Examiner—Louis S. Zarfes

Assistant Examiner—G. Andoll

(73) Assignee: **EchoStar Engineering Corp.**, Littleton,
CO (US)

(57) **CLAIM**

The ornamental design for the direct broadcast satellite
antenna feedhorn with mounting arm, as shown and
described.

(**) Term: **14 Years**

DESCRIPTION

(21) Appl. No.: **29/051,638**

FIG. 1 is a perspective view of our new direct broadcast
satellite antenna feedhorn with mounting arm design shown
offset mounted on a satellite antenna;

(22) Filed: **Mar. 14, 1996**

(Under 37 CFR 1.47)

FIG. 2 is a front elevational view thereof;

(51) **LOC (7) Cl.** **14-03**

(52) **U.S. Cl.** **D14/231**

(58) **Field of Search** D14/230–238;
343/702, 833, 712, 872, 908, 878, 840,
725, 870, 805, 726, 786, 823, 795, 713,
708, 882, 714, 911

FIG. 3 is a side elevational view thereof with the opposite
side a mirror image thereof;

FIG. 4 is a rear elevational view thereof;

FIG. 5 is a top plan view thereof; and,

FIG. 6 is a bottom plan view thereof.

The characteristic features of the design resides in the
flowing curves of the outer surface of the feedhorn and the
convex surface along the side of the mounting arm.

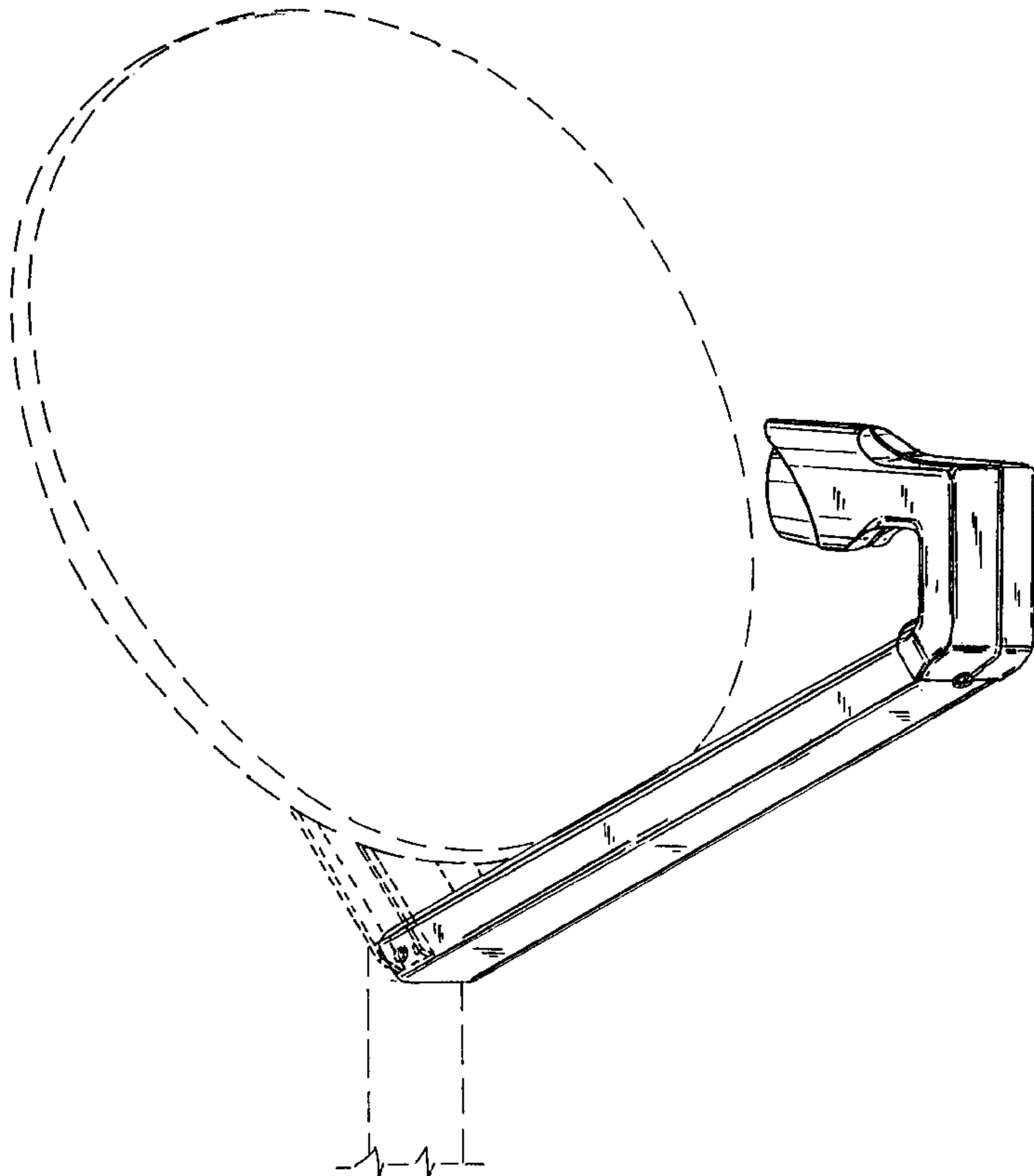
(56) **References Cited**

U.S. PATENT DOCUMENTS

- D. 362,444 * 9/1995 Schneeman D14/231
- D. 380,474 * 7/1997 Pietrangelo et al. D14/231
- D. 404,737 * 1/1999 Ishihara D14/231

The broken line showing of the dish and mounting in FIG.
1 is for illustrative purposes only and forms no part of the
claimed design.

1 Claim, 2 Drawing Sheets



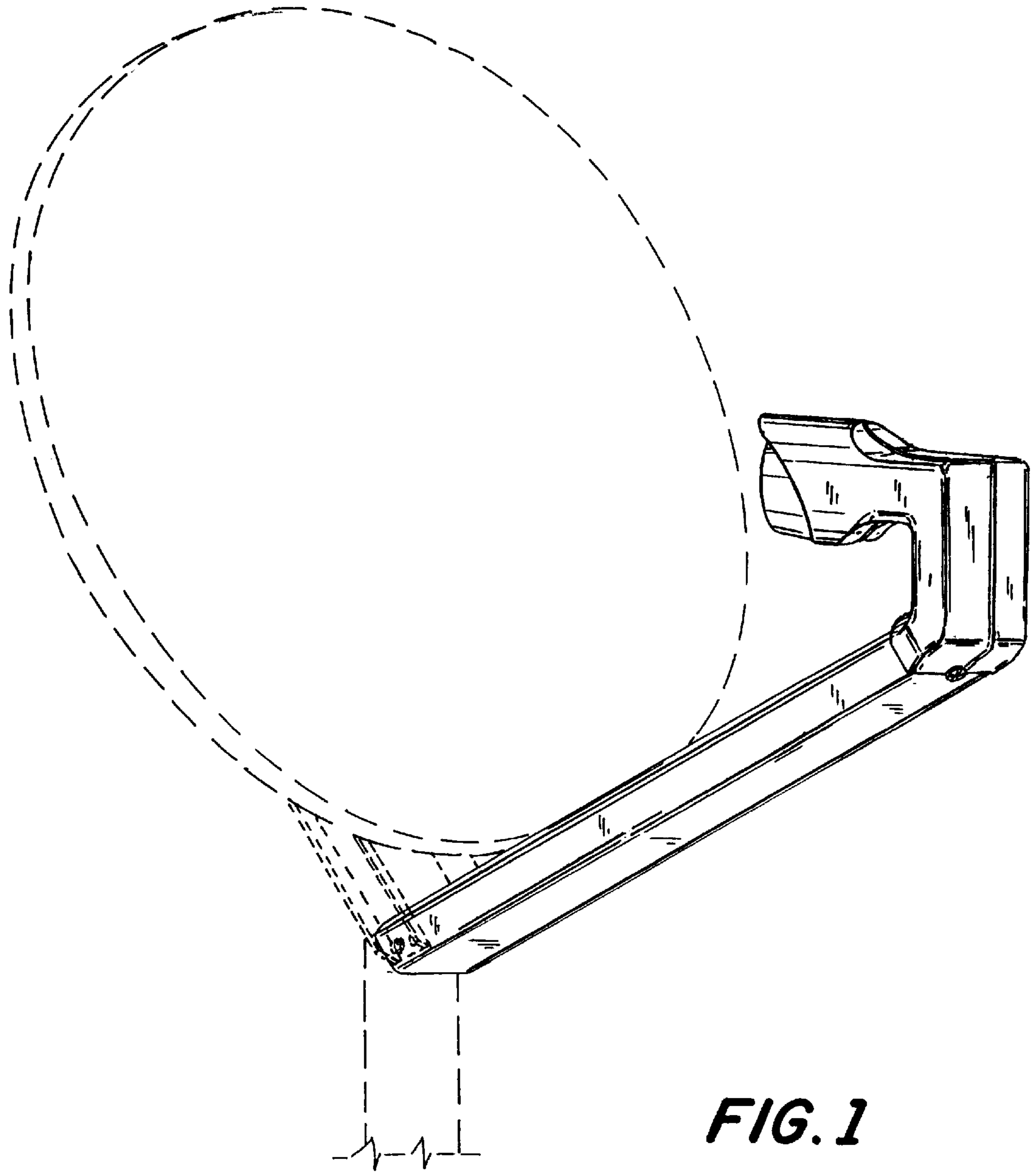


FIG. 1

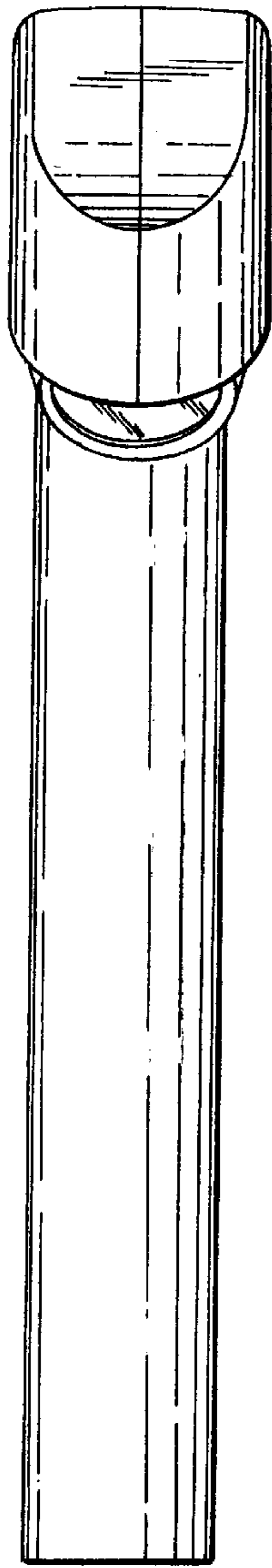


FIG. 2

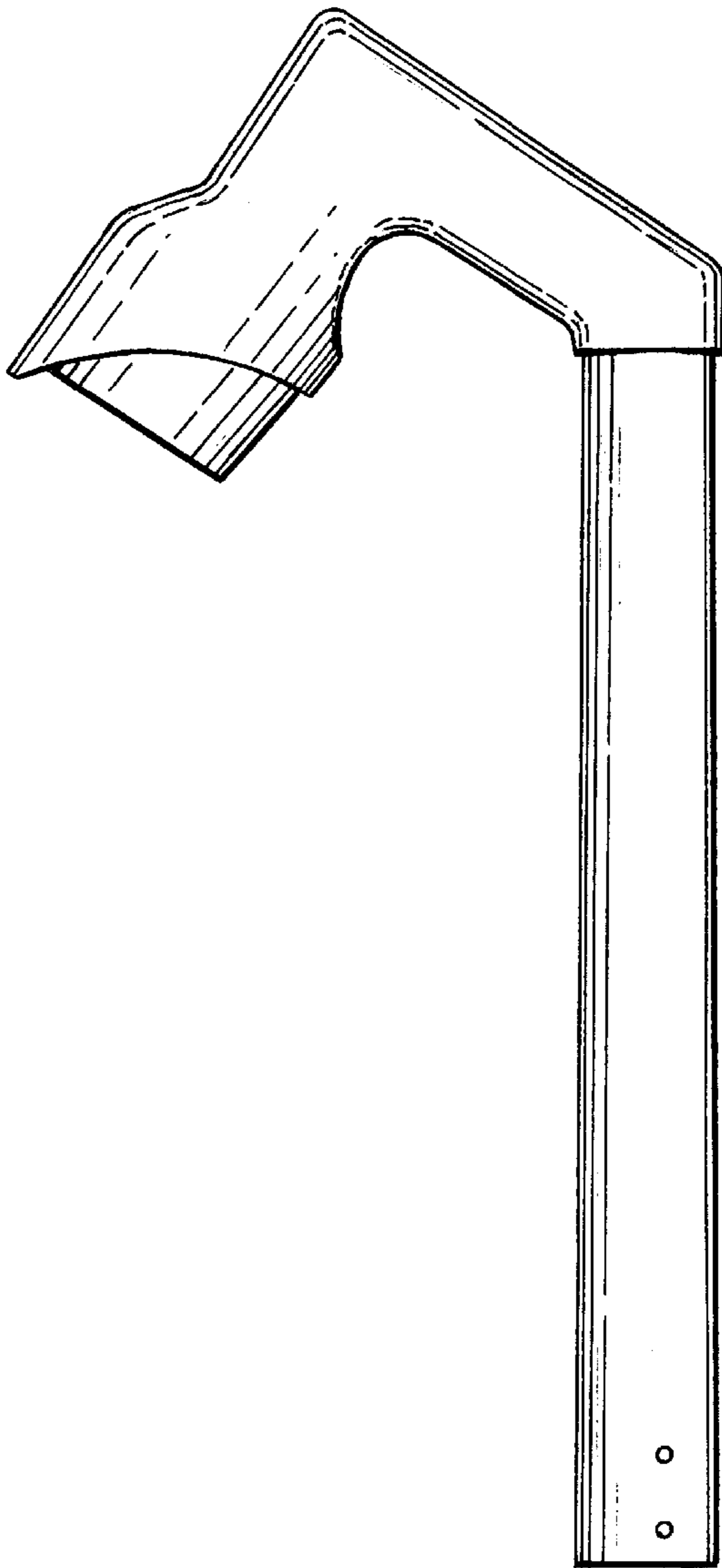


FIG. 3

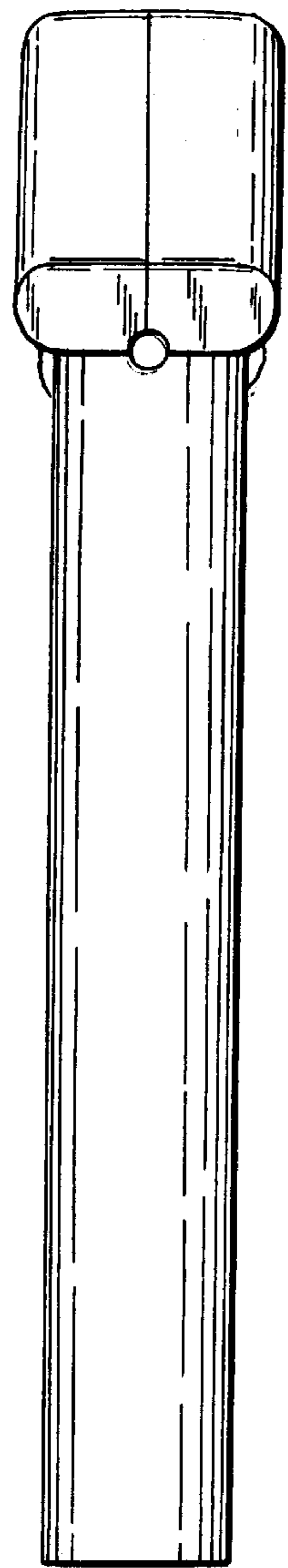


FIG. 4

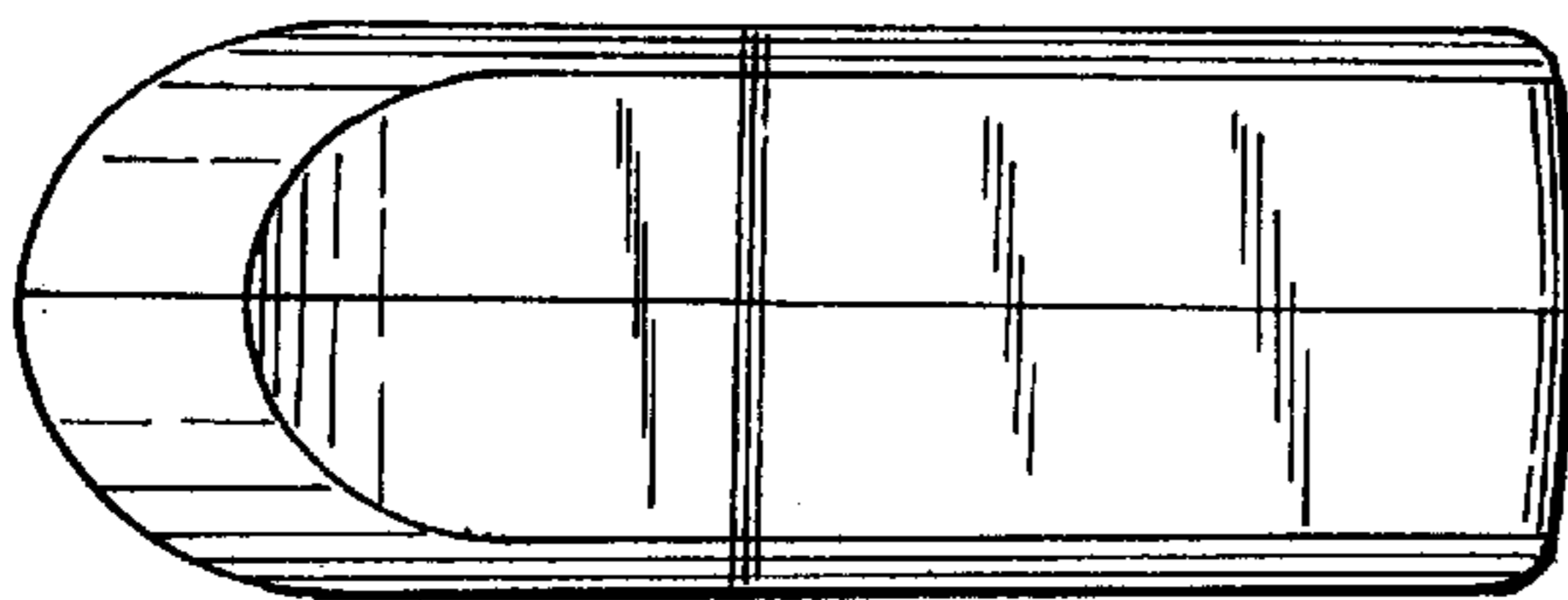


FIG. 5

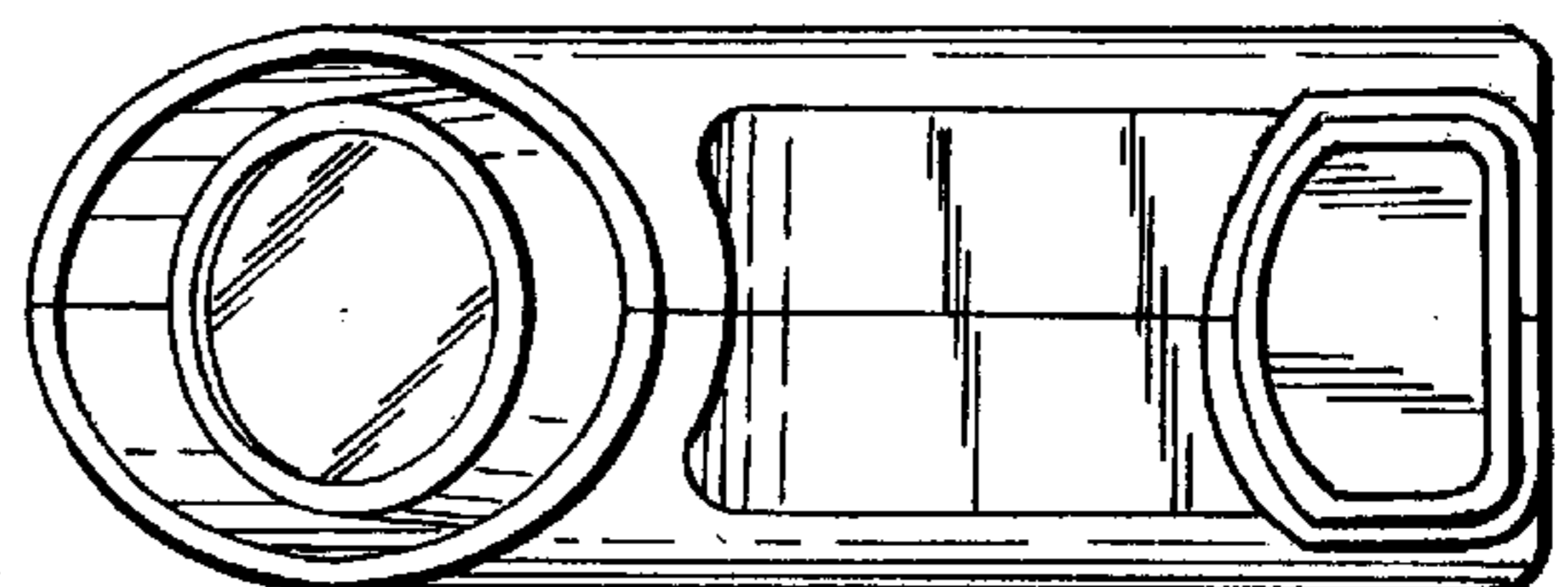


FIG. 6