



US00D441739S

(12) **United States Design Patent**
Hayes et al.

(10) **Patent No.:** **US D441,739 S**

(45) **Date of Patent:** **** May 8, 2001**

(54) **PORTION OF A HEADSET**

(75) Inventors: **Jonathan A. Hayes; Thomas W. Brooks**, both of Seattle; **James Y. Koo**, Renton, all of WA (US)

(73) Assignee: **Microsoft Corporation**, Redmond, WA (US)

(**) Term: **14 Years**

(21) Appl. No.: **29/126,944**

(22) Filed: **Jul. 28, 2000**

(51) **LOC (7) Cl.** **14-01**

(52) **U.S. Cl.** **14/223**

(58) **Field of Search** D14/147, 192, D14/205, 206, 223, 248; 181/128-130; 381/374, 376-379, 381

(56) **References Cited**

U.S. PATENT DOCUMENTS

- D. 327,265 * 6/1992 Jasey D14/206
- D. 337,116 * 7/1993 Hattori D14/206
- D. 394,437 * 5/1998 Landreth et al. D14/206
- D. 404,734 * 1/1999 Andrea D14/205
- 4,420,657 * 12/1983 Larkin 181/129 X

OTHER PUBLICATIONS

CDW Buyers' Edge, unadvertised specials on www.cdw.com, *Telephone Headsets and Accessories*, 1 sheet, p. 117, date unknown, but prior to the filing date of this application.

Corporate Express, Office and Computer Products, Source Book 2000, *Telephone & Accessories*, pp. 1074 & 1076-1079, date unknown but prior to the filing date of this application.

* cited by examiner

Primary Examiner—Nanda Bondade

(74) *Attorney, Agent, or Firm*—Banner & Witcoff, Ltd.

(57) **CLAIM**

The ornamental design for a portion of a headset, as shown and described.

DESCRIPTION

FIG. 1 is a left side elevational view of a portion of a headset showing our new design;

FIG. 2 is a right side elevational view thereof;

FIG. 3 is a front elevational view thereof;

FIG. 4 is a rear elevational view thereof;

FIG. 5 is a top plan view thereof;

FIG. 6 is a bottom plan view thereof;

FIG. 7 is a front elevational view thereof, with some of the broken lines removed for clarity of illustration;

FIG. 8 is a rear elevational view thereof, with some of the broken lines removed for clarity of illustration; and,

FIG. 9 is a bottom plan view thereof.

The broken line showing of the various elements on FIGS. 1-8 is for illustrative purposes only and forms no part of the claimed design.

1 Claim, 6 Drawing Sheets

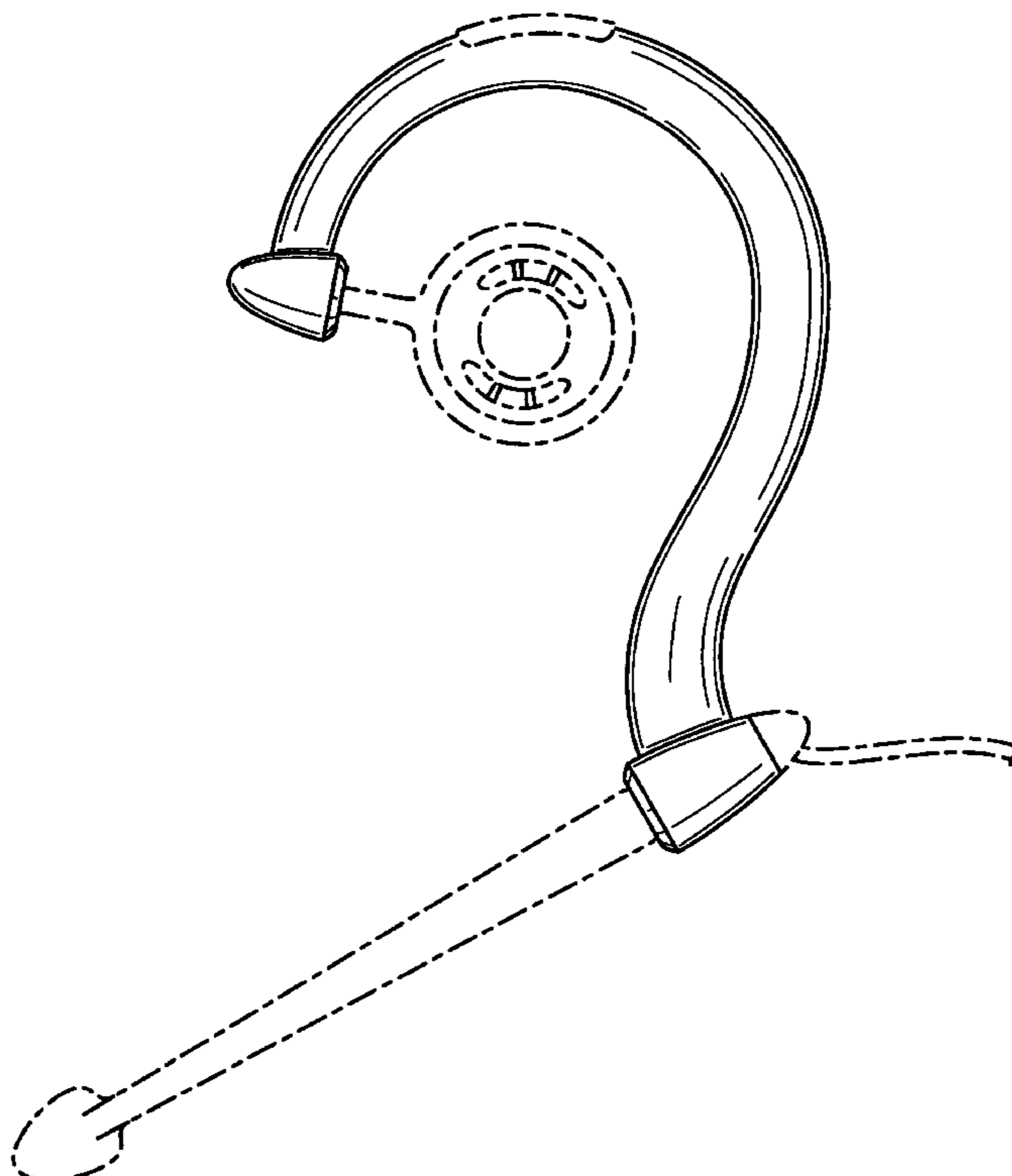


FIG. 1

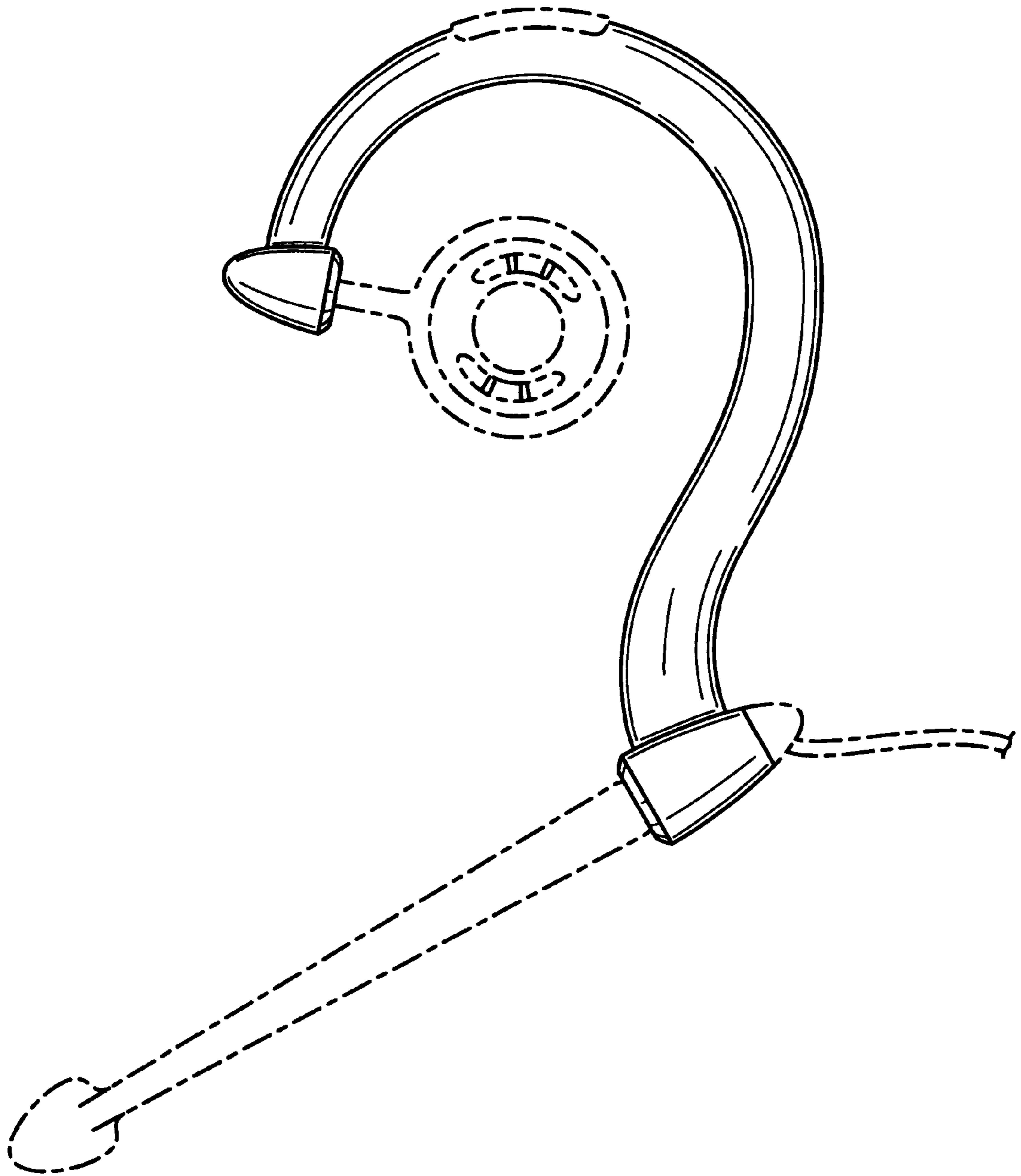


FIG. 2

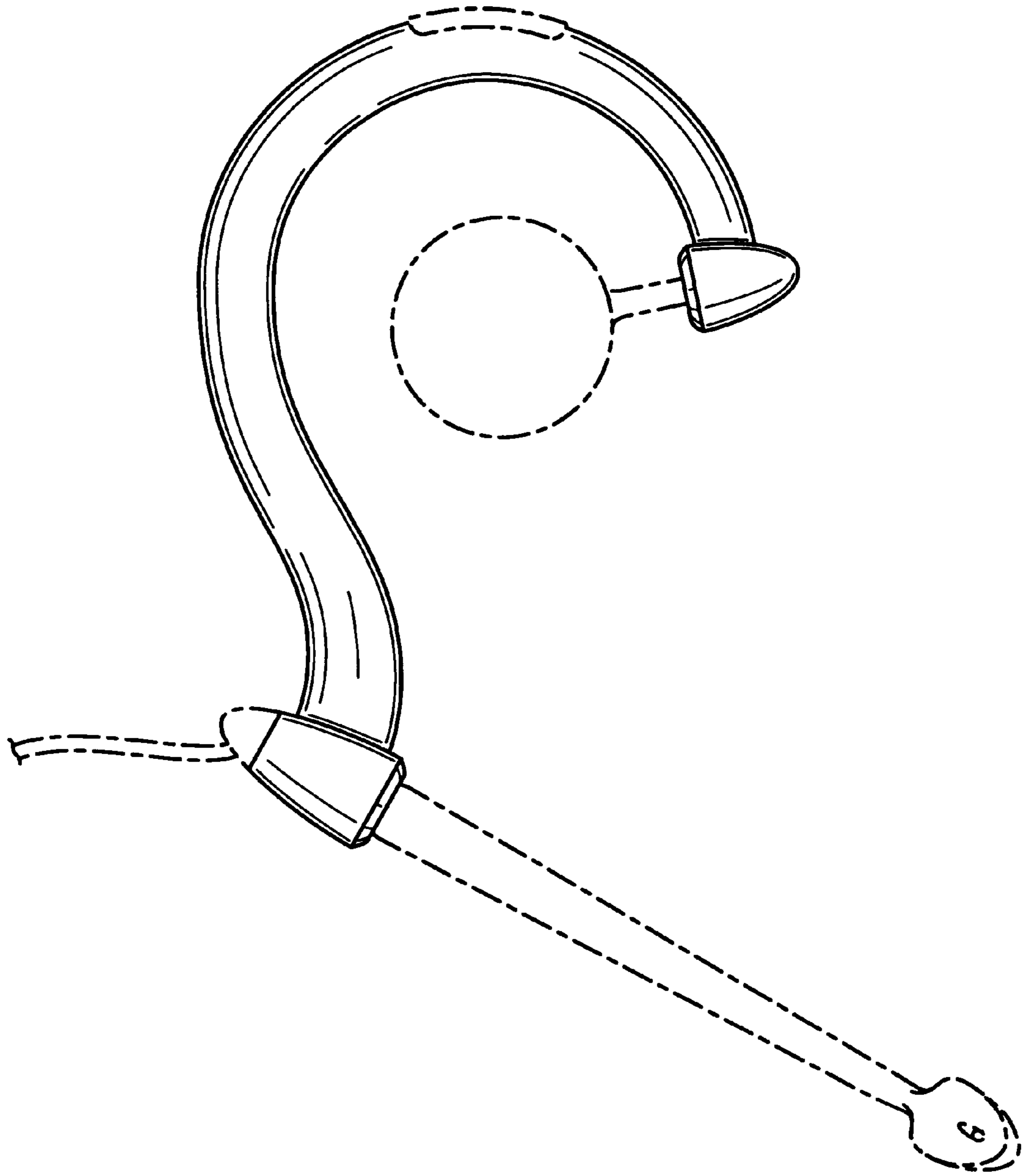


FIG. 3

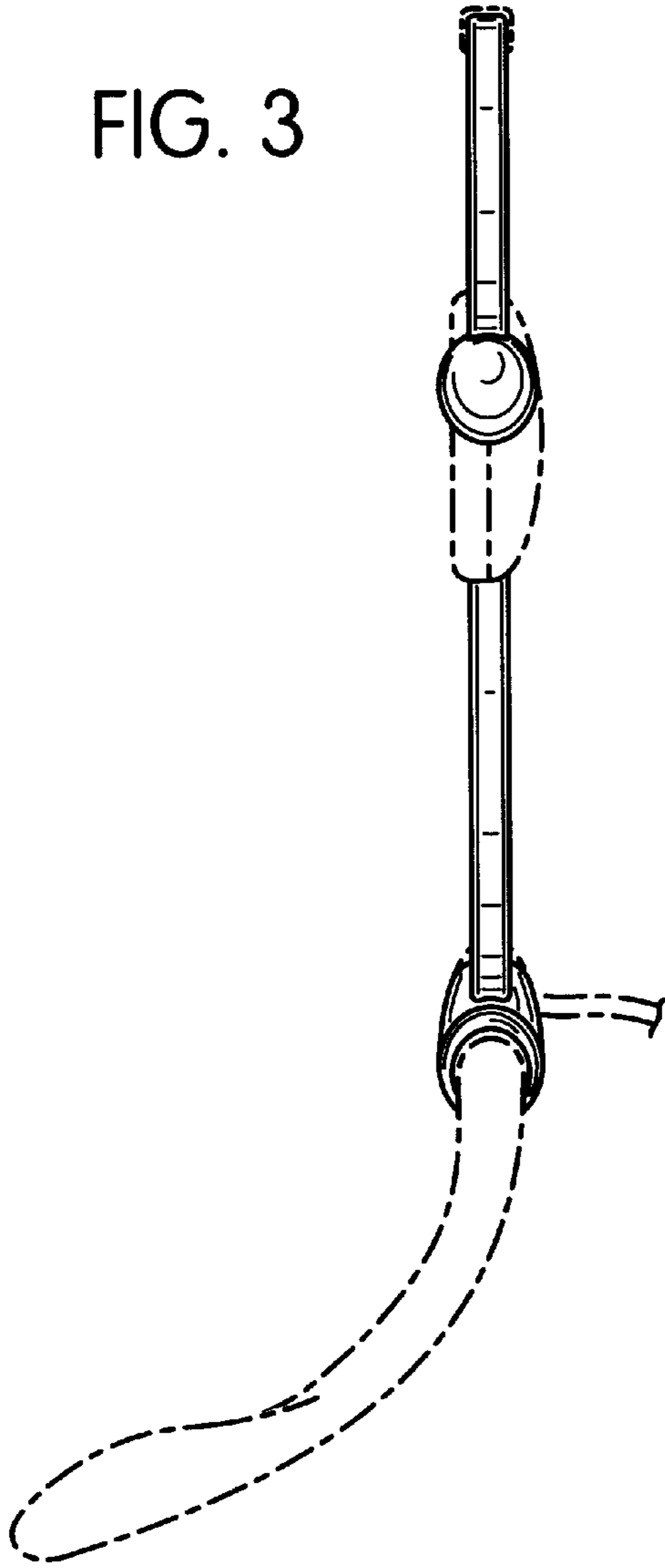


FIG. 4

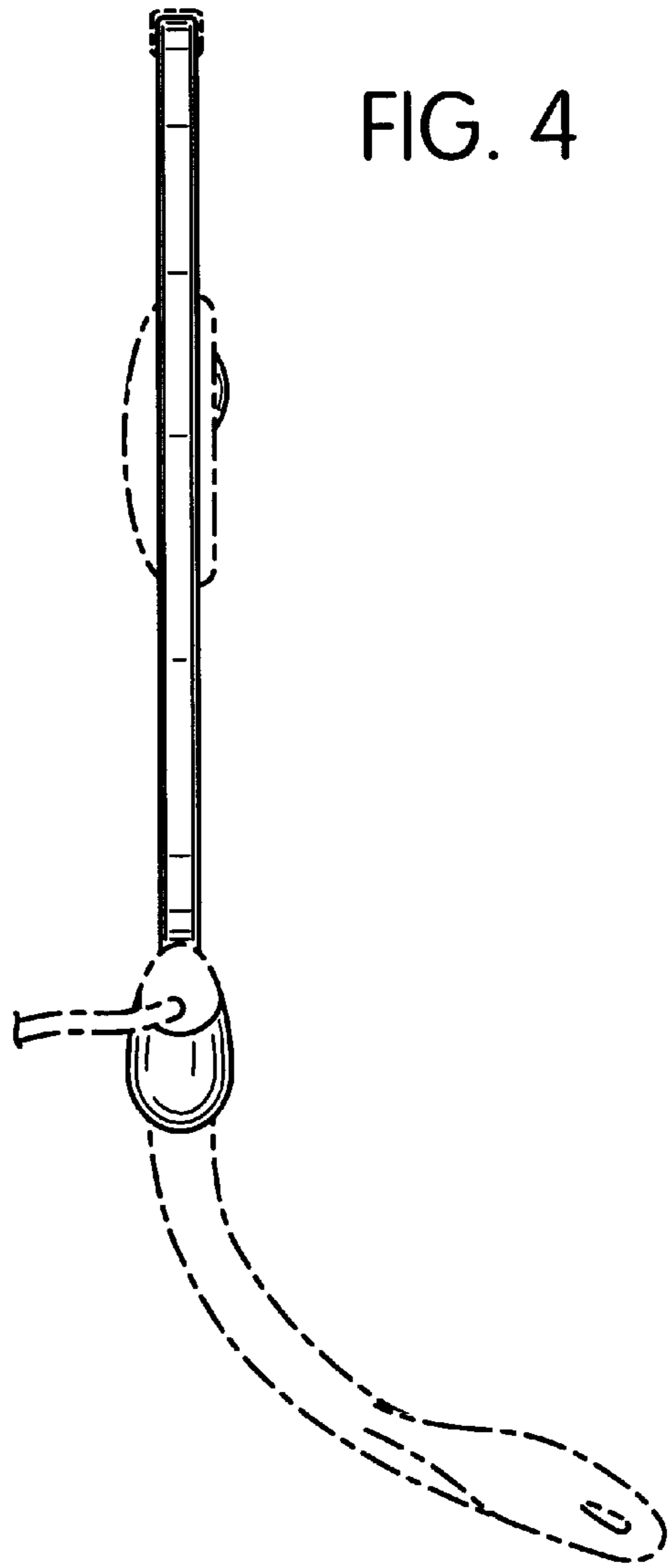


FIG. 5

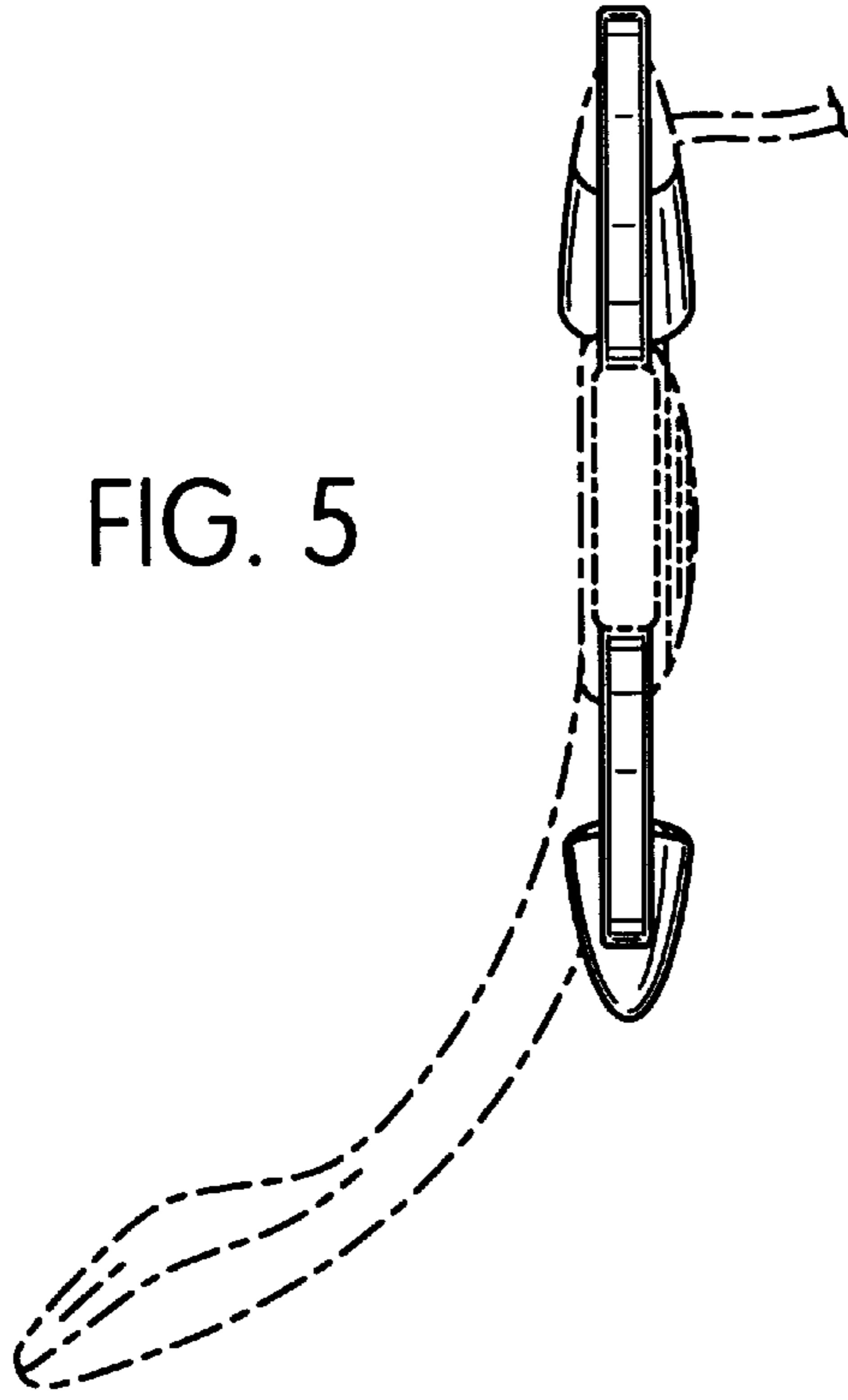


FIG. 6

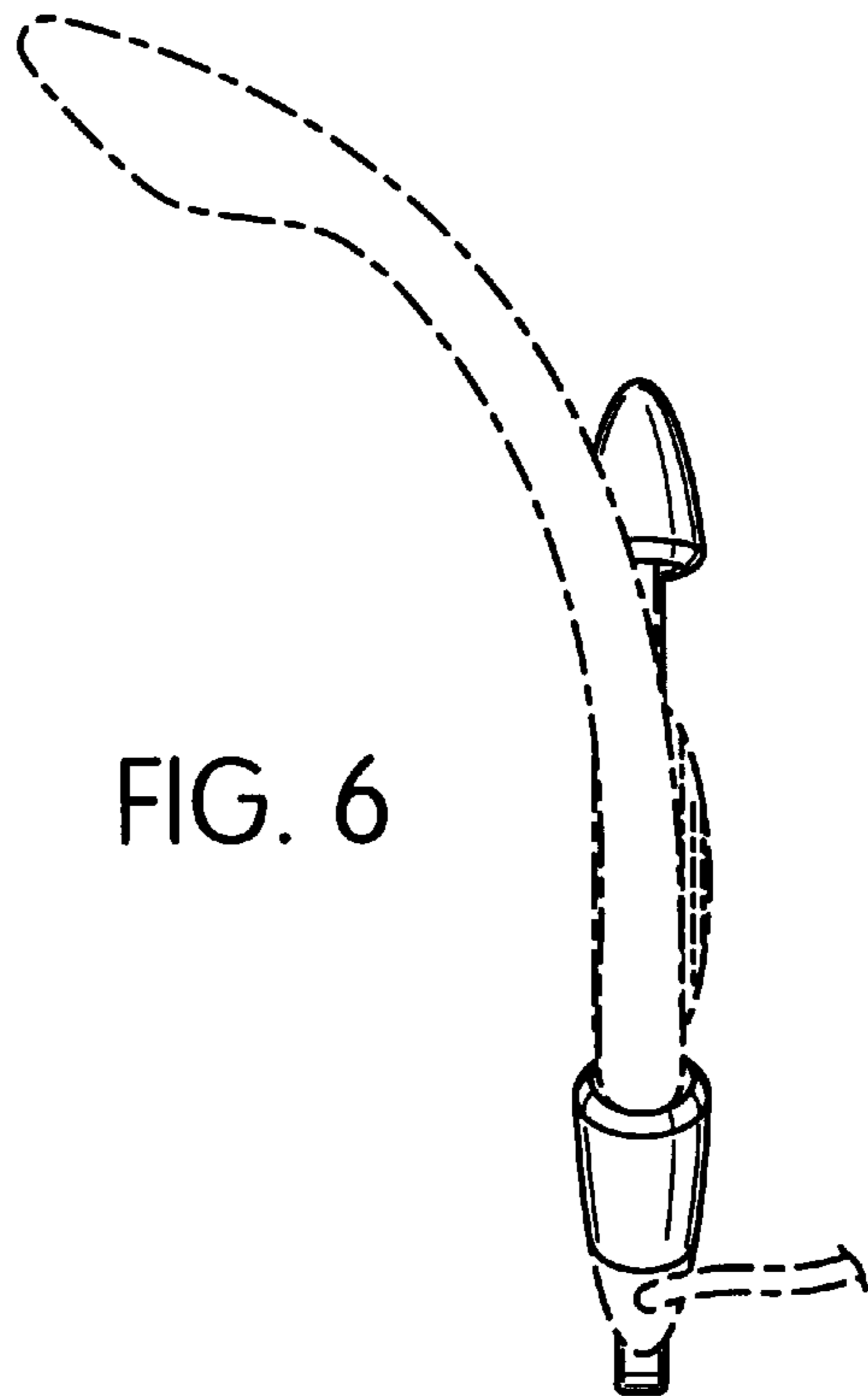


FIG. 7

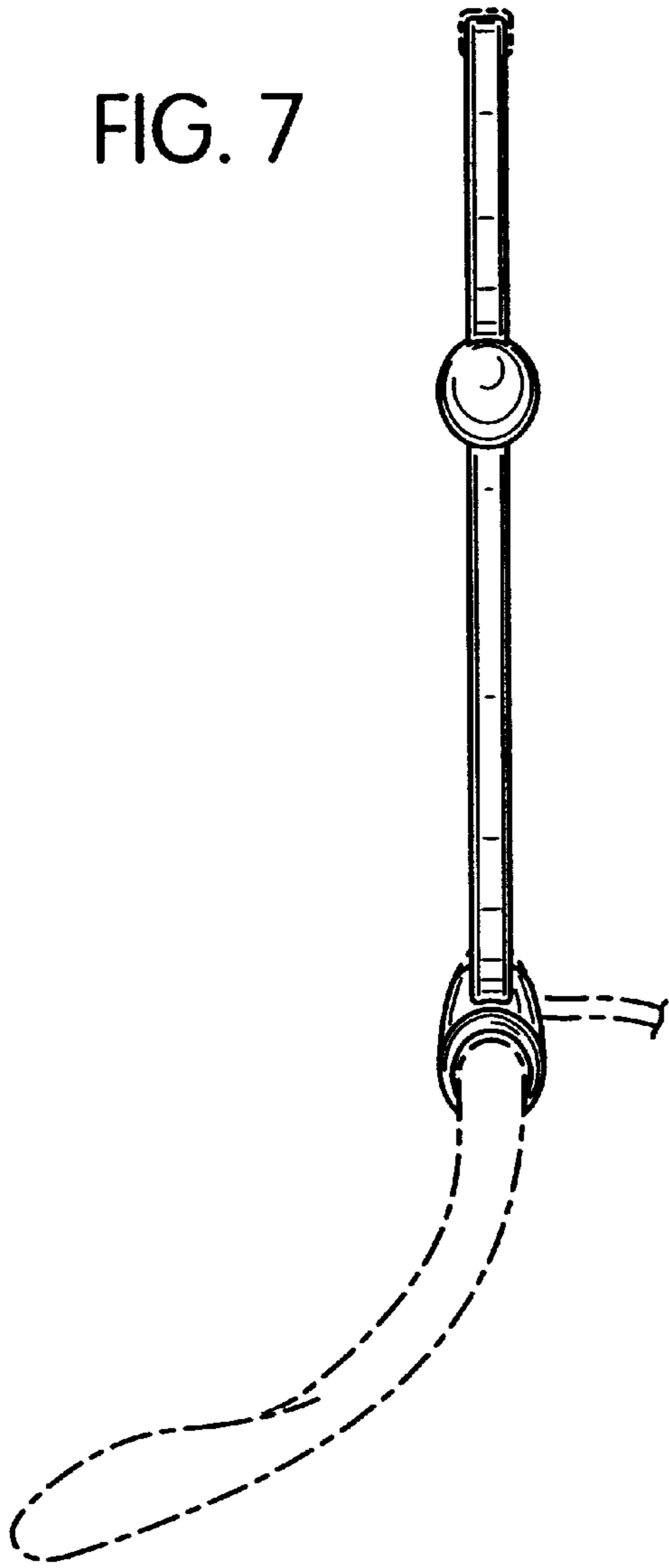
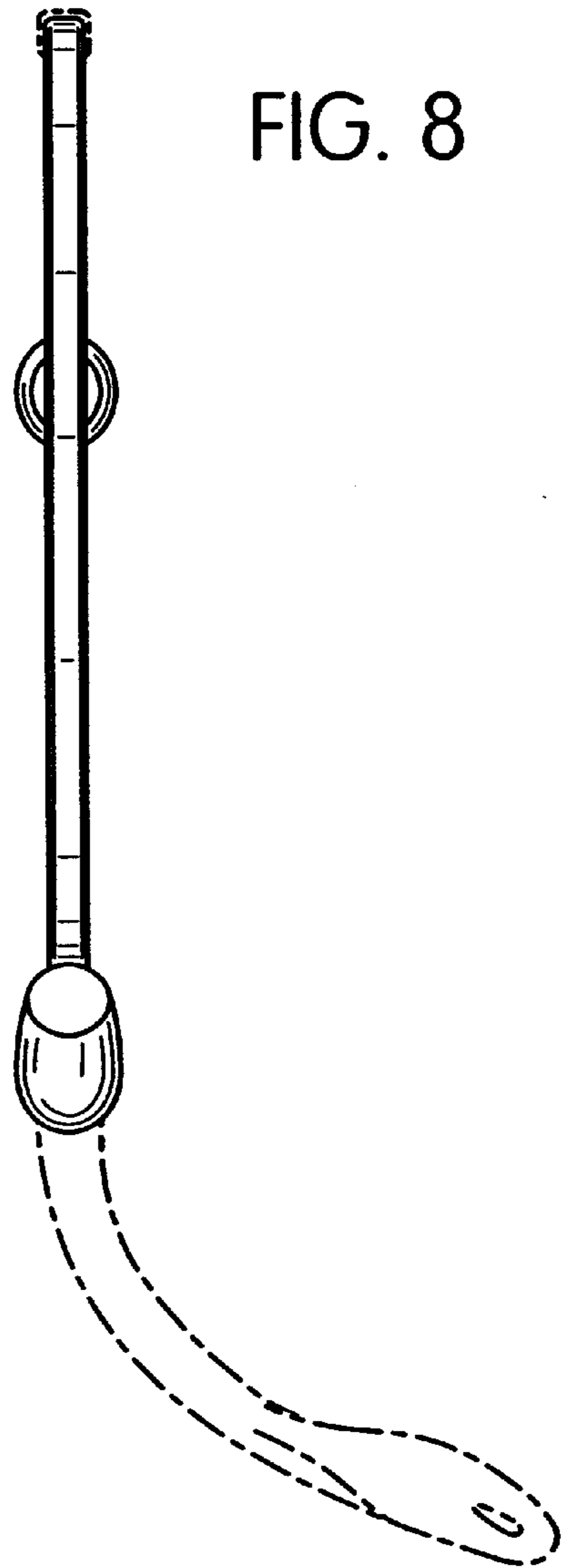


FIG. 8



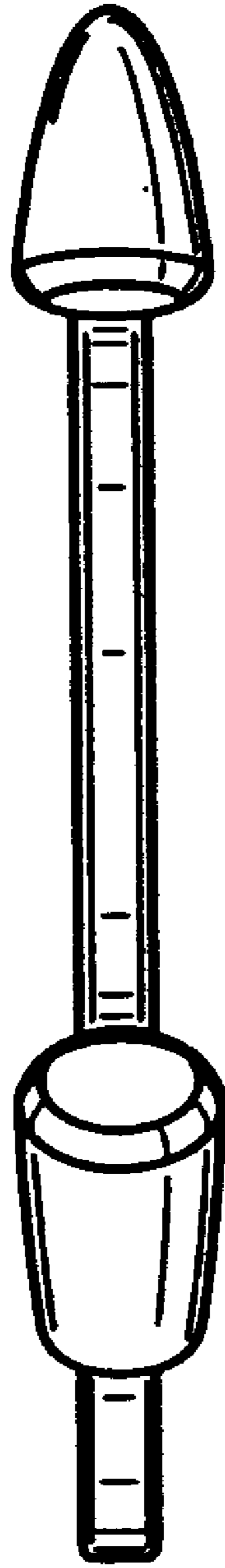


FIG. 9