



US00D441737S

(12) **United States Design Patent**
Chan

(10) **Patent No.:** **US D441,737 S**

(45) **Date of Patent:** **** May 8, 2001**

(54) **CD/CASSETTE PLAYER**

(75) **Inventor:** **Thomas Kwok Man Chan, Shatin (HK)**

(73) **Assignee:** **Alco Electronics Limited, Quarry Bay (HK)**

(**) **Term:** **14 Years**

(21) **Appl. No.:** **29/121,498**

(22) **Filed:** **Apr. 10, 2000**

(30) **Foreign Application Priority Data**

Oct. 28, 1999 (GB) 2087772

(51) **LOC (7) Cl.** **14-01**

(52) **U.S. Cl.** **D14/162; D14/168**

(58) **Field of Search** D14/156, 160-168, D14/188, 193-198; 369/75.1, 75.2, 77.1, 77.2; 455/344, 345, 347-351

(56) **References Cited**

U.S. PATENT DOCUMENTS

D. 365,823 * 1/1996 Borgonovo D14/168

D. 381,983 * 8/1997 Nagai D14/168

D. 408,407 * 4/1999 Ito et al. D14/156

4,195,844 * 4/1980 Okamura et al. 369/77.2 X

4,398,281 * 8/1983 Hughes 369/77.1

* cited by examiner

Primary Examiner—Nanda Bondade

(74) *Attorney, Agent, or Firm*—Leydig, Voit & Mayer, Ltd.

(57) **CLAIM**

The ornamental design for a CD/cassette player, as shown and described.

DESCRIPTION

FIG. 1 is a front, right side and top perspective view of a CD/cassette player showing my new design;

FIG. 2 is a top plan view thereof;

FIG. 3 is a front elevational view thereof;

FIG. 4 is a rear elevational view thereof;

FIG. 5 is a right side elevational view thereof; and,

FIG. 6 is a left side elevational view thereof.

1 Claim, 5 Drawing Sheets

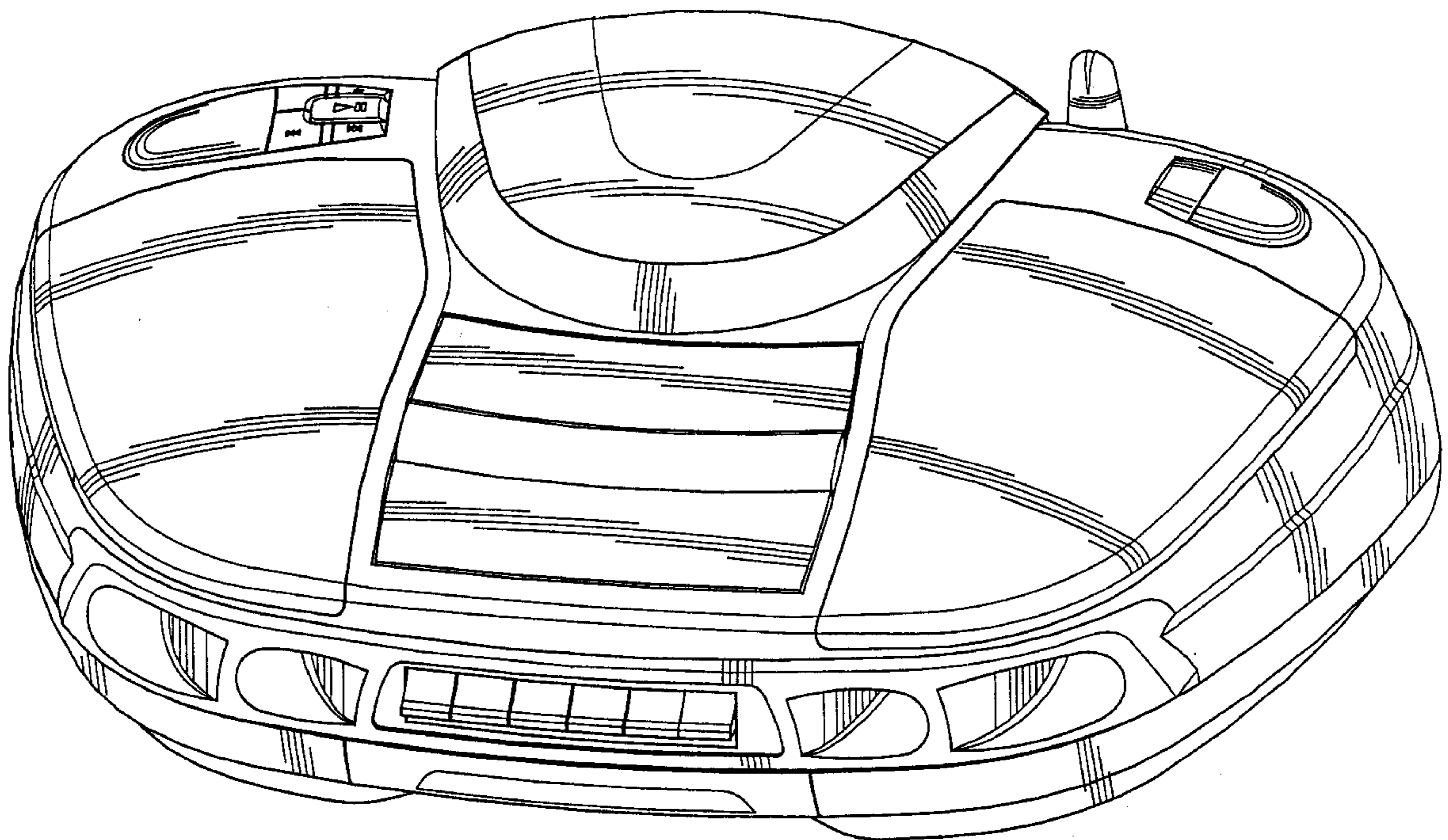


FIG. 1

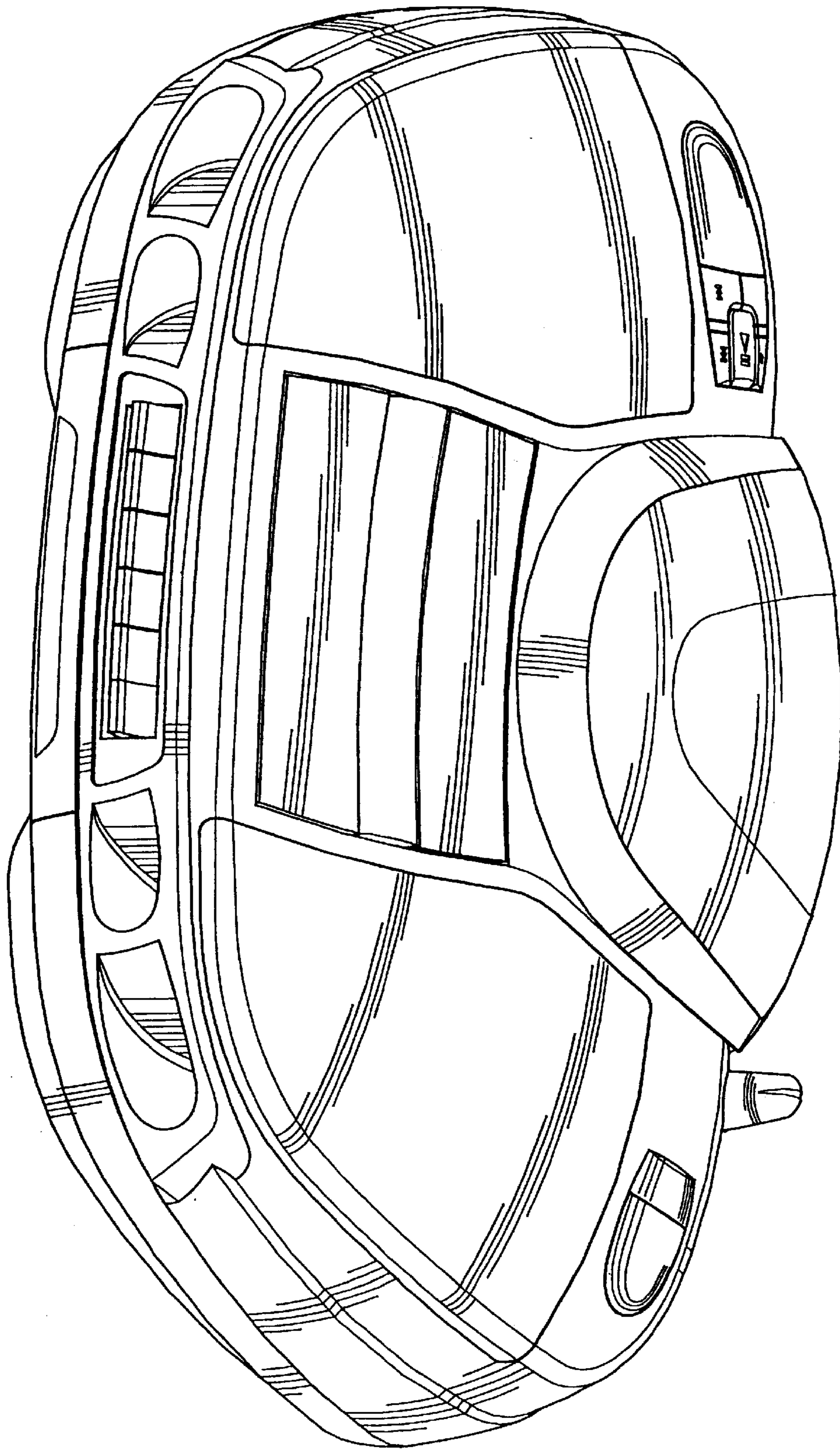


FIG. 2

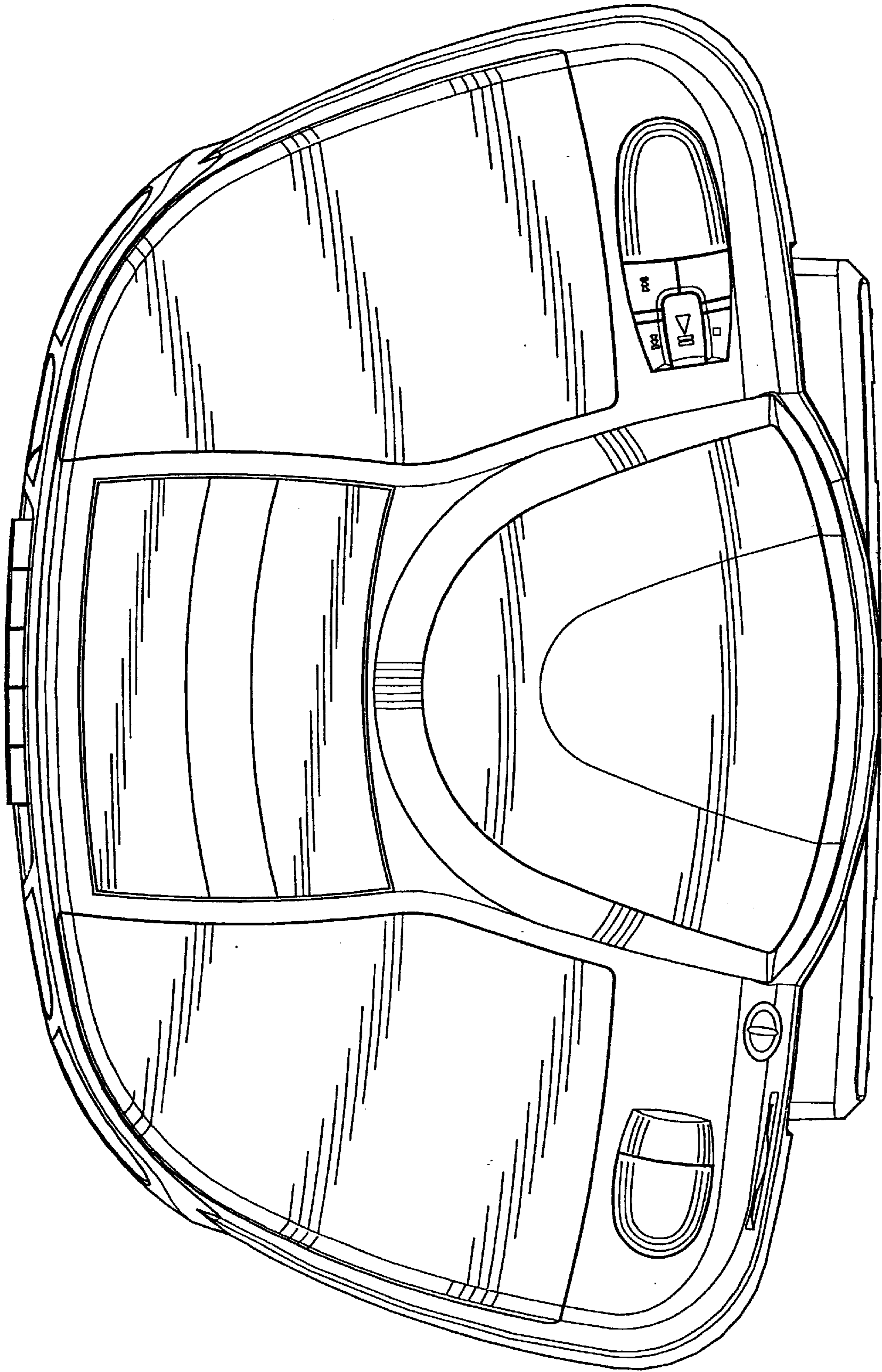


FIG. 3

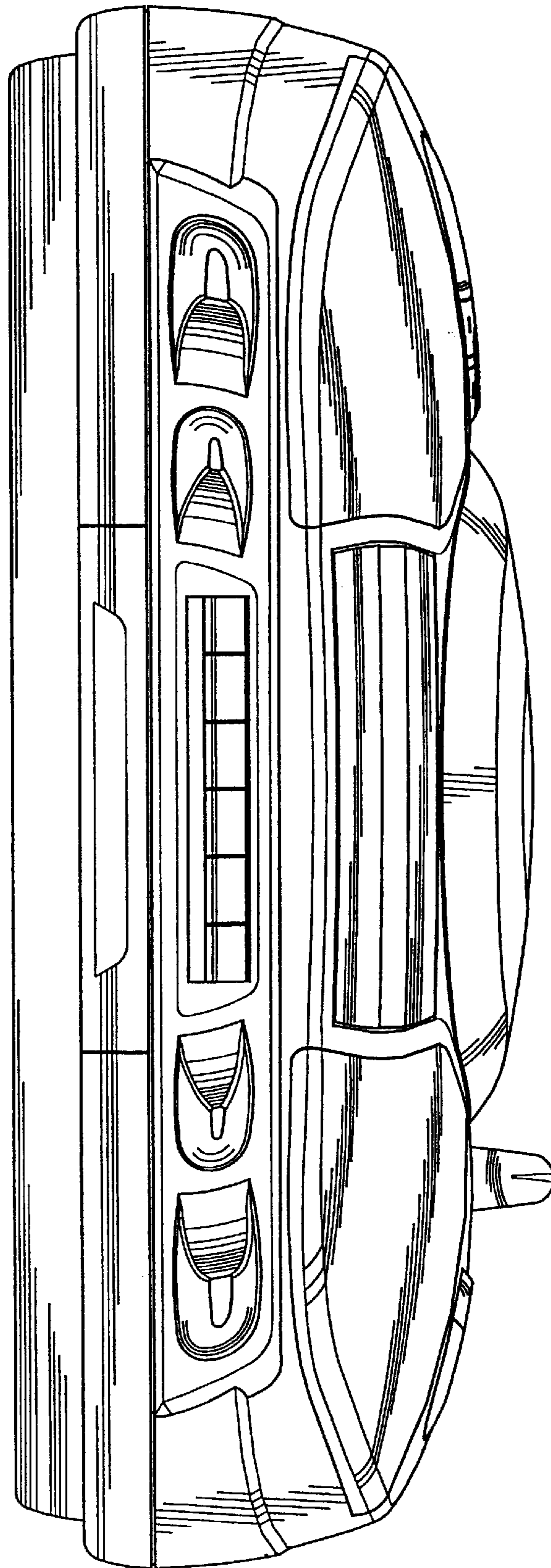


FIG. 4

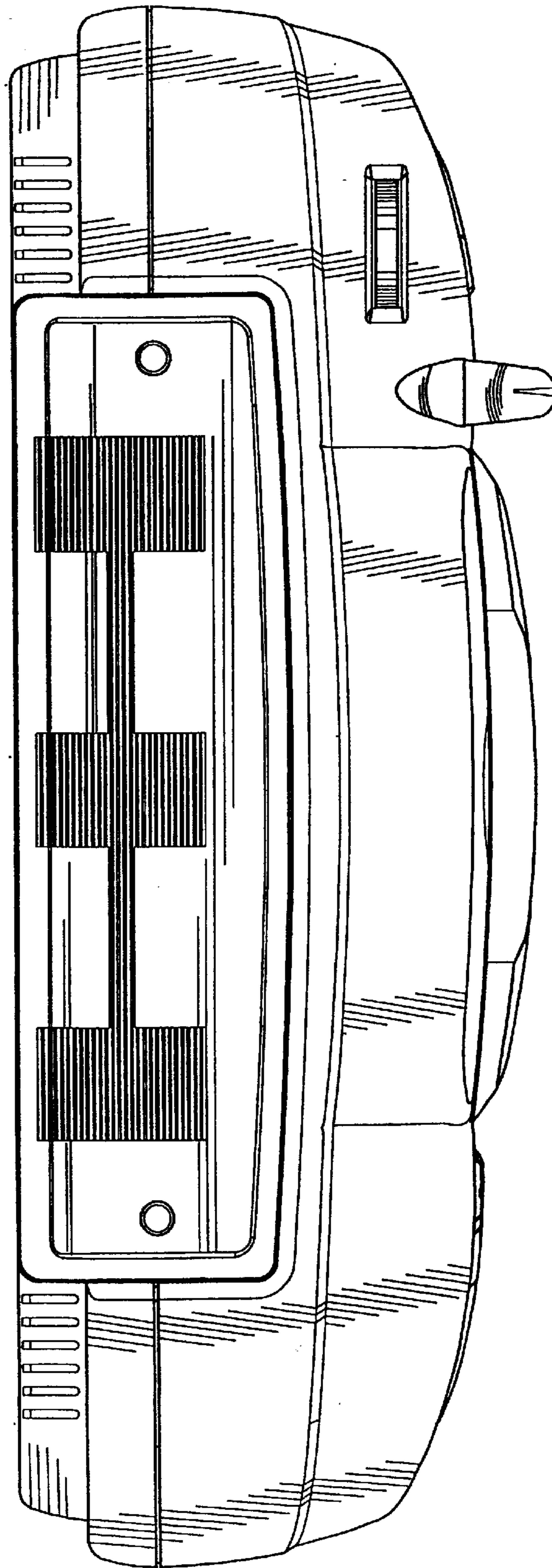


FIG. 5

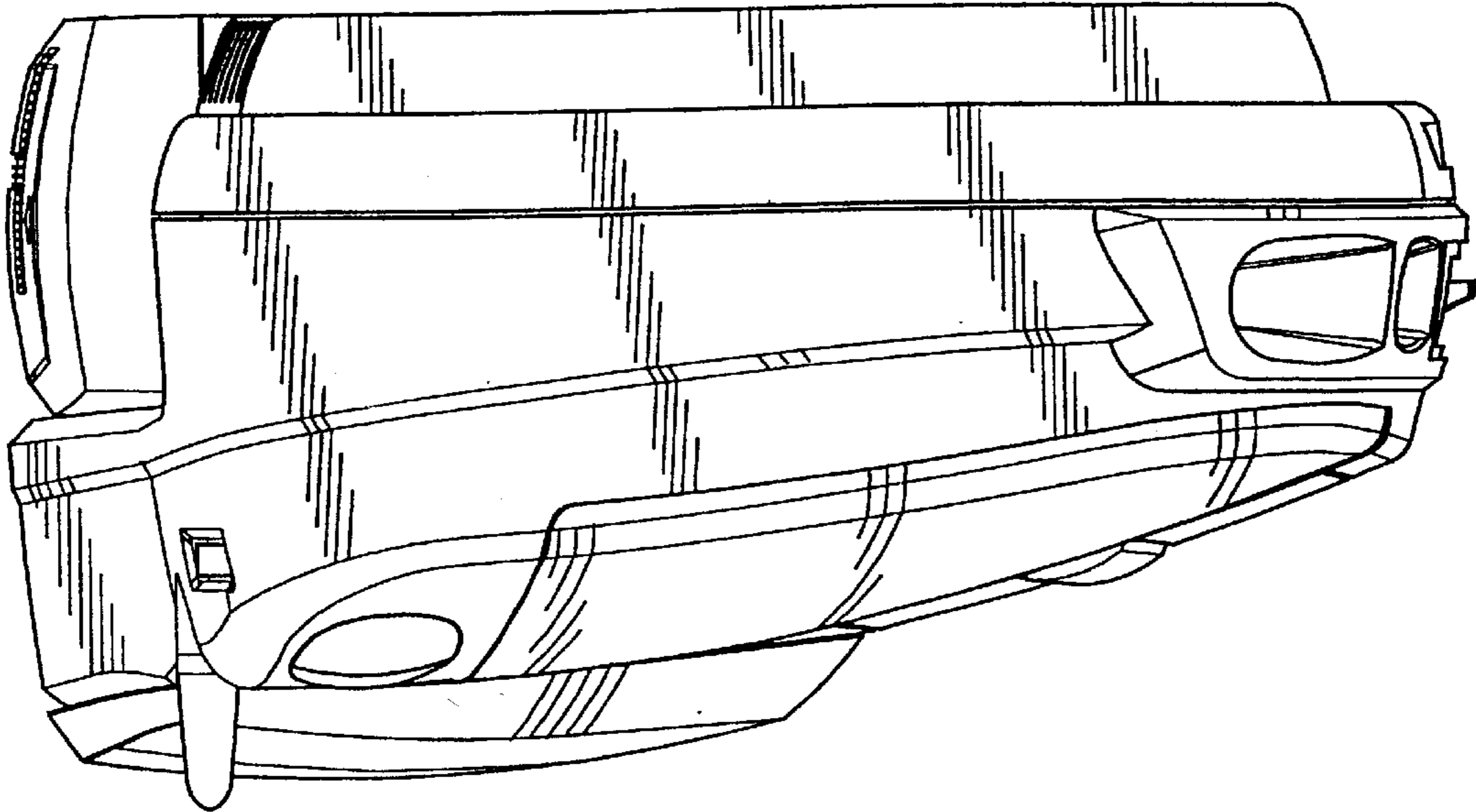


FIG. 6

