



US00D441732S

(12) **United States Design Patent**
Ota

(10) **Patent No.:** **US D441,732 S**

(45) **Date of Patent:** **** May 8, 2001**

(54) **TELEVISION RECEIVER**

D. 431,537 * 10/2000 Saeki et al. D14/126

(75) Inventor: **Kiyoshi Ota**, Tokyo (JP)

OTHER PUBLICATIONS

(73) Assignee: **Sony Corporation**, Tokyo (JP)

Catalog "90", pp. 30 & 31, Sony Nov. 1998.

(**) Term: **14 Years**

* cited by examiner

(21) Appl. No.: **29/128,399**

Primary Examiner—Raphael Barkai

(22) Filed: **Aug. 24, 2000**

(74) *Attorney, Agent, or Firm*—Rader, Fishman & Grauer

(51) **LOC (7) Cl.** **14-03**

(52) **U.S. Cl.** **D14/126**

(58) **Field of Search** D14/126-134,
D14/371, 374; 312/7.2; 348/836, 838

(57) **CLAIM**

The ornamental design for a television receiver, as shown and described.

DESCRIPTION

(56) **References Cited**

FIG. 1 is a top, front perspective view of a television receiver showing my new design;
FIG. 2 is a top plan view thereof;
FIG. 3 is a bottom plan view thereof;
FIG. 4 is a left side elevational view thereof;
FIG. 5 is a right side elevational view thereof;
FIG. 6 is a front elevational view thereof; and,
FIG. 7 is a rear elevational view thereof.

U.S. PATENT DOCUMENTS

D. 380,213	6/1997	Morimiya	D14/126
D. 393,462	4/1998	Sumita	D14/202
D. 411,842	7/1999	Ota	D14/126
D. 417,659	* 12/1999	Takemasa	D14/126
D. 422,978	* 4/2000	Hirota	D14/126
D. 424,068	* 5/2000	Takemasa	D14/374

1 Claim, 4 Drawing Sheets

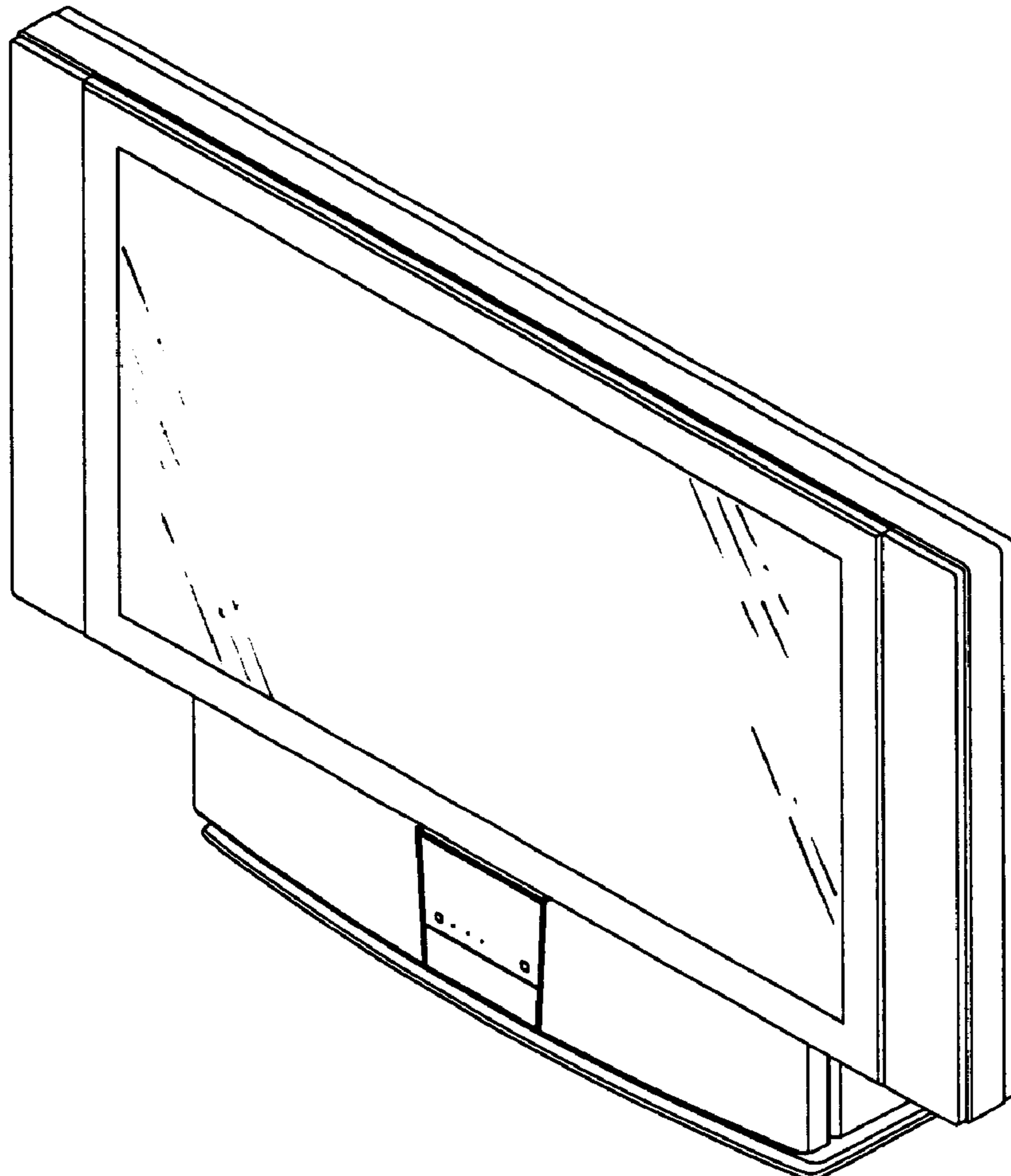


FIG. 1

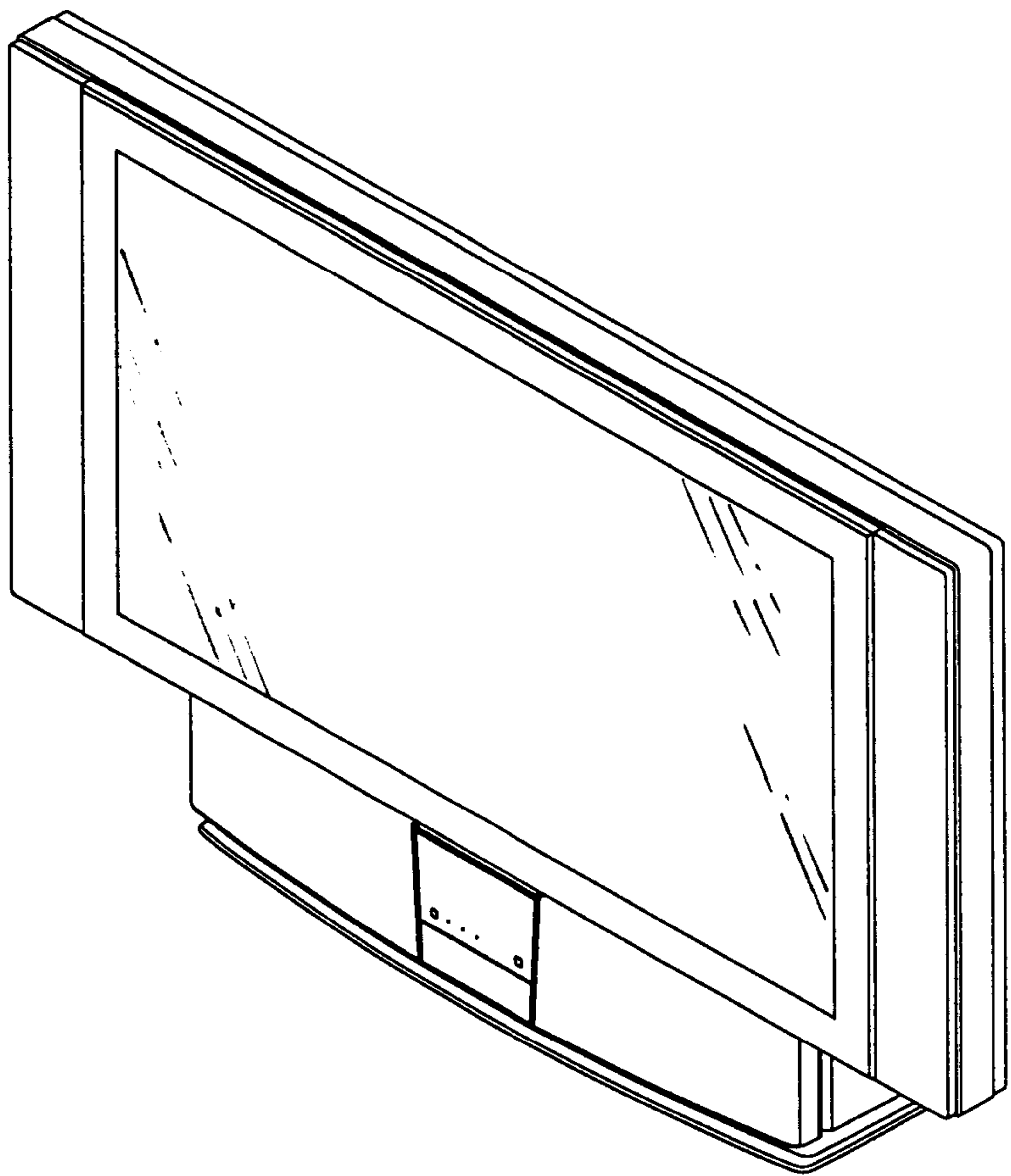


FIG. 2

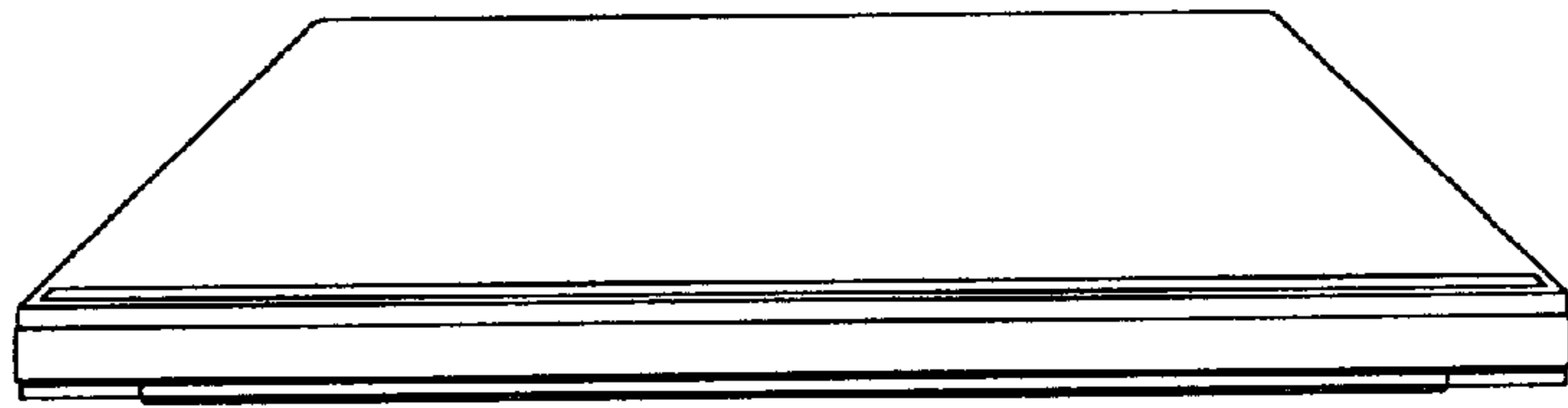


FIG. 3

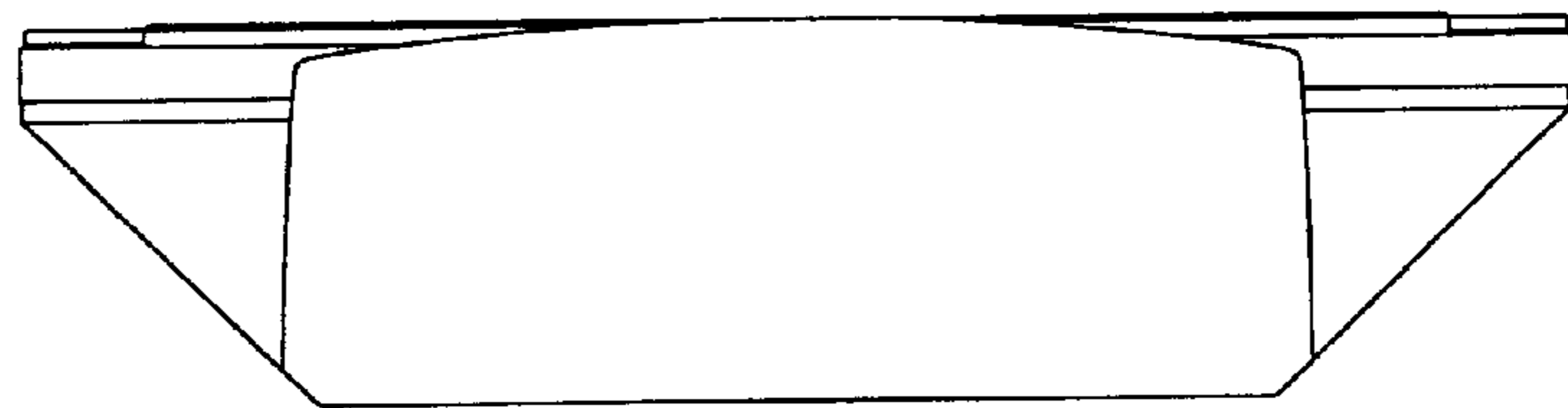


FIG. 4

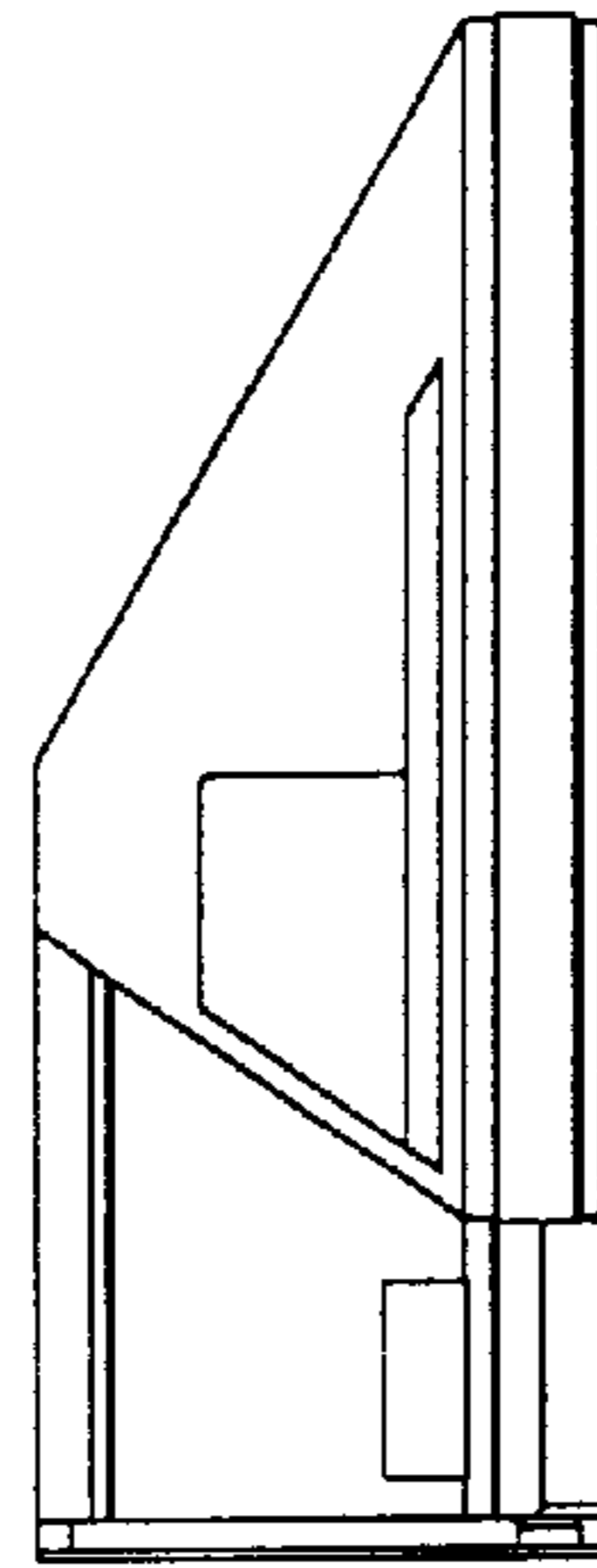


FIG. 5

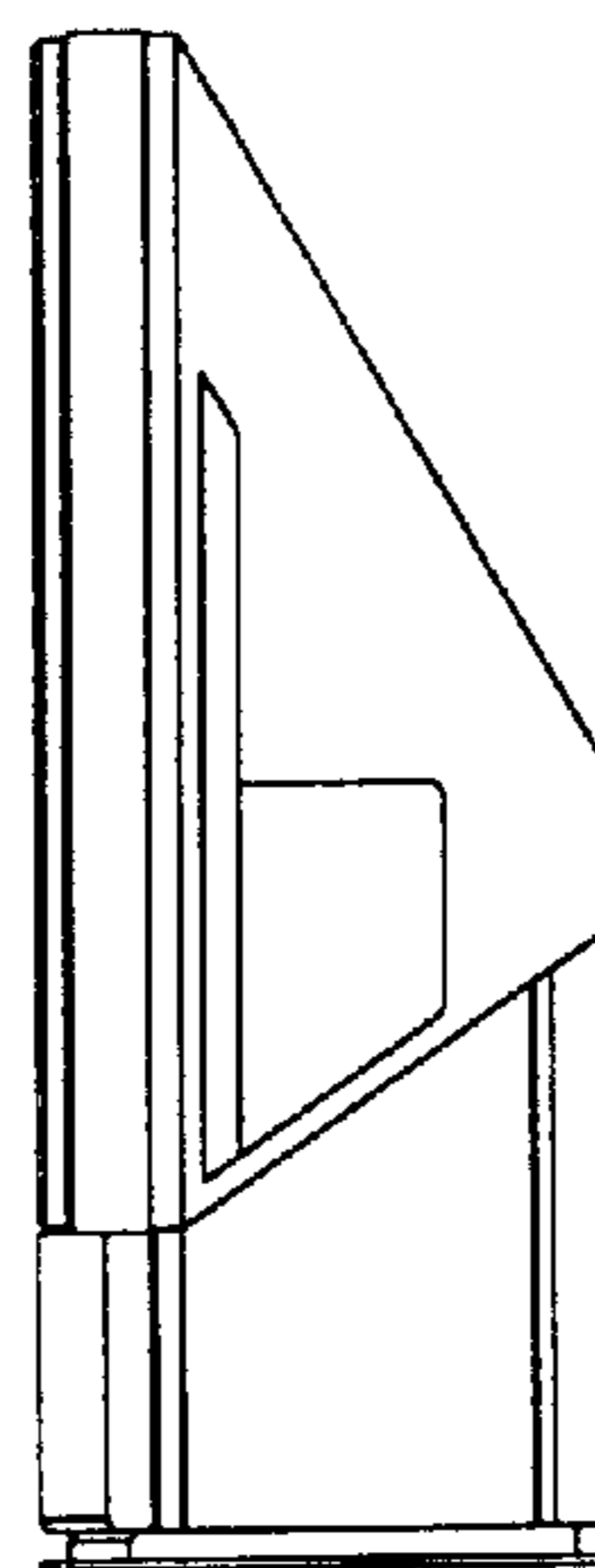


FIG. 6

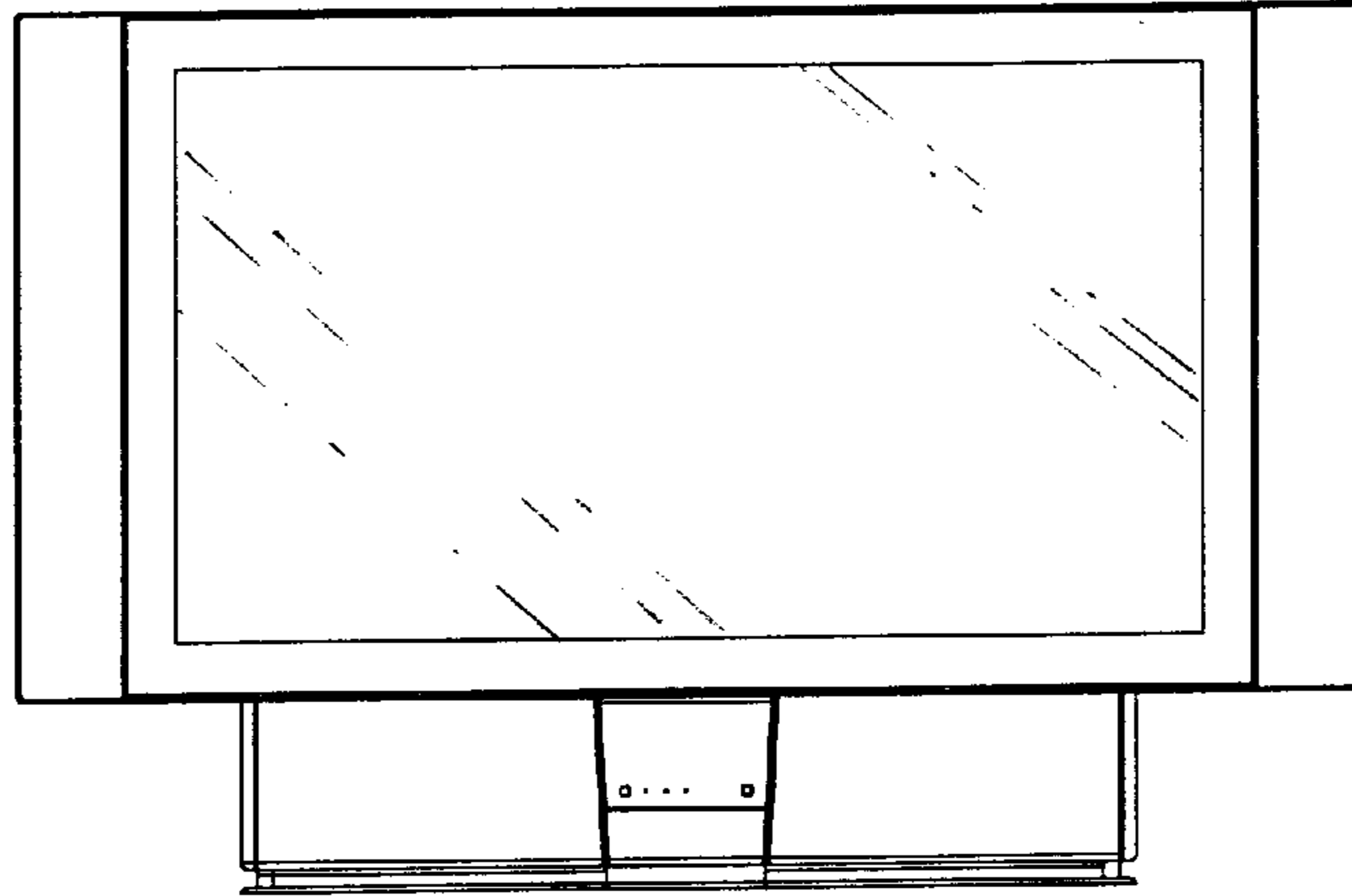


FIG. 7

