



US00D441731S

(12) **United States Design Patent**
Arhos et al.

(10) **Patent No.:** **US D441,731 S**

(45) **Date of Patent:** **** May 8, 2001**

(54) **SET TOP BOX FRONT PANEL**

(75) Inventors: **Kostas H. Arhos**, Beecher; **Andrew J. Kandalepas**, Schaumburg, both of IL (US)

(73) Assignee: **Dauphin Technology, Inc.**, Palatine, IL (US)

(**) Term: **14 Years**

(21) Appl. No.: **29/132,533**

(22) Filed: **Nov. 10, 2000**

(51) **LOC (7) Cl.** **14-03**

(52) **U.S. Cl.** **D14/125**

(58) **Field of Search** D14/299, 356, D14/361-363, 365, 496, 125, 135, 136, 239; 348/10, 460; 361/690-696; 312/208.1, 223.2

(56) **References Cited**

U.S. PATENT DOCUMENTS

- D. 368,085 * 3/1996 Mittal et al. D14/239
- D. 386,174 * 11/1997 Boyd et al. D14/125

- D. 396,856 * 8/1998 Oba D14/125
- D. 413,333 * 8/1999 Kitajima et al. D14/125
- D. 426,212 * 6/2000 Storti et al. D14/125
- D. 433,020 * 10/2000 Silbermann et al. D14/356
- D. 434,737 * 12/2000 Jensen et al. D14/125

* cited by examiner

Primary Examiner—Raphael Barkai

(74) *Attorney, Agent, or Firm*—Leydig, Voit & Mayer, Ltd.

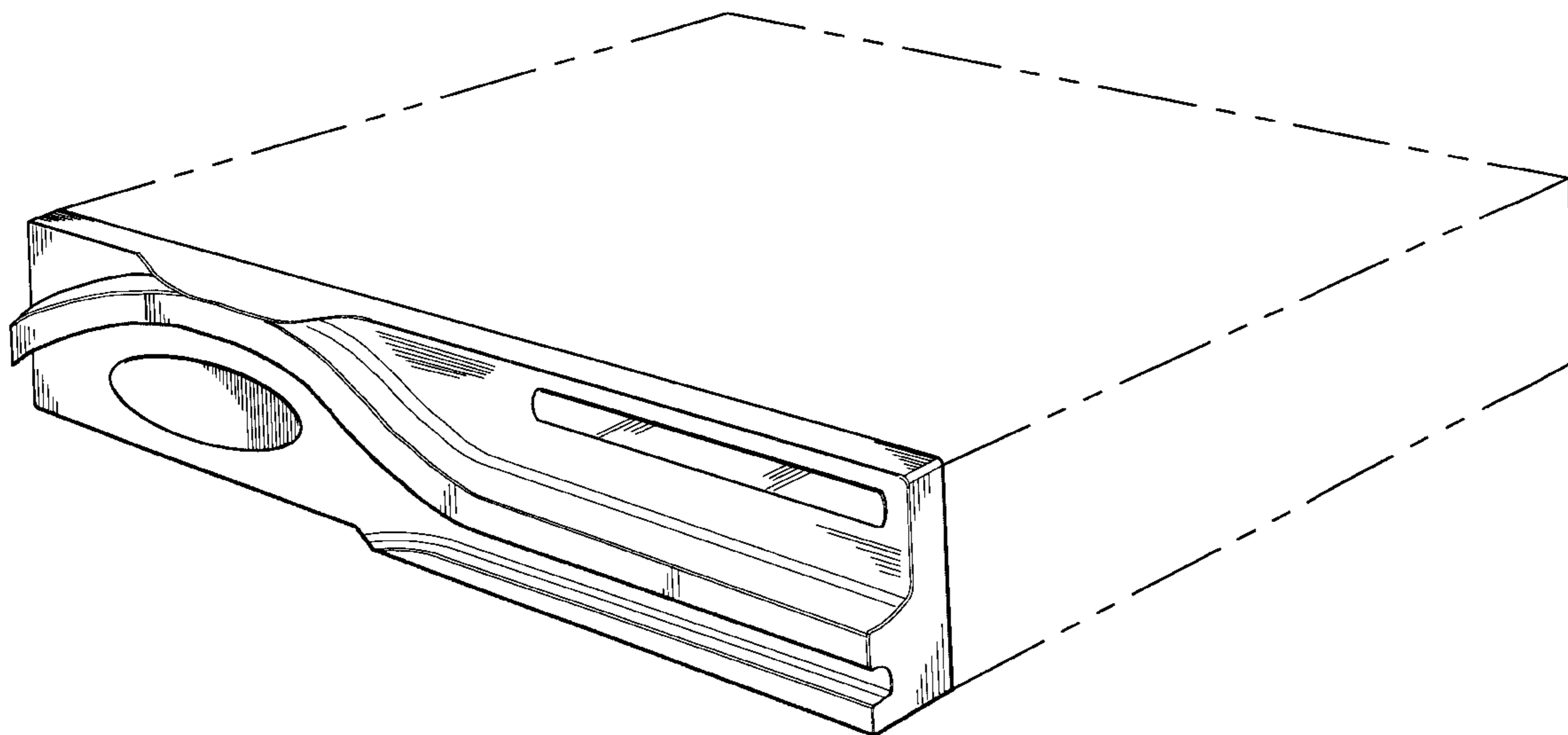
(57) **CLAIM**

The ornamental design for a set top box front panel, as shown and described.

DESCRIPTION

FIG. 1 is a right front perspective view of a set top box front panel showing our new design, the dotted portion is for reference only and does not form a part of our design;
 FIG. 2 is a top plan view thereof;
 FIG. 3 is a bottom plan view thereof;
 FIG. 4 is right end plan view thereof; and,
 FIG. 5 is a left end plan view thereof.
 The back side not shown does not form a part of our design.

1 Claim, 2 Drawing Sheets



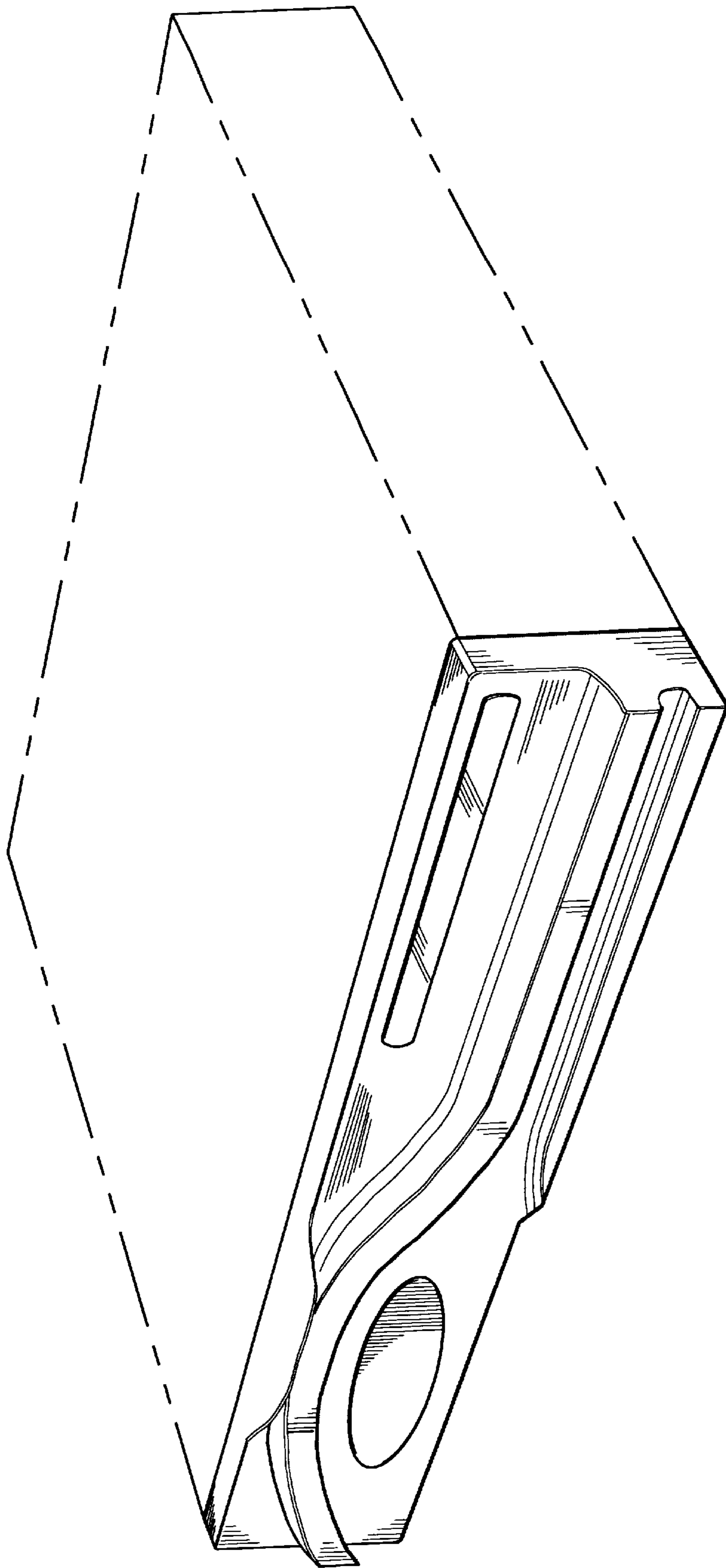


FIG. 1

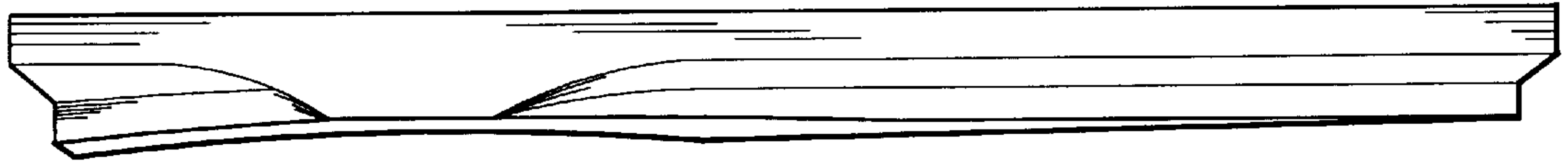


FIG. 2

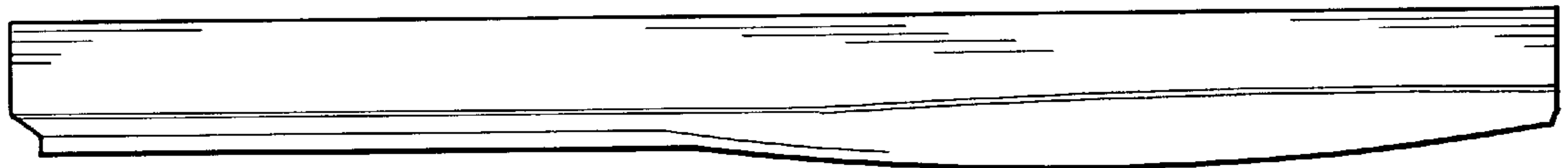


FIG. 3

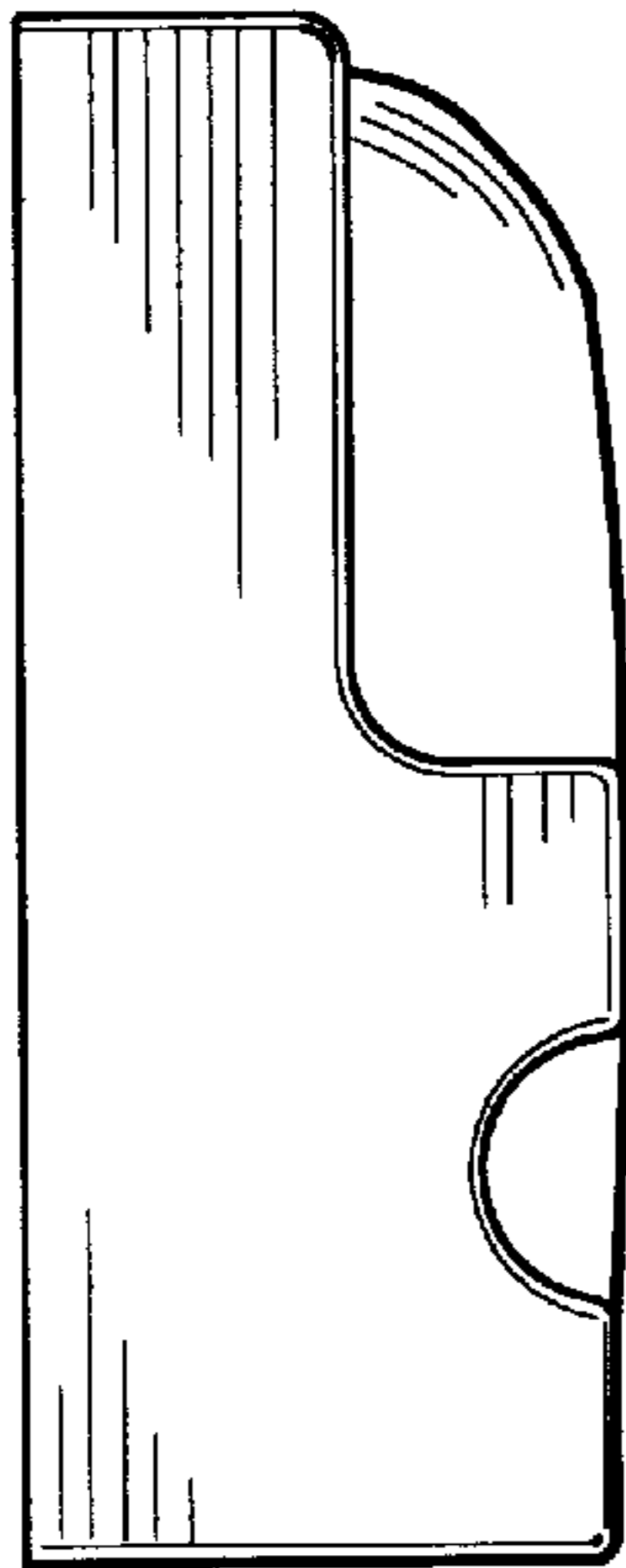


FIG. 4

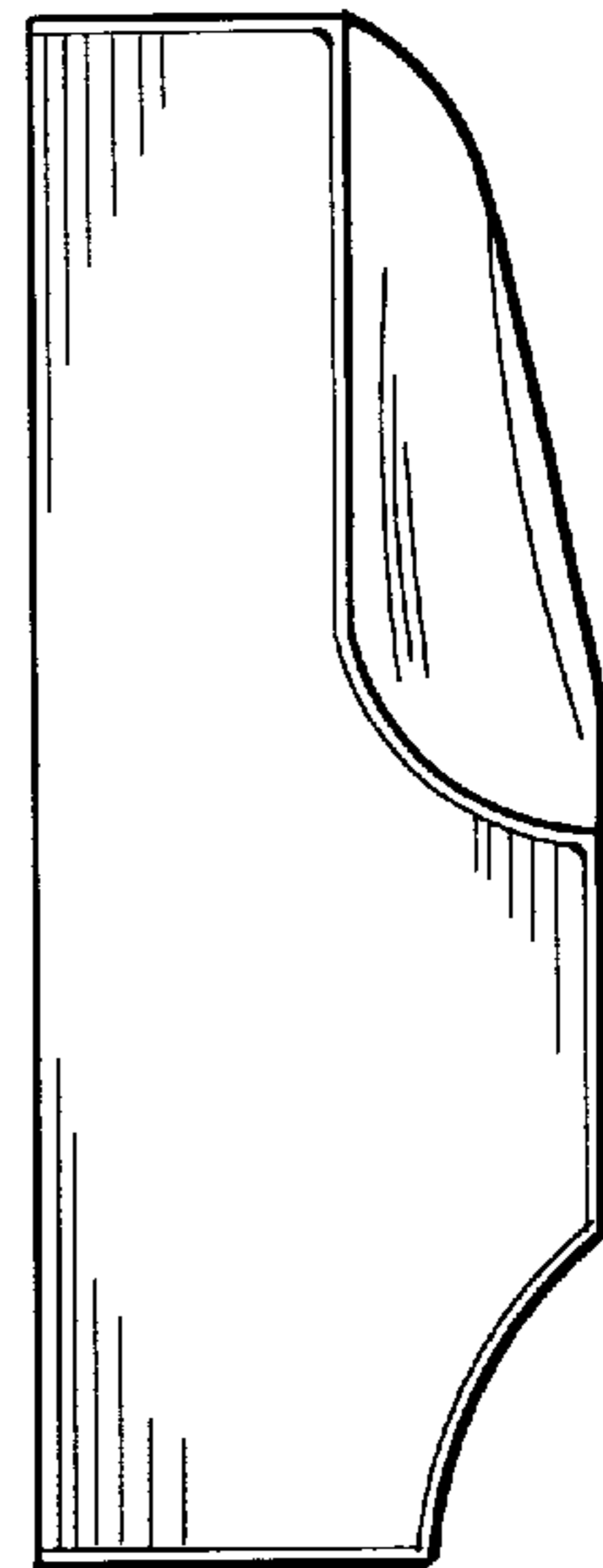


FIG. 5