



US00D441719S

(12) **United States Design Patent**
Lew

(10) **Patent No.:** **US D441,719 S**

(45) **Date of Patent:** **** May 8, 2001**

(54) **WALL ACCESS PANEL COVER PLATE**

(75) Inventor: **Wing G. Lew**, Los Angeles, CA (US)

(73) Assignee: **Sachwin Products, Inc.**, Torrance, CA (US)

(**) Term: **14 Years**

(21) Appl. No.: **29/130,789**

(22) Filed: **Oct. 6, 2000**

3,155,808	*	11/1964	Wiley	174/66	X
3,438,534	*	4/1969	Zerwes	220/241	
3,619,477	*	11/1971	Rasmussen	174/56	
3,910,448	*	10/1975	Evans et al.	220/3.8	
4,359,619	*	11/1982	Bergoltz	200/333	
4,988,832	*	1/1991	Shotey	174/67	
5,162,612	*	11/1992	Naka et al.	174/48	
5,375,728	*	12/1994	West	220/3.8	
5,379,912	*	1/1995	Wolf	220/241	X
5,845,803	*	12/1998	Saito et al.	220/378	
6,051,787	*	4/2000	Rintz	174/66	

* cited by examiner

Related U.S. Application Data

(62) Division of application No. 29/116,414, filed on Jan. 3, 2000.

(51) **LOC (7) Cl.** **13-03**

(52) **U.S. Cl.** **D13/152**

(58) **Field of Search** D13/152, 156;
D8/353; 174/66, 67, 48, 65 R; 220/3.8,
241, 266

Primary Examiner—Joel Sincavage

(74) *Attorney, Agent, or Firm*—Frederick Gotha

(57) **CLAIM**

The ornamental design for a wall access panel cover plate, as shown and described.

DESCRIPTION

FIG. 1 is a perspective view of a wall access panel cover plate showing my new design;
FIG. 2 is a top plan view thereof;
FIG. 3 is a front elevational plan view thereof;
FIG. 4 is a right side elevational view thereof and is a mirror image of the left side elevational view; and,
FIG. 5 is a bottom plan view thereof.

(56) **References Cited**

U.S. PATENT DOCUMENTS

D. 276,311	*	11/1984	Cournoyer et al.	D8/400
D. 298,494	*	11/1988	Mockett	D6/491
D. 335,279	*	5/1993	Parduhn	D13/118
D. 350,530	*	9/1994	Comerci et al.	D8/353
D. 354,903	*	1/1995	Mockett	D8/356

1 Claim, 3 Drawing Sheets

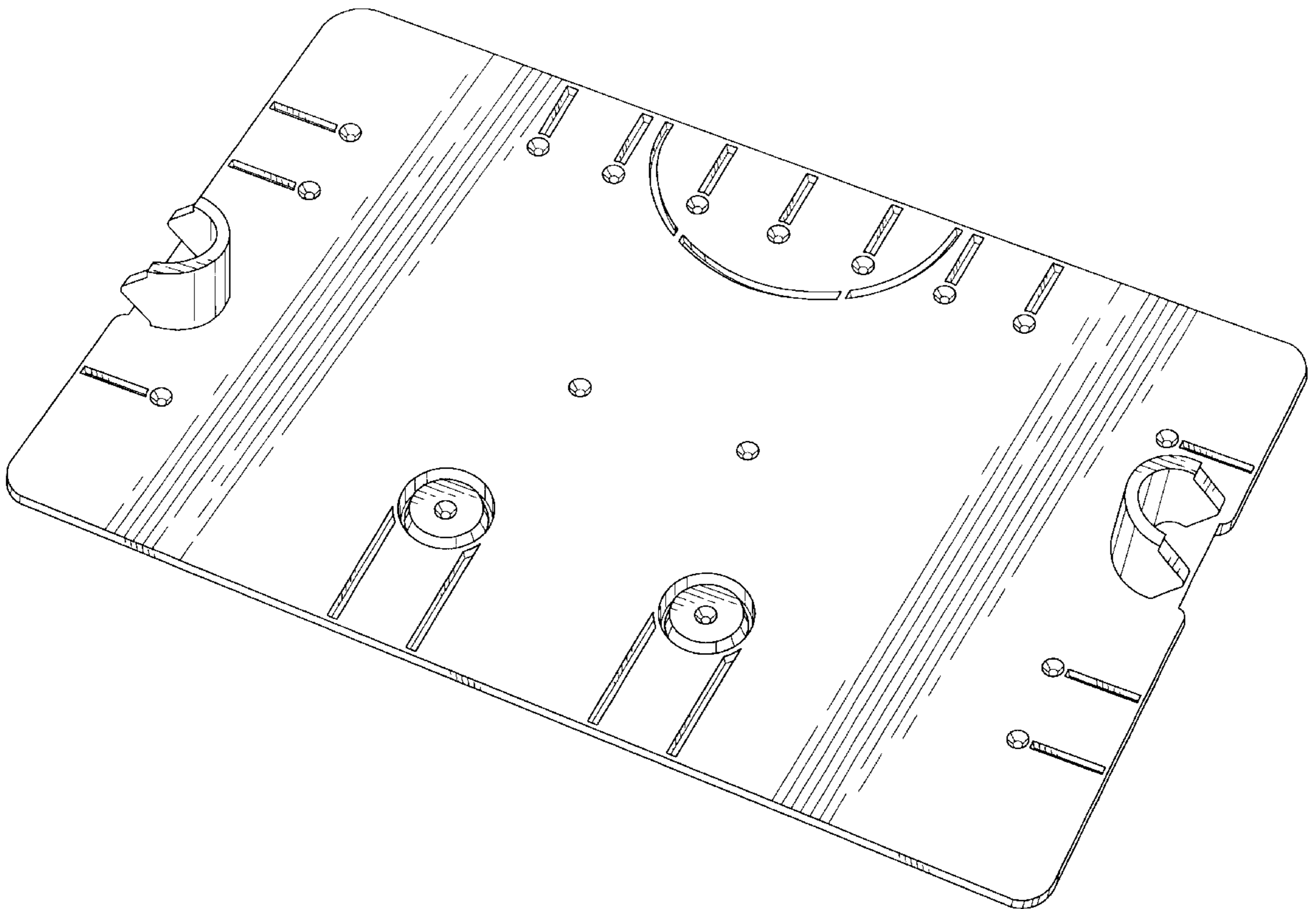


FIG. 1

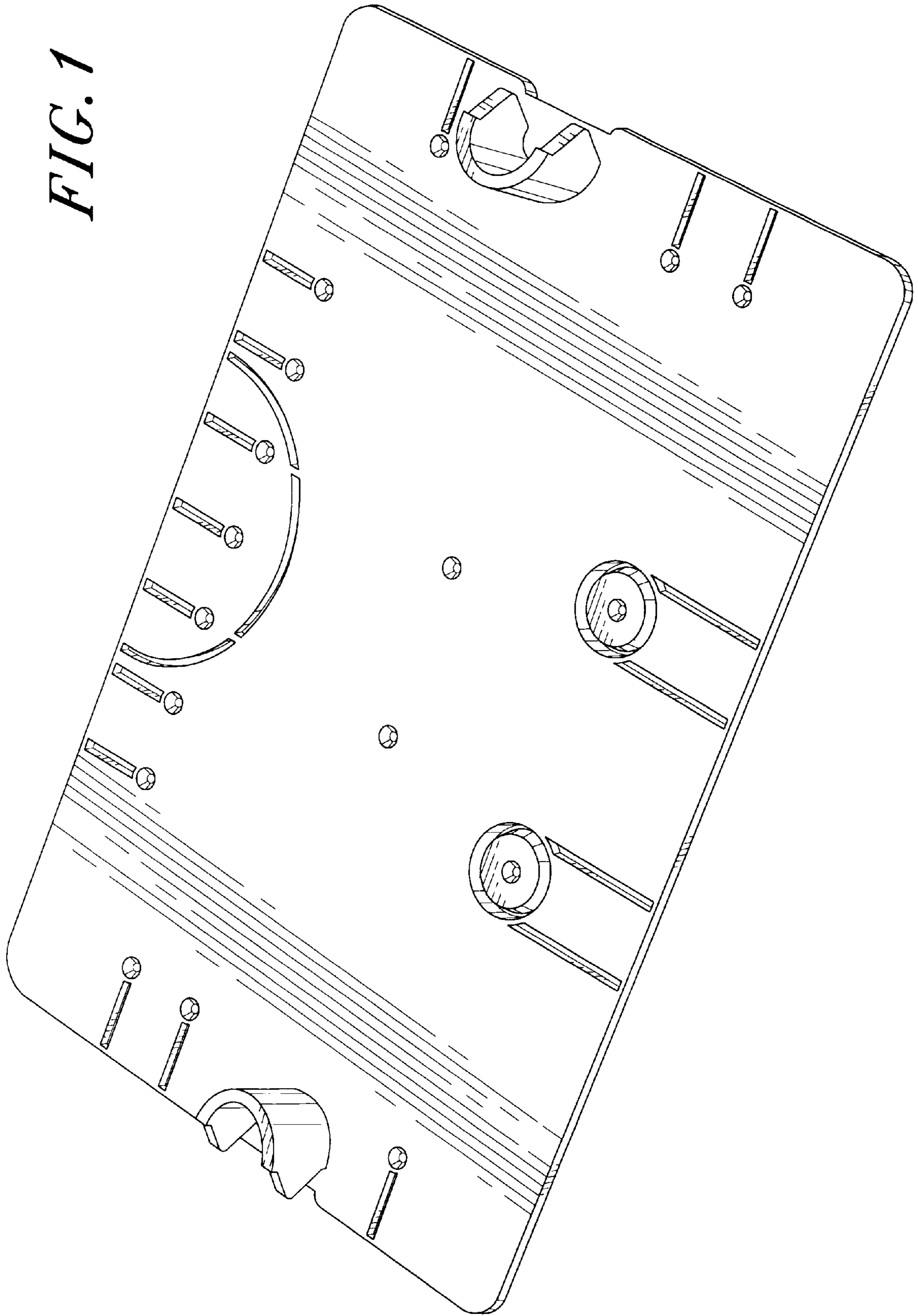


FIG. 4

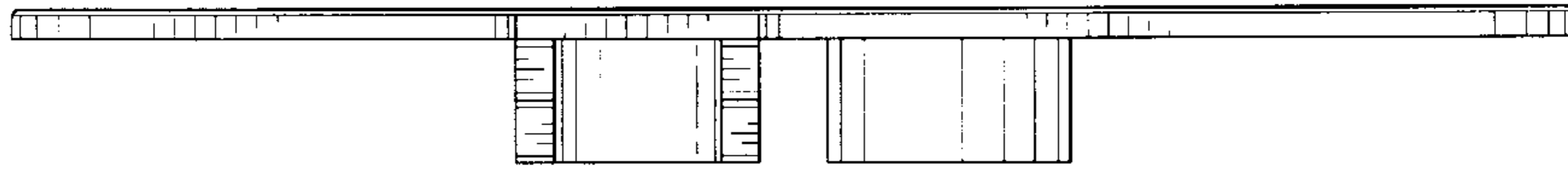


FIG. 2

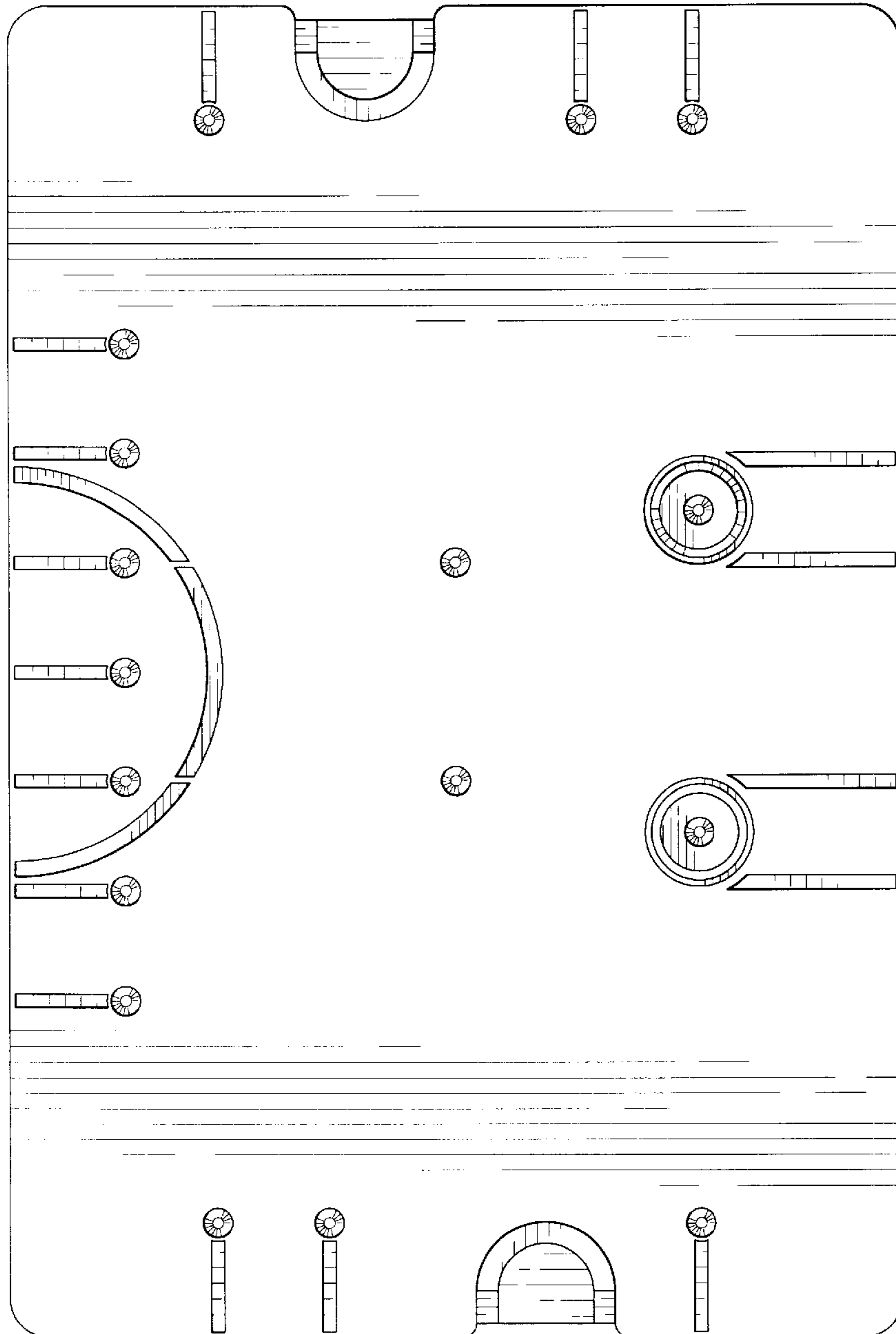


FIG. 3

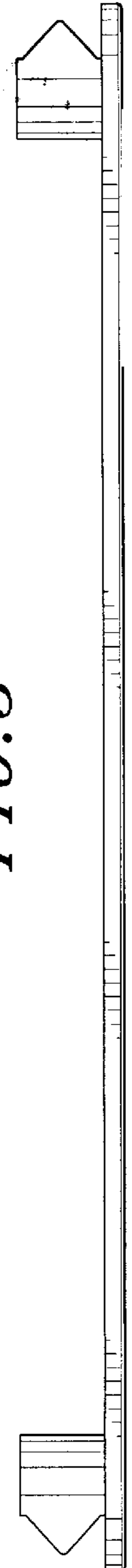


FIG. 5

