



US00D441718S

(12) **United States Design Patent**
Weng et al.

(10) **Patent No.:** **US D441,718 S**

(45) **Date of Patent:** **** May 8, 2001**

(54) **HIGH RISE CONNECTOR**

(75) Inventors: **Yun-Tie Weng; She Min Cai**, both of
Kun-San (CN); Wen-Chung Hsieh;
Yu-Chen Chen, both of **Tu-Chen (TW)**

(73) Assignee: **Hon Hai Precision Ind. Co., Ltd.**,
Taipei Hsien (TW)

(**) Term: **14 Years**

(21) Appl. No.: **29/112,632**

(22) Filed: **Oct. 20, 1999**

(30) **Foreign Application Priority Data**

May 18, 1999 (TW) 88303222

(51) **LOC (7) Cl.** **13-03**

(52) **U.S. Cl.** **D13/147**

(58) **Field of Search** D13/146, 147;
439/357, 626, 540.1, 541.5

(56) **References Cited**

U.S. PATENT DOCUMENTS

D. 411,982 * 7/1999 Huang D13/147

D. 414,161 * 9/1999 Huang D13/147
D. 426,193 * 6/2000 Yeh D13/147
5,336,109 * 8/1994 Hillbish et al. 439/541.5
6,024,601 * 2/2000 Hsu et al. 439/541.5
6,027,370 * 2/2000 Hsu et al. 439/541.5
6,109,948 * 8/2000 Kuo 439/357

* cited by examiner

Primary Examiner—Joel Sincavage

(74) *Attorney, Agent, or Firm*—Wei Te Chung

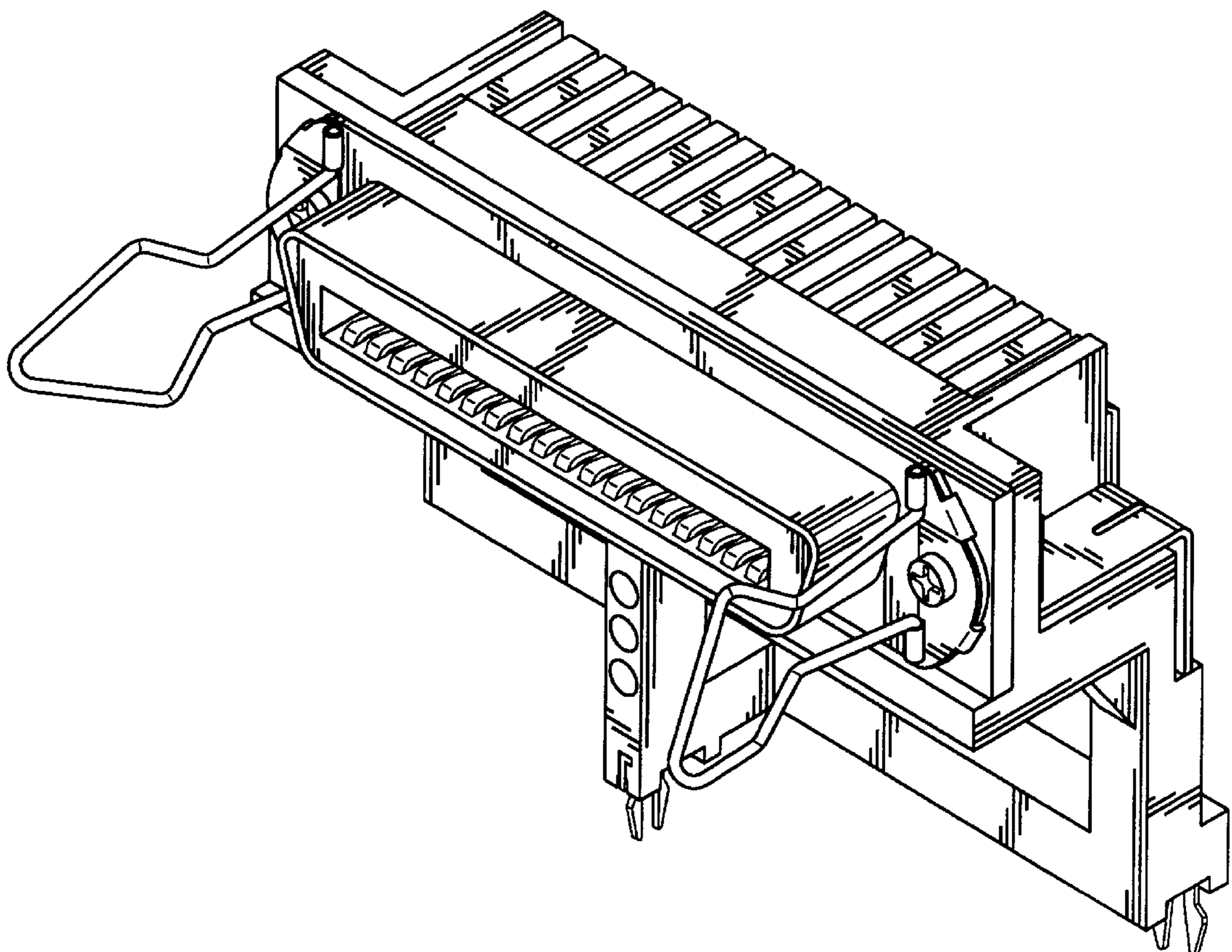
(57) **CLAIM**

The ornamental design for a high rise connector, as shown.

DESCRIPTION

FIG. 1 is a front, top and right side perspective view of a high rise connector showing our new design; FIG. 2 is a front elevational view thereof; FIG. 3 is a rear elevational view thereof; FIG. 4 is a left side elevational view thereof; FIG. 5 is a right side elevational view thereof; FIG. 6 is a top plan view thereof; and, FIG. 7 is a bottom plan view thereof.

1 Claim, 7 Drawing Sheets



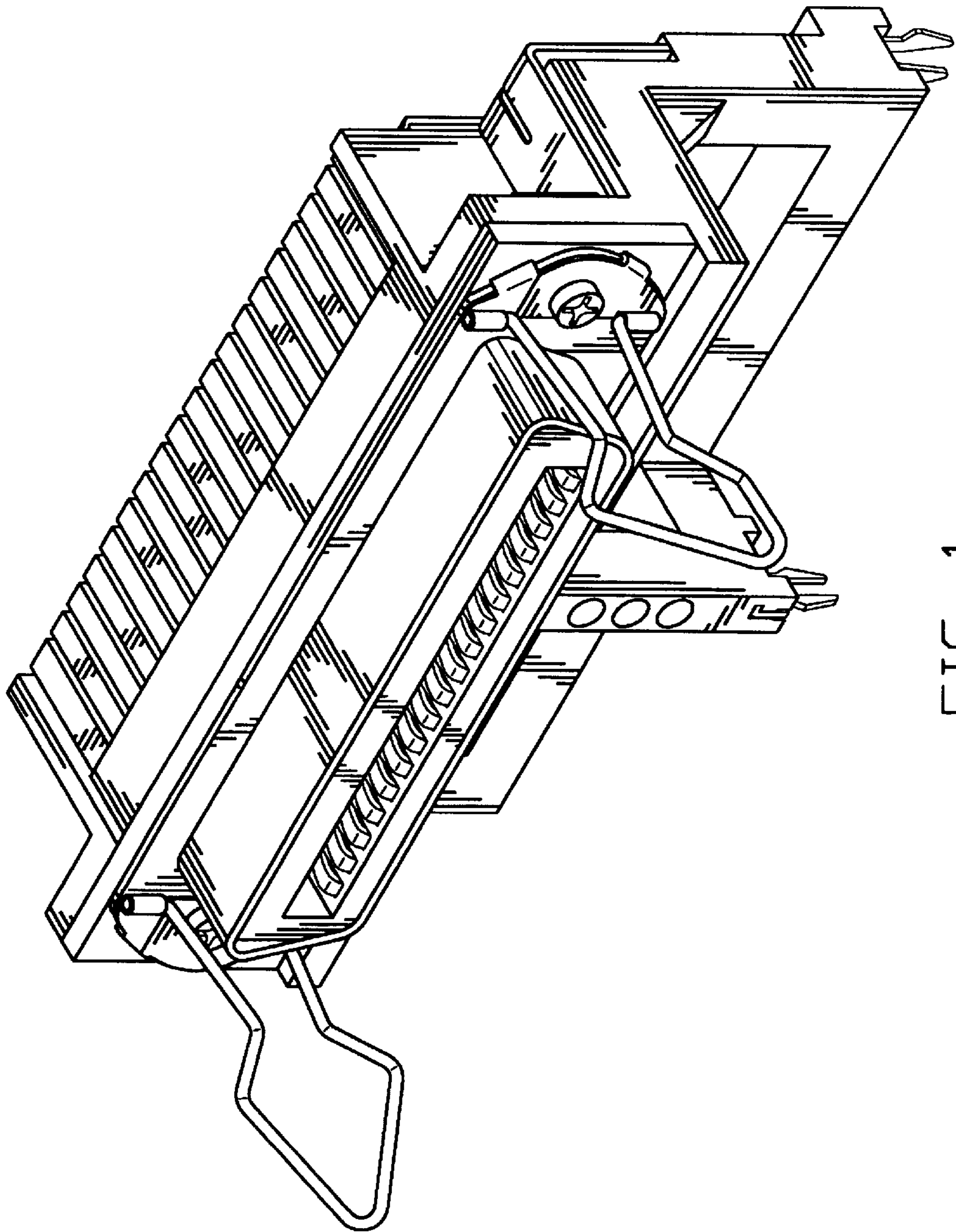


FIG. 1

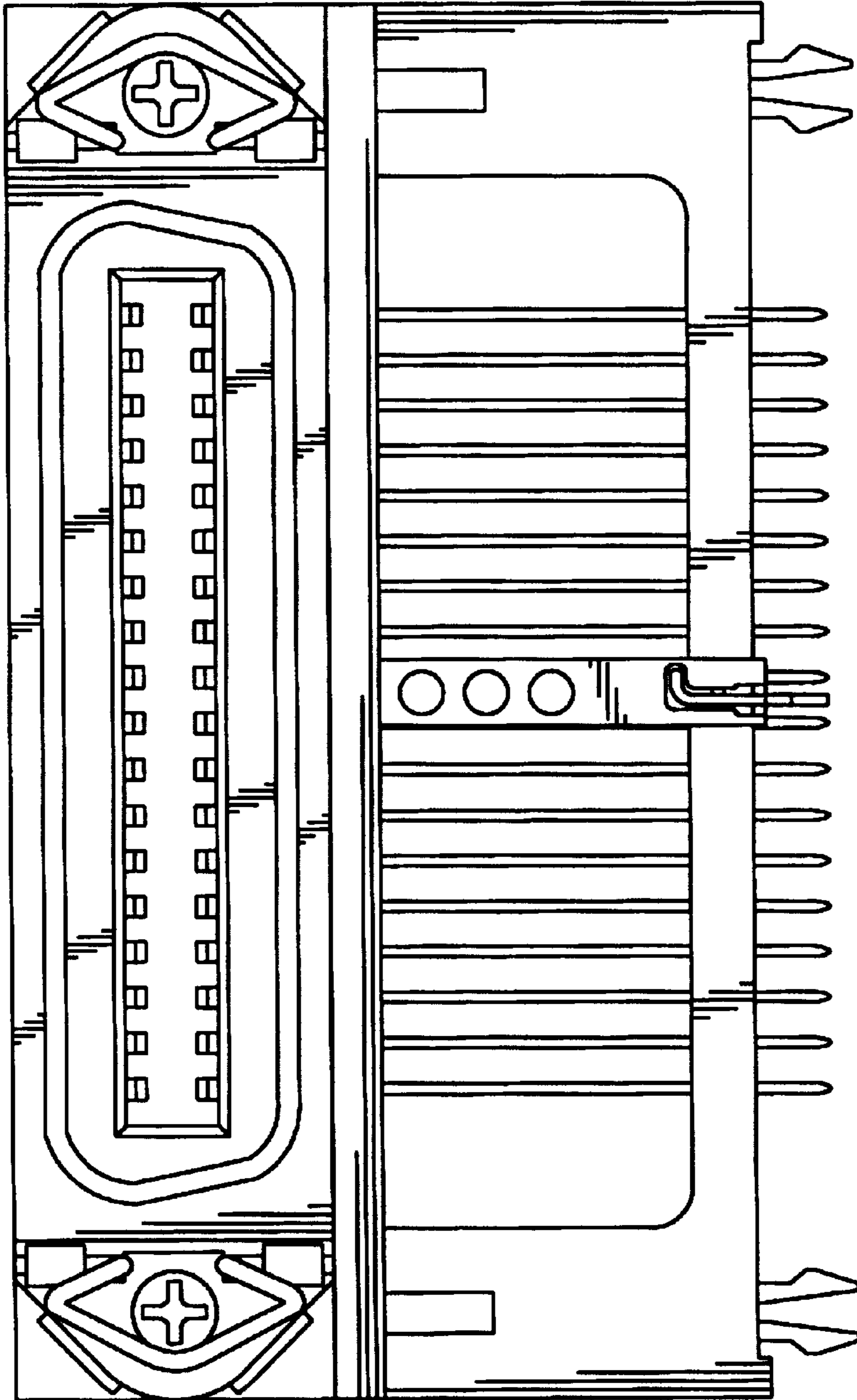


FIG. 2

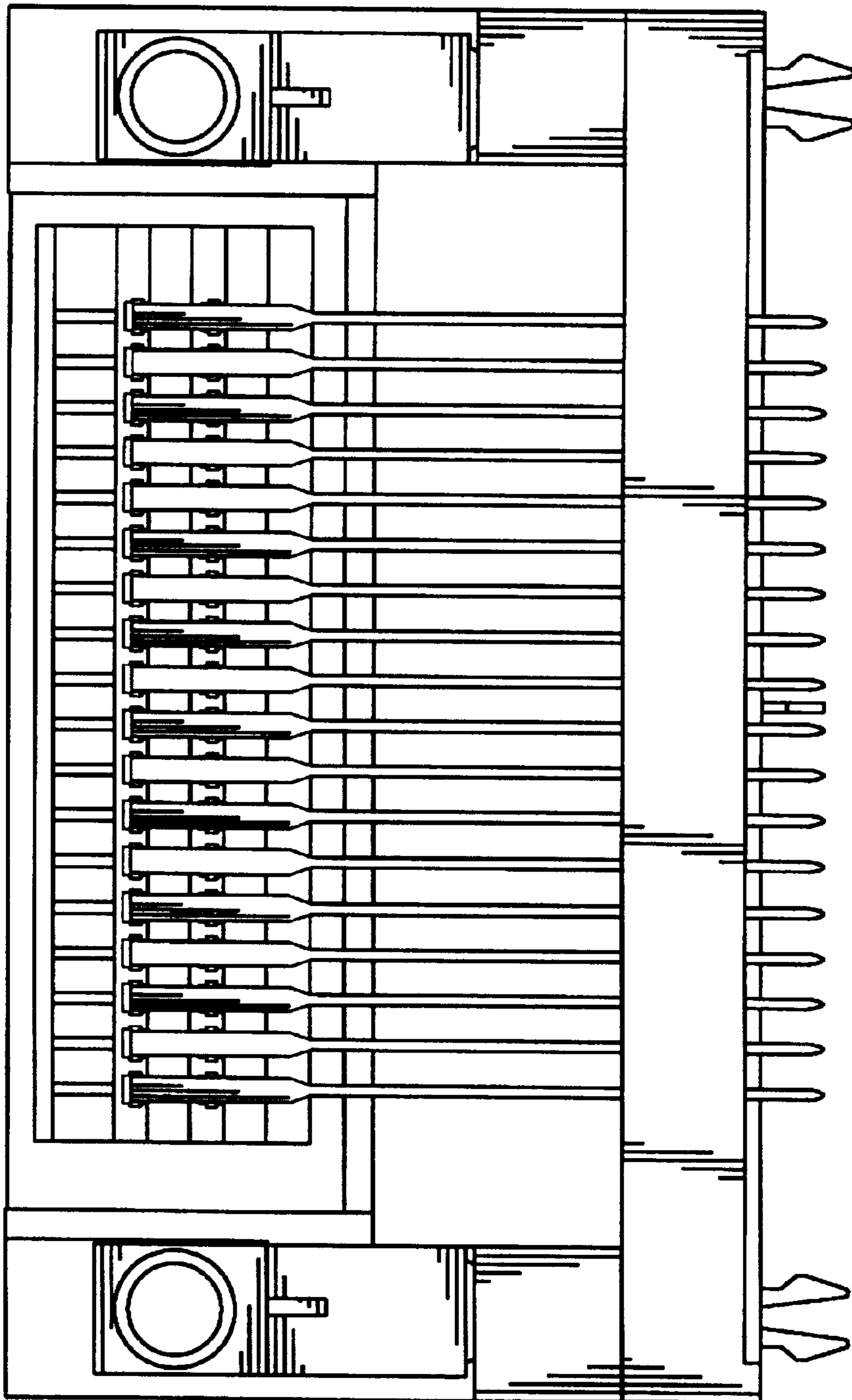


FIG. 3

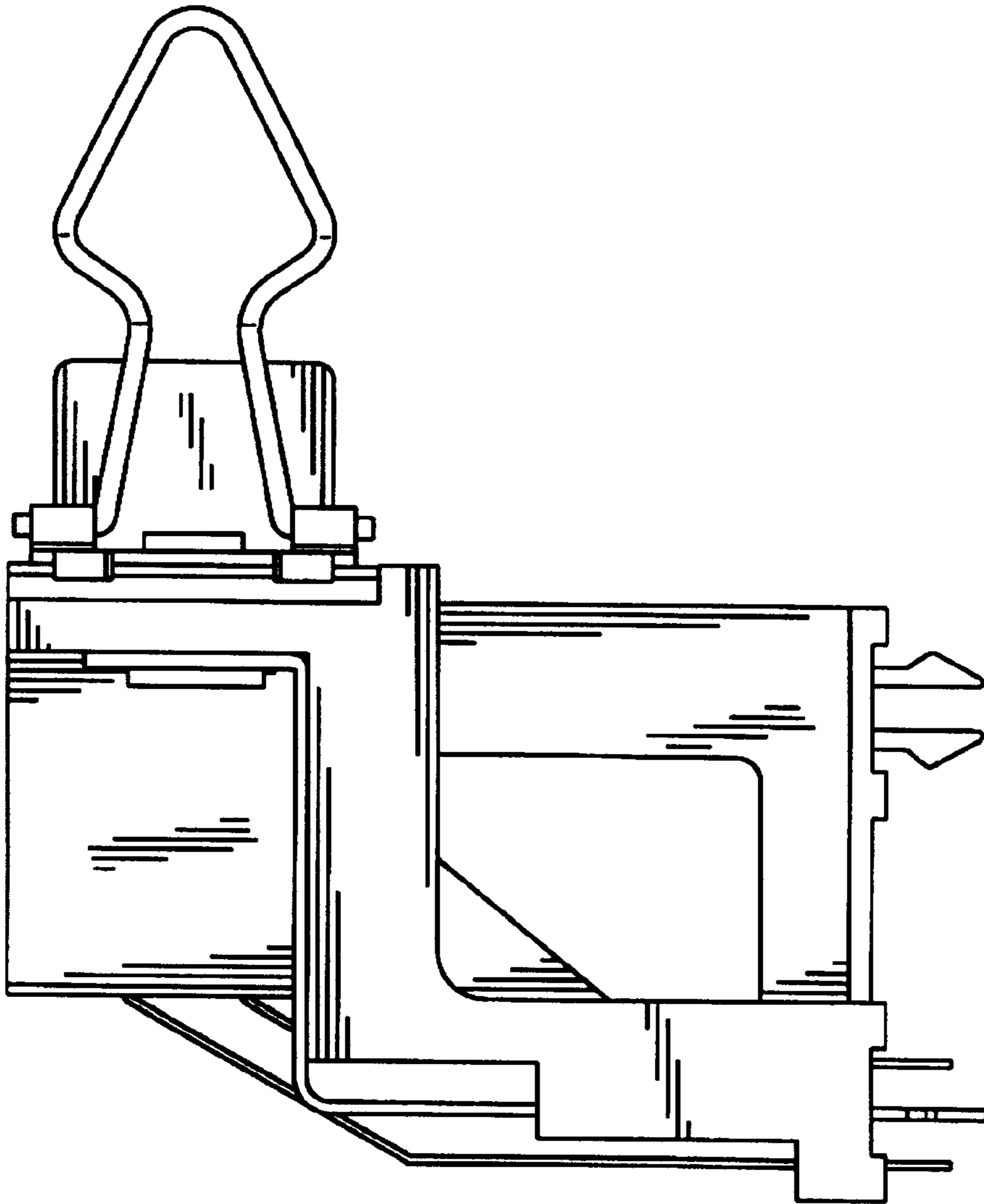


FIG. 4

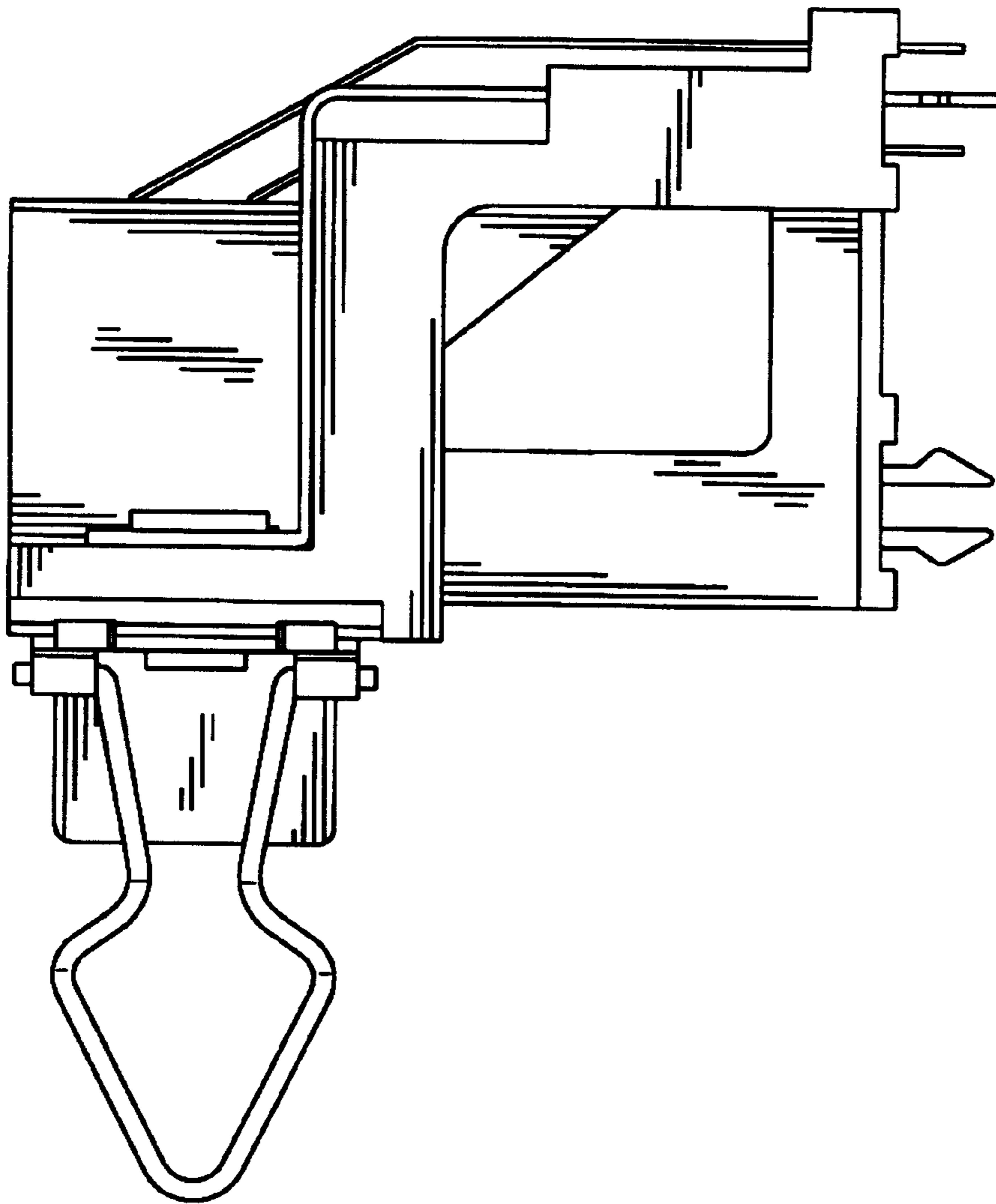


FIG. 5

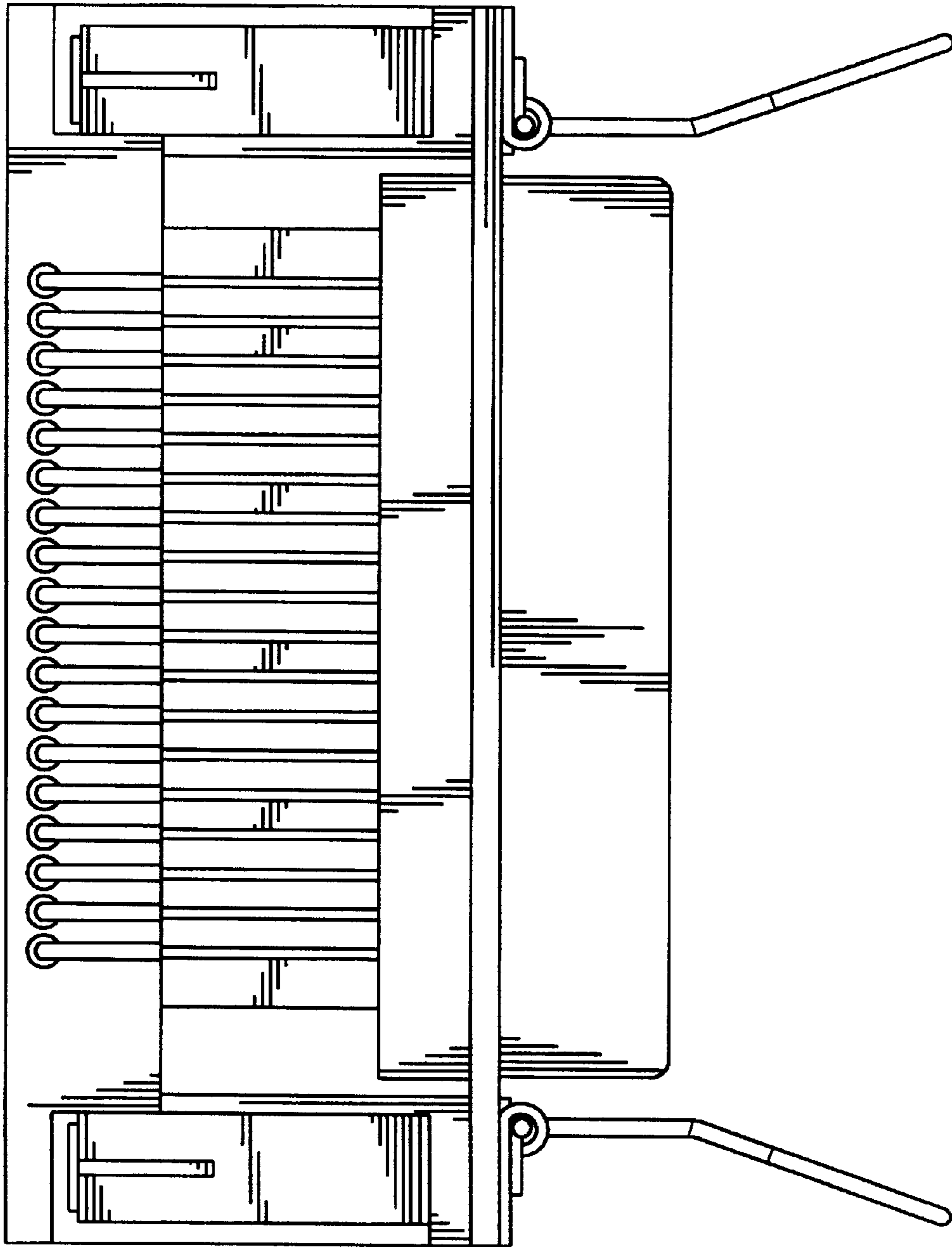


FIG. 6

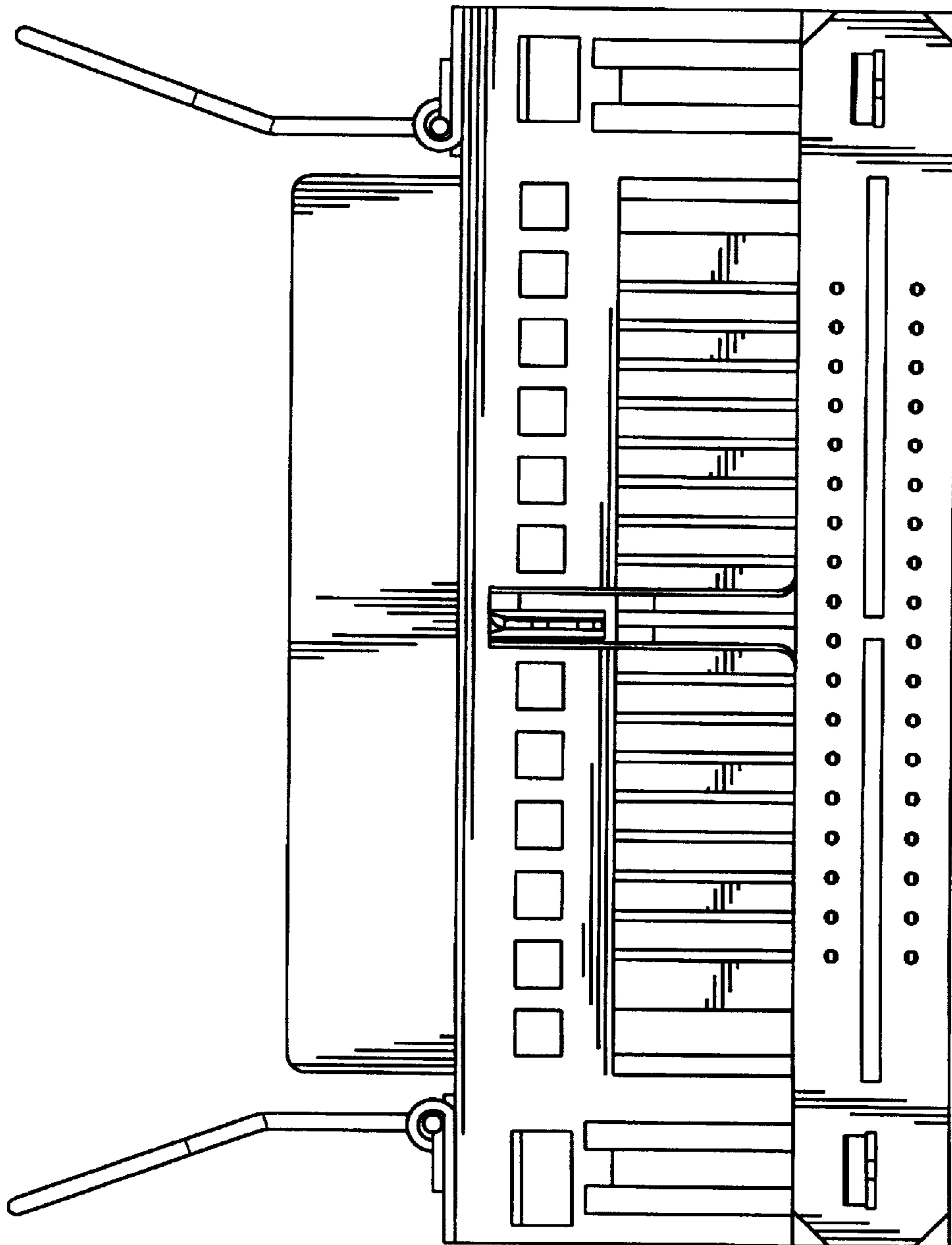


FIG. 7