



US00D441716S

(12) **United States Design Patent**
Huang

(10) **Patent No.:** **US D441,716 S**

(45) **Date of Patent:** **** May 8, 2001**

(54) **CHRISTMAS BULB RECEPTACLE**

(76) Inventor: **Shun-Feng Huang**, No.56, Min Sheng Street, Feng-Yuan City 42041 (TW)

(**) Term: **14 Years**

(21) Appl. No.: **29/121,589**

(22) Filed: **Apr. 7, 2000**

(51) **LOC (7) Cl.** **13-03**

(52) **U.S. Cl.** **D13/134**

(58) **Field of Search** D13/134; 362/249, 362/391, 396, 806; 439/356, 575, 619, 699.2

(56) **References Cited**

U.S. PATENT DOCUMENTS

D. 354,269	*	1/1995	Liu	D13/134
4,802,072	*	1/1989	Kau	362/238
5,443,399	*	8/1995	Jing et al.	439/619
5,632,552	*	5/1997	Wang et al.	362/396
5,697,698	*	12/1997	Huang	362/226

5,779,352	*	7/1998	Lin	362/249
6,004,006	*	12/1999	Wang	362/249
6,033,096	*	3/2000	Liu	362/396
6,068,229	*	5/2000	Wang et al.	248/314
6,109,764	*	8/2000	Shu	362/226

* cited by examiner

Primary Examiner—Joel Sincavage

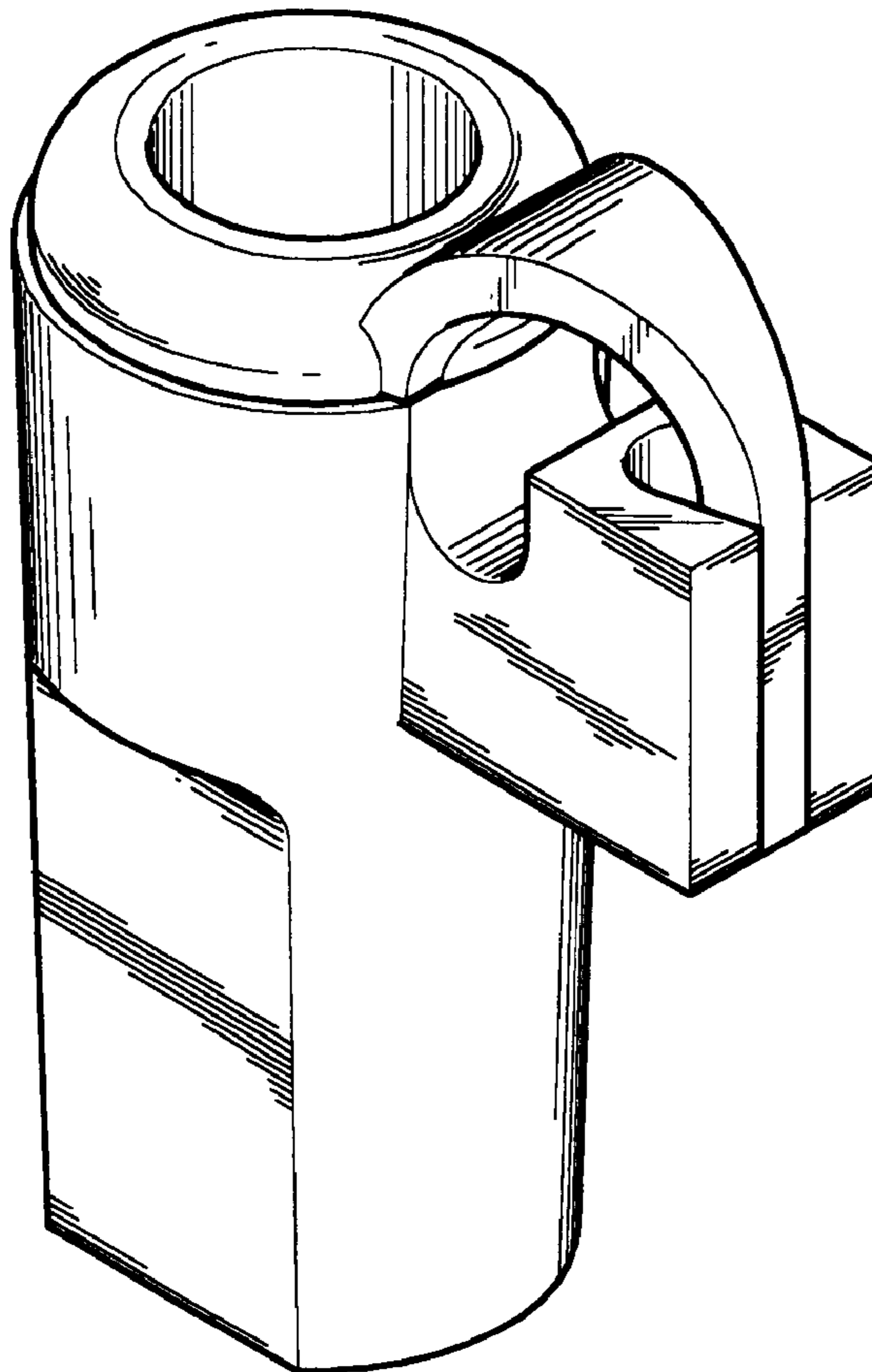
(57) **CLAIM**

The ornamental design for a Christmas bulb receptacle, as shown.

DESCRIPTION

FIG. 1 is a perspective view of a Christmas bulb receptacle showing my new design;
FIG. 2 is a right side elevational view thereof;
FIG. 3 is a top plan view thereof;
FIG. 4 is a front elevational view thereof;
FIG. 5 is a bottom plan view thereof;
FIG. 6 is a left side elevational view thereof; and,
FIG. 7 is a rear elevational view thereof.

1 Claim, 4 Drawing Sheets



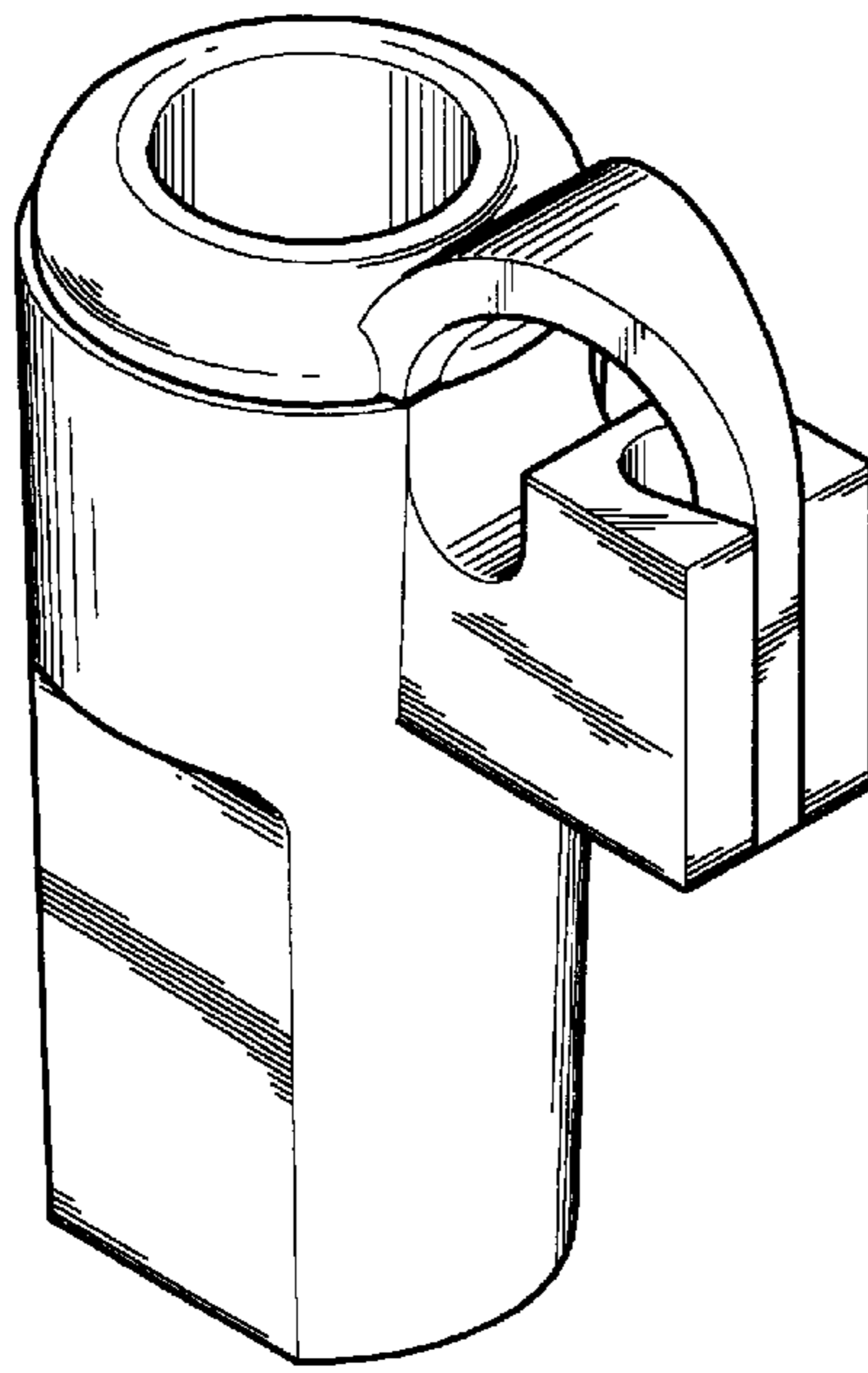


FIG. 1

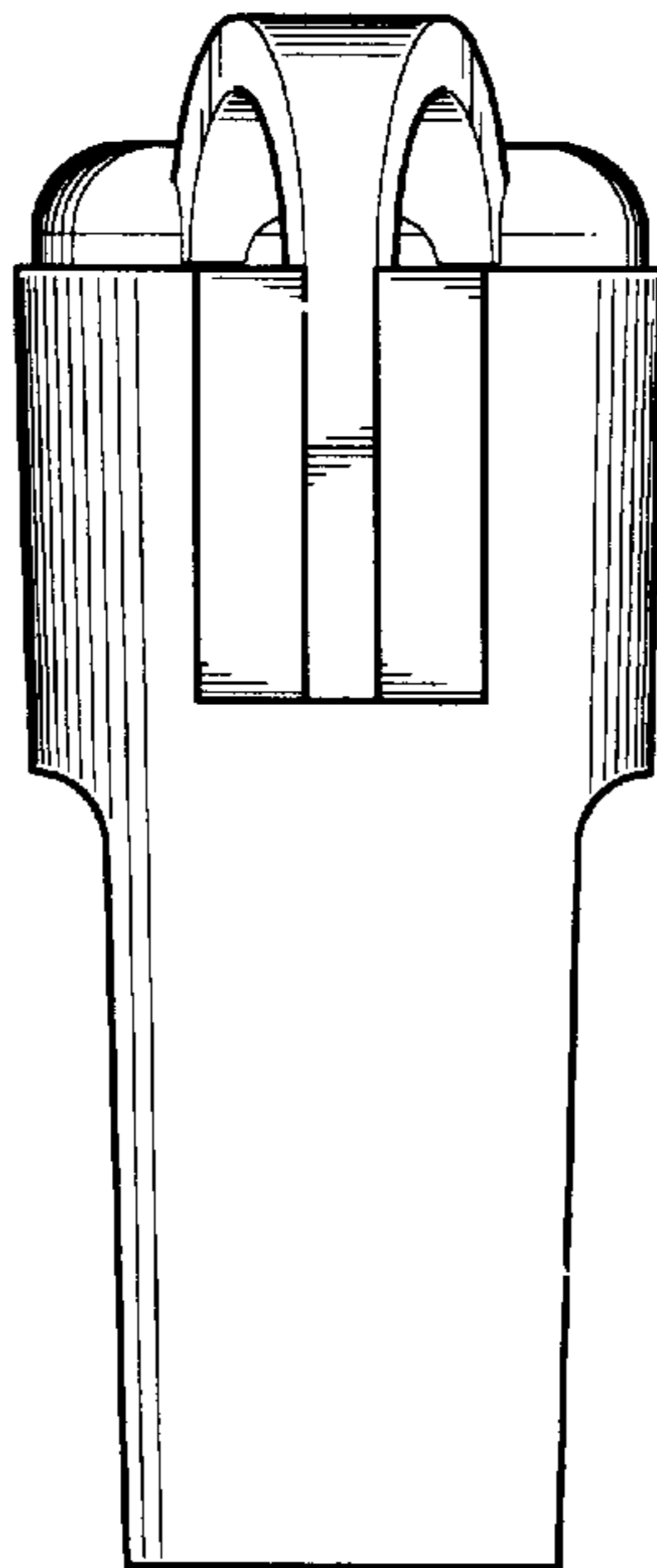


FIG. 2

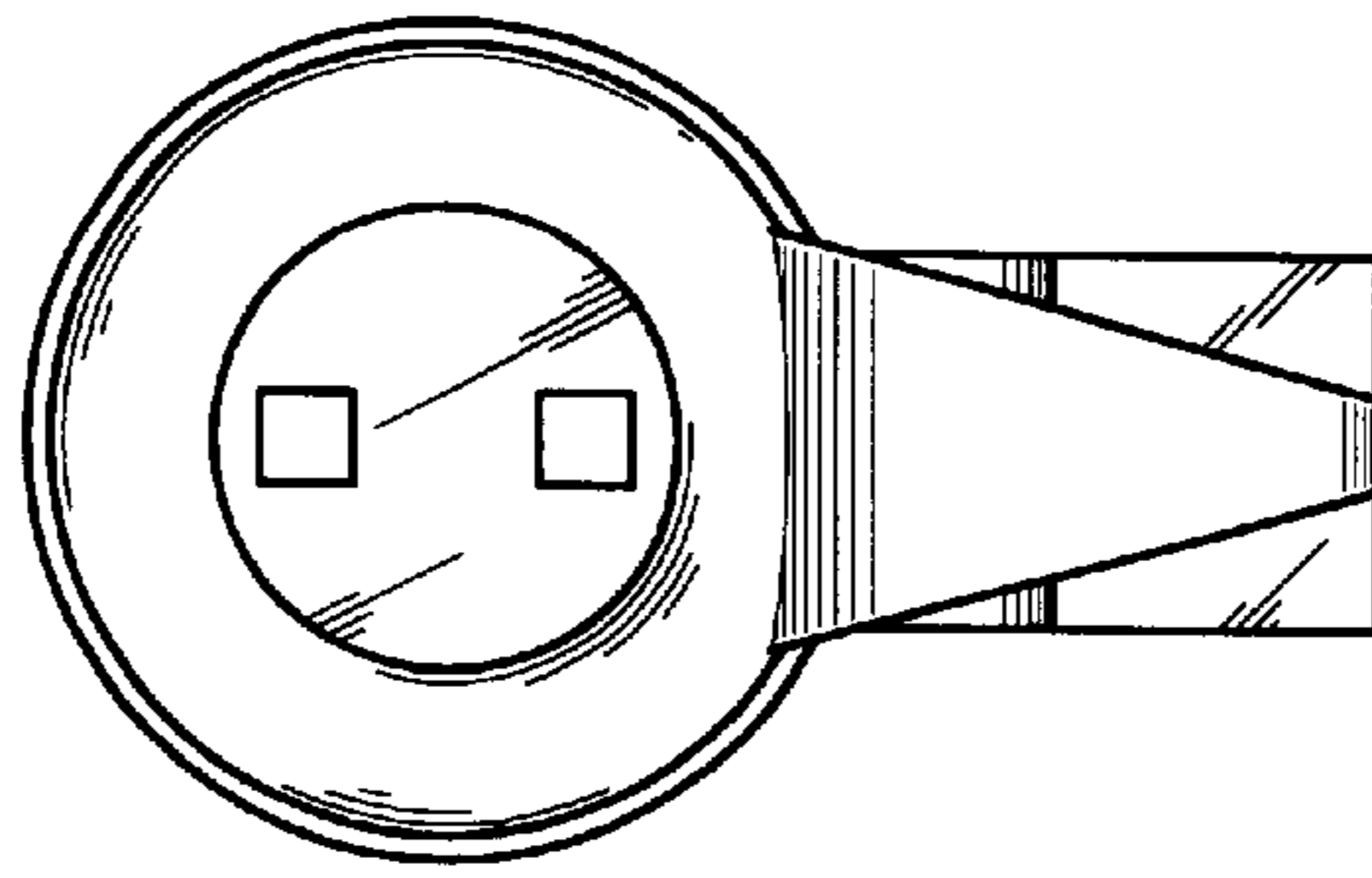


FIG. 3

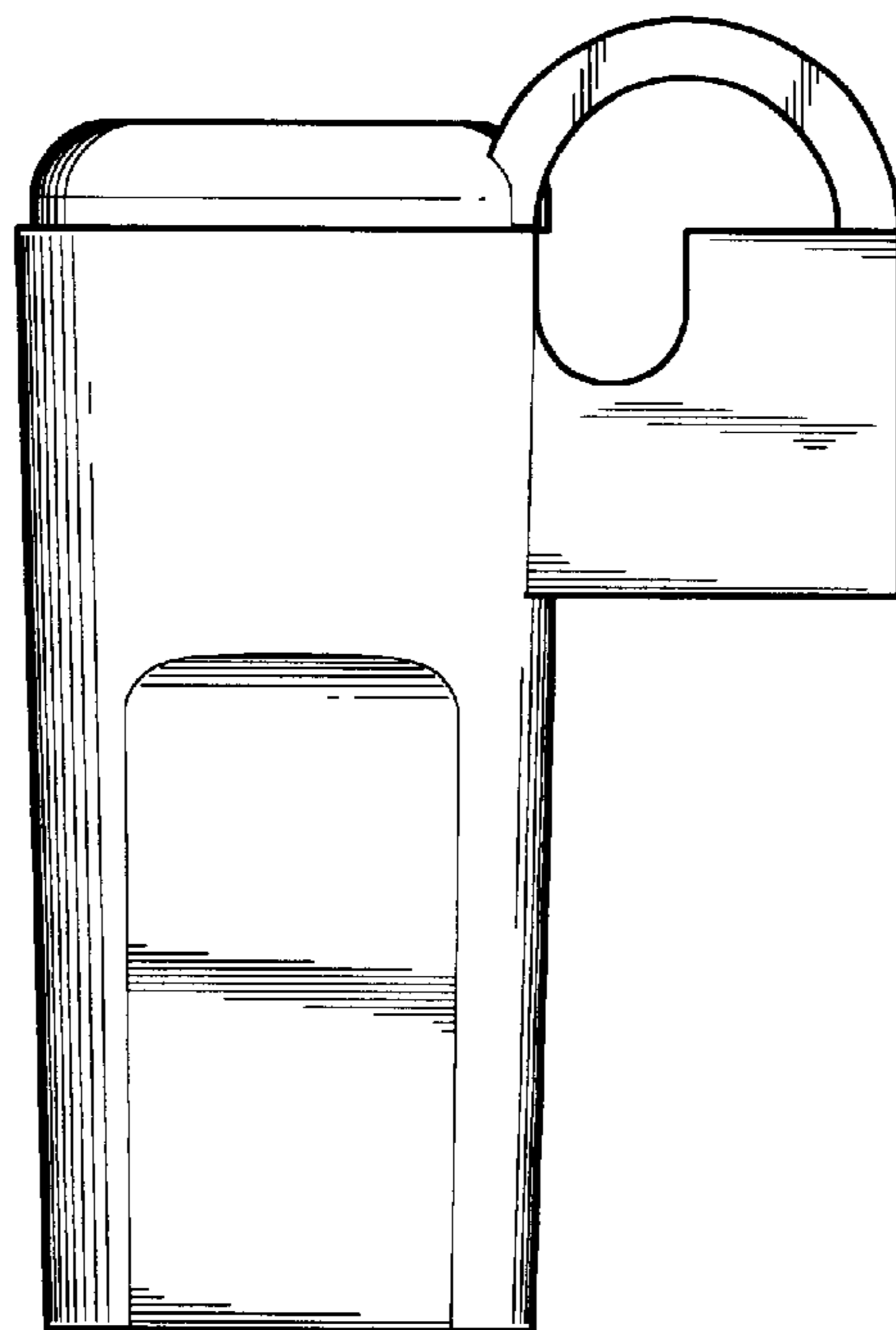


FIG. 4

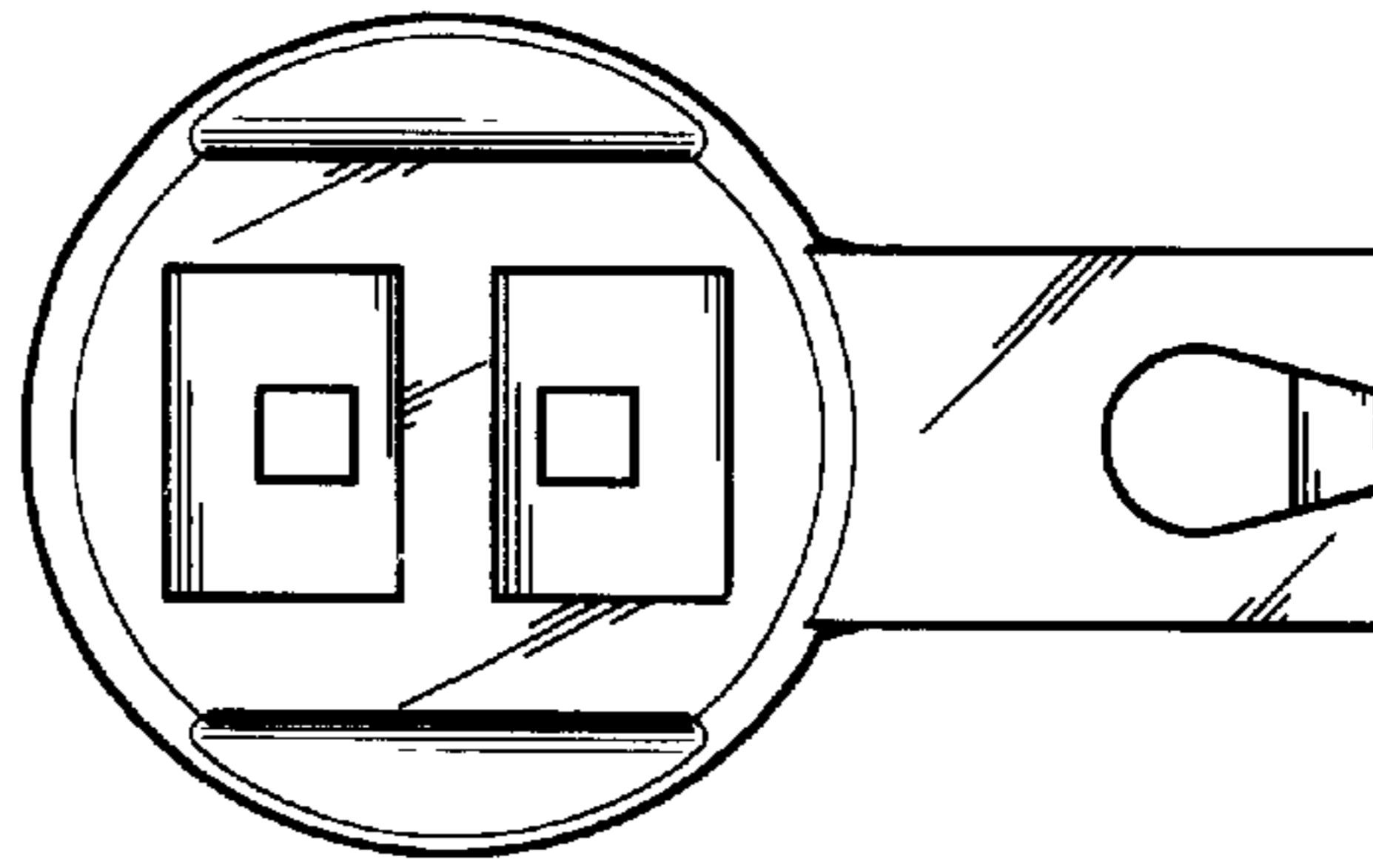


FIG. 5

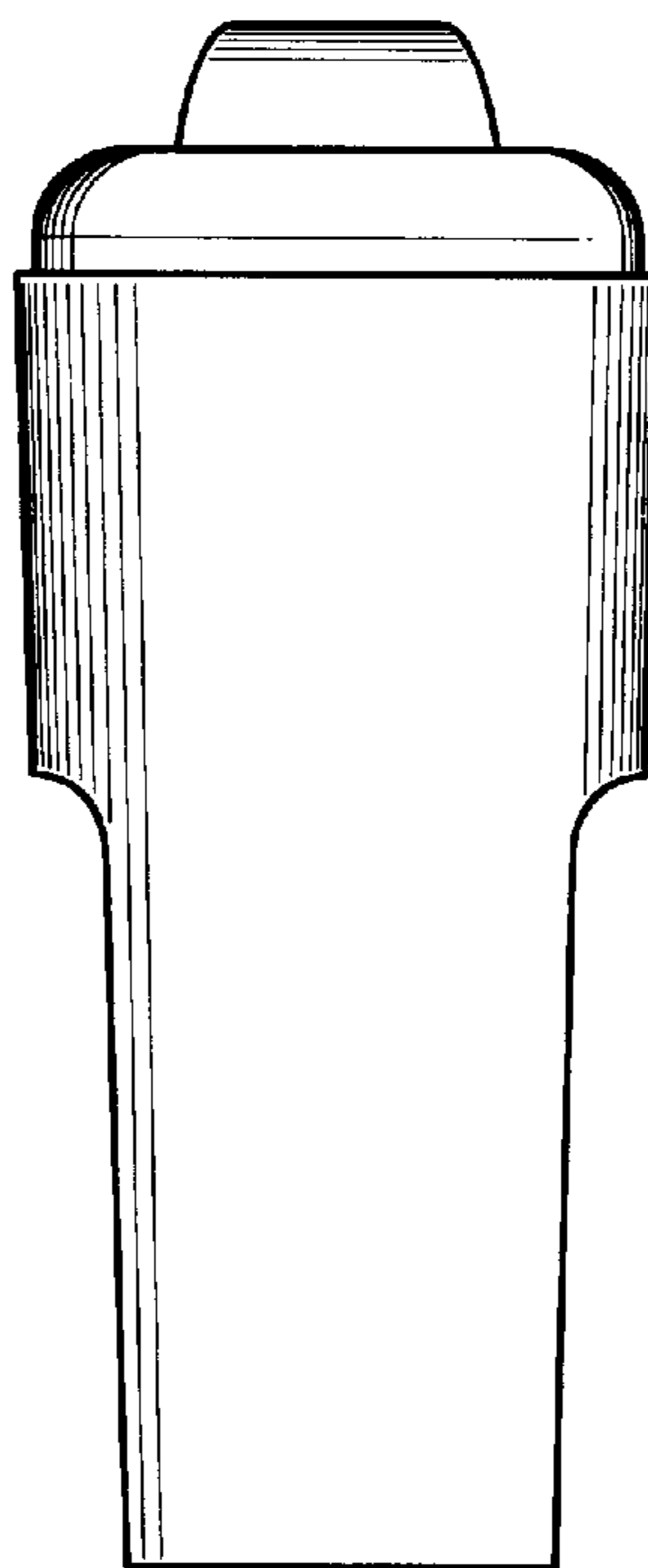


FIG. 6

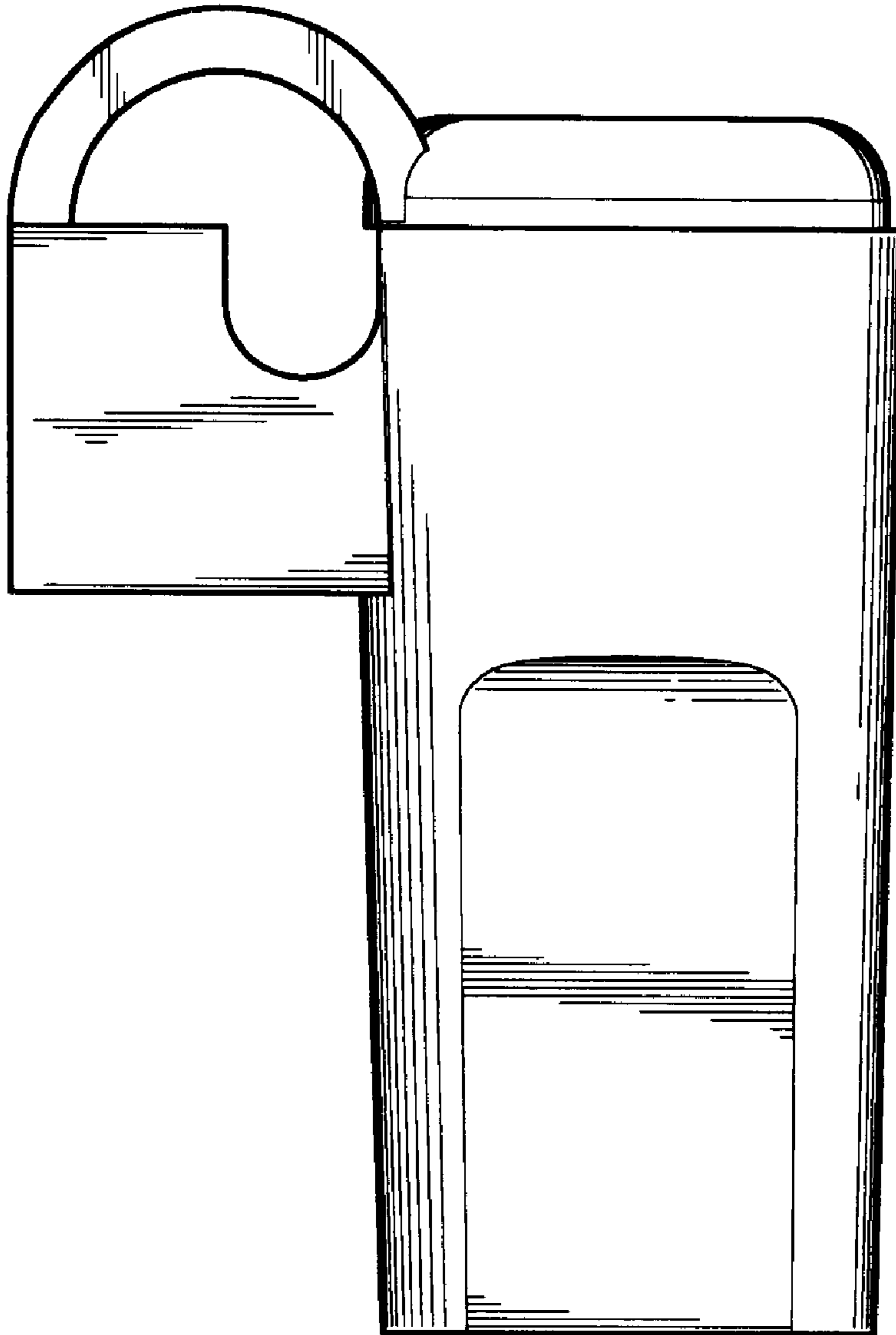


FIG. 7