



US00D441714S

(12) **United States Design Patent**  
**Yuzuriha**

(10) **Patent No.:** **US D441,714 S**

(45) **Date of Patent:** **\*\* May 8, 2001**

(54) **POWER GENERATOR**

FOREIGN PATENT DOCUMENTS

(75) Inventor: **Hiromi Yuzuriha**, Shiki (JP)

652171 5/1985 (JP) .

652171 11/1985 (JP) .

(73) Assignee: **Honda Giken Kogyo Kabushiki Kaisha**, Tokyo (JP)

\* cited by examiner

(\*\*) Term: **14 Years**

*Primary Examiner*—Joel Sincavage

(74) *Attorney, Agent, or Firm*—Blank Rome Comisky & McCauley LLP

(21) Appl. No.: **29/107,858**

(22) Filed: **Jul. 16, 1999**

(57) **CLAIM**

(30) **Foreign Application Priority Data**

The ornamental design for a power generator, as shown and described.

Jan. 18, 1999 (JP) ..... 11-691

**DESCRIPTION**

(51) **LOC (7) Cl.** ..... **13-01**

FIG. 1 is a front perspective view of a power generator showing the new design;

(52) **U.S. Cl.** ..... **D13/116**

FIG. 2 is another front perspective view thereof;

(58) **Field of Search** ..... D13/114, 116;

FIG. 3 is a front elevational view thereof;

123/2; 290/1 B

FIG. 4 is a rear elevational view thereof;

FIG. 5 is a side elevational view thereof;

(56) **References Cited**

U.S. PATENT DOCUMENTS

D. 282,734 \* 2/1986 Shibuya ..... D13/114

D. 293,904 \* 1/1988 Murakami et al. .... D13/116

4,503,812 \* 3/1985 Eberhardt ..... 123/2

5,965,949 \* 10/1999 Fukuda et al. .... 290/1 A

FIG. 6 is a another side elevational view thereof;

FIG. 7 is a top plan view thereof; and,

FIG. 8 is a bottom plan view thereof.

**1 Claim, 4 Drawing Sheets**

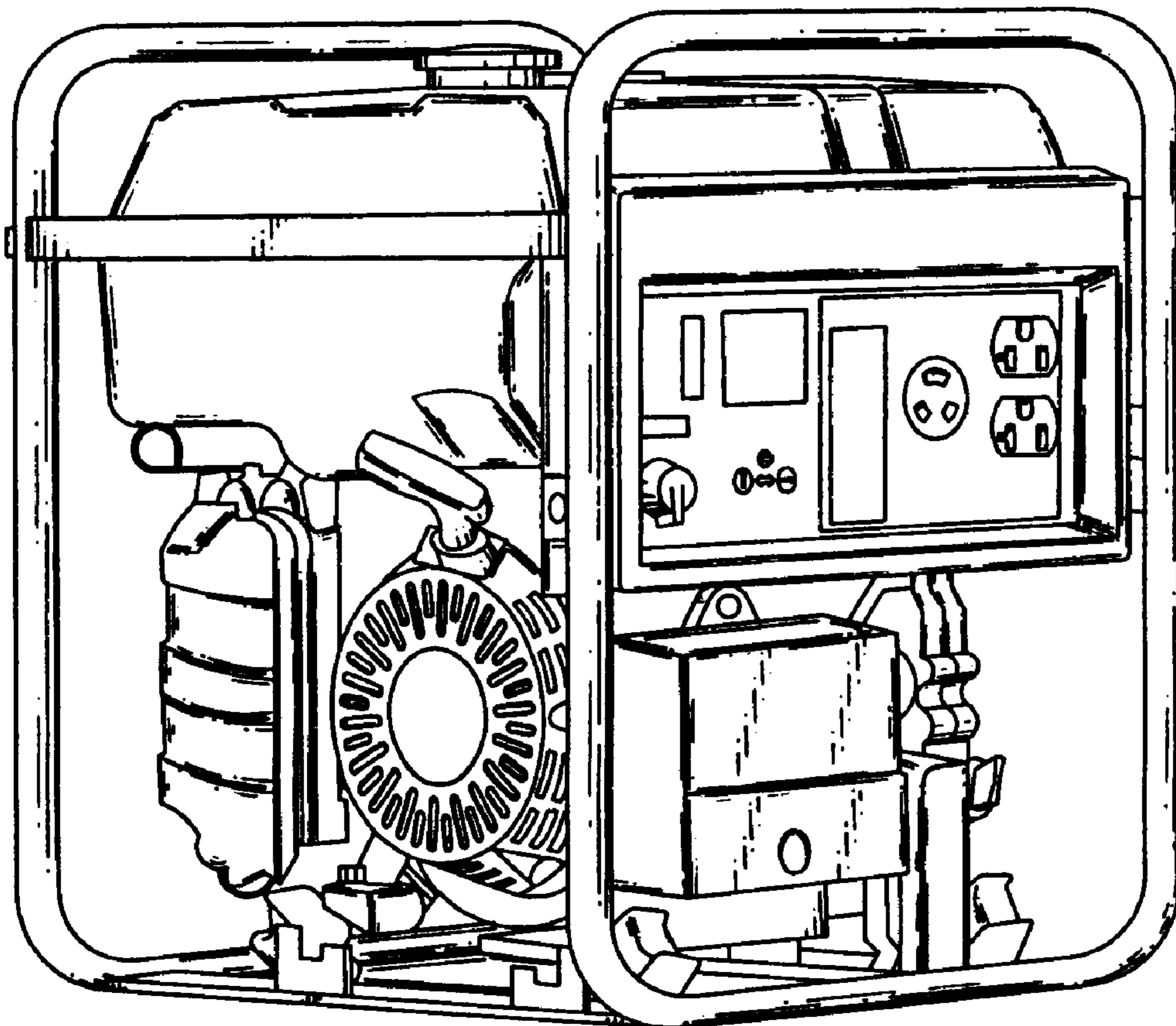


FIG. 1

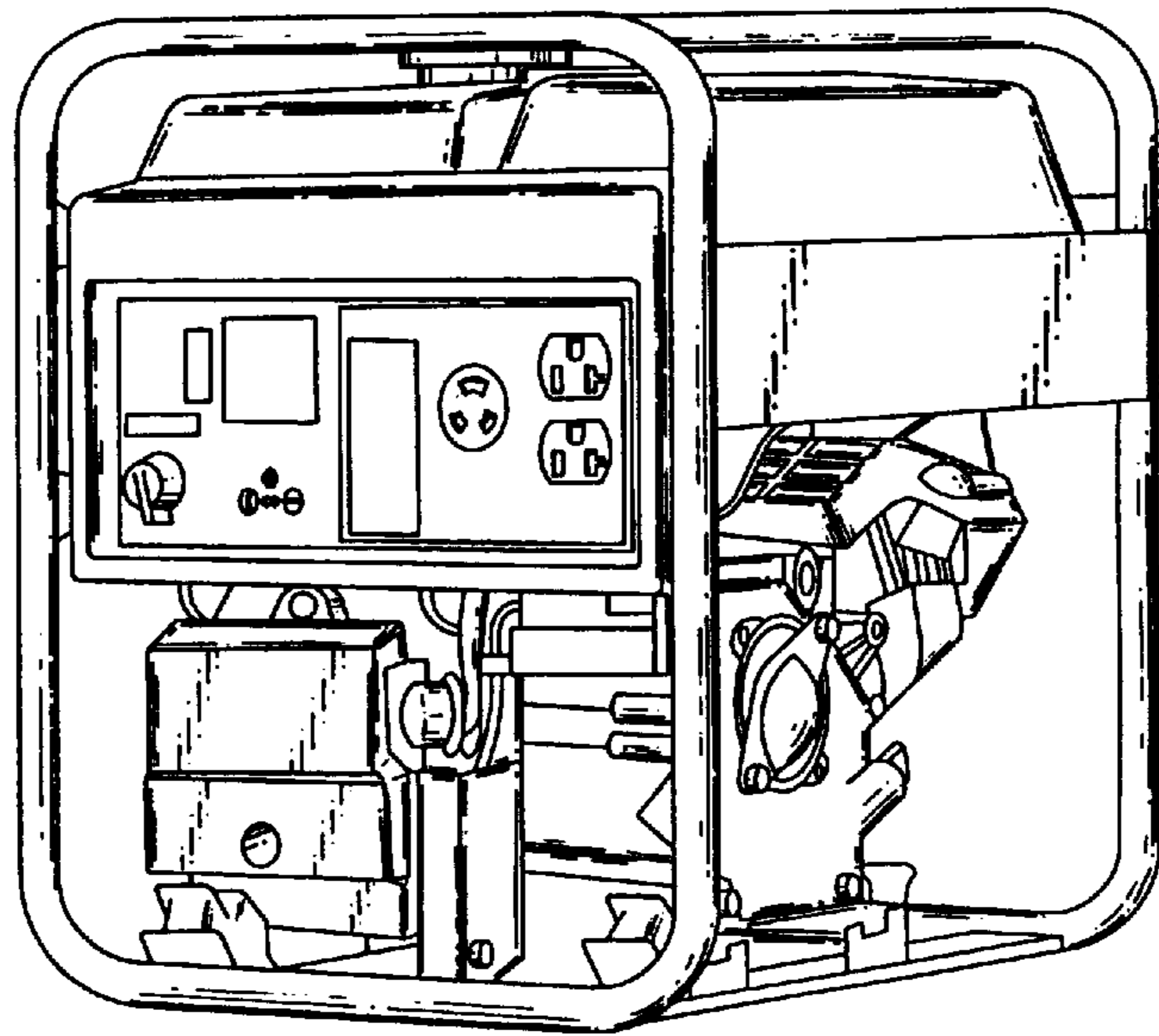


FIG. 2

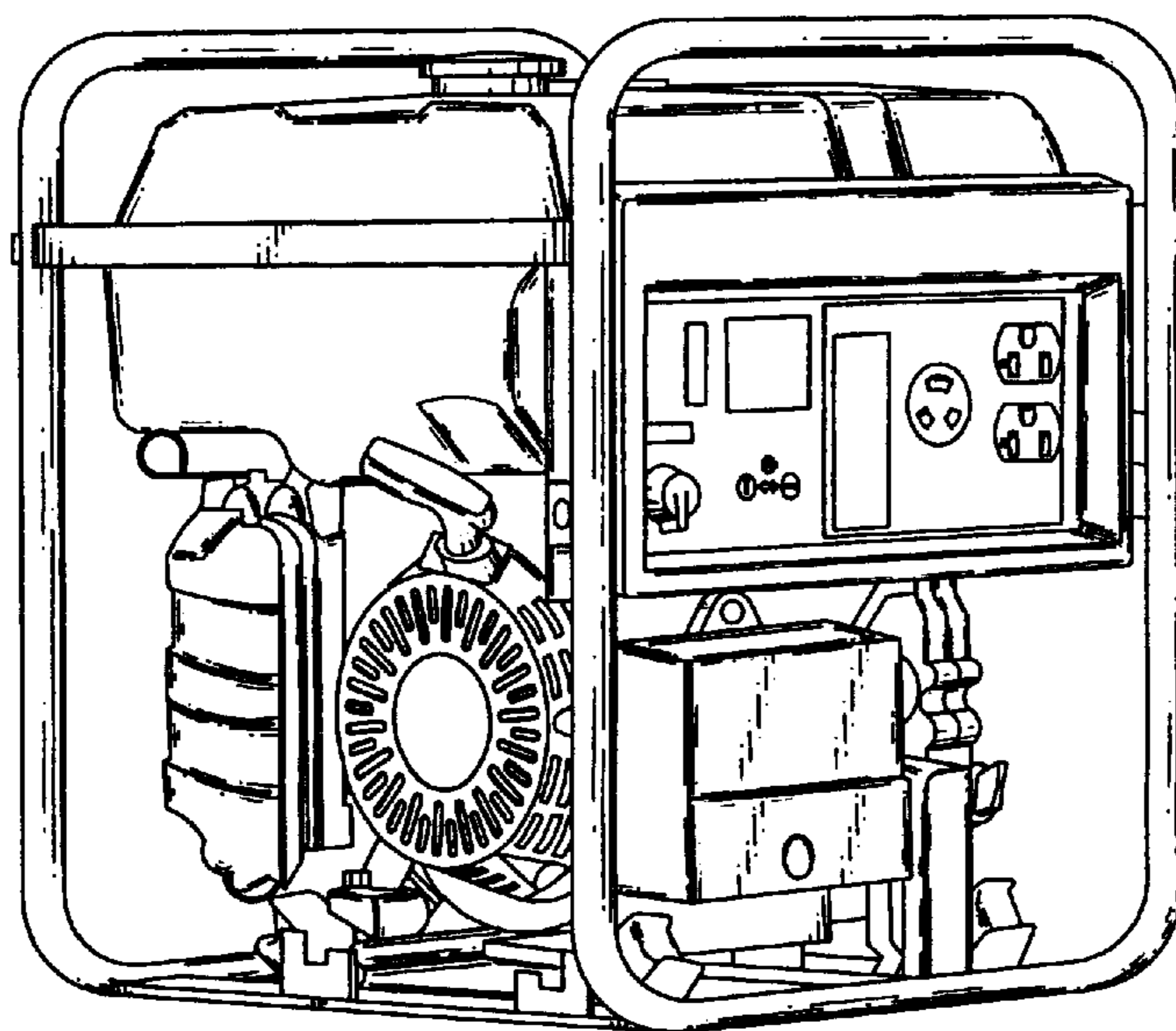


FIG. 3

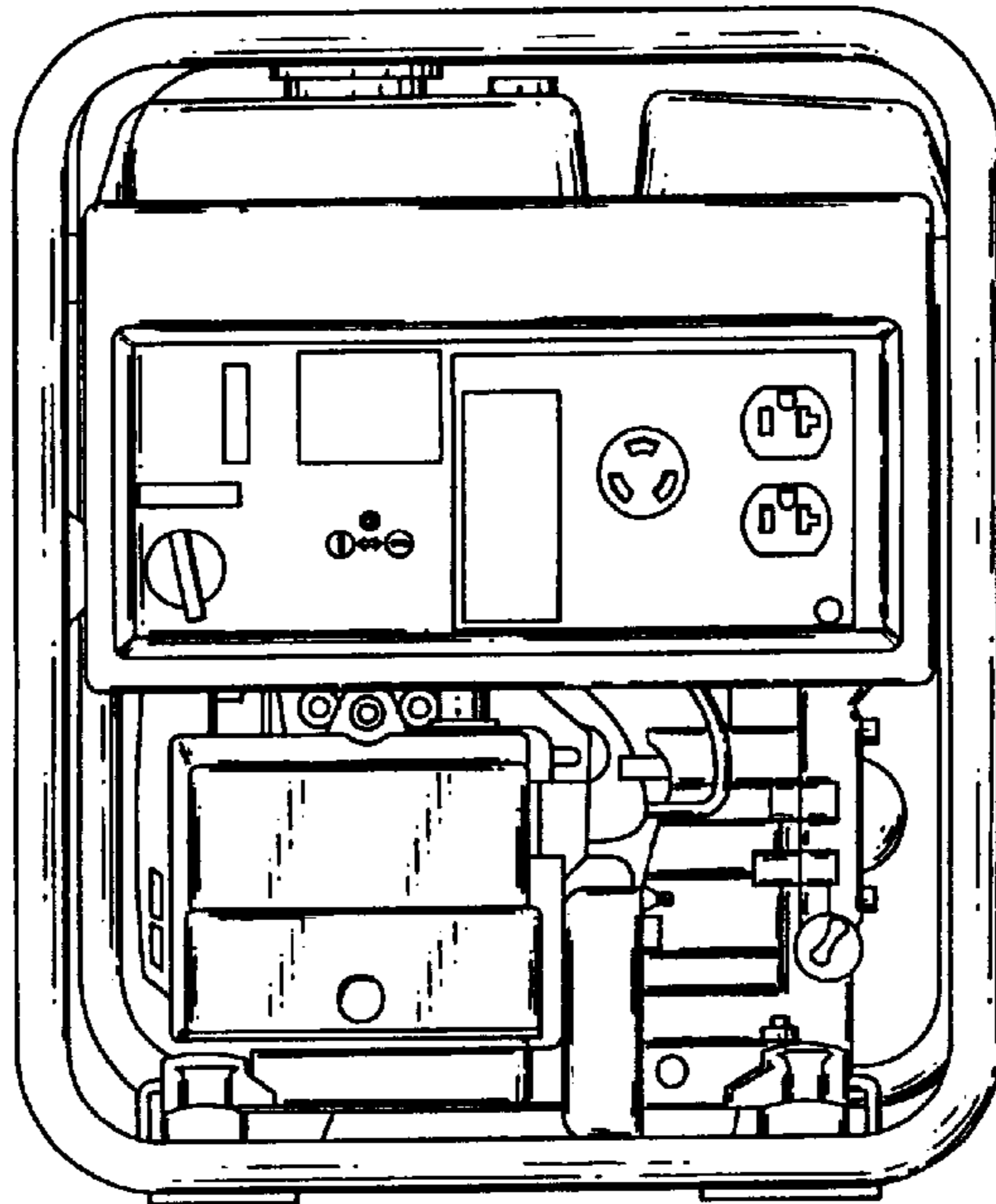


FIG. 4

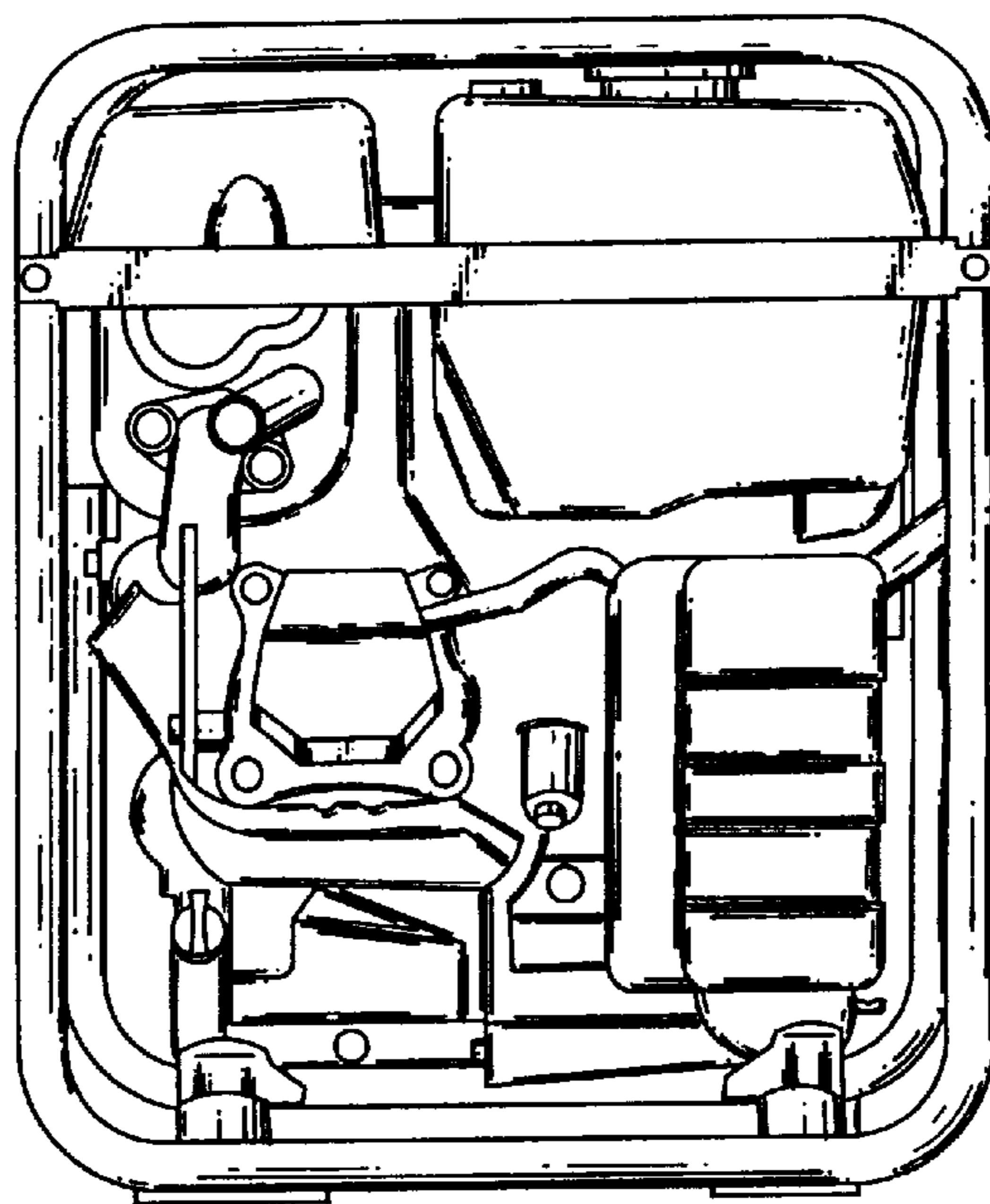


FIG. 5

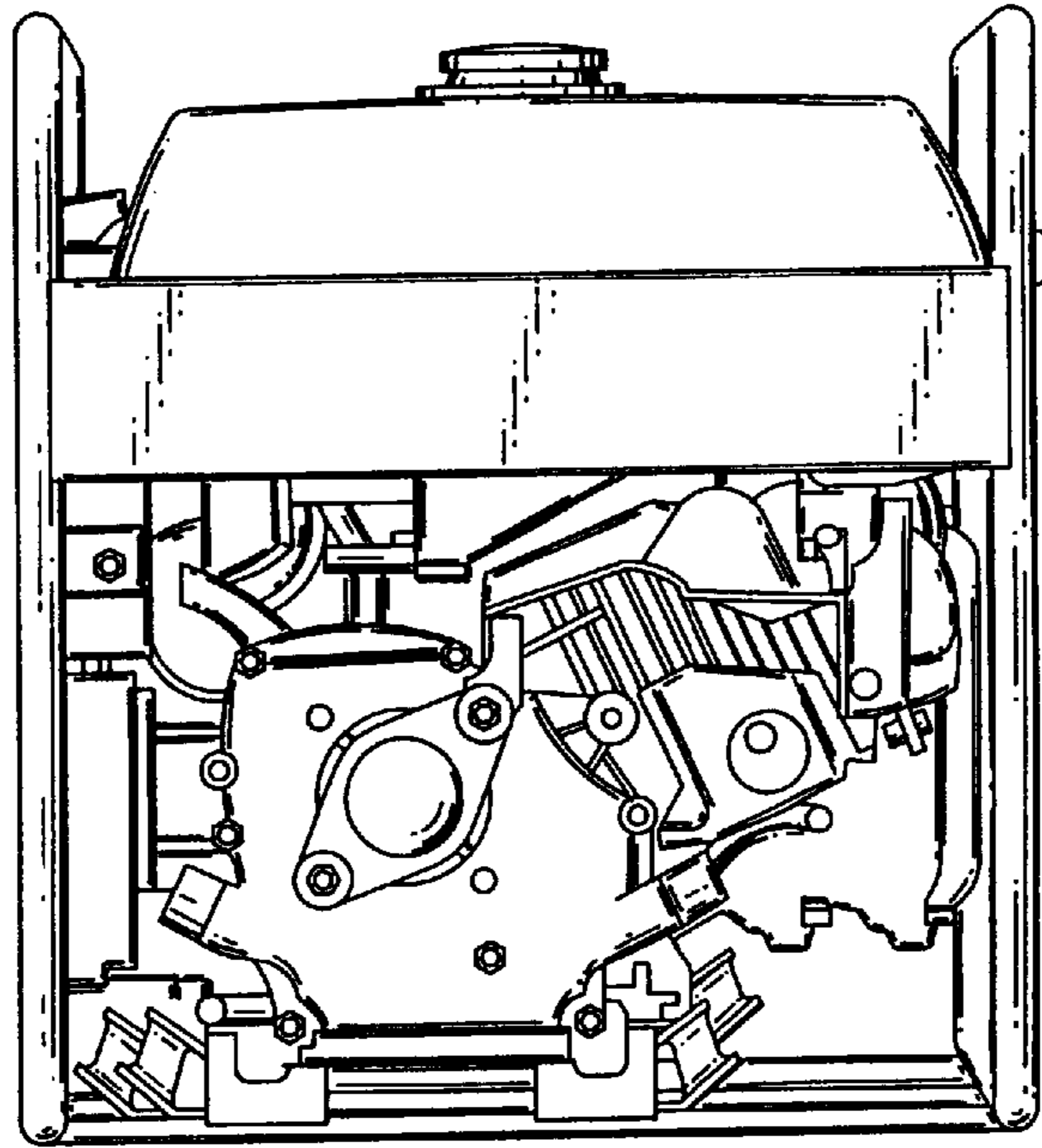


FIG. 6

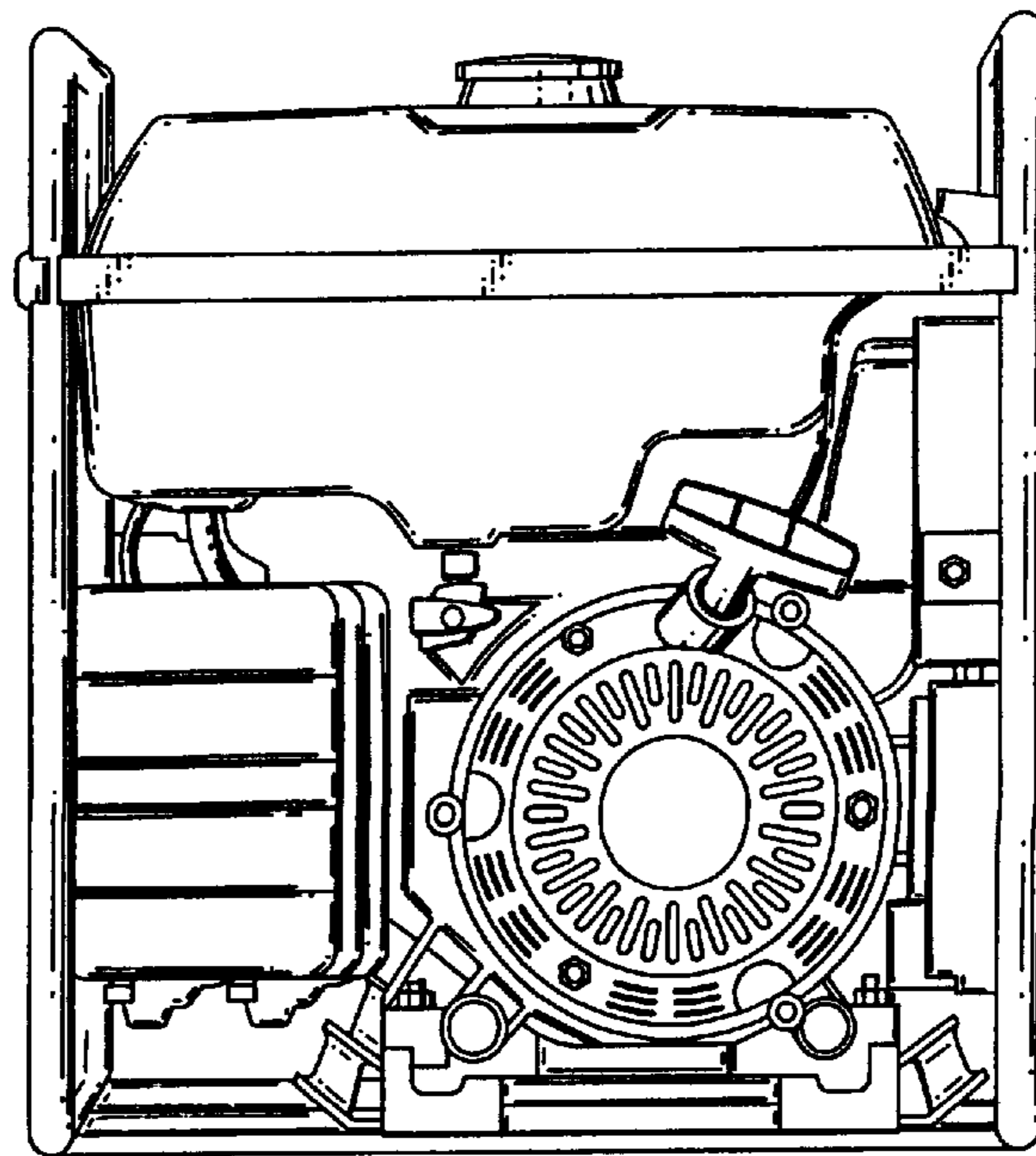


FIG. 7

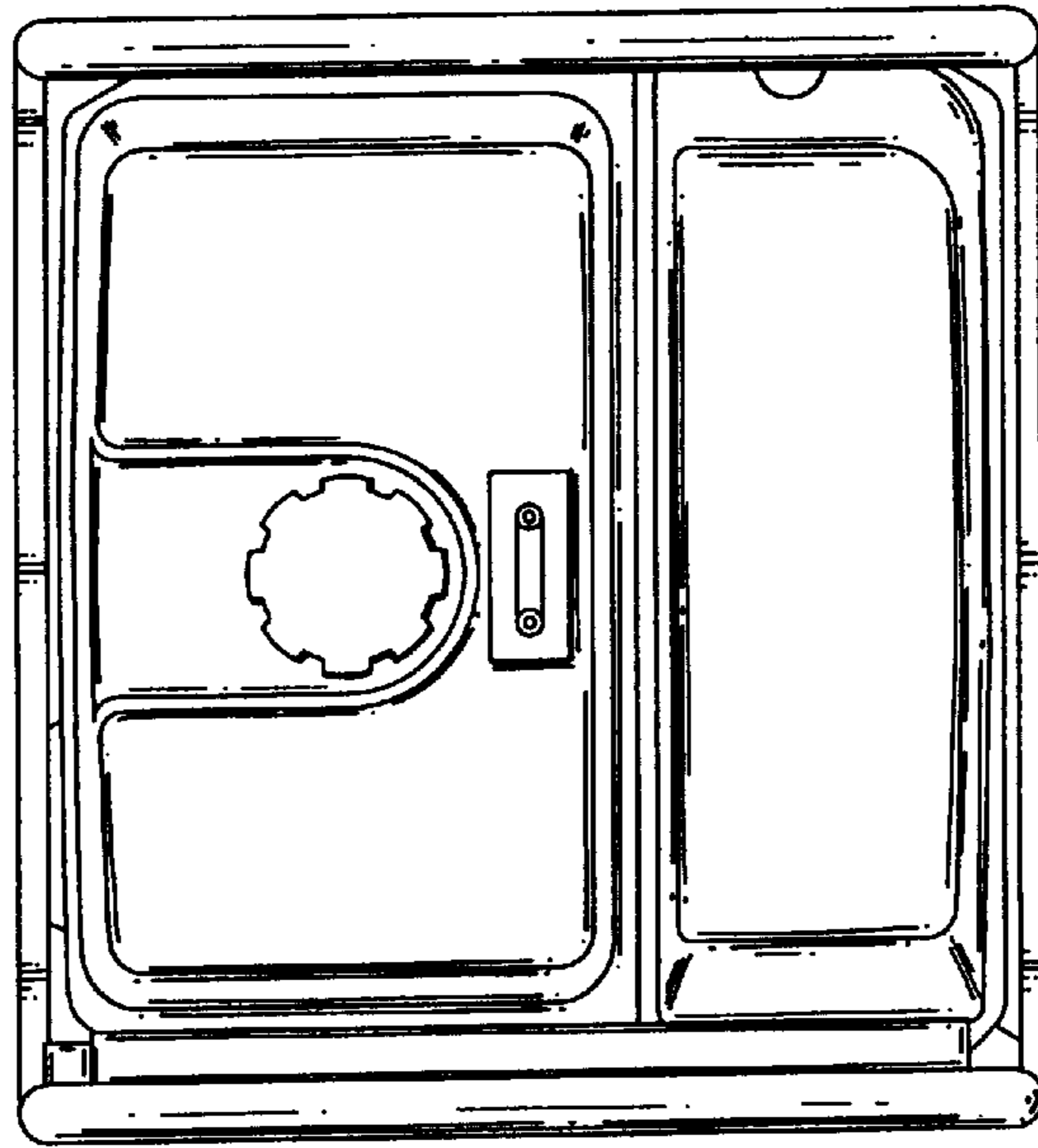


FIG. 8

