



US00D441713S

(12) **United States Design Patent**
Gartrell

(10) **Patent No.:** **US D441,713 S**

(45) **Date of Patent:** **** May 8, 2001**

(54) **CAR HOLDER/CHARGER**

(75) Inventor: **Andrew Gartrell**, Calabasas, CA (US)

(73) Assignee: **Nokia Mobile Phones Ltd.**, Espoo (FI)

(**) Term: **14 Years**

(21) Appl. No.: **29/131,444**

(22) Filed: **Oct. 20, 2000**

(51) **LOC (7) Cl.** **13-02**

(52) **U.S. Cl.** **D13/108**

(58) **Field of Search** D13/107, 108,
D13/118; D14/149, 251, 253; 320/110-115

(56) **References Cited**

U.S. PATENT DOCUMENTS

D. 320,991	*	10/1991	Nagai et al.	D14/251
D. 321,885	*	11/1991	Sheldrake	D14/253
D. 344,261	*	2/1994	Watanabe	D13/107
D. 350,528	*	9/1994	Bent et al.	D13/108
D. 350,545	*	9/1994	Olkkola et al.	D14/253
D. 358,822	*	5/1995	Rudkiewicz et al.	D14/253

D. 372,219	*	7/1996	Schechtel et al.	D13/108
D. 389,159	*	1/1998	Patterson et al.	D14/253
5,708,707	*	1/1998	Halttunen et al.	379/446
6,041,243	*	3/2000	Davidson et al.	455/575

* cited by examiner

Primary Examiner—Joel Sincavage

(74) *Attorney, Agent, or Firm*—Jubin Dana

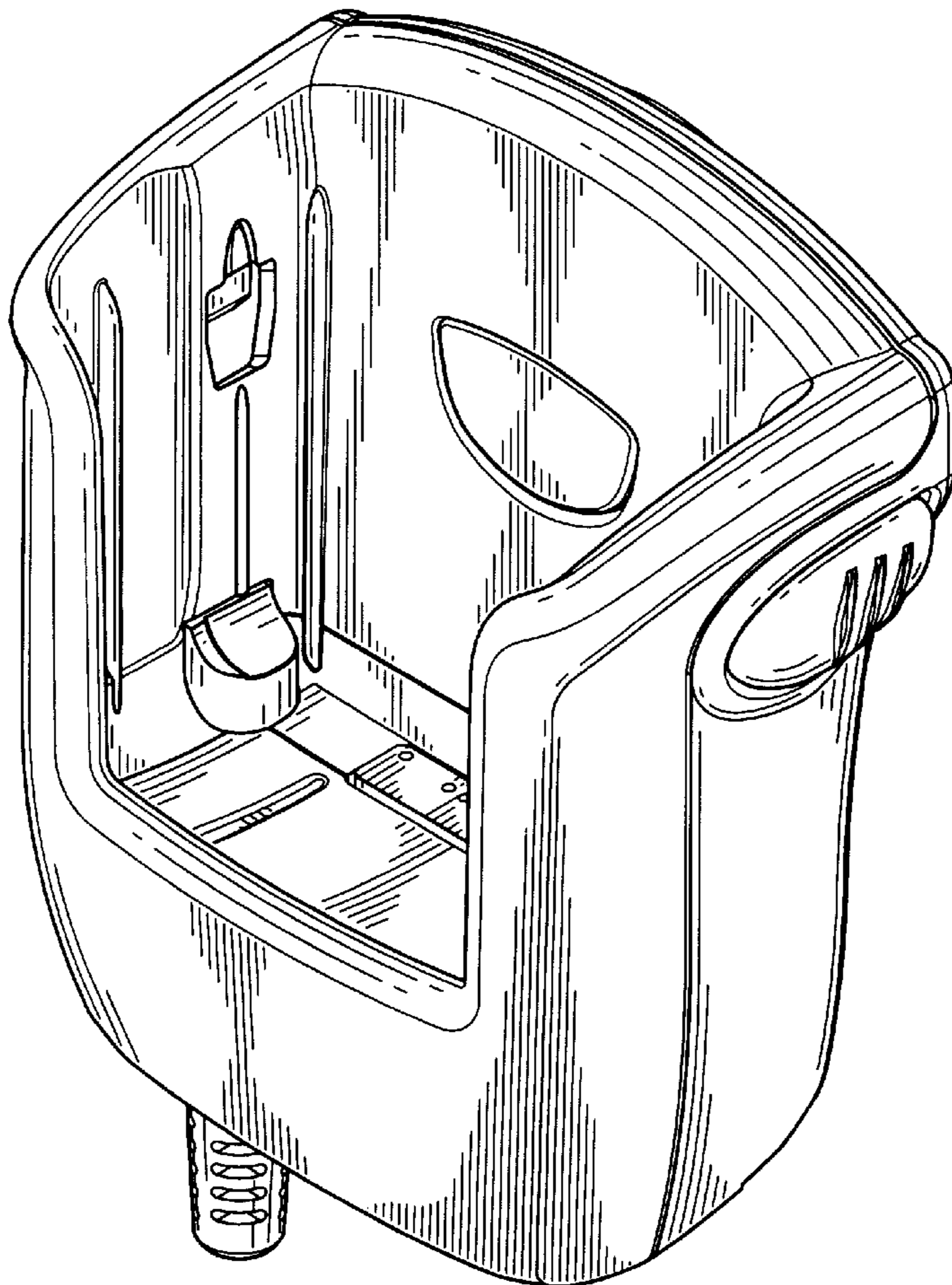
(57) **CLAIM**

Applicant claims the ornamental design for a car holder/charger, as shown.

DESCRIPTION

FIG. 1 is a front view of the car holder/charger;
FIG. 2 is a rear view thereof;
FIG. 3 is a left side view thereof;
FIG. 4 is a right side view thereof;
FIG. 5 is a top plan view thereof;
FIG. 6 is a bottom plan view thereof;
FIG. 7 is a front right perspective view thereof; and,
FIG. 8 is a rear left perspective view thereof.

1 Claim, 4 Drawing Sheets



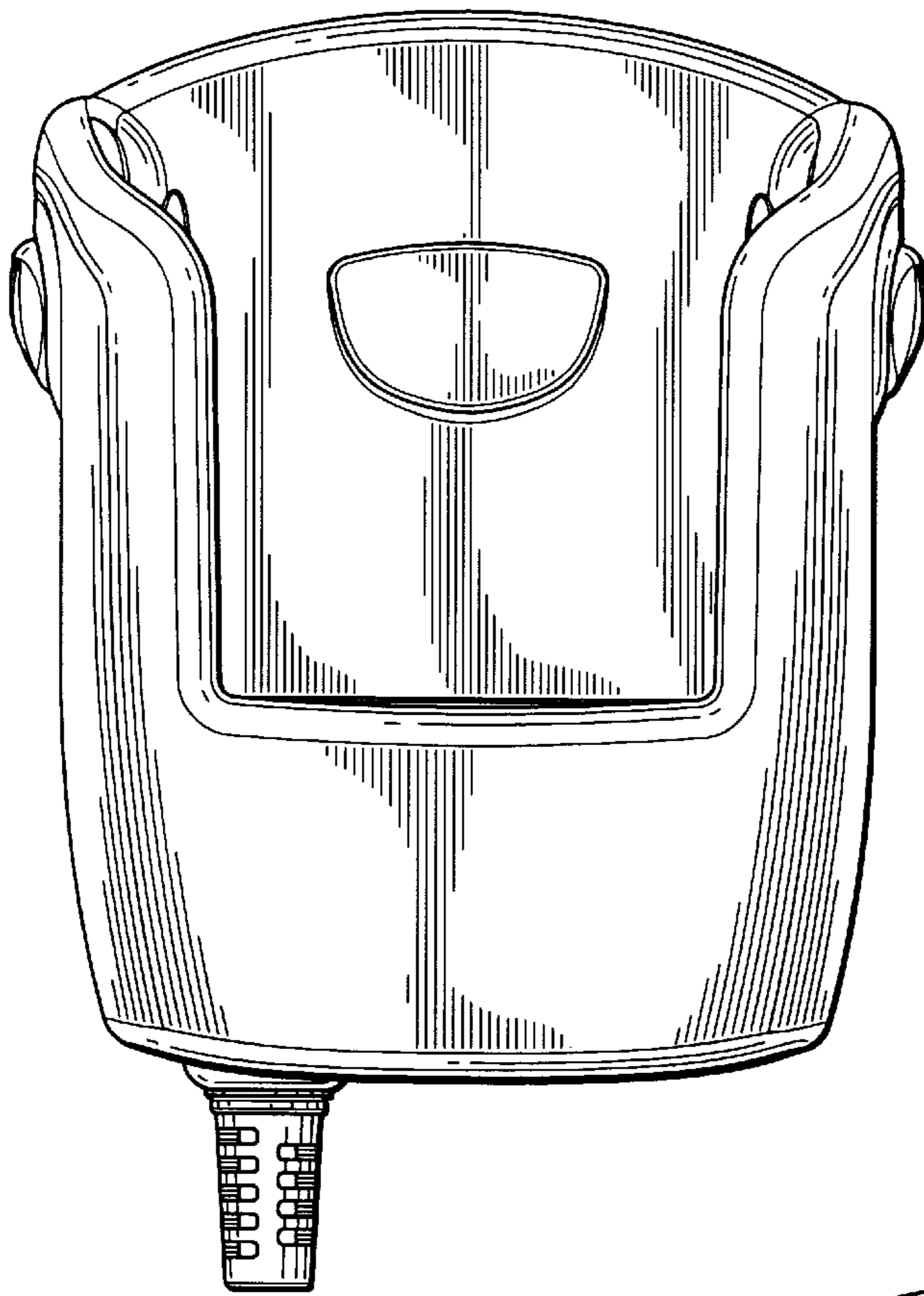


FIG. 1

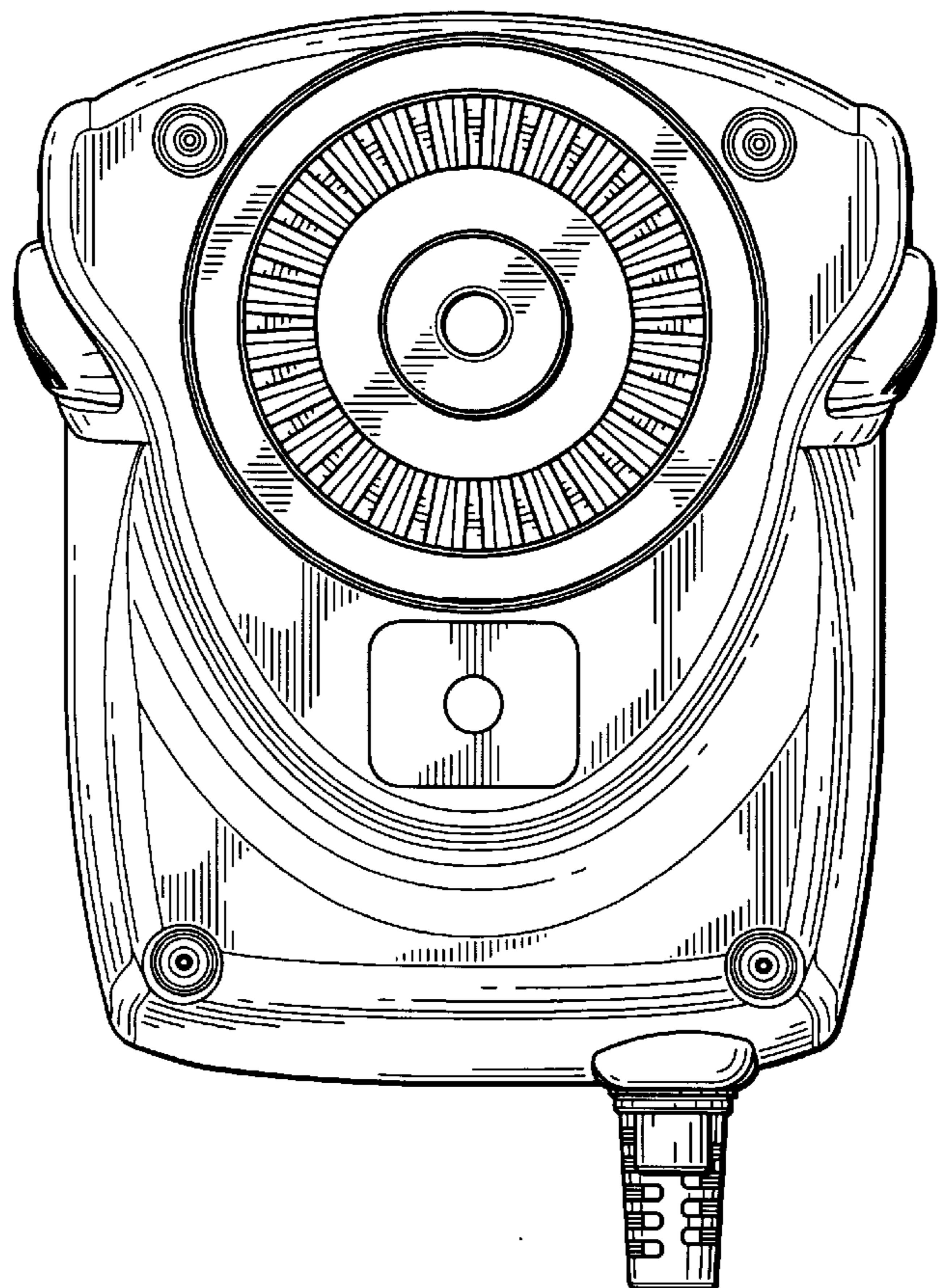


FIG. 2

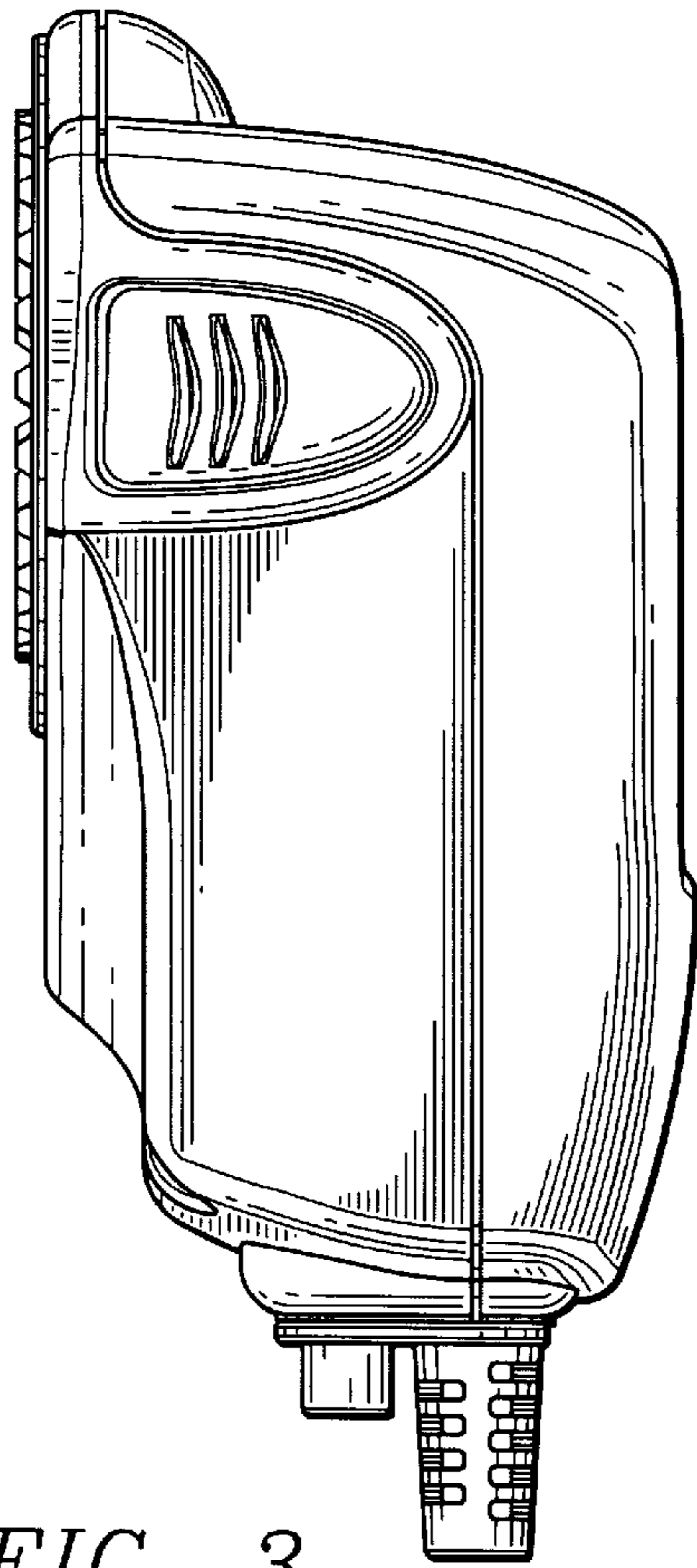


FIG. 3

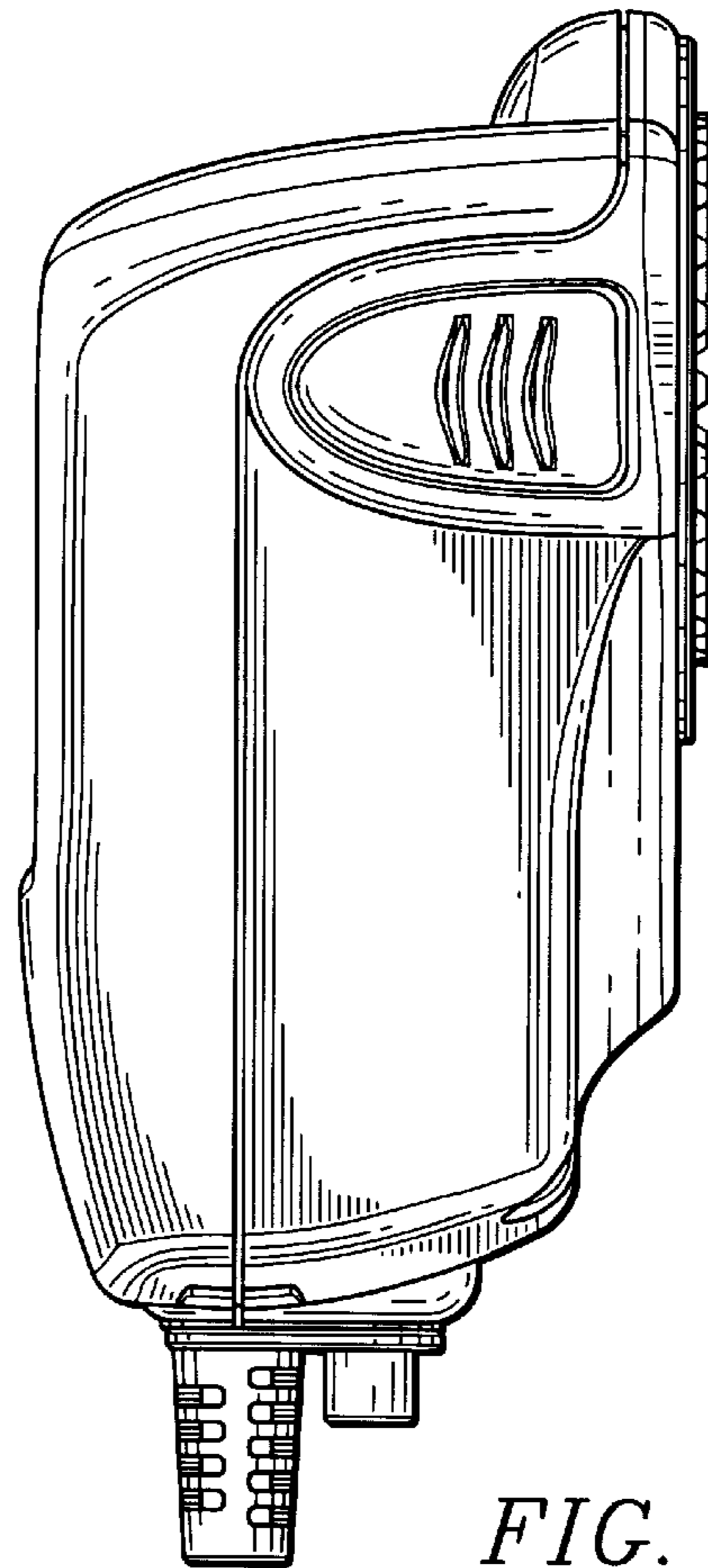


FIG. 4

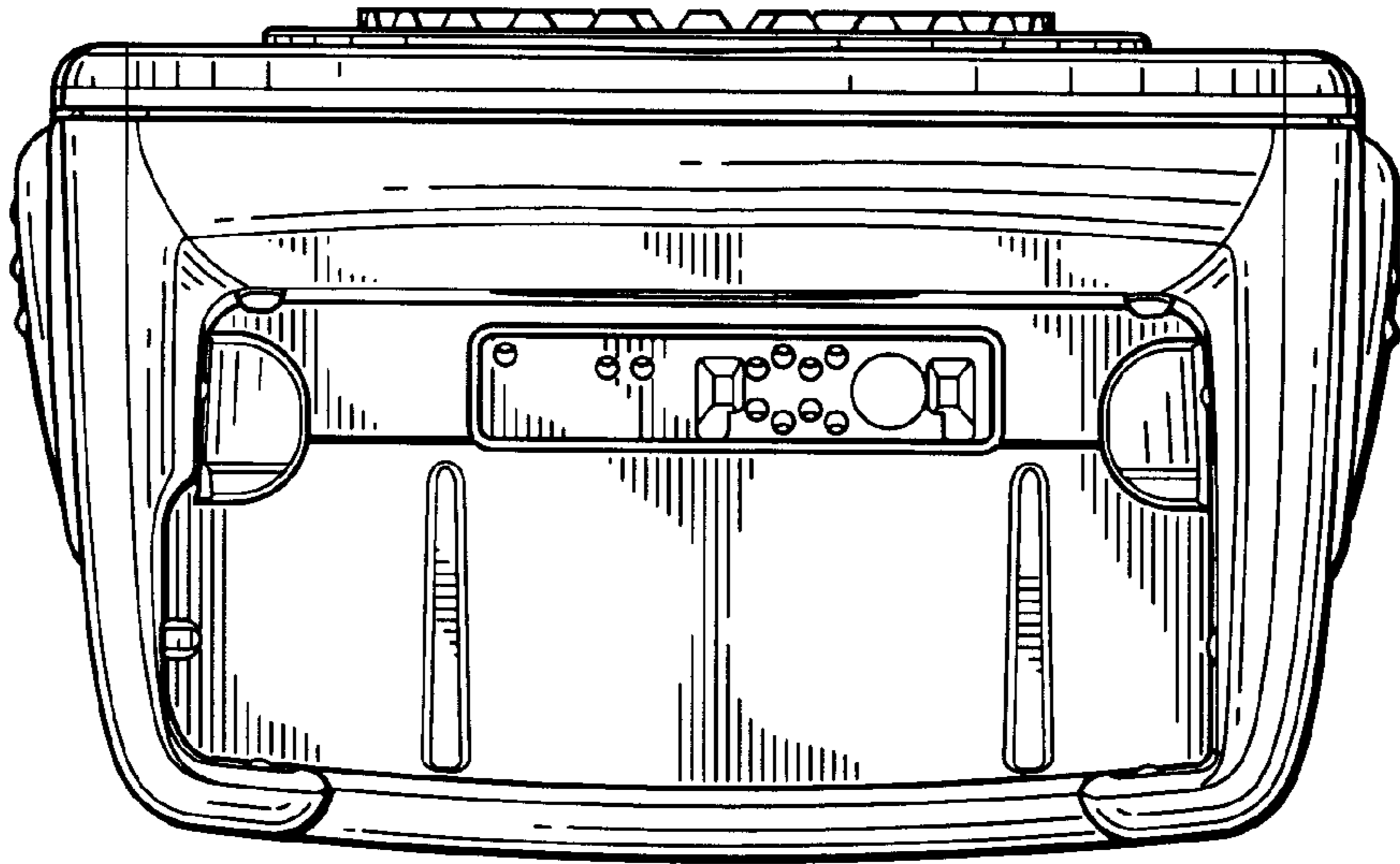


FIG. 5

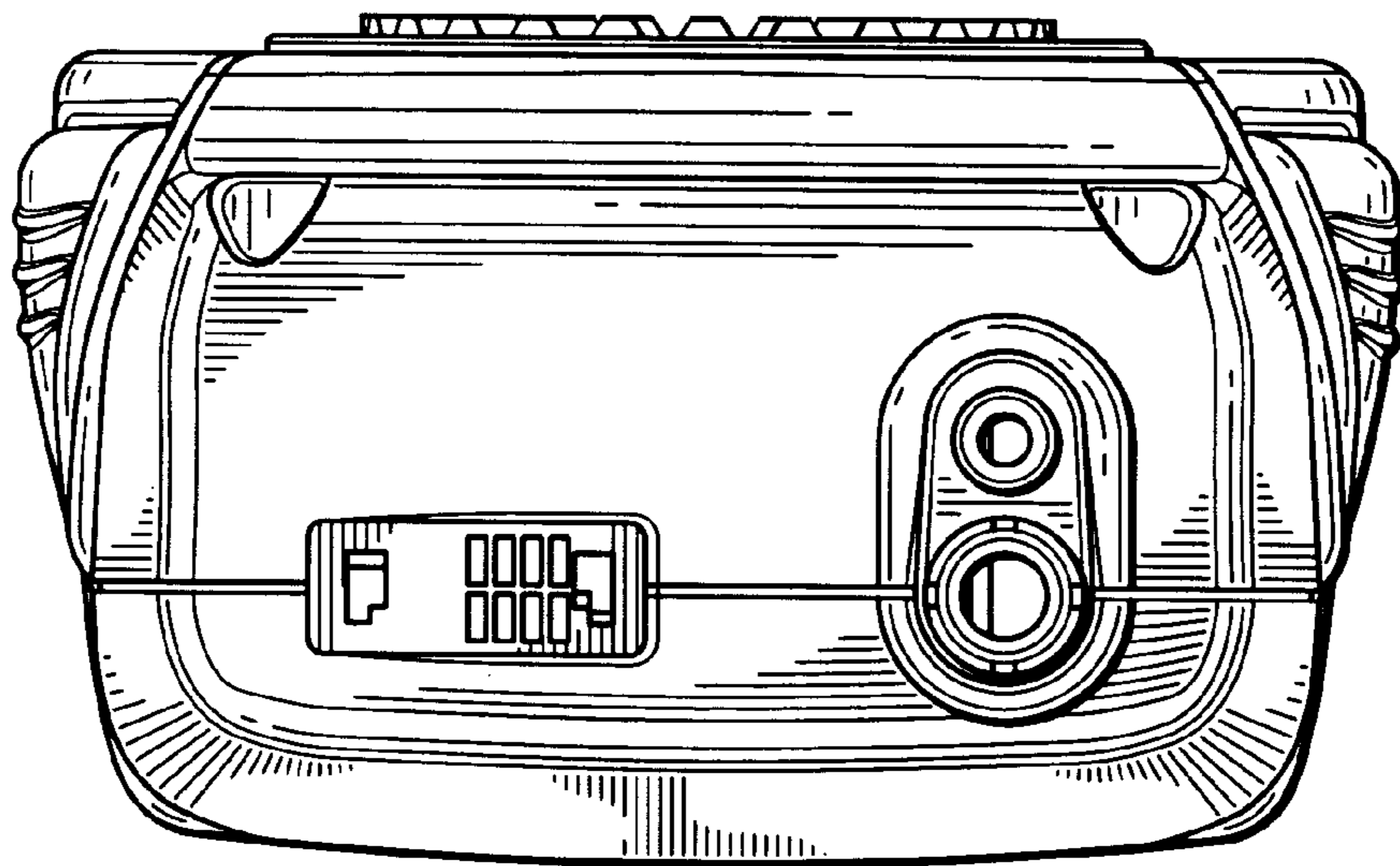


FIG. 6

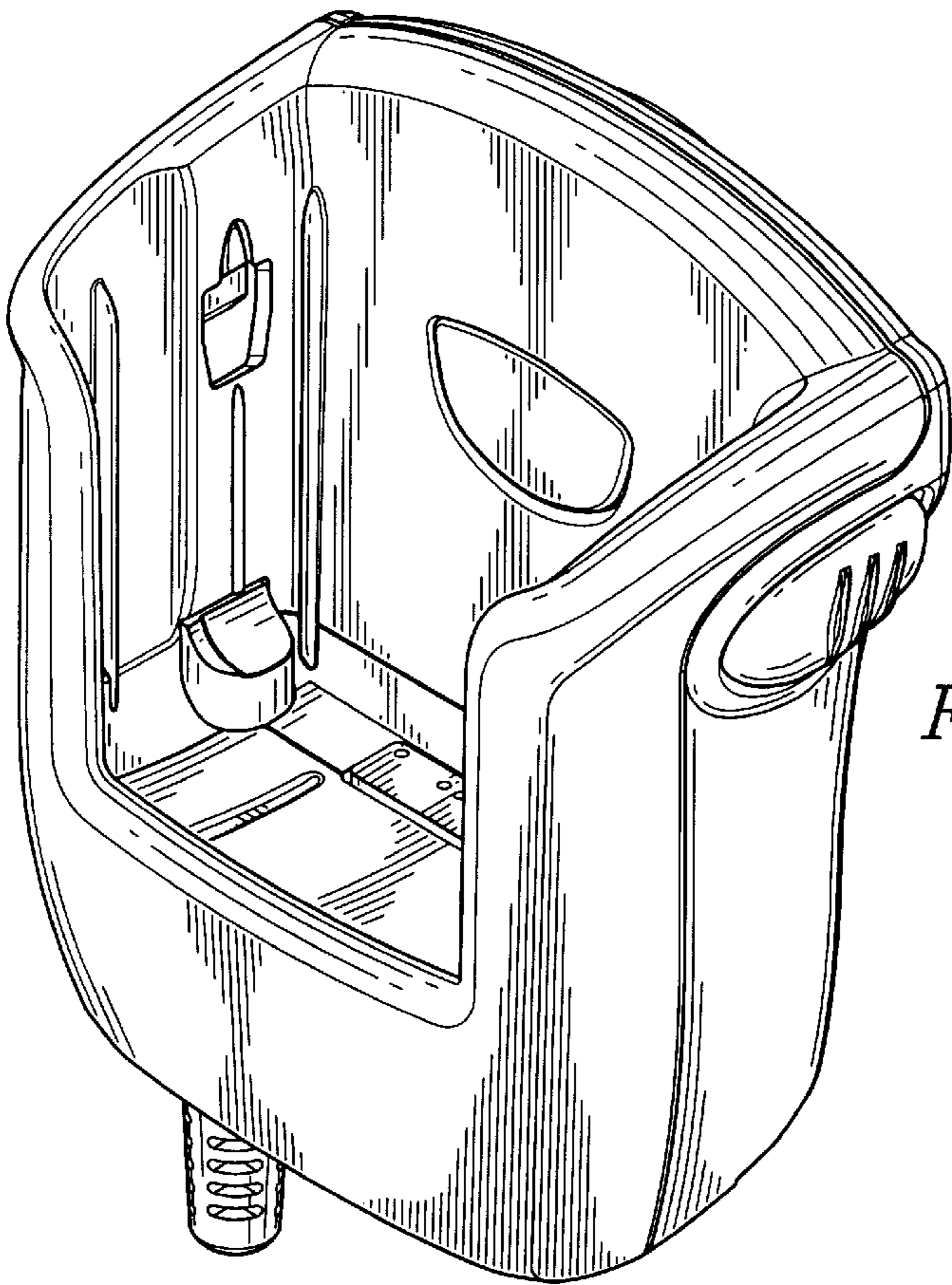


FIG. 7

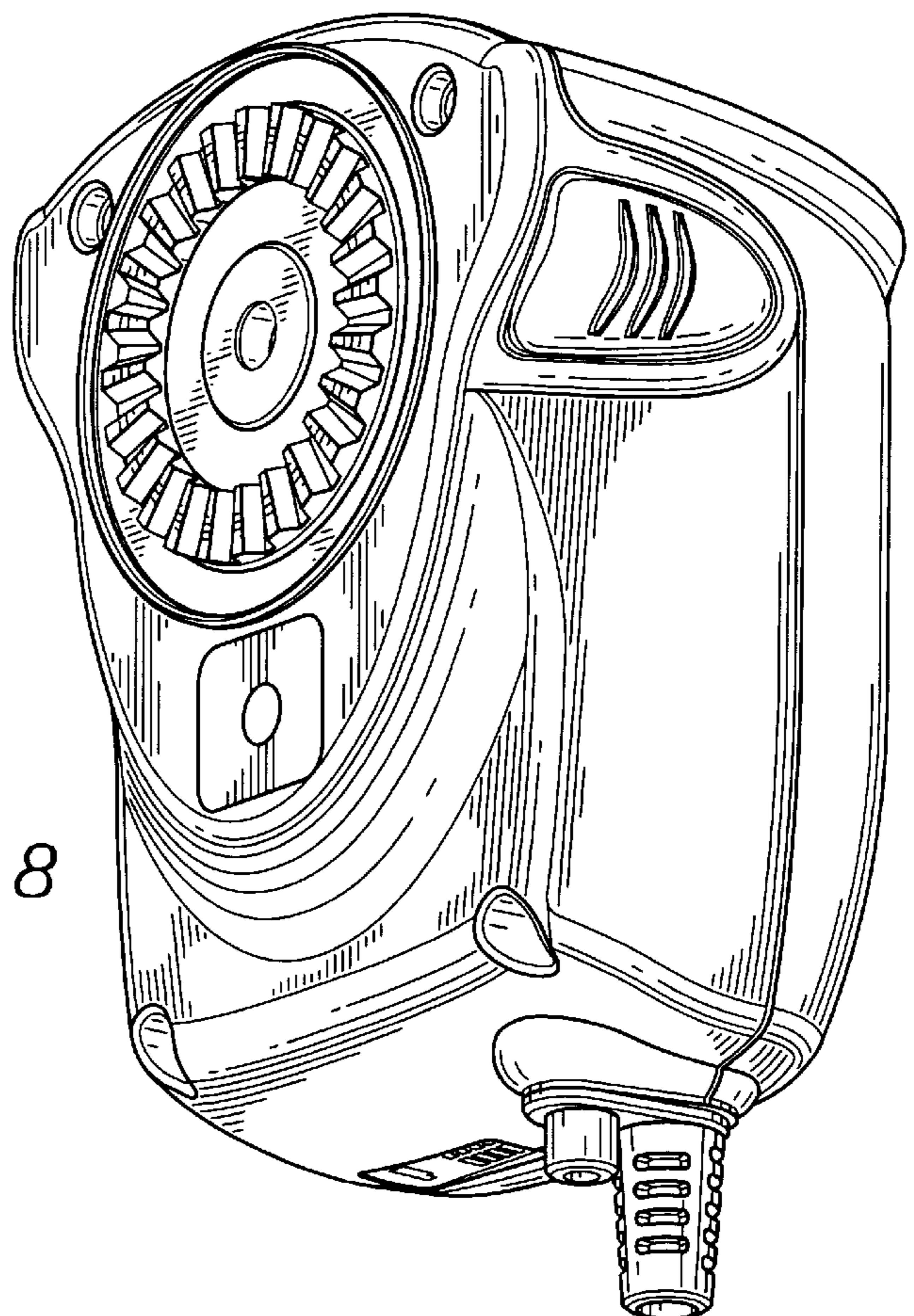


FIG. 8