



US00D441710S

(12) **United States Design Patent**
Moehle et al.

(10) **Patent No.:** **US D441,710 S**

(45) **Date of Patent:** **** May 8, 2001**

(54) **WORK VEHICLE FUEL TANK**

(75) Inventors: **Kenneth A. Moehle; Darrel J. Svendsen; John M. Zeni**, all of Racine, WI (US)

(73) Assignee: **Case Corporation**, Racine, WI (US)

(**) Term: **14 Years**

(21) Appl. No.: **29/107,551**

(22) Filed: **Jul. 8, 1999**

(51) **LOC (7) Cl.** **12-06**

(52) **U.S. Cl.** **D12/218**

(58) **Field of Search** D12/218; 280/834,
280/288.4; 180/69.4, 69.5, 89.12, 900;
D15/15, 23

(56) **References Cited**

U.S. PATENT DOCUMENTS

D. 214,435	*	6/1969	Naeve	D12/218
D. 219,011	*	10/1970	Marushak et al.	D12/218
D. 256,801		9/1980	Skyer et al.	.	
D. 355,423		2/1995	Woods et al.	.	
4,268,048	*	5/1981	Teraoka et al.	280/834
4,288,086	*	9/1981	Oban et al.	280/834
4,480,845	*	11/1984	Hansen	280/834

* cited by examiner

Primary Examiner—Alan P. Douglas

Assistant Examiner—Linda Brooks

(74) *Attorney, Agent, or Firm*—Case Corporation

(57) **CLAIM**

The ornamental design for a work vehicle fuel tank, as shown and described.

DESCRIPTION

FIG. 1 is an elevated perspective view as seen from the left front of the work vehicle fuel tank embodying our design; FIG. 2 is a front elevation view illustrating the work vehicle fuel tank;

FIG. 3 is a top elevation view illustrating the work vehicle fuel tank;

FIG. 4 is a left side elevation view illustrating the work vehicle fuel tank; and

FIG. 5 is a right side elevation view illustrating the work vehicle fuel tank; and,

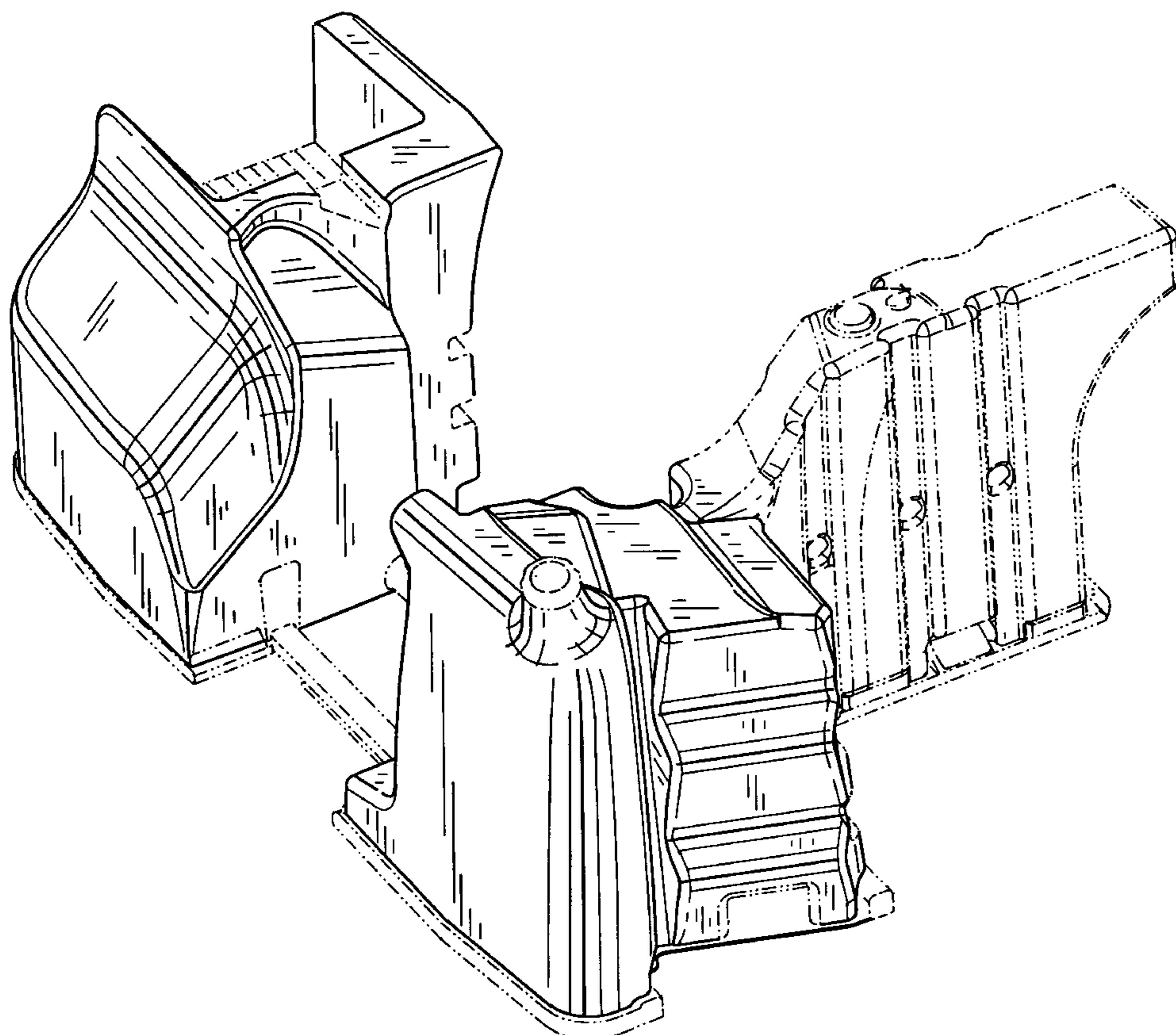
FIG. 6 is an elevated perspective view as seen from the left front of the work vehicle fuel tank embodying our design, the fuel tank mounted on the work vehicle.

FIGS. 1-5 are shown on an enlarged scale in relation to FIG. 6.

The bottom view is planar and unadorned.

The broken lines shown are for illustrative purposes only and form no part of the claimed design.

1 Claim, 4 Drawing Sheets



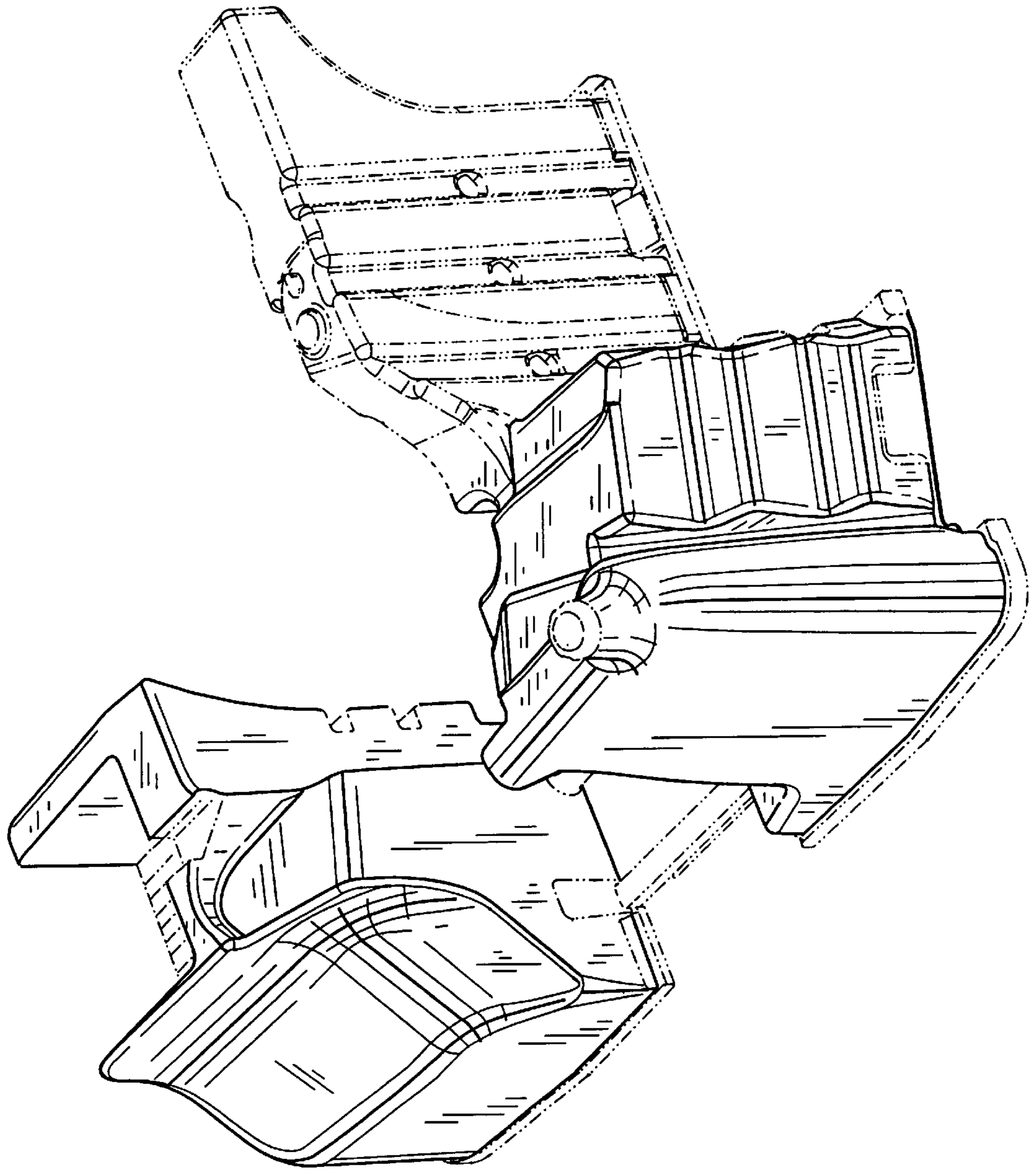


FIG. 1

FIG. 2

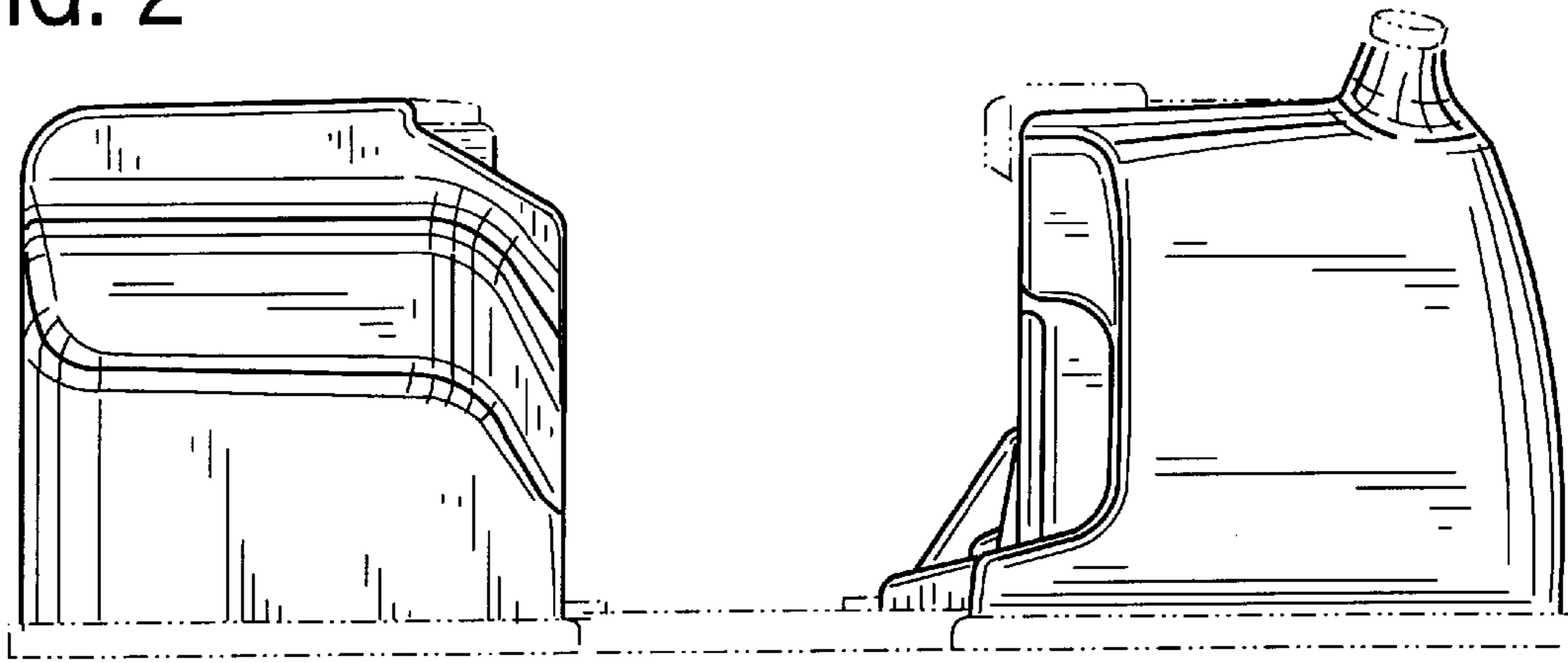


FIG. 3

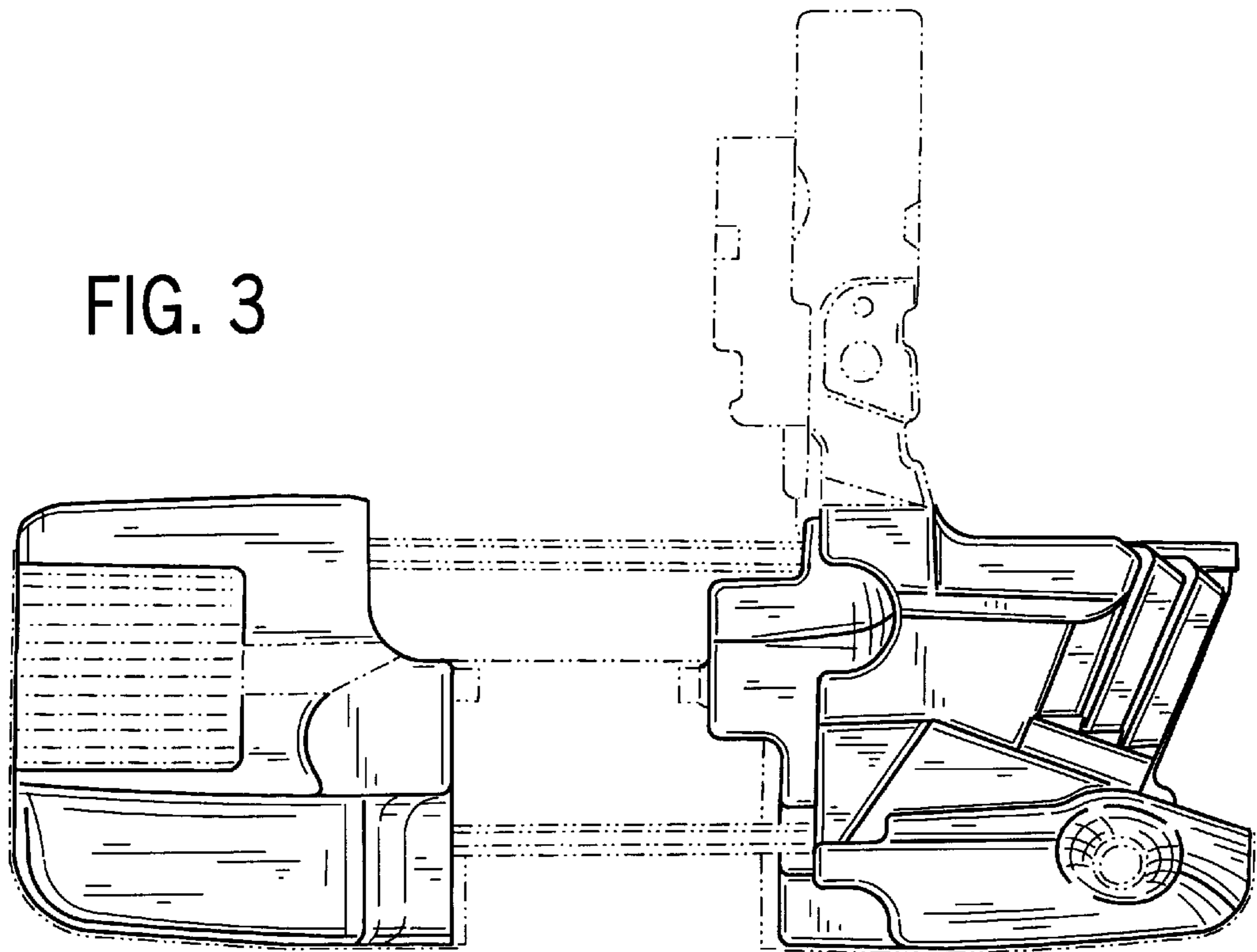


FIG. 4

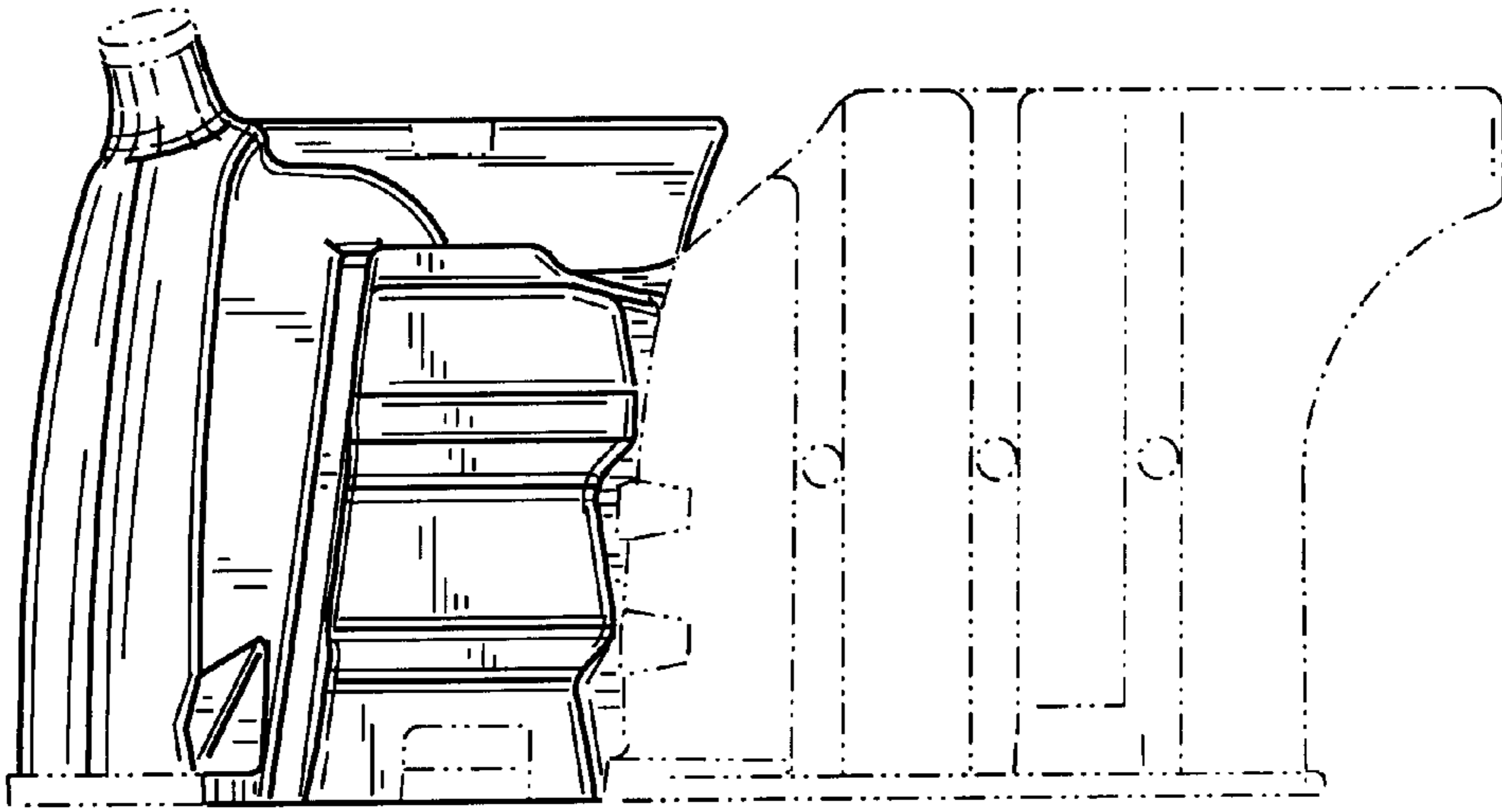
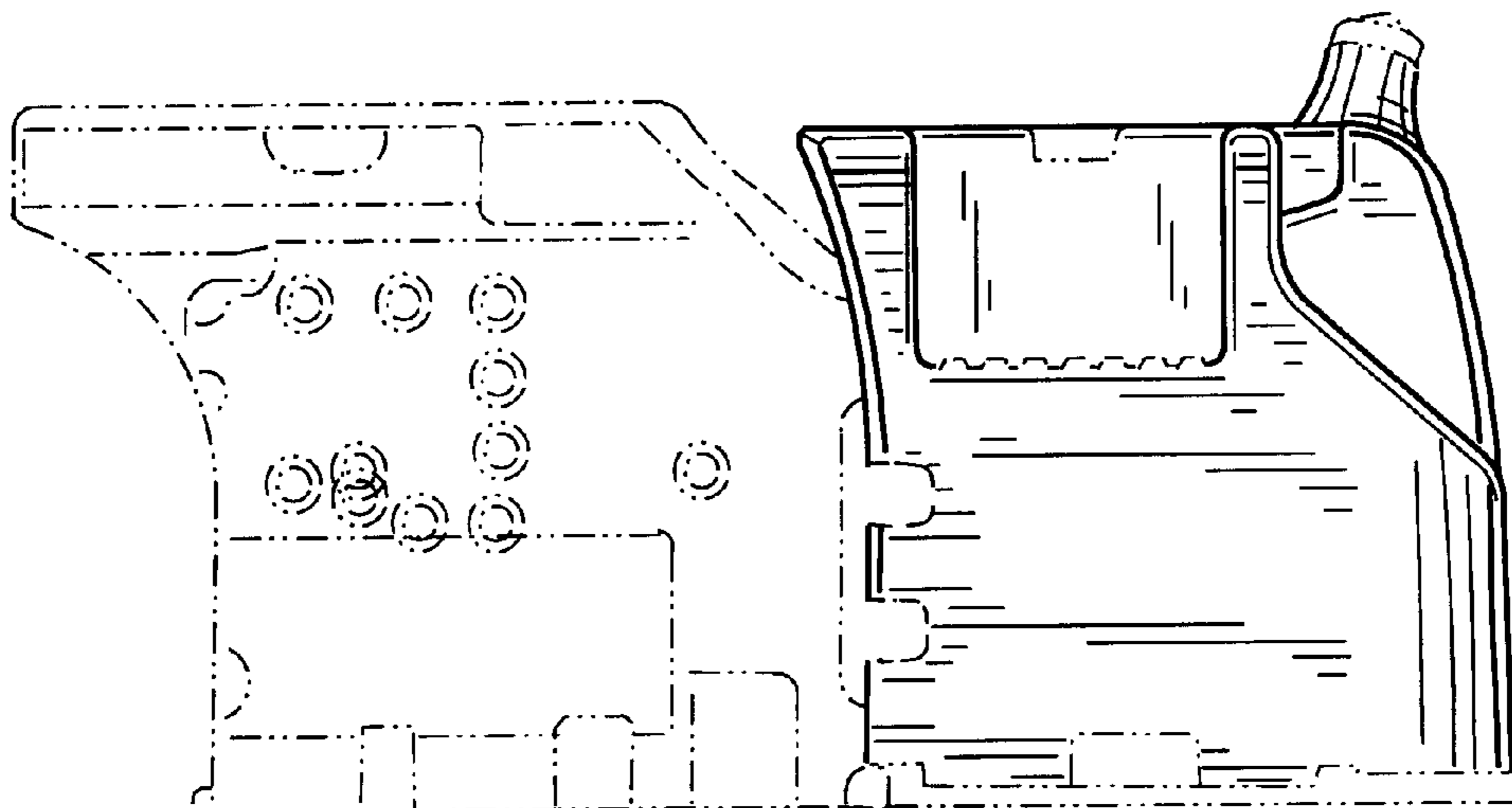


FIG. 5



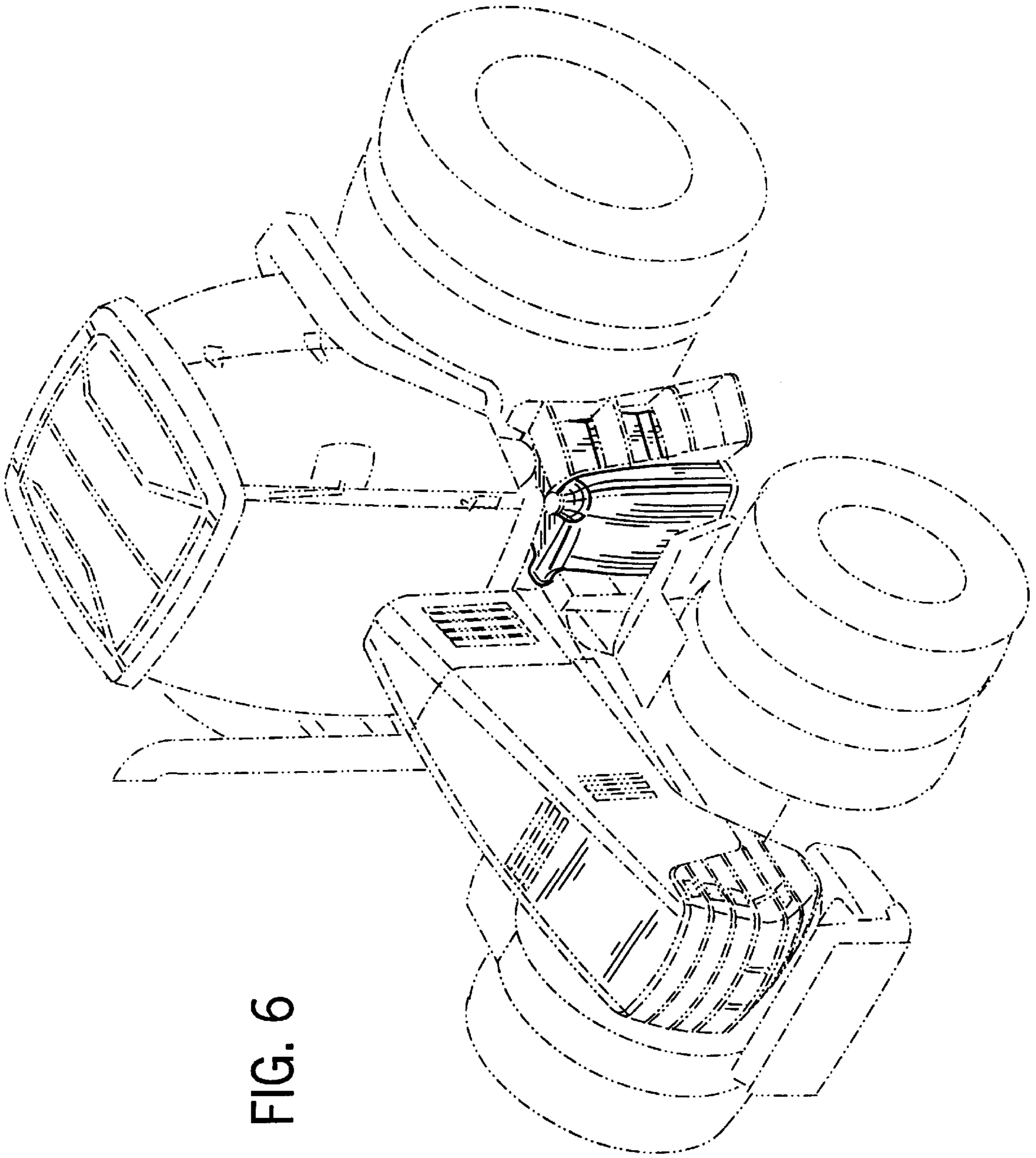


FIG. 6