



US00D441706S

(12) **United States Design Patent**
Pfeiffer

(10) **Patent No.:** **US D441,706 S**

(45) **Date of Patent:** **** May 8, 2001**

(54) **FRONT FACE OF A VEHICLE WHEEL**

(75) **Inventor:** **Peter Pfeiffer**, Boeblingen (DE)

(73) **Assignee:** **DaimlerChrysler AG**, Stuttgart (DE)

(**) **Term:** **14 Years**

(21) **Appl. No.:** **29/111,256**

(22) **Filed:** **Oct. 13, 1999**

(30) **Foreign Application Priority Data**

Apr. 13, 1999 (DE) 499 03 636

(51) **LOC (7) Cl.** **12-16**

(52) **U.S. Cl.** **D12/209**

(58) **Field of Search** D12/204-211;
301/37.1, 64.1, 65

(56) **References Cited**

U.S. PATENT DOCUMENTS

- D. 329,416 * 9/1992 Braungart et al. D12/209
- D. 388,047 * 12/1997 Pfeiffer et al. D12/211
- D. 393,825 * 4/1998 Fike D12/209
- D. 398,275 * 9/1998 Neeper D12/209
- D. 401,899 * 12/1998 Pfeiffer D12/209

- D. 407,681 * 4/1999 Sacco et al. D12/209
- D. 409,968 * 5/1999 Goplen D12/211
- D. 413,298 * 8/1999 Hussaini et al. D12/211
- D. 420,967 * 2/2000 Sacco et al. D12/209
- D. 425,847 * 5/2000 Iguchi D12/209
- D. 434,712 * 12/2000 Chung D12/209
- D. 436,569 * 1/2001 Brown et al. D12/209

* cited by examiner

Primary Examiner—Stacia Cadmus

(74) *Attorney, Agent, or Firm*—Evenson, McKeown, Edwards & Lenahan, P.L.L.C.

(57) **CLAIM**

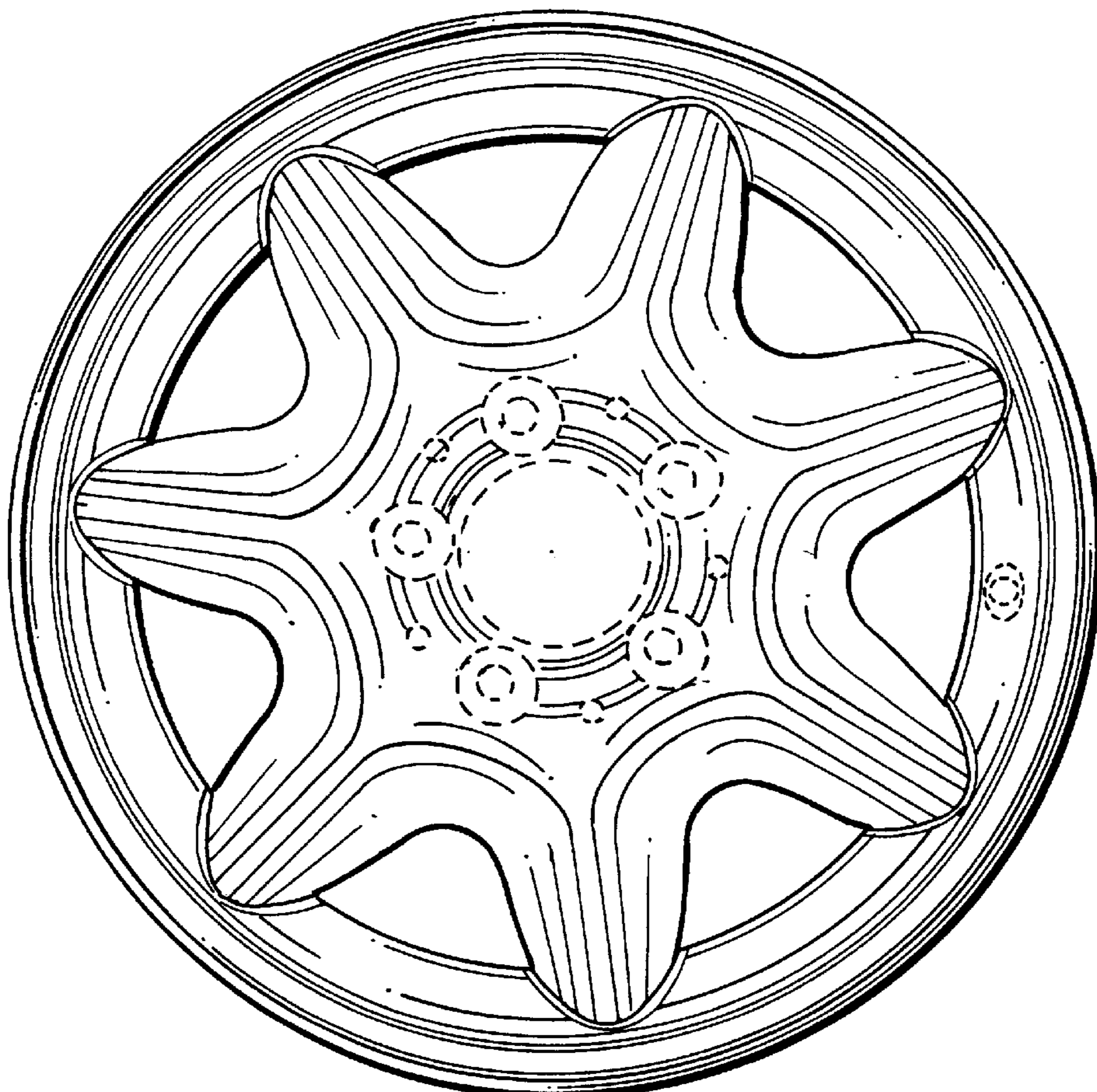
The ornamental design for a front face of a vehicle wheel, as shown and described.

DESCRIPTION

FIG. 1 is a front view of a front face of a vehicle wheel according to my novel design; and, FIG. 2 is a perspective view of the front face of a vehicle wheel according to my novel design.

The dash lines included depict environment and are not part of the claimed design.

1 Claim, 1 Drawing Sheet



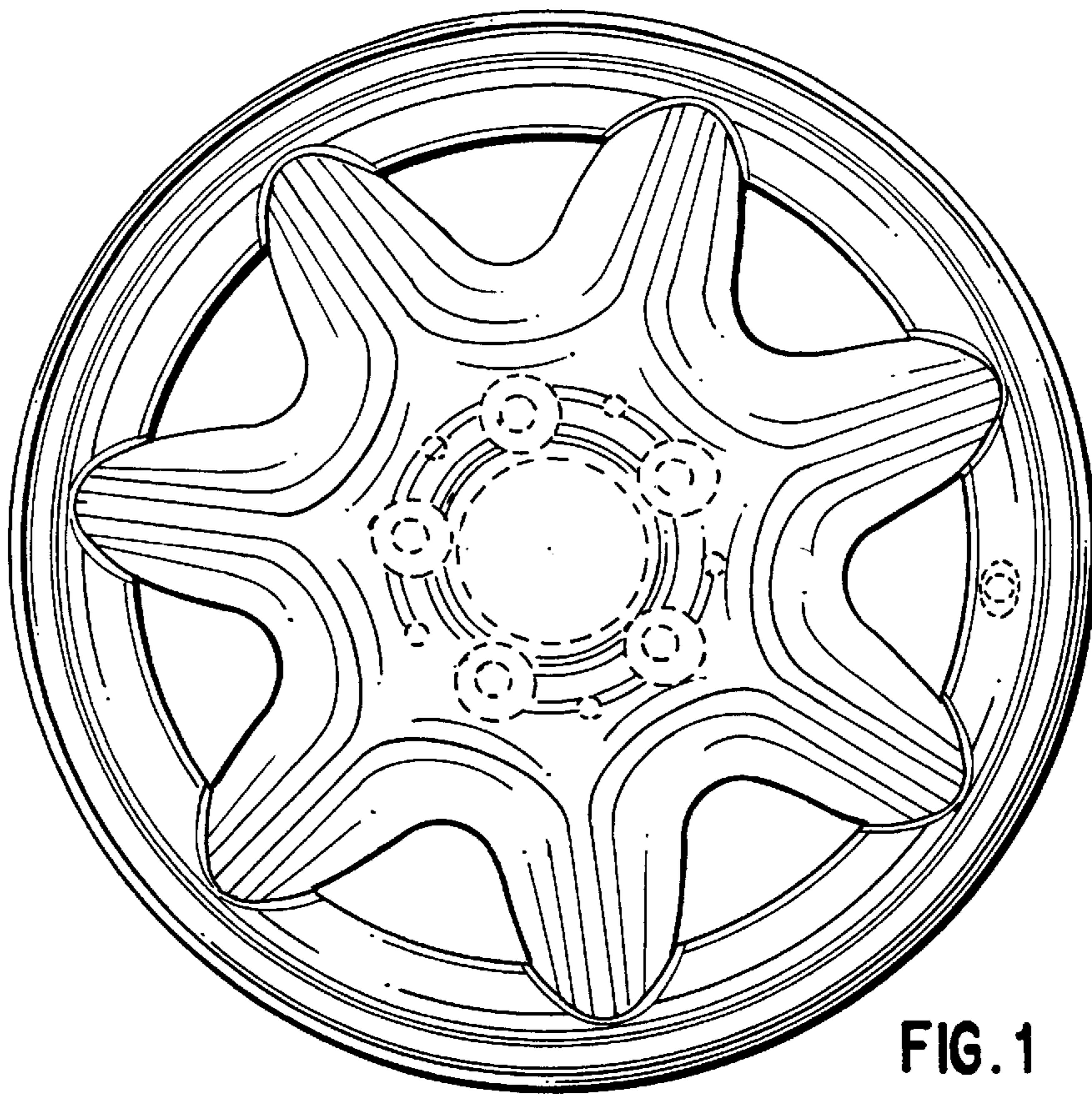


FIG. 1

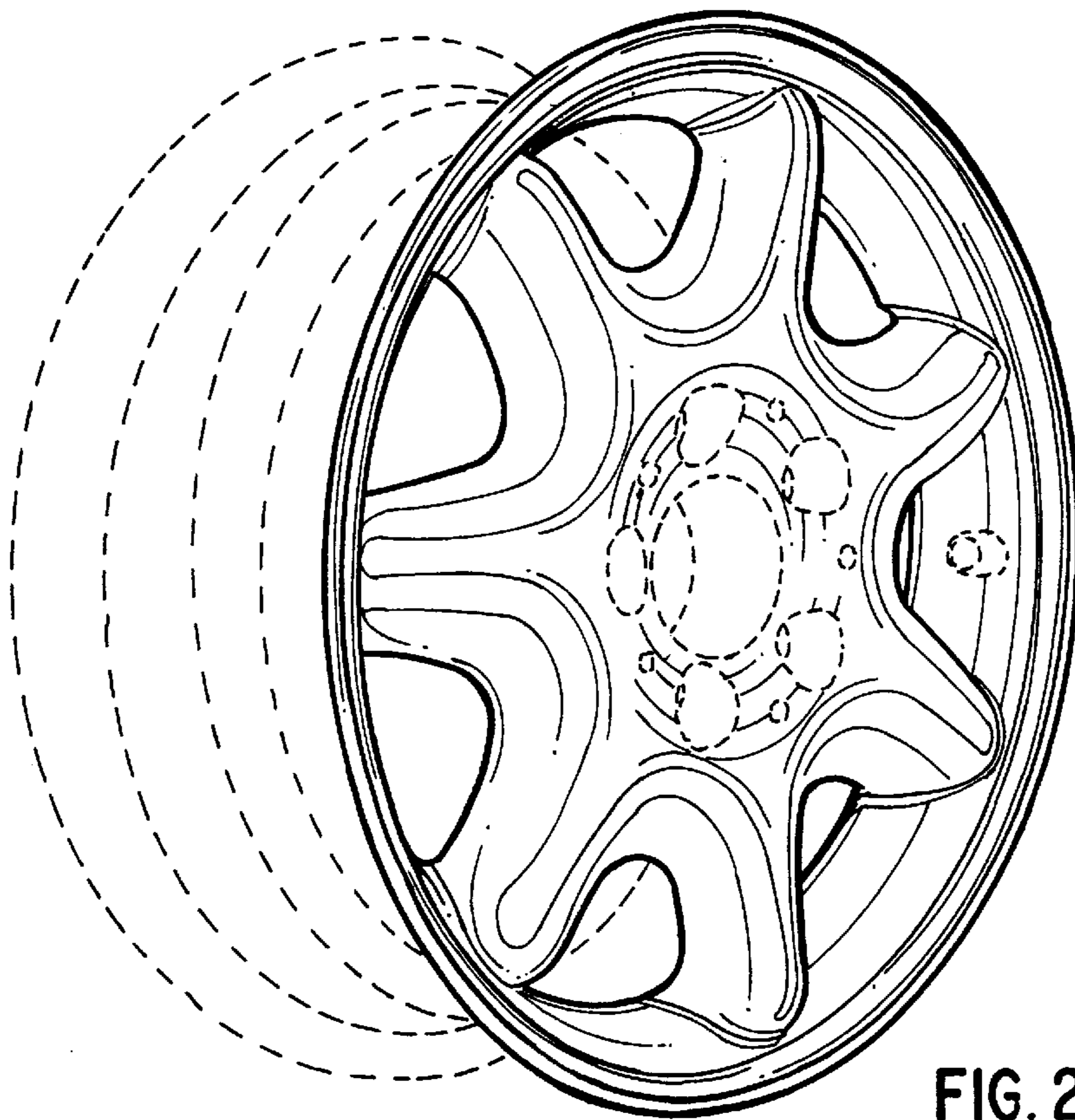


FIG. 2