



US00D441687S

(12) **United States Design Patent**
Anderson

(10) **Patent No.:** **US D441,687 S**

(45) **Date of Patent:** **** May 8, 2001**

(54) **COMBINED PIN AND CLIP**

(76) Inventor: **Viney L Anderson**, 5535 Sonata La.,
Dallas, TX (US) 75241

(**) Term: **14 Years**

3,256,626	6/1966	Stoffel .	
3,263,352	*	8/1966	Fitzpatrick 40/1.5
4,097,971	*	7/1978	Morris 40/1.5
5,031,344	*	7/1991	Goroza 63/1.11
5,429,393	*	7/1995	Parlo 283/108
6,086,971	*	7/2000	Haas et al. 40/1.5

(21) Appl. No.: **29/118,112**

(22) Filed: **Feb. 4, 2000**

(51) **LOC (7) Cl.** **11-03**

(52) **U.S. Cl.** **D11/95**

(58) **Field of Search** D11/1, 2, 7, 40,
D11/43-49, 53, 79-83, 95-102; 24/107,
253; 40/1.5, 2.2, 622, 616, 634; 63/12,
13, 14.5, 20; 283/108; D21/173

(56) **References Cited**

U.S. PATENT DOCUMENTS

D. 148,549	2/1948	Kohn .	
D. 150,880	9/1948	Manry .	
D. 165,612	1/1952	Shuman .	
D. 223,467	4/1972	Molinoff .	
D. 251,777	*	5/1979	Canfield D11/136
D. 315,119	*	3/1991	Freeman et al. D11/95
D. 381,285	7/1997	Cohen .	
1,462,193	*	7/1923	Cook 40/634
2,328,206	*	8/1943	Fowler 40/1.5
2,762,146	*	9/1956	Milazzo 40/1.5

* cited by examiner

Primary Examiner—Ralf Seifert

(57) **CLAIM**

The ornamental design for a combined pin and clip, as shown and described.

DESCRIPTION

FIG. 1 is a front elevational view of the combined pin and clip of the present invention;
 FIG. 2 is a rear elevational view of the combined pin and clip of FIG. 1;
 FIG. 3 is a left side elevational view of the combined pin and clip of FIG. 1;
 FIG. 4 is a right side elevational view of the combined pin and clip of FIG. 1;
 FIG. 5 is a top plan view of the combined pin and clip of FIG. 1; and,
 FIG. 6 is a bottom plan view of the combined pin and clip of FIG. 1.

1 Claim, 2 Drawing Sheets





Fig. 1

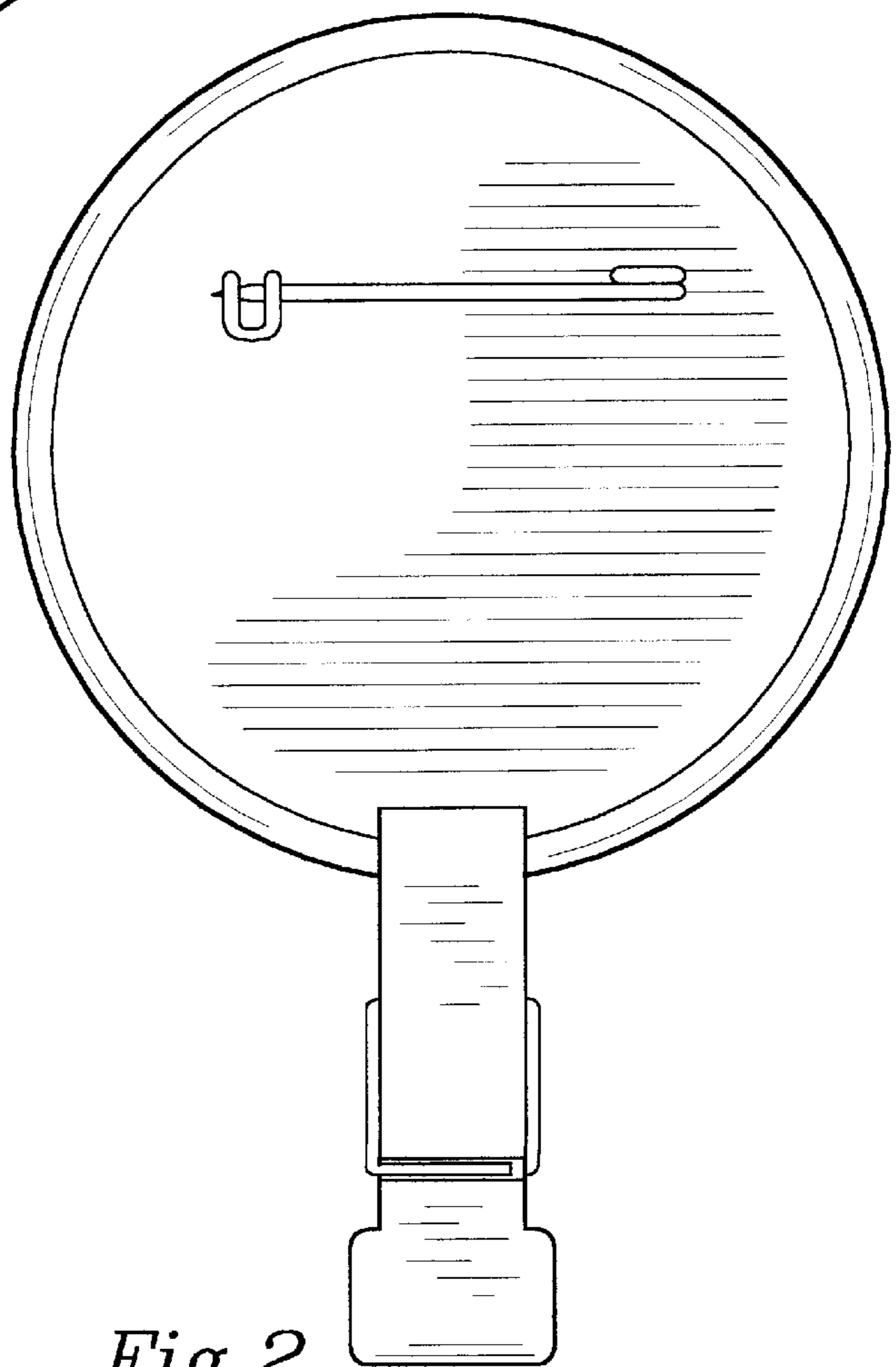


Fig. 2

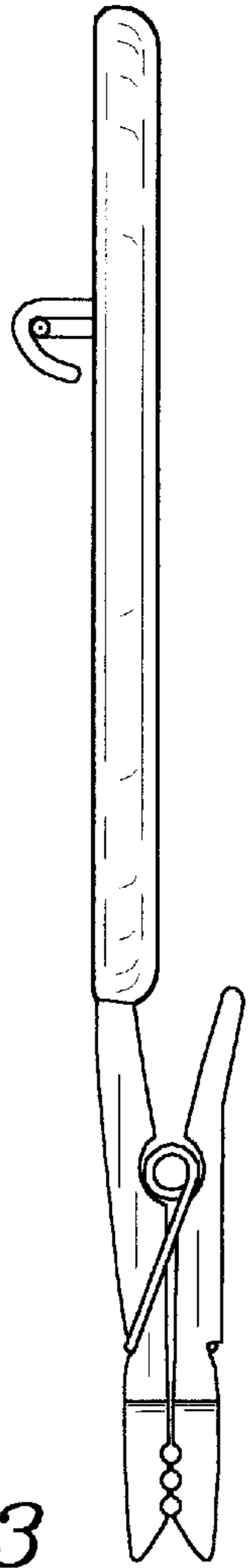


Fig. 3

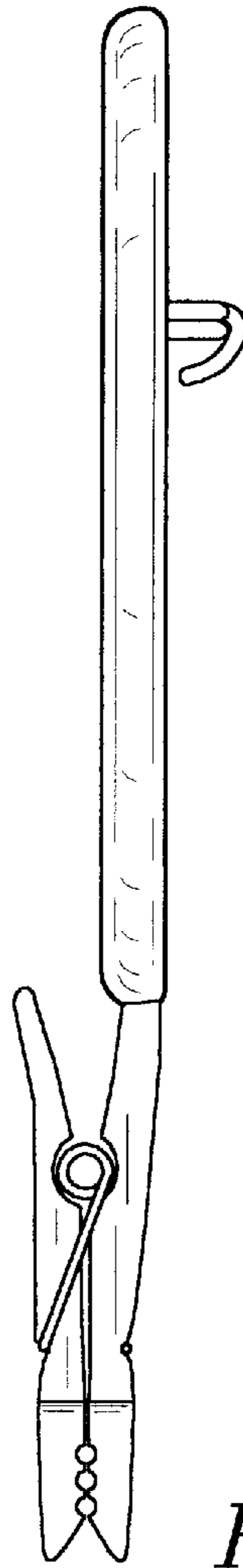


Fig. 4

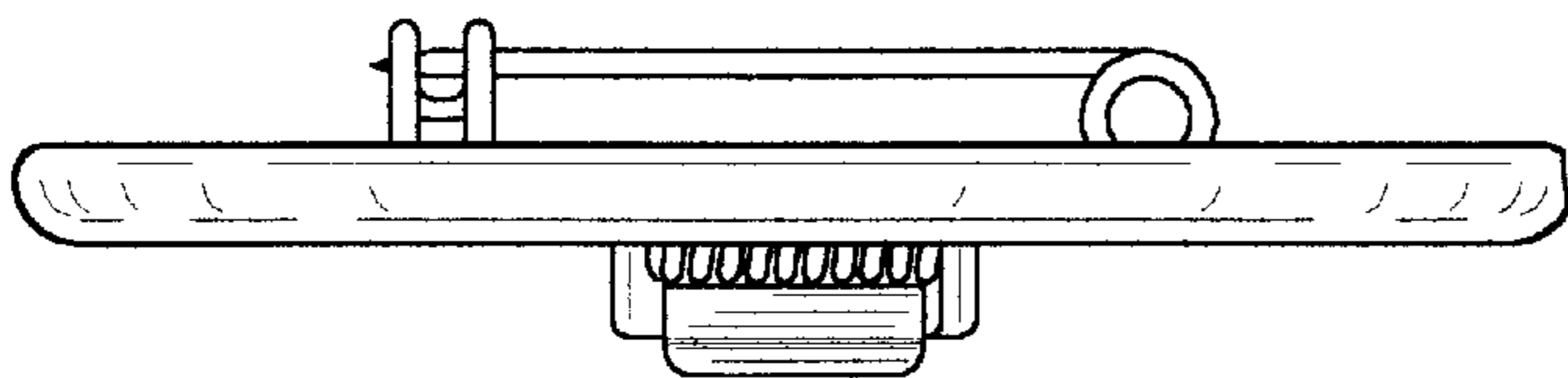


Fig. 5

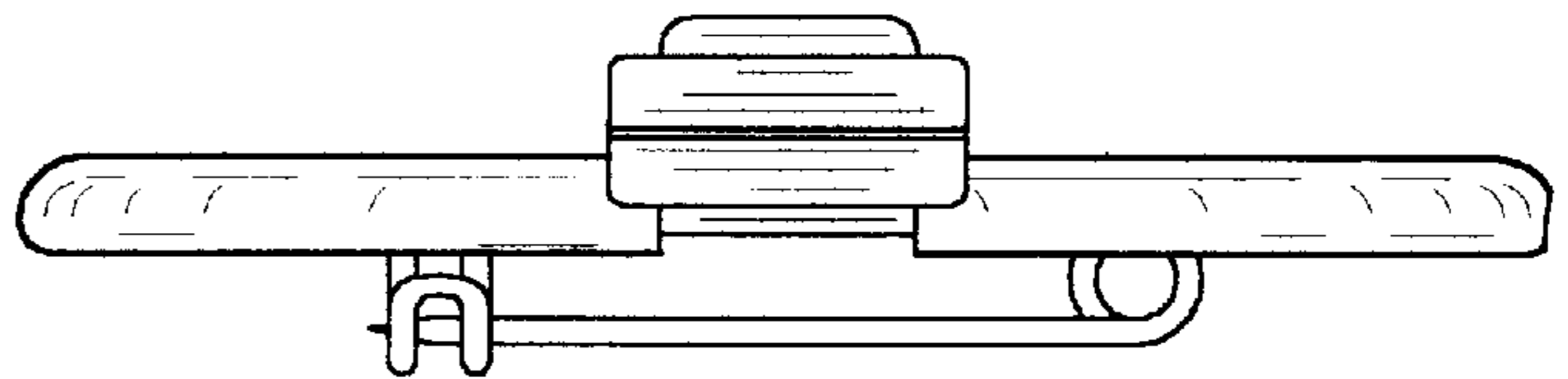


Fig. 6