



US00D441684S

(12) **United States Design Patent**  
**Kaválek**

(10) **Patent No.:** **US D441,684 S**

(45) **Date of Patent:** **\*\* \*May 8, 2001**

(54) **CUT STONE**

(75) **Inventor:** **Jaroslav Kaválek, Liberec (CZ)**

(73) **Assignee:** **Preciosa, a.s., Jablonec nad Nisou (CZ)**

(\* ) **Notice:** This patent is subject to a terminal disclaimer.

(\*\*) **Term:** **14 Years**

(21) **Appl. No.:** **29/099,209**

(22) **Filed:** **Jan. 15, 1999**

(30) **Foreign Application Priority Data**

Jul. 16, 1998 (CZ) ..... PVZ 31058-98  
Jul. 17, 1998 (CZ) ..... PVZ 31059-98

(51) **LOC (7) Cl.** ..... **11-01**

(52) **U.S. Cl.** ..... **D11/90**

(58) **Field of Search** ..... D11/1-6, 26-29,  
D11/35, 40, 86-92, 121, 131-133; 63/1.1,  
26, 15-15.4, 32

(56) **References Cited**

**U.S. PATENT DOCUMENTS**

D. 98,249 11/1936 Goldblatt .  
D. 99,568 5/1936 Cohn .  
D. 99,779 5/1936 Cohn .  
138,314 4/1873 Bruhl .  
D. 232,965 9/1974 Atwell .  
D. 268,653 4/1983 Sun .  
D. 382,506 8/1997 Cohen .  
D. 407,036 3/1999 Reisigl .  
D. 409,944 5/1999 Reisigl .  
469,496 2/1892 Bugbee .  
484,934 10/1892 Jacobson .

809,531 1/1906 Schenk .  
2,340,659 2/1944 Goldstein .  
2,364,031 11/1944 Suderov .  
2,519,547 8/1950 Colbert et al. .  
3,835,665 9/1974 Kitchel .  
5,612,102 3/1997 Nakama .

**FOREIGN PATENT DOCUMENTS**

24843 \* 4/1997 (AT) .

**OTHER PUBLICATIONS**

Swarovski Catalog Published 1989—4 Pages (With Partial English Translation).  
D. Swarovski and Co. Invoice Dated Jun. 24, 1994 (With Partial English Translation).  
Rio Grande Gemstones and Beads 1991-1992 Catalog p. 378, Sep. 1991.\*

\* cited by examiner

*Primary Examiner*—Ralf Seifert

(74) *Attorney, Agent, or Firm*—Birch, Stewart, Kolasch & Birch, LLP

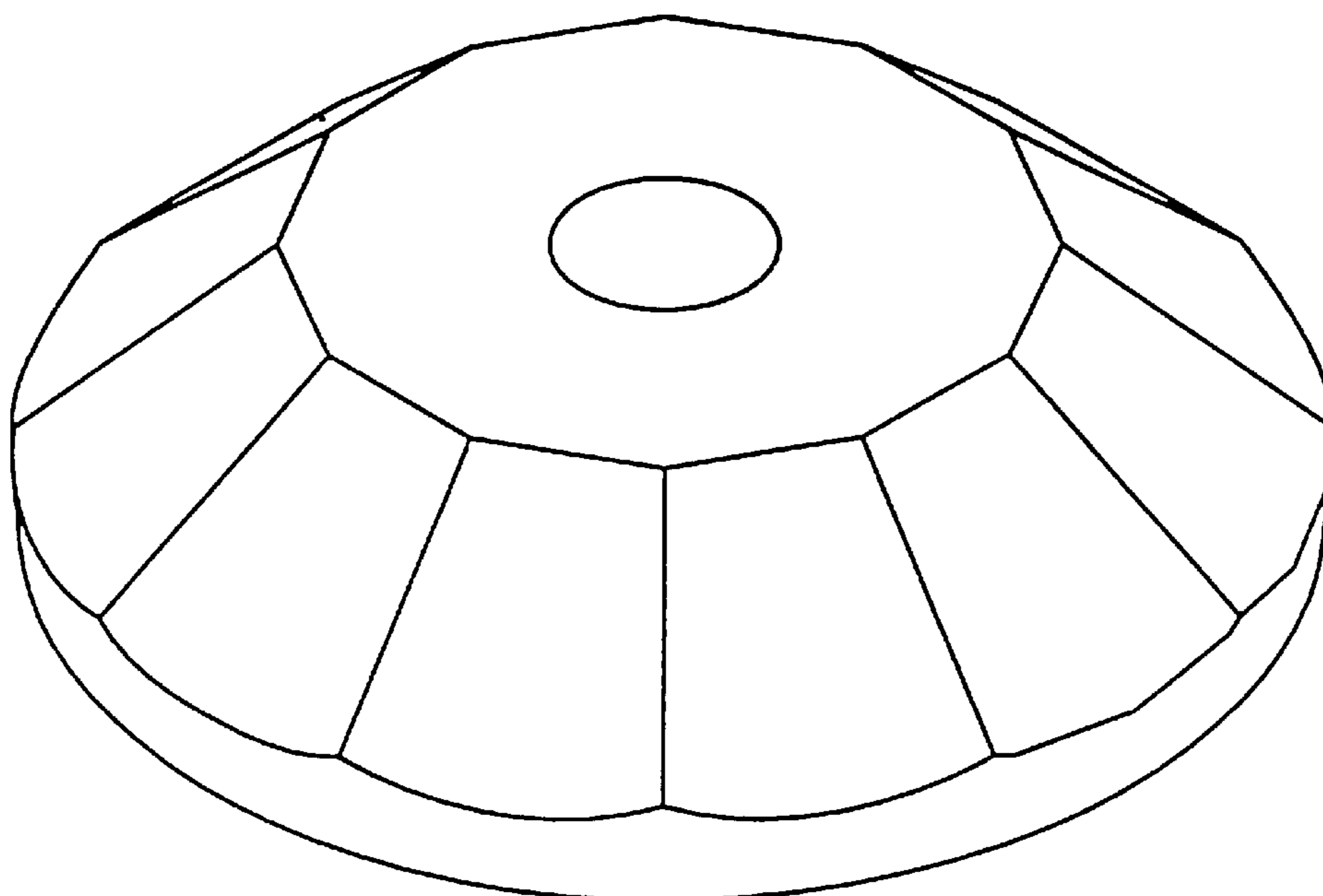
(57) **CLAIM**

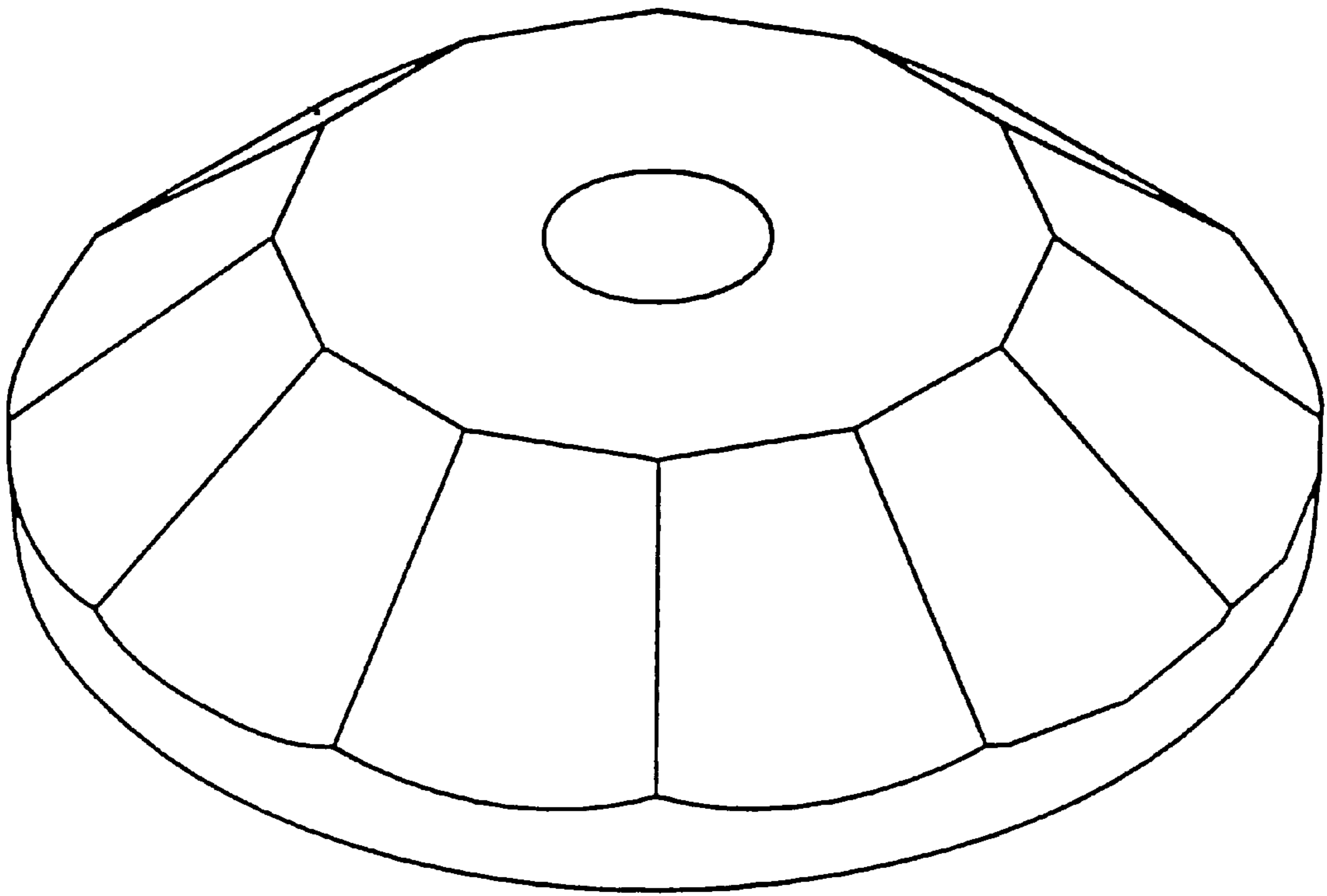
I claim the ornamental design of a cut stone, as shown and described.

**DESCRIPTION**

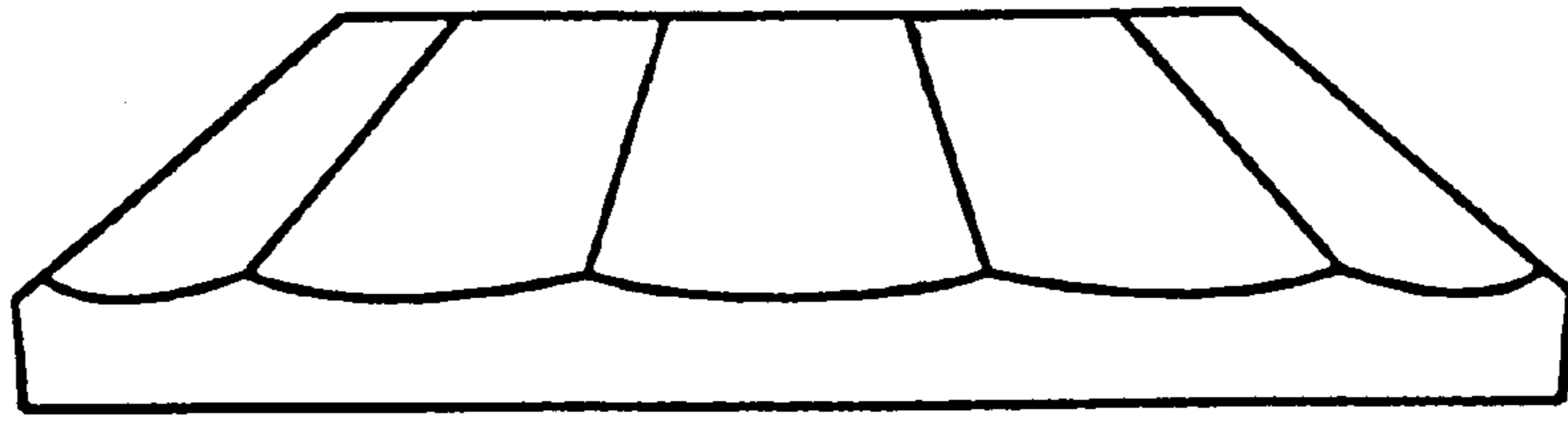
FIG. 1 is a front, perspective view of a first embodiment of a cut stone showing a 12×12 chaton rose having a girdle at the base of my new design;  
FIG. 2 is a front, elevational view of the cut stone of FIG. 1, the rear side elevational view being the same; and,  
FIG. 3 is a top plan view of the cut stone of FIG. 1, the bottom being flat and unornamented.

**1 Claim, 2 Drawing Sheets**

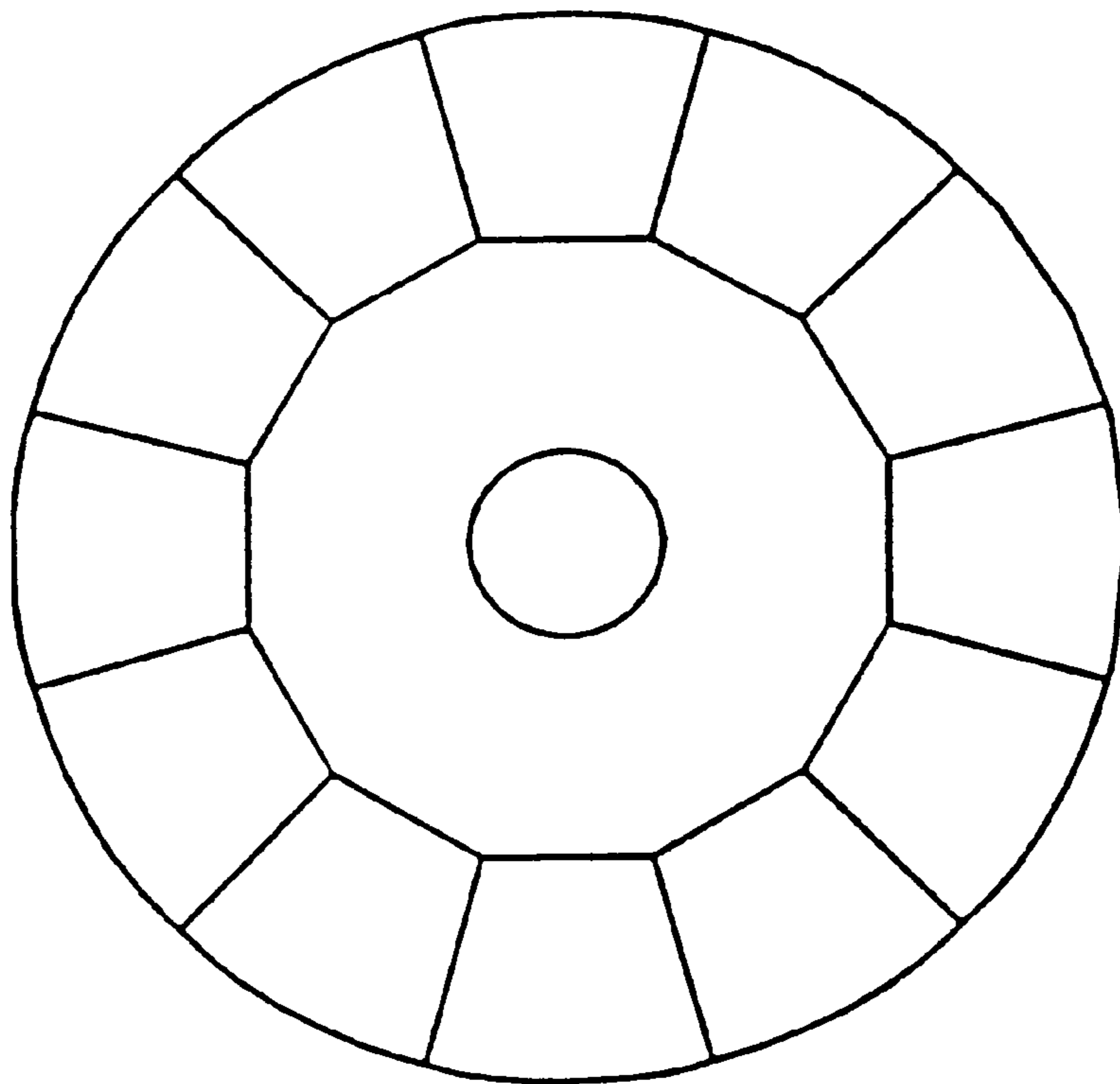




**Figure 1**



**Figure 2**



**Figure 3**