



US00D441679S

(12) **United States Design Patent**
Foiles

(10) **Patent No.:** **US D441,679 S**

(45) **Date of Patent:** **** May 8, 2001**

(54) **DUCK AND GOOSE CALL**

(76) Inventor: **Jeffery B. Foiles**, R.R. 1, Box 98A,
Kampsville, IL (US) 62053

(**) Term: **14 Years**

(21) Appl. No.: **29/125,292**

(22) Filed: **Jun. 21, 2000**

(51) **LOC (7) Cl.** **10-05**

(52) **U.S. Cl.** **D10/119**

(58) **Field of Search** D10/116, 119,
D10/120, 121; 116/137 R, 141, 142 R,
146; 446/202, 204, 205, 206, 207, 208,
209, 210, 211, 212, 213, 216

(56) **References Cited**

U.S. PATENT DOCUMENTS

D. 405,378 * 2/1999 Rhodes D10/119

* cited by examiner

Primary Examiner—Marcus A. Jackson

(74) *Attorney, Agent, or Firm*—Grace J. Fishel

(57) **CLAIM**

The ornamental design for a duck and goose call, as shown and described.

DESCRIPTION

FIG. 1 is a perspective view of a duck and goose call showing my new design;

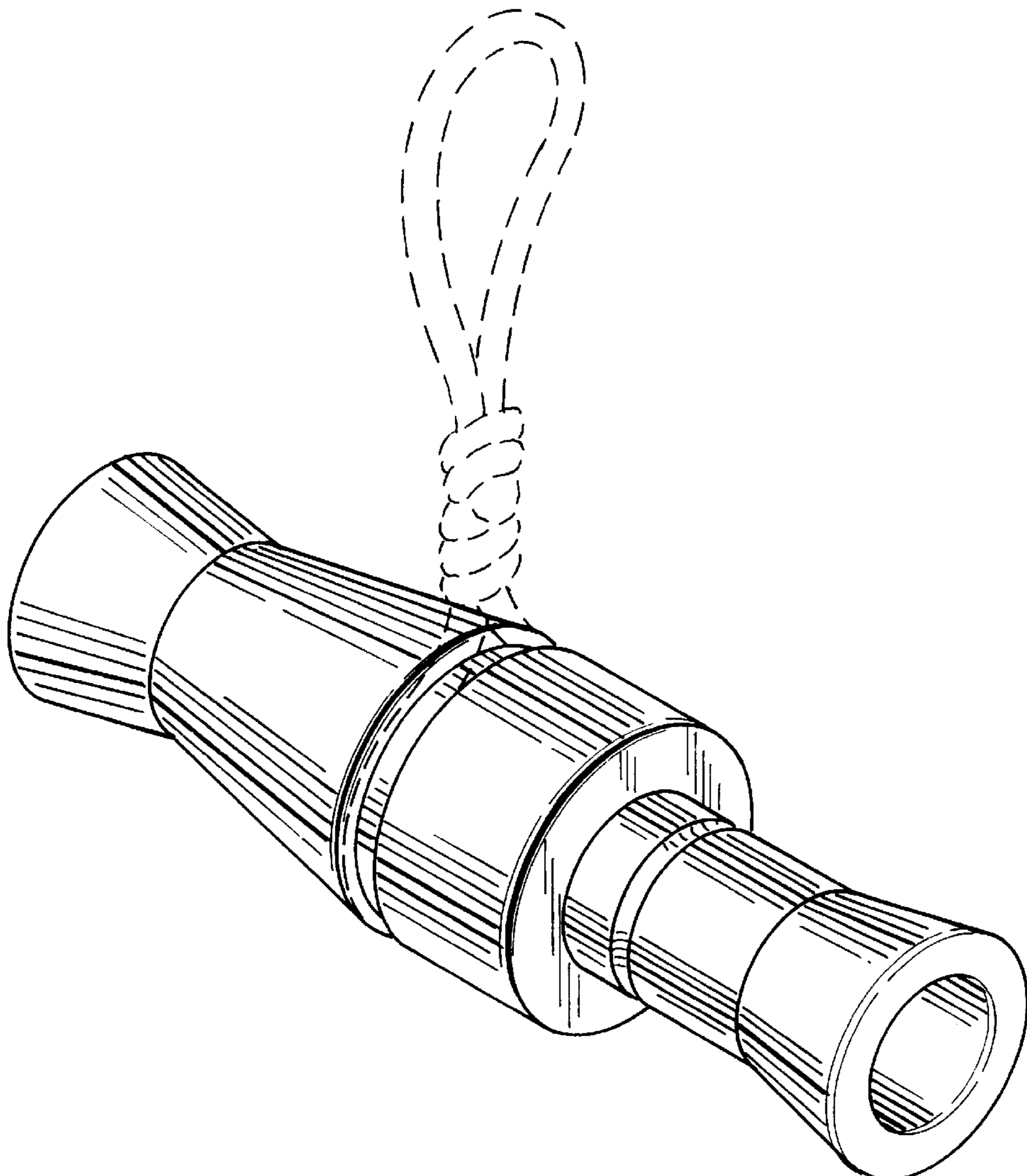
FIG. 2 is an side view thereof;

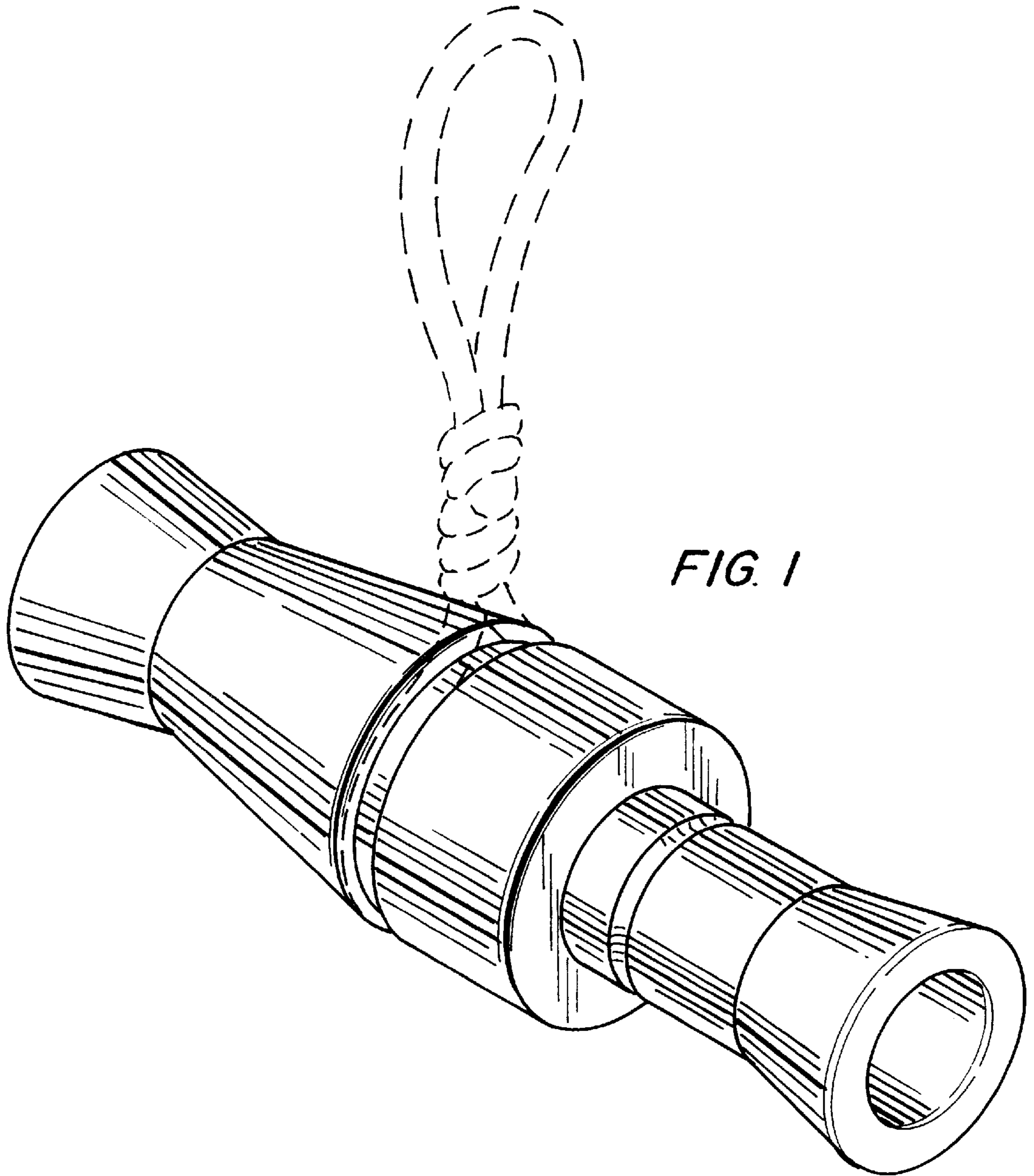
FIG. 3 is a top view thereof as viewed in FIG. 2; and,

FIG. 4 is a bottom view thereof as viewed in FIG. 2.

The cord shown in broken lines in FIG. 1 denotes the nature and environmental use of the design and is not part of the design.

1 Claim, 2 Drawing Sheets





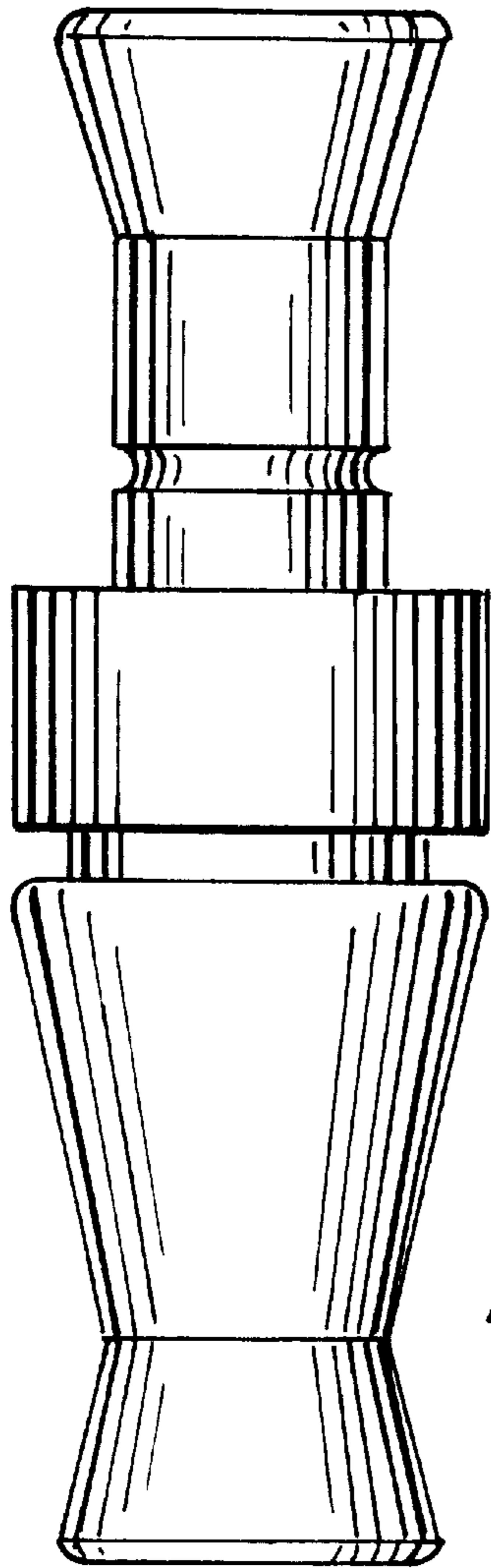


FIG. 2

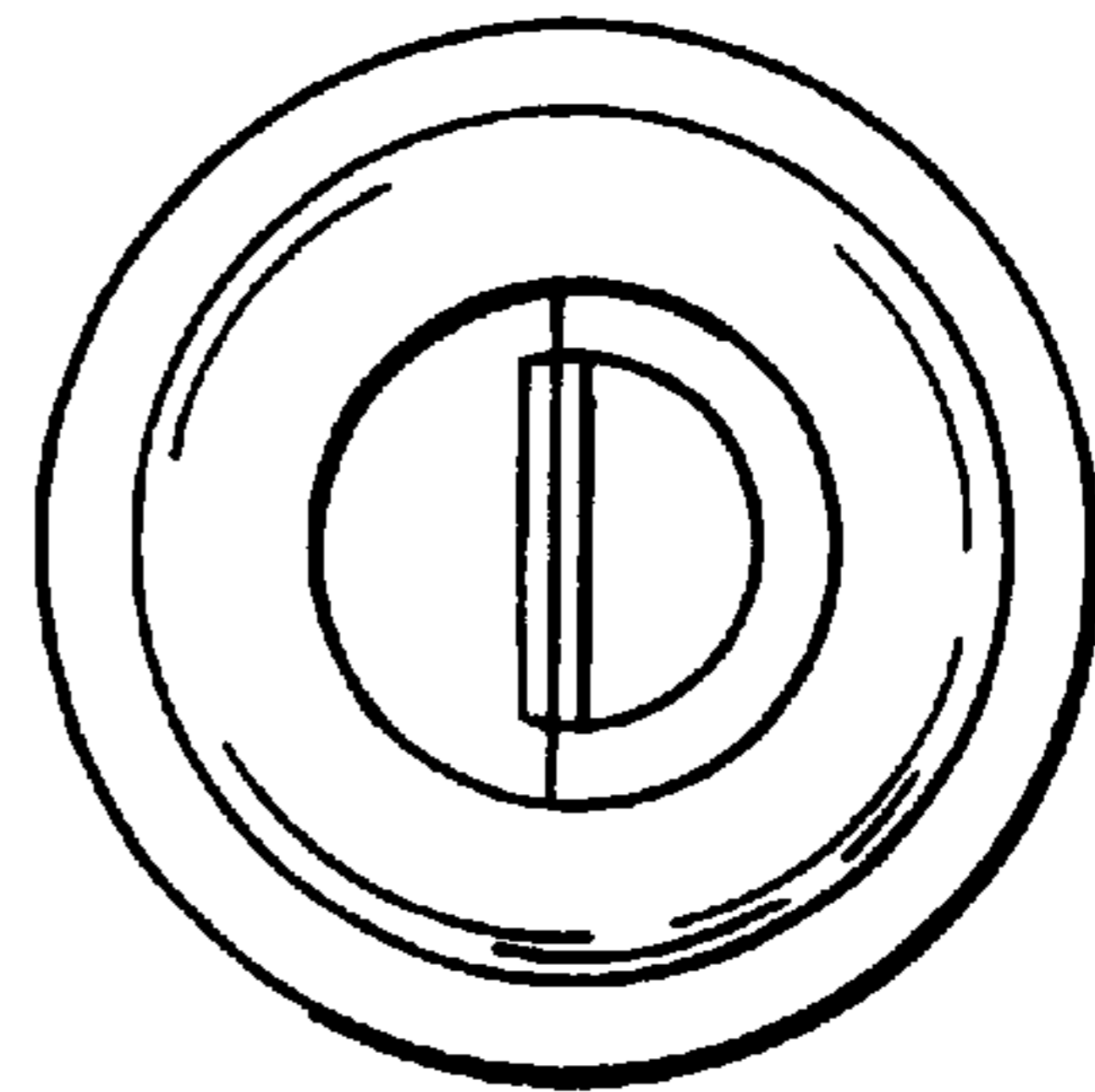


FIG. 3

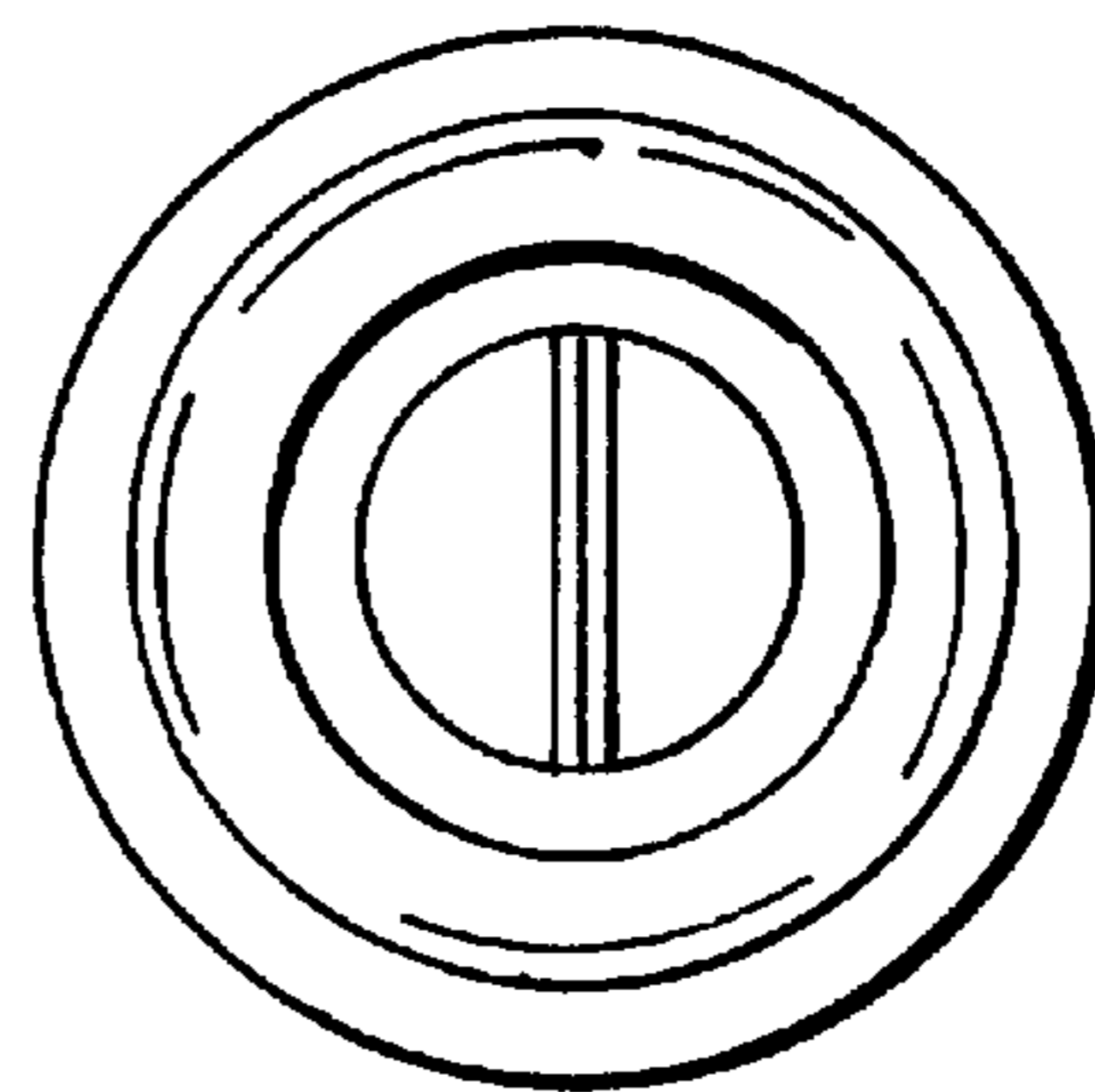


FIG. 4