



US00D441678S

(12) **United States Design Patent**  
**Lyons**

(10) **Patent No.:** **US D441,678 S**

(45) **Date of Patent:** **\*\* May 8, 2001**

(54) **LED ARRAY FOR USE IN A WARNING LIGHT**

D. 425,223 \* 5/2000 Li ..... D10/114  
D. 427,343 \* 6/2000 Reinback ..... D26/28

(75) **Inventor:** **Jon H. Lyons**, Deep River, CT (US)

\* cited by examiner

(73) **Assignee:** **Whelen Engineering Company, Inc.**,  
Chester, CT (US)

*Primary Examiner*—Marcus A. Jackson

(74) *Attorney, Agent, or Firm*—Alix, Yale & Ristas, LLP

(\*\*) **Term:** **14 Years**

(57) **CLAIM**

The ornamental design for an LED array for use in a warning light, as shown and described.

(21) **Appl. No.:** **29/122,325**

(22) **Filed:** **Apr. 25, 2000**

**DESCRIPTION**

(51) **LOC (7) Cl.** ..... **10-05**

(52) **U.S. Cl.** ..... **D10/114; D26/28**

(58) **Field of Search** ..... D26/28-36, 72,  
D26/80-92; D10/114, 115; 362/61, 74,  
80, 80.1, 83, 83.2, 147, 362, 363, 404,  
432

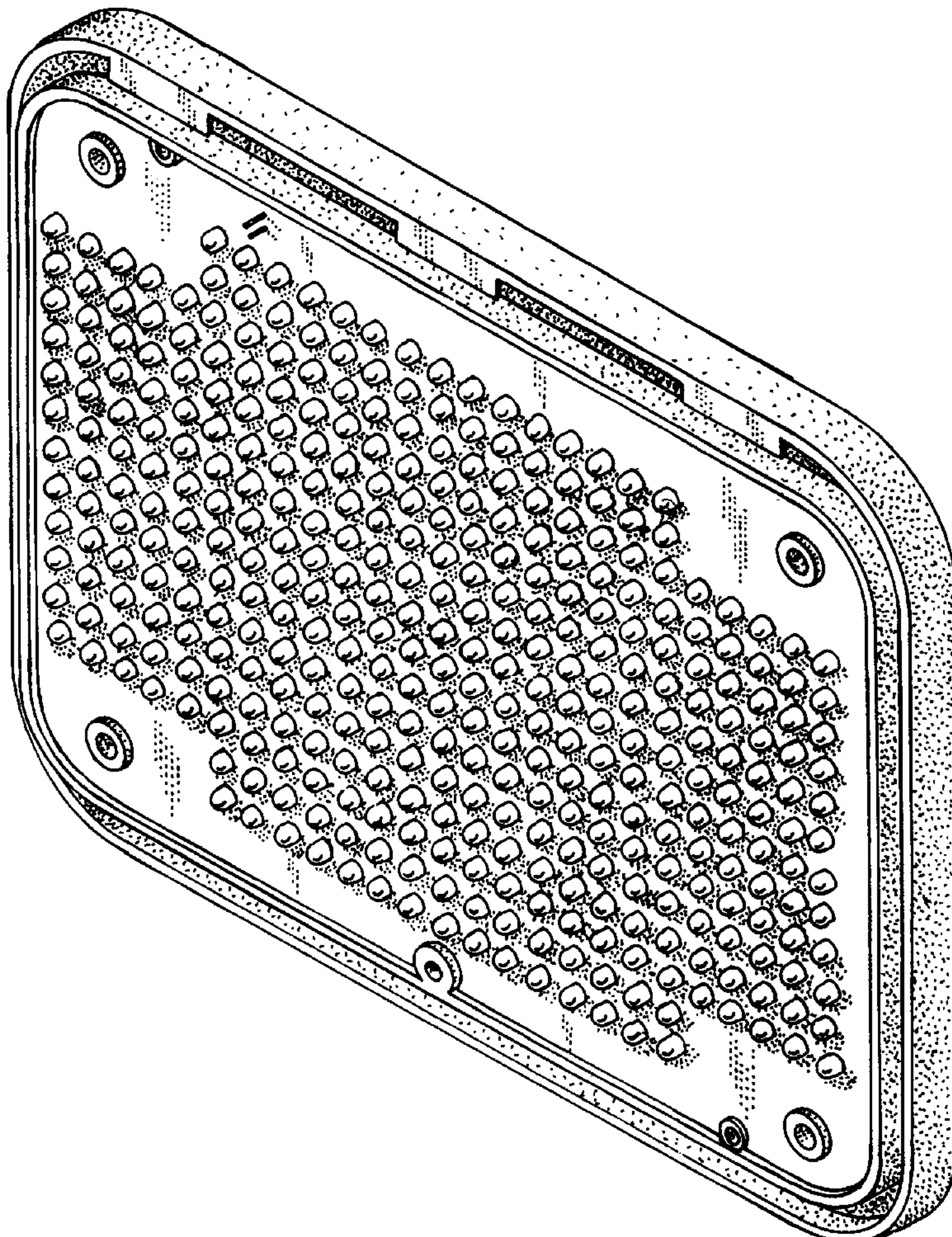
FIG. 1 is a perspective view of an LED array for use in a warning light in accordance with my Design;  
FIG. 2 is a top view thereof, the LED array for use in a warning light appearing the same from the bottom;  
FIG. 3 is a front view thereof;  
FIG. 4 is a side view thereof, the LED array for use in a warning light appearing the same when viewed from the opposite side; and,  
FIG. 5 is a rear view thereof, the rear view of my LED array for use in a warning light not encompassing any Design features.

(56) **References Cited**

**U.S. PATENT DOCUMENTS**

D. 375,180 \* 10/1996 Lyons ..... D10/114  
D. 385,368 \* 10/1997 Lyons ..... D26/28

**1 Claim, 3 Drawing Sheets**





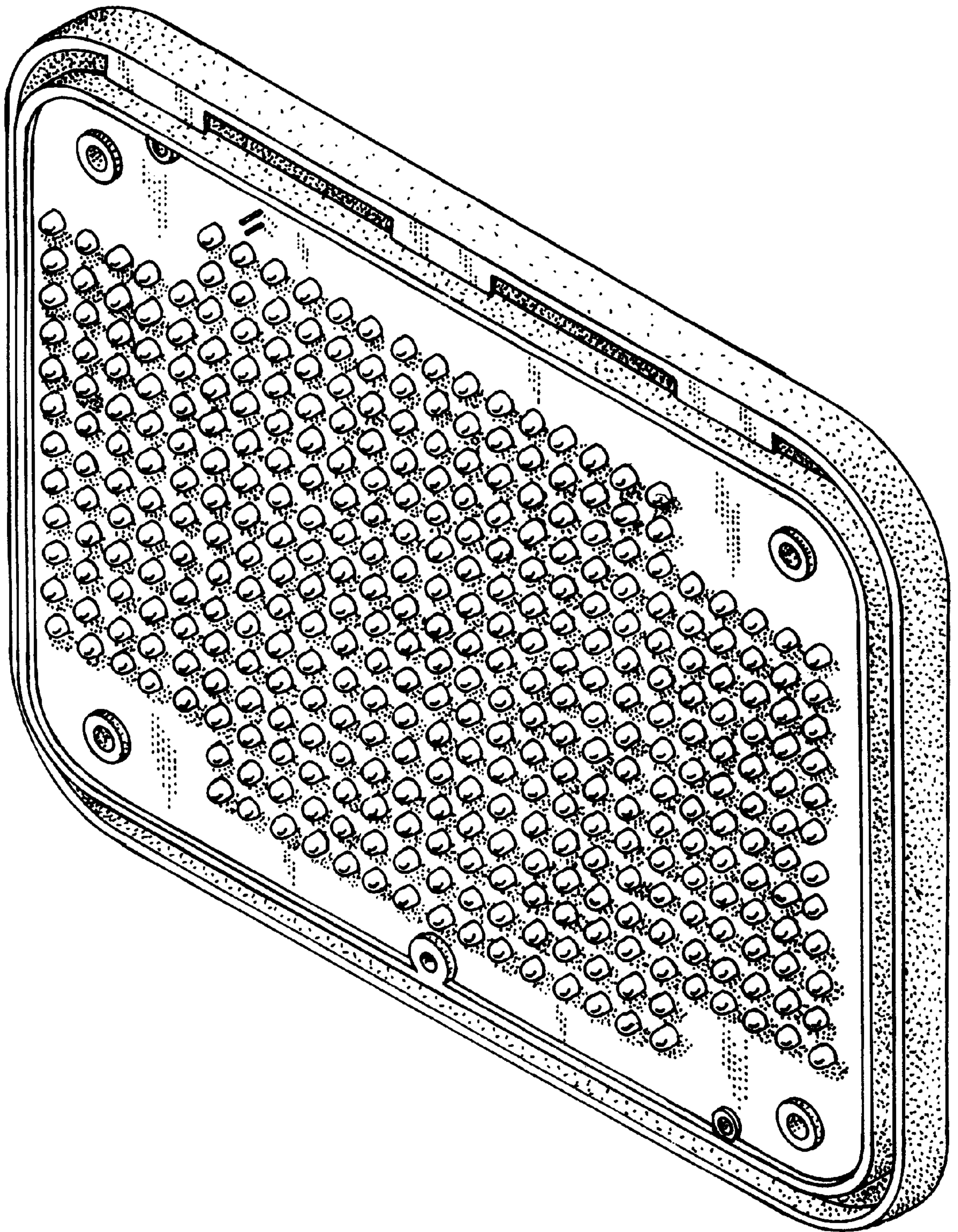


FIG. 1



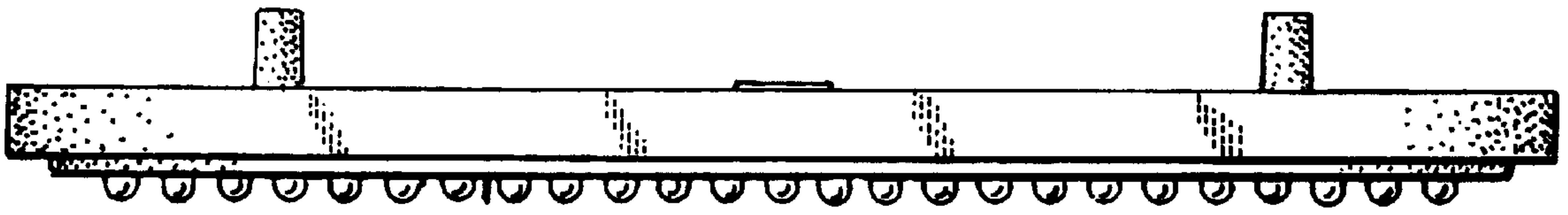


FIG. 2

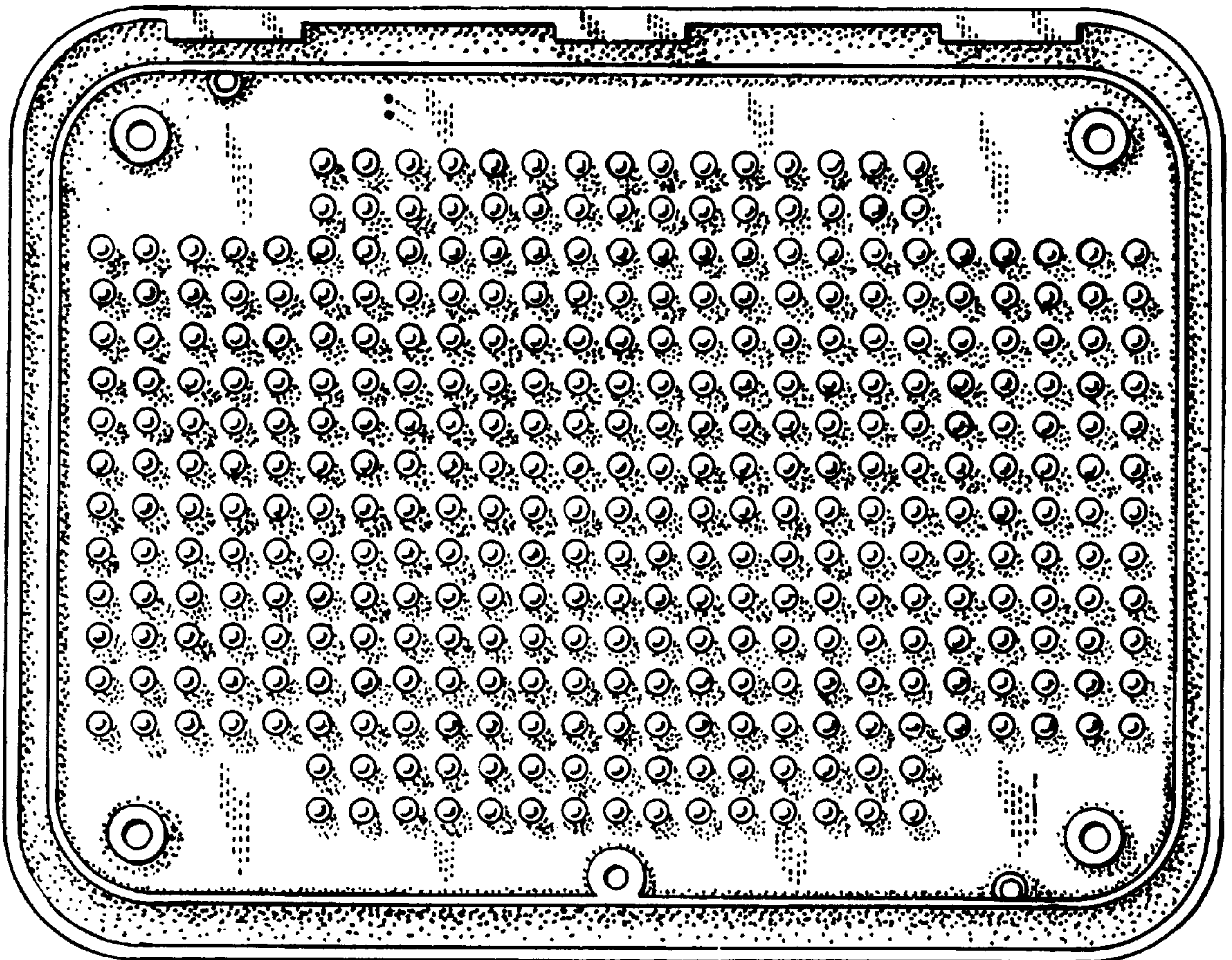


FIG. 3

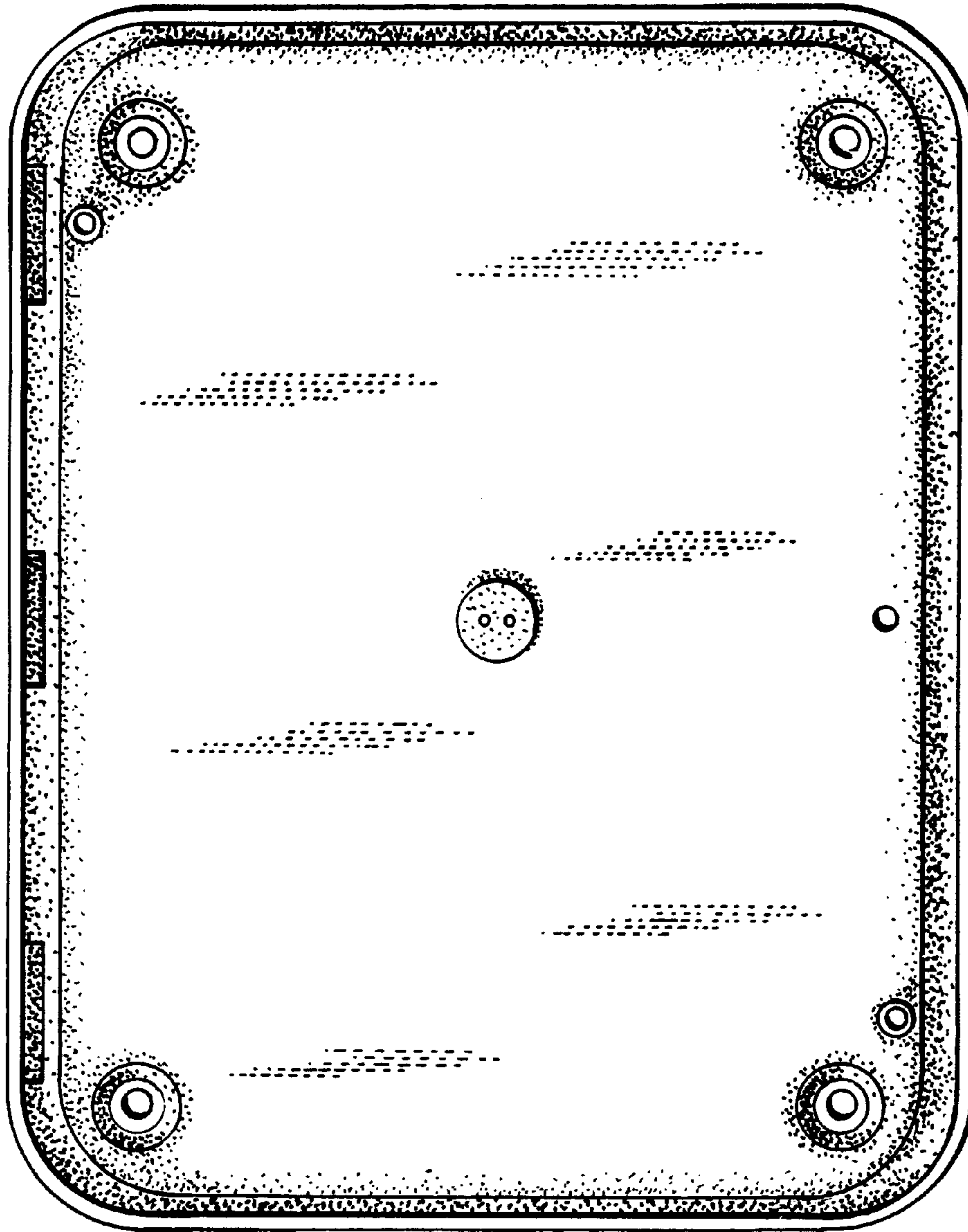


FIG. 5

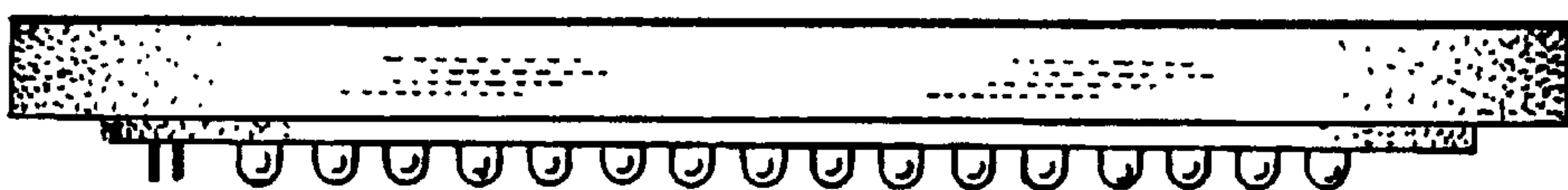


FIG. 4