



US00D441676S

(12) **United States Design Patent**  
**Kouchi et al.**

(10) **Patent No.:** **US D441,676 S**

(45) **Date of Patent:** **\*\* May 8, 2001**

(54) **SPEEDOMETER DIAL FACE**

D. 293,422 \* 12/1987 Nunes ..... D10/98  
2,759,447 \* 8/1956 Helgeby ..... 116/62.1  
3,276,418 10/1966 Harris .

(75) Inventors: **Kaoru Kouchi; Fumio Mizuta; Jiro Kitao**, all of Hyogo (JP)

**FOREIGN PATENT DOCUMENTS**

(73) Assignee: **Kawasaki Jukogyo Kabushiki Kaisha**, Kobe (JP)

52-116843 9/1977 (JP) .

(\*\*) Term: **14 Years**

\* cited by examiner

(21) Appl. No.: **29/121,832**

*Primary Examiner*—Antoine Duval Davis

(22) Filed: **Apr. 14, 2000**

(74) *Attorney, Agent, or Firm*—Wenderoth, Lind & Ponack, L.L.P.

(30) **Foreign Application Priority Data**

(57) **CLAIM**

Oct. 18, 1999 (JP) ..... 11-28635

The ornamental design for a speedometer dial face, as shown and described.

(51) **LOC (7) Cl.** ..... **10-04**

(52) **U.S. Cl.** ..... **D10/103; D10/126**

**DESCRIPTION**

(58) **Field of Search** ..... D10/98, 103, 123, D10/124, 126; D12/192; 116/62.1, 62.2, 62.3, 62.4; 200/61.41; 340/441, 670, 688

FIG. 1 is a front elevational view of a speedometer dial face according to the design of the present invention.

The broken line showing is for illustrative purposes only and forms no part of the claimed design.

(56) **References Cited**

**U.S. PATENT DOCUMENTS**

D. 252,320 7/1979 Chojna .

**1 Claim, 1 Drawing Sheet**

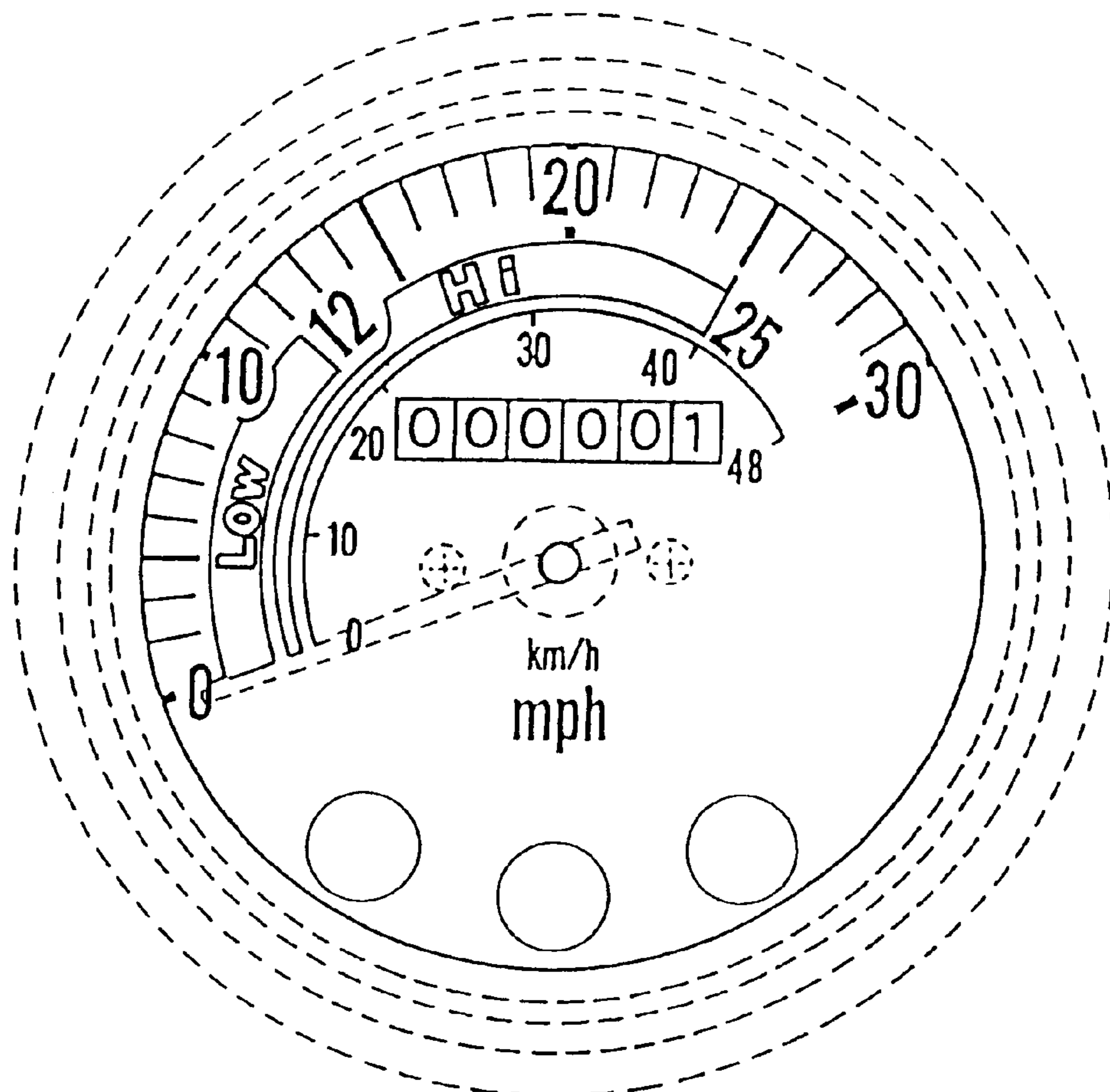


FIG. 1

