



US00D441675S

(12) **United States Design Patent**
Trigiani et al.

(10) **Patent No.:** **US D441,675 S**

(45) **Date of Patent:** **** May 8, 2001**

(54) **APPARATUS FOR LEAK TESTING AND REFILLING AUTOMOTIVE COOLING SYSTEMS USING VACUUM**

4,782,689 11/1988 DeRome .

* cited by examiner

(75) Inventors: **Phil Trigiani; Tony Ferraro**, both of Mississauga (CA)

Primary Examiner—Antoine Duval Davis
(74) *Attorney, Agent, or Firm*—Bell, Boyd & Lloyd LLC

(73) Assignee: **UView Ultraviolet Systems, Inc.**, Mississauga (CA)

(57) **CLAIM**

(**) Term: **14 Years**

The ornamental design of an apparatus for leak testing and refilling automotive cooling systems using vacuum, as shown and described.

(21) Appl. No.: **29/125,917**

DESCRIPTION

(22) Filed: **Jul. 5, 2000**

Related U.S. Application Data

FIG. 1 is a top view of the apparatus for leak testing and refilling automotive cooling systems using vacuum.

(63) Continuation-in-part of application No. 29/115,038, filed on Dec. 6, 1999, now Pat. No. Des. 431,007.

FIG. 2 is a bottom view of the apparatus for leak testing and refilling automotive cooling systems using vacuum.

(51) **LOC (7) Cl.** **10-04**

FIG. 3 is a left side view of the apparatus for leak testing and refilling automotive cooling systems using vacuum.

(52) **U.S. Cl.** **D10/101**

FIG. 4 is a right side view of the apparatus for leak testing and refilling automotive cooling systems using vacuum.

(58) **Field of Search** D10/101; 73/49.2, 73/49.7, 45.8; 374/208, 145

FIG. 5 is a front view of the apparatus for leak testing and refilling automotive cooling systems using vacuum; and,

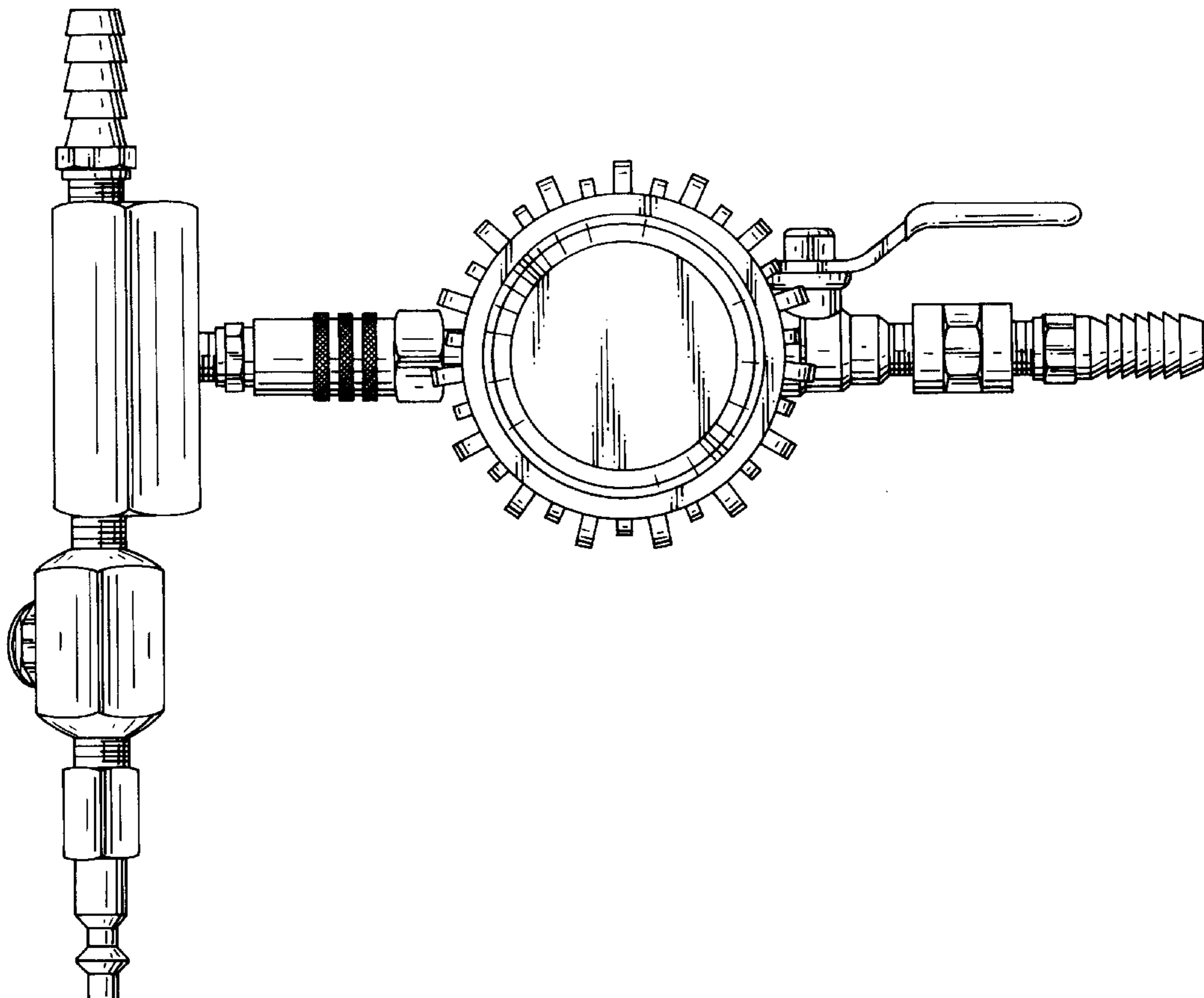
(56) **References Cited**

FIG. 6 is a back view of the apparatus for leak testing and refilling automotive cooling systems using vacuum.

U.S. PATENT DOCUMENTS

D. 431,007 * 9/2000 Trigiani et al. D10/101

1 Claim, 6 Drawing Sheets



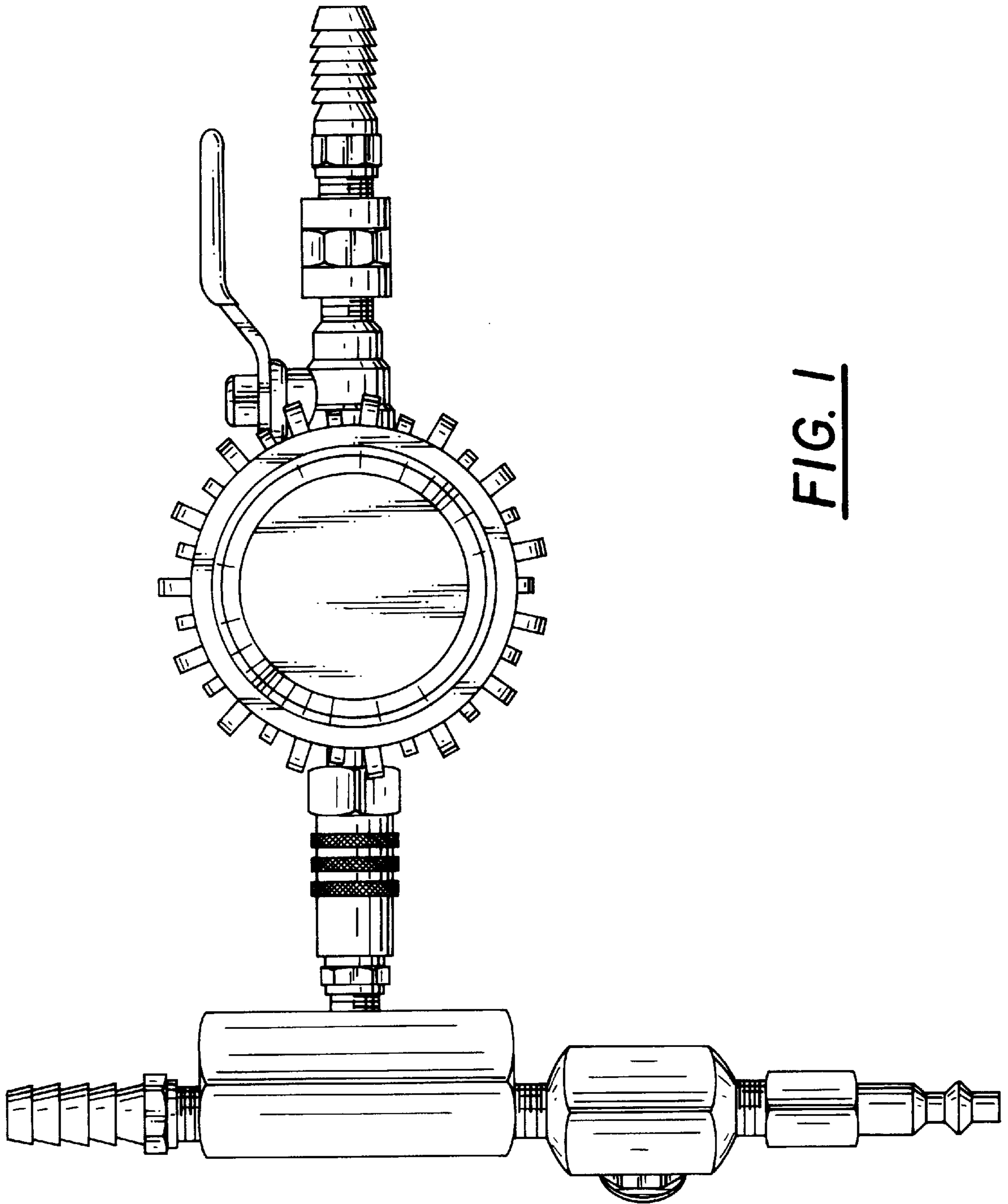


FIG. 1

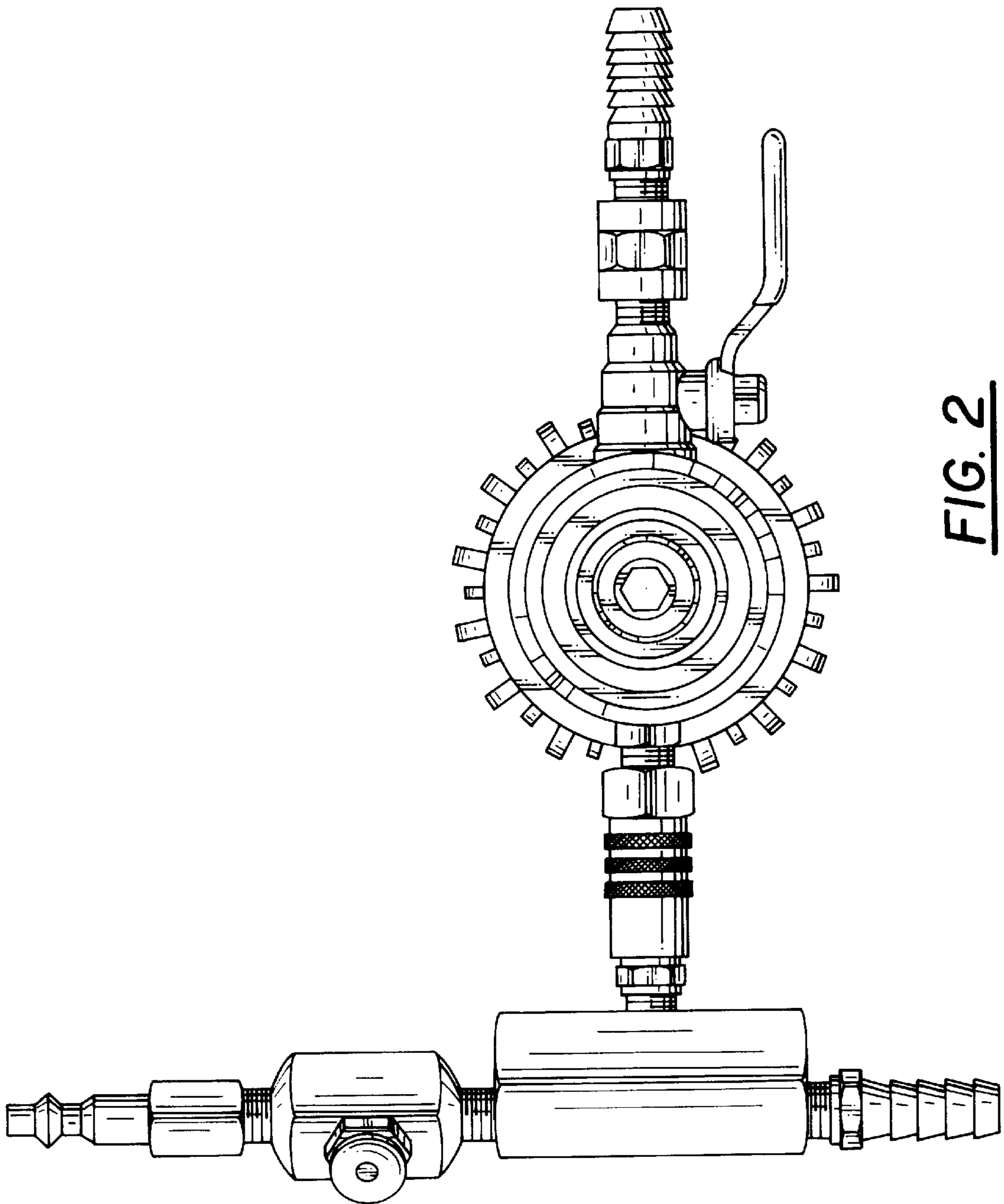


FIG. 2

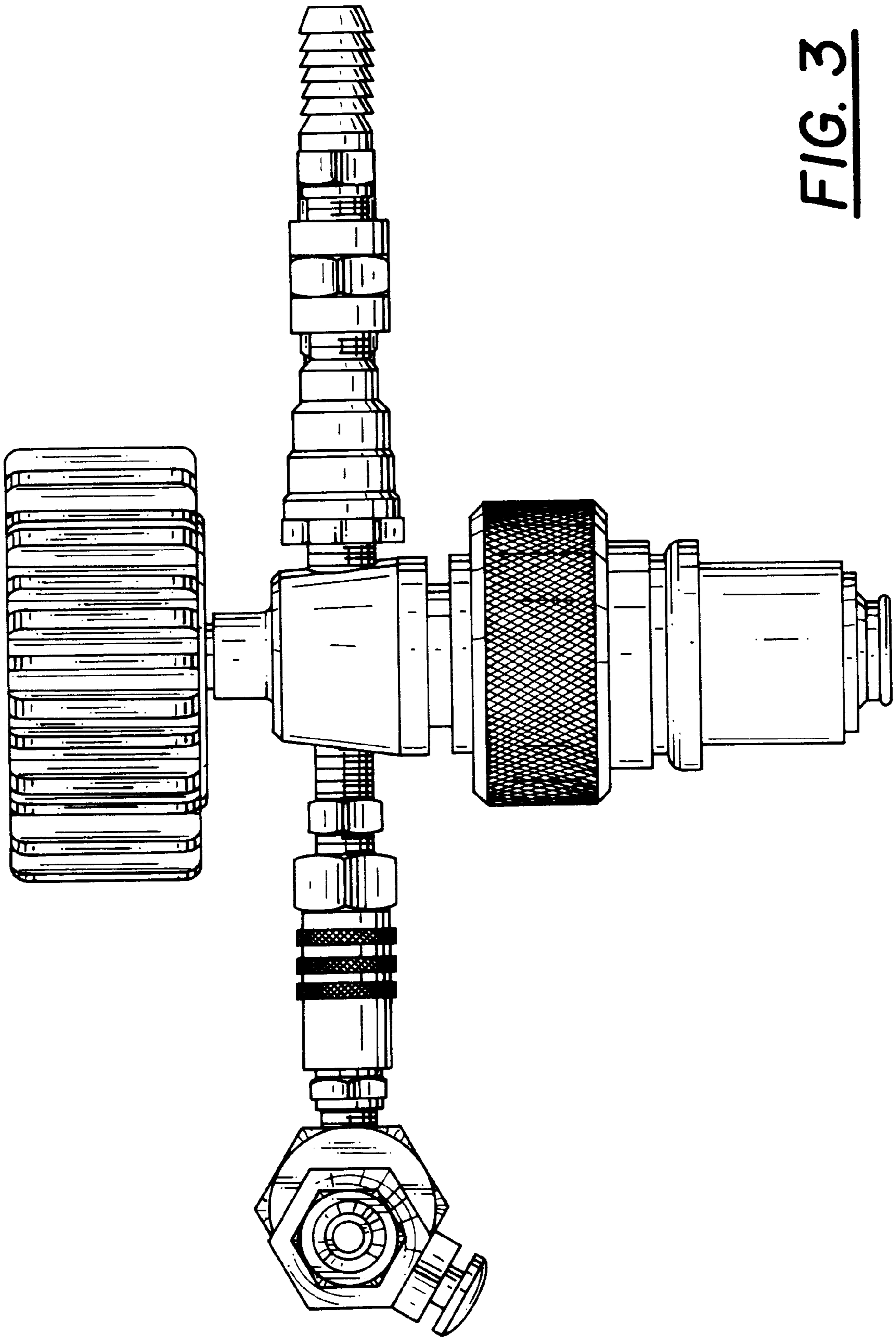


FIG. 3

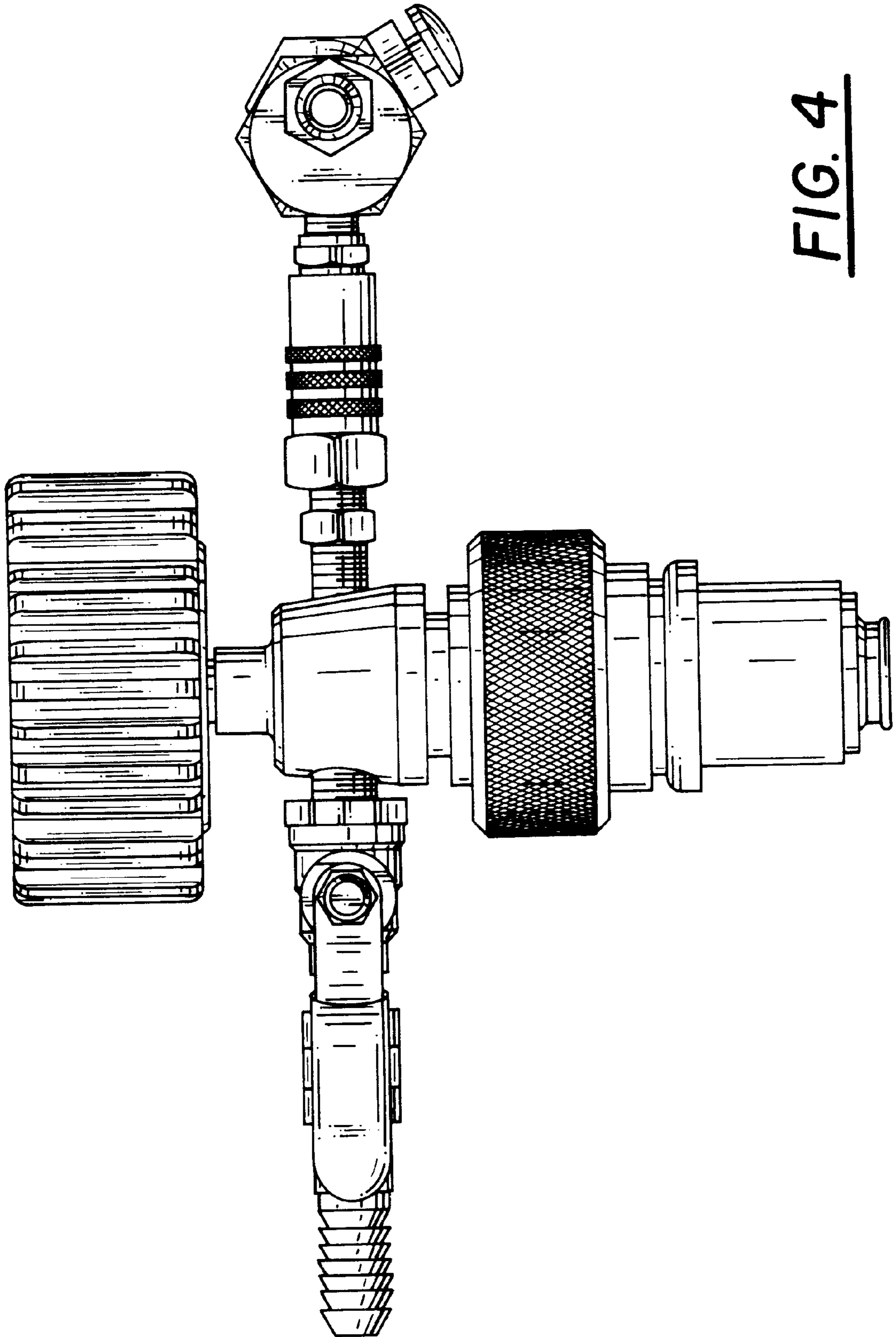


FIG. 4

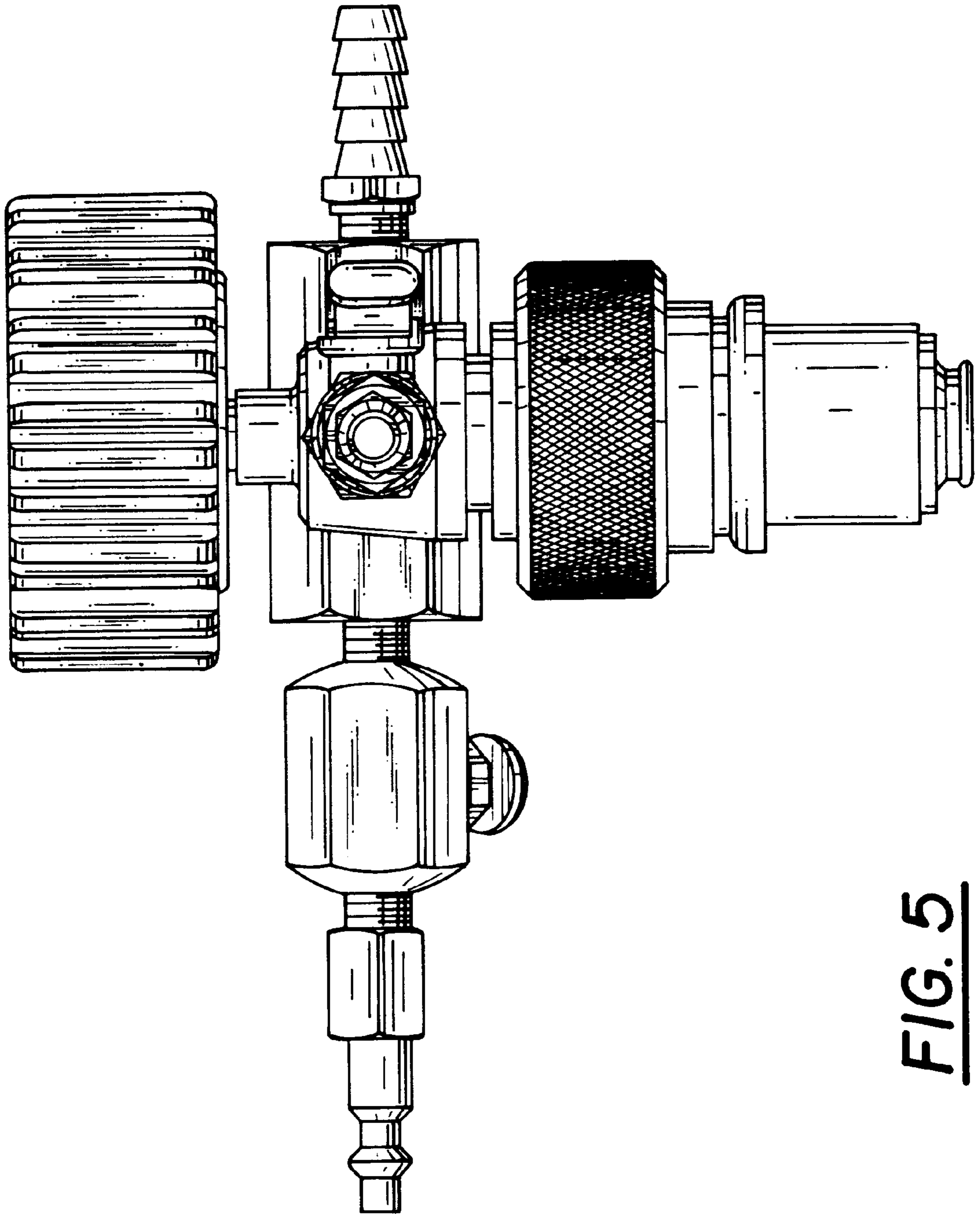


FIG. 5

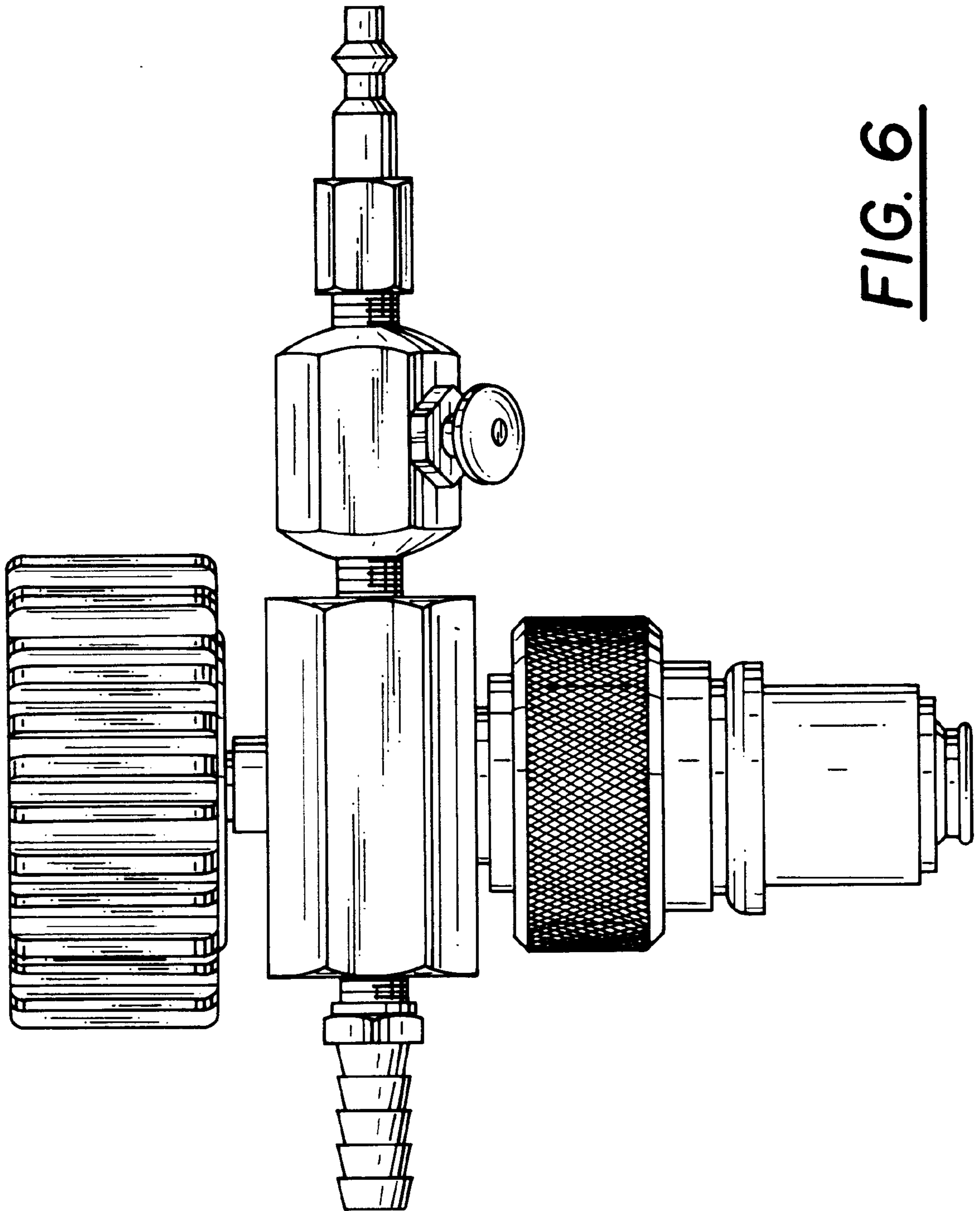


FIG. 6