



US00D441673S

(12) **United States Design Patent**
Shimomoto et al.

(10) **Patent No.:** **US D441,673 S**

(45) **Date of Patent:** **** May 8, 2001**

(54) **PRESSURE SENSOR**

1,568,913 * 1/1926 Ormiston 73/709
1,716,399 * 6/1929 Watters 73/709

(75) Inventors: **Yutaka Shimomoto**, Ryugasaki;
Haruhiko Okuno, Koshigaya;
Tomoyuki Okuyama, Toride, all of
(JP)

* cited by examiner

Primary Examiner—Antoine Duval Davis
(74) *Attorney, Agent, or Firm*—Frishauf, Holtz, Goodman,
Langer & Chick, P.C.

(73) Assignee: **SMC Kabushiki Kaisha**, Tokyo (JP)

(**) Term: **14 Years**

(57) **CLAIM**

(21) Appl. No.: **29/121,681**

The ornamental design for a pressure sensor, as shown and described.

(22) Filed: **Apr. 12, 2000**

DESCRIPTION

(30) **Foreign Application Priority Data**

Oct. 18, 1999 (JP) 11-28527

FIG. 1 is a top, front and right-side perspective view of a pressure sensor showing our new design;

(51) **LOC (7) Cl.** **10-04**

FIG. 2 is a front view thereof, the rear view being a mirror image;

(52) **U.S. Cl.** **D10/85**

FIG. 3 is a right side view thereof;

(58) **Field of Search** D10/83, 85; 73/431,
73/700-756

FIG. 4 is a top plan view thereof, the bottom plan view being an identical image; and,

(56) **References Cited**

FIG. 5 is a left side view thereof.

U.S. PATENT DOCUMENTS

D. 371,085 * 6/1996 Ito D10/85

1 Claim, 1 Drawing Sheet

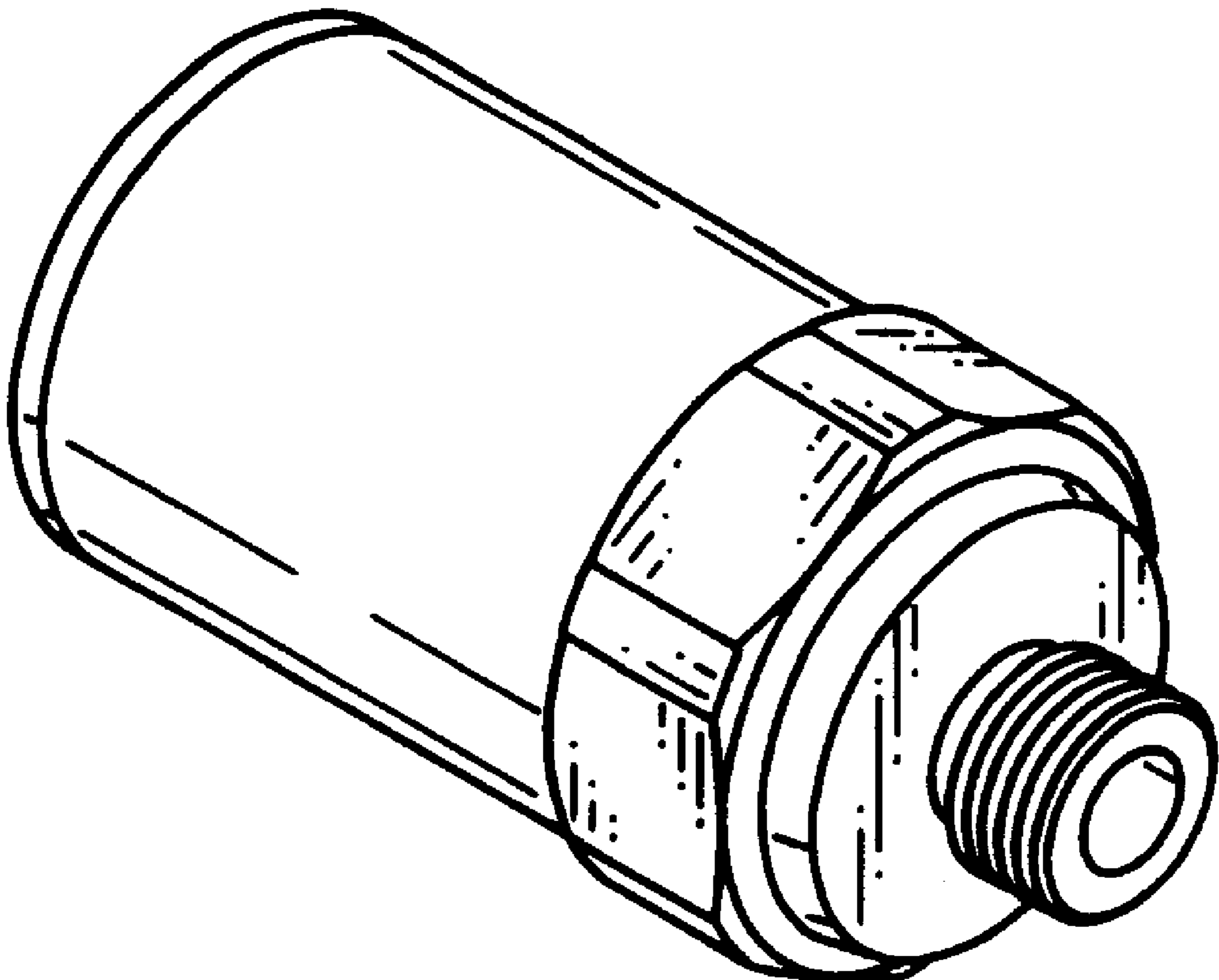


FIG. 1

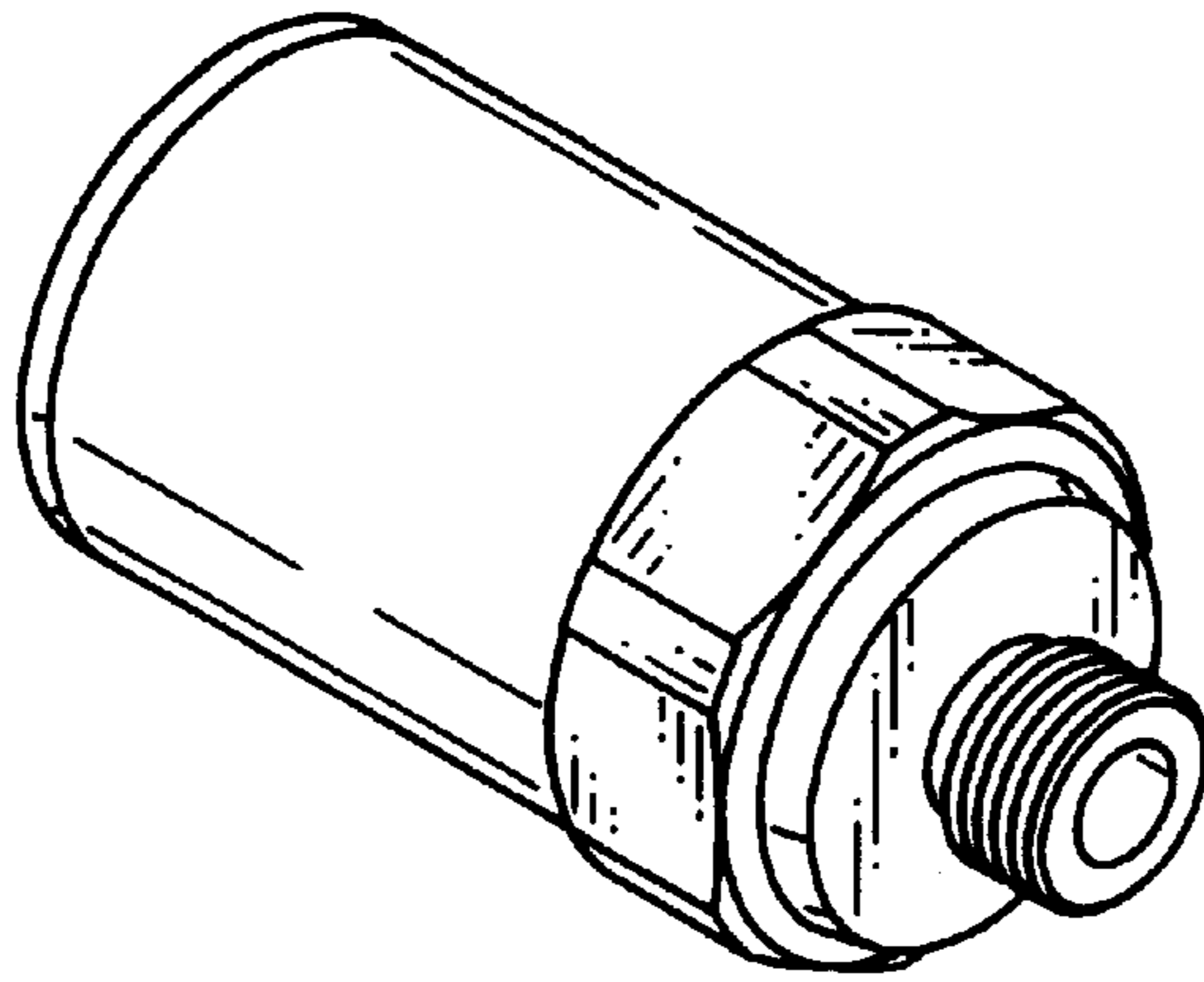


FIG. 2

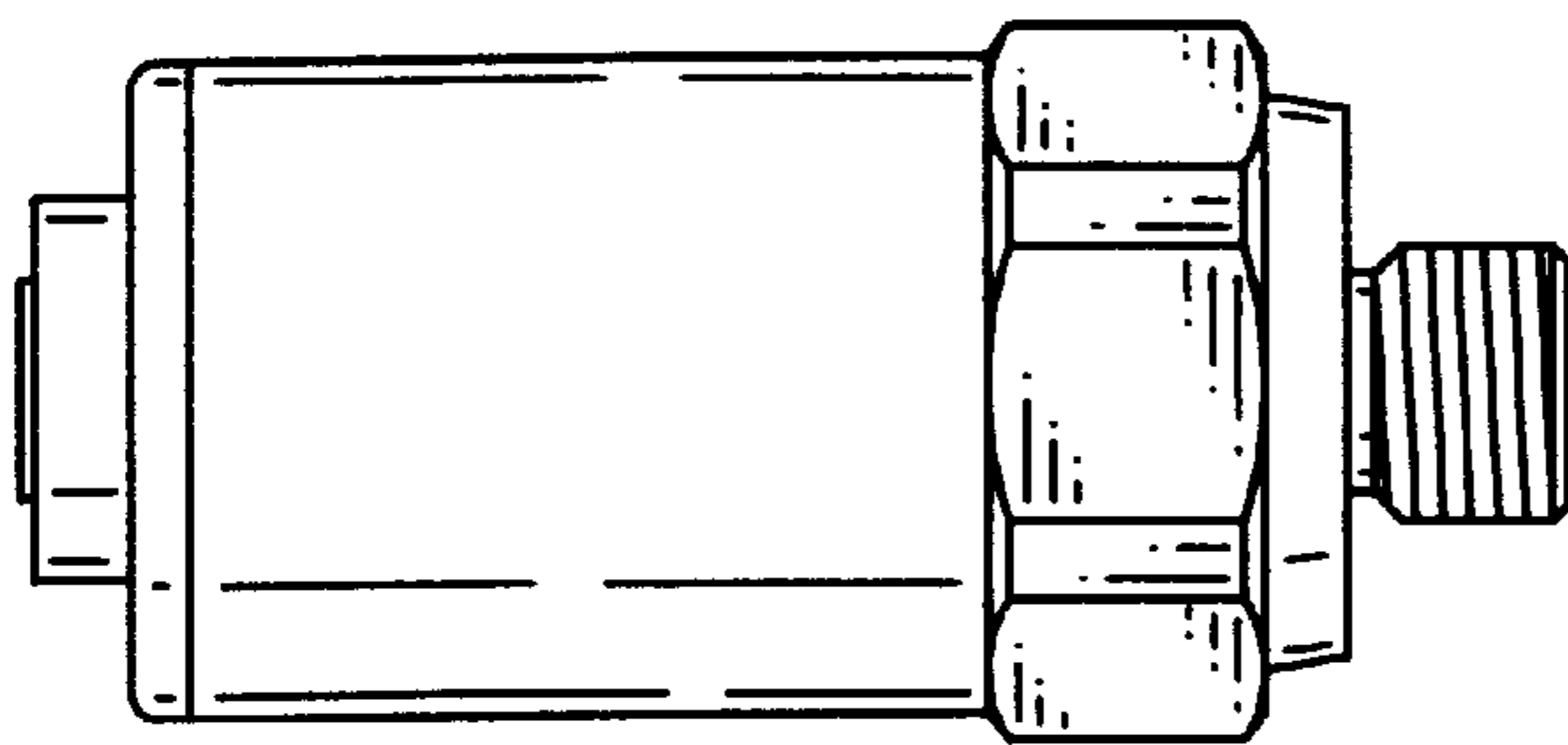


FIG. 3

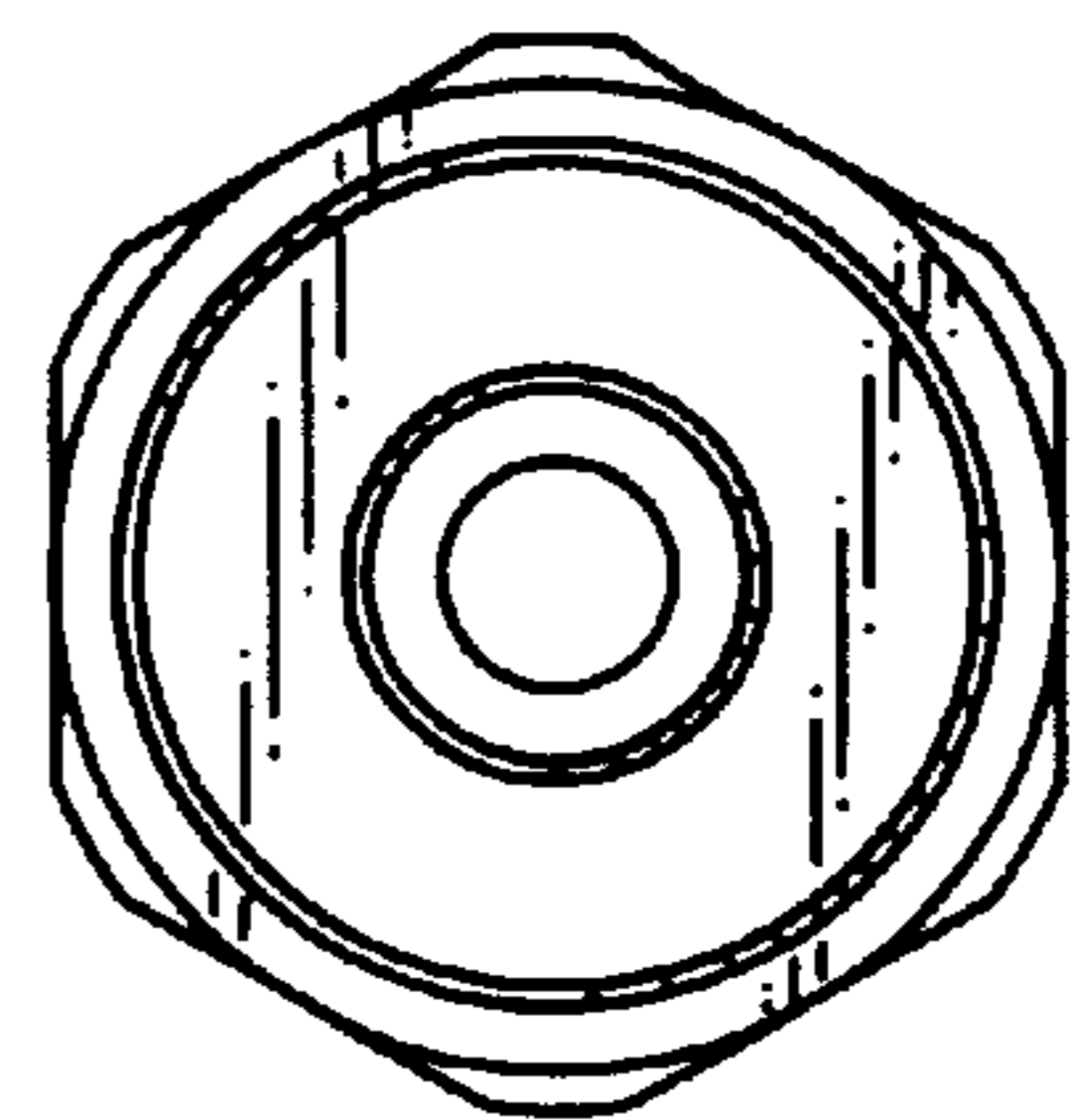


FIG. 4

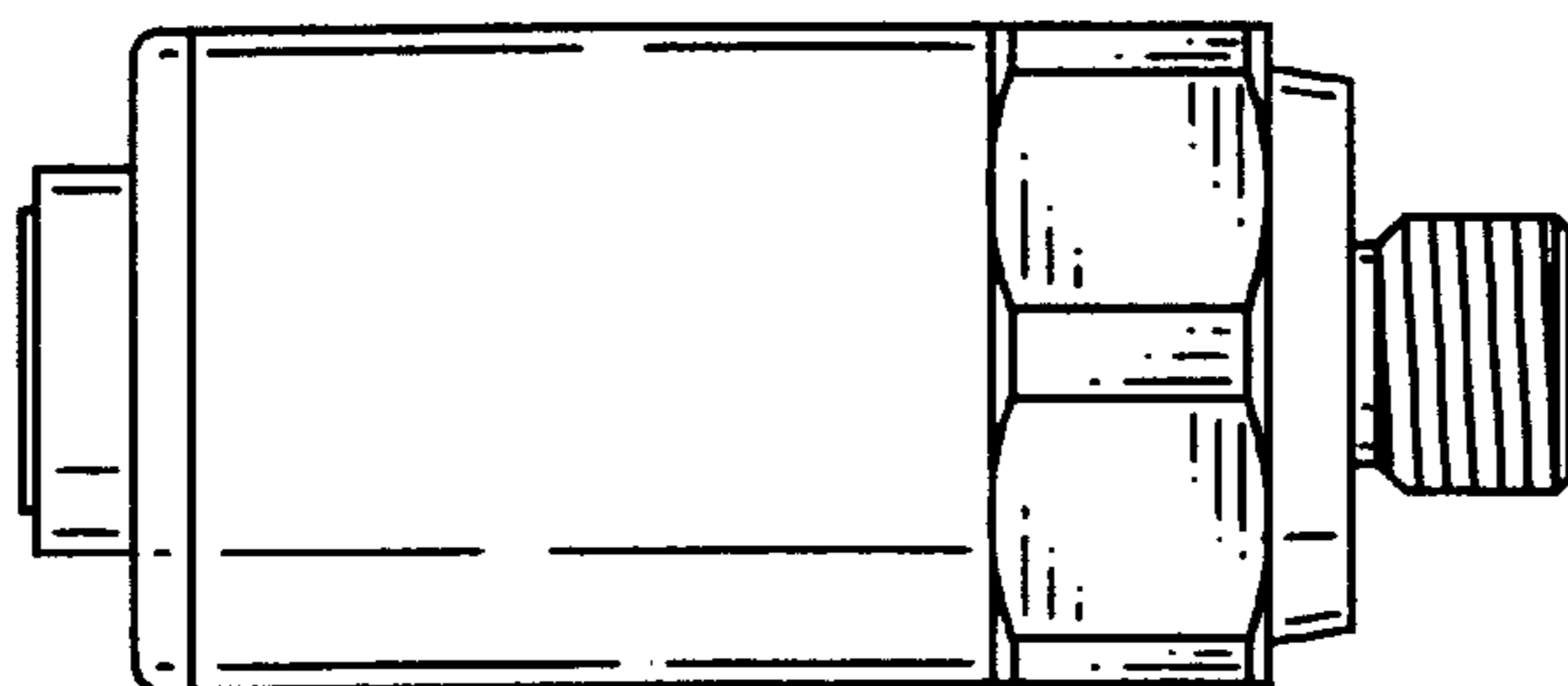


FIG. 5

