



US00D441672S

(12) **United States Design Patent**
Fandrey et al.

(10) **Patent No.: US D441,672 S**

(45) **Date of Patent: ** May 8, 2001**

(54) **PRESSURE TRANSMITTER WITH DUAL INLET BASE AND ECONOMY HOUSING**

FOREIGN PATENT DOCUMENTS

0 903 651 A1 3/1999 (EP) .

(75) Inventors: **Mark Fandrey**, Eden Prairie; **George C. Hausler**, Maple Grove; **Steven M. Dennis**, Eden Prairie; **William J. Ballot**, New Brighton; **Steven M. Behm**, White Bear Lake, all of MN (US)

OTHER PUBLICATIONS

Product Data Sheet No.: 00813-0100-4378, "Model 751 Field Signal Indicator", by Rosemount Inc., Eden Prairie, Minnesota, (1997).

Product Data Sheet No.: 00813-0100-4731, "APEX™ Radar Gauge", by Rosemount Inc., Eden Prairie, Minnesota, (1998).

Product Data Sheet No.: 00813-0100-4640, "Model 3201 Hydrostatic Interface Unit", from the Rosemount Comprehensive Product Catalog, published 1998, by Rosemount Inc., Eden Prairie, Minnesota.

Product Data Sheet No.: 00813-0100-4003, "Model 8800A", by Rosemount Inc., Eden Prairie, Minnesota, (1998).

Product Data Sheet No.: 00813-0100-4773, "Model 8742C—Magnetic Flowmeter Transmitter with FOUNDATION™ Fieldbus", from the Rosemount Comprehensive Product Catalog, published 1998, by Rosemount Inc., Eden Prairie, Minnesota.

(73) Assignee: **Rosemount Inc.**, Eden Prairie, MN (US)

(**) Term: **14 Years**

(21) Appl. No.: **29/120,552**

(22) Filed: **Mar. 21, 2000**

(51) **LOC (7) Cl. 10-04**

(52) **U.S. Cl. D10/85**

(58) **Field of Search D10/85, 96; 73/700-756**

(List continued on next page.)

(56) **References Cited**

U.S. PATENT DOCUMENTS

D. 287,827	1/1987	Broden	D10/46
D. 296,995	8/1988	Lee	D10/46
D. 297,314	8/1988	Hedtke	D10/46
D. 297,315	8/1988	Pierce et al.	D10/85
D. 317,266	6/1991	Broden et al.	D10/46
D. 317,269	6/1991	Selg	D10/52
D. 318,432	7/1991	Broden et al.	D10/46
D. 329,619	9/1992	Cartwright	D10/52
D. 342,456	12/1993	Miller et al.	D10/60
D. 358,784	5/1995	Templin, Jr. et al.	D10/96
D. 366,000 *	1/1996	Karas et al.	D10/85
D. 366,218	1/1996	Price et al.	D10/52
5,369,386 *	11/1994	Alden et al.	335/206
5,656,782 *	8/1997	Powell, II et al.	73/756
5,823,228 *	10/1998	Chou	137/597
5,920,016 *	7/1999	Broden	73/756
5,988,203 *	11/1999	Hutton	137/597 X
6,038,927 *	3/2000	Karas	73/706
6,059,254 *	5/2000	Sundet et al.	248/678

Primary Examiner—Antoine Duval Davis

(74) *Attorney, Agent, or Firm*—Westman, Champlin & Kelly, P.A.

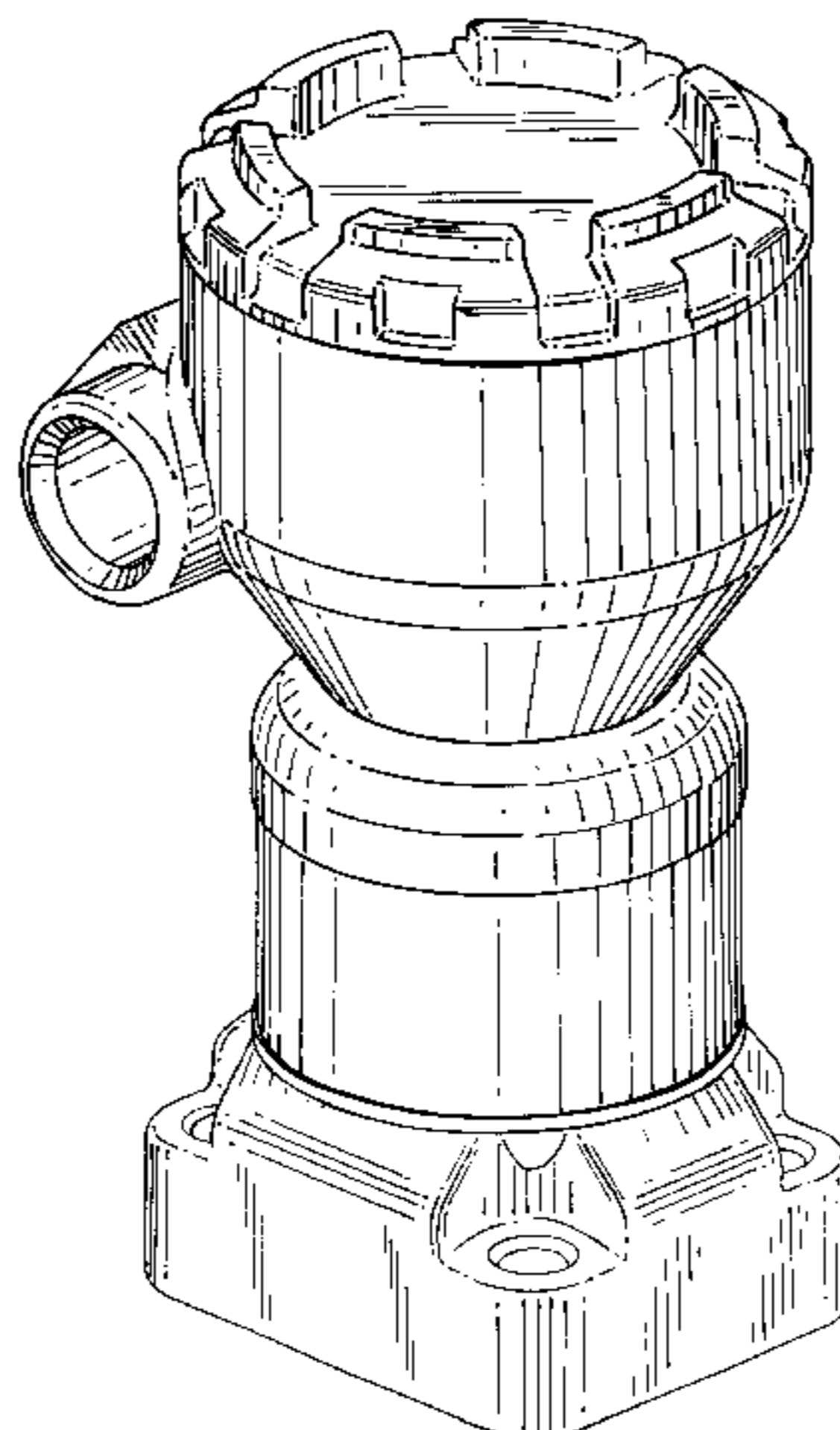
(57) **CLAIM**

The ornamental design for a pressure transmitter with dual inlet base and economy housing, as shown and described.

DESCRIPTION

FIG. 1 is a perspective view;
FIG. 2 is a top plan view;
FIG. 3 is a front elevational view;
FIG. 4 is a right side view;
FIG. 5 is a left side view;
FIG. 6 is a rear elevational view; and,
FIG. 7 is a bottom plan view.

1 Claim, 7 Drawing Sheets



OTHER PUBLICATIONS

Rosemount Model 8732C Magnetic Flowmeter Transmitter, by Rosemount Inc., Eden Prairie, Minnesota, (1998).

Product Data Sheet No.: 00813-0100-4263, "Model 444 Alphaline® Temperature Transmitters", by Rosemount Inc., Eden Prairie, Minnesota, (1997).

Product Data Sheet No.: 00813-0100-4769, "Model 3244MV Multivariable Temperature Transmitter with FOUNDATION® Fieldbus", by Rosemount Inc., Eden Prairie, Minnesota, (1998).

Product Data Sheet No.: 00813-0100-4724, "Models 3144 and 3244MV Smart Temperature Transmitters", by Rosemount Inc., Eden Prairie, Minnesota, (1998).

Product Data Sheet No.: 00813-0100-4738, "Model 3095FB Multivariable™ Transmitter with Modbus™ Protocol", by Rosemount Inc., Eden Prairie, Minnesota, (1996, 1997).

Product Data Sheet No.: 00813-0100-4001, "Model 3051 Digital Pressure Transmitter for Pressure, Flow, and Level Measurement", by Rosemount Inc., Eden Prairie, Minnesota, (1998).

Product Data Sheet No.: 00813-0100-4698, "Model 2090F Sanitary Pressure Transmitter", by Rosemount Inc., Eden Prairie, Minnesota, (1998).

Product Data Sheet No.: 00813-0100-4690, "Model 2088 Economical Smart Pressure Transmitter", by Rosemount Inc., Eden Prairie, Minnesota, (1998).

Product Data Sheet No.: 00813-0100-4592, "Model 2024 Differential Pressure Transmitter", by Rosemount Inc., Eden Prairie, Minnesota, (1987-1995).

Product Data Sheet No.: 00813-0100-4360, "Model 1151 Alphaline® Pressure Transmitters", by Rosemount Inc., Eden Prairie, Minnesota, (1998).

Product Data Sheet No.: 00813-0100-4458, "Model 1135F Pressure-to-Current Converter", by Rosemount Inc., Eden Prairie, Minnesota, (1983, 1986, 1994).

* cited by examiner

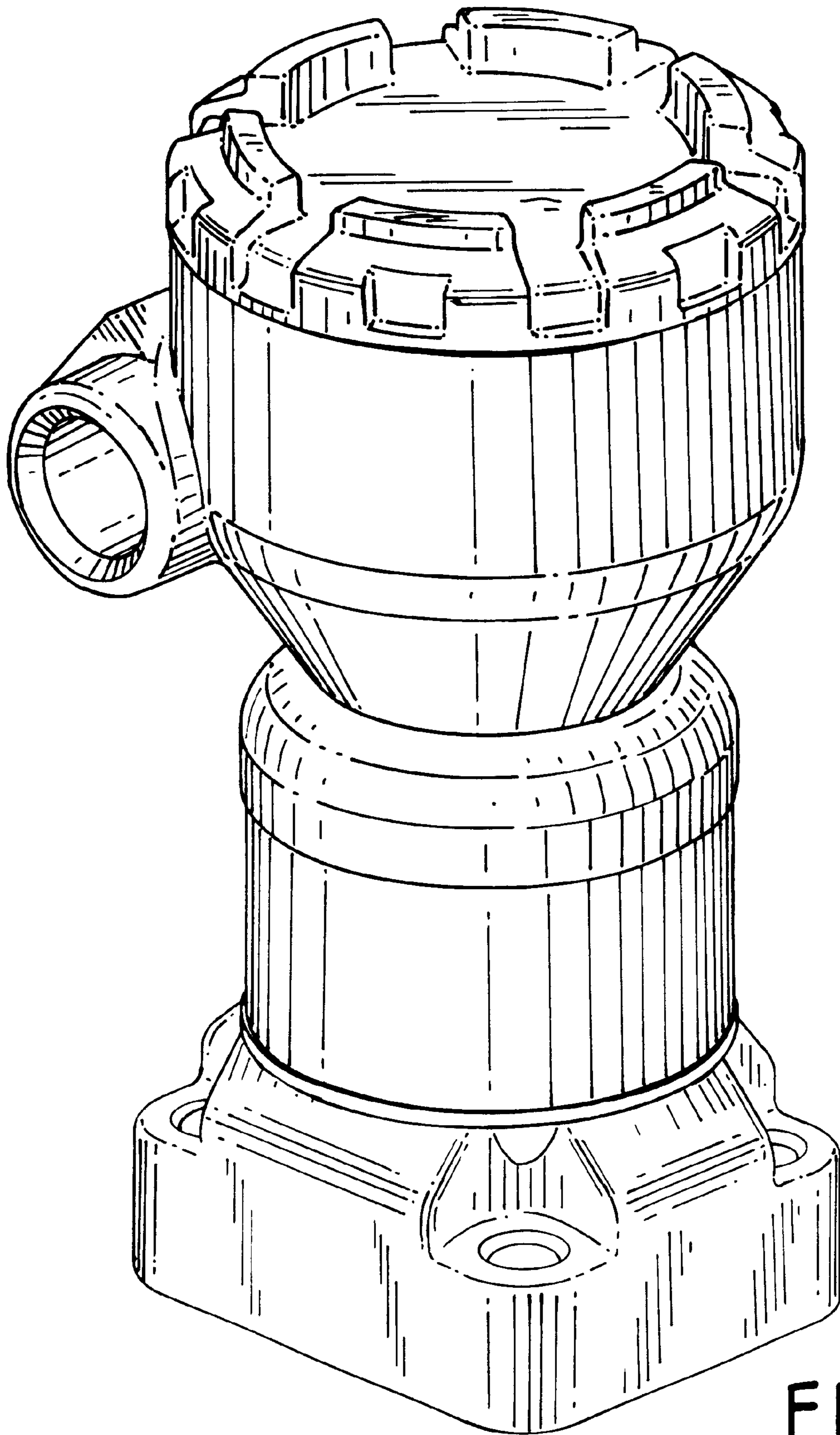


FIG. 1

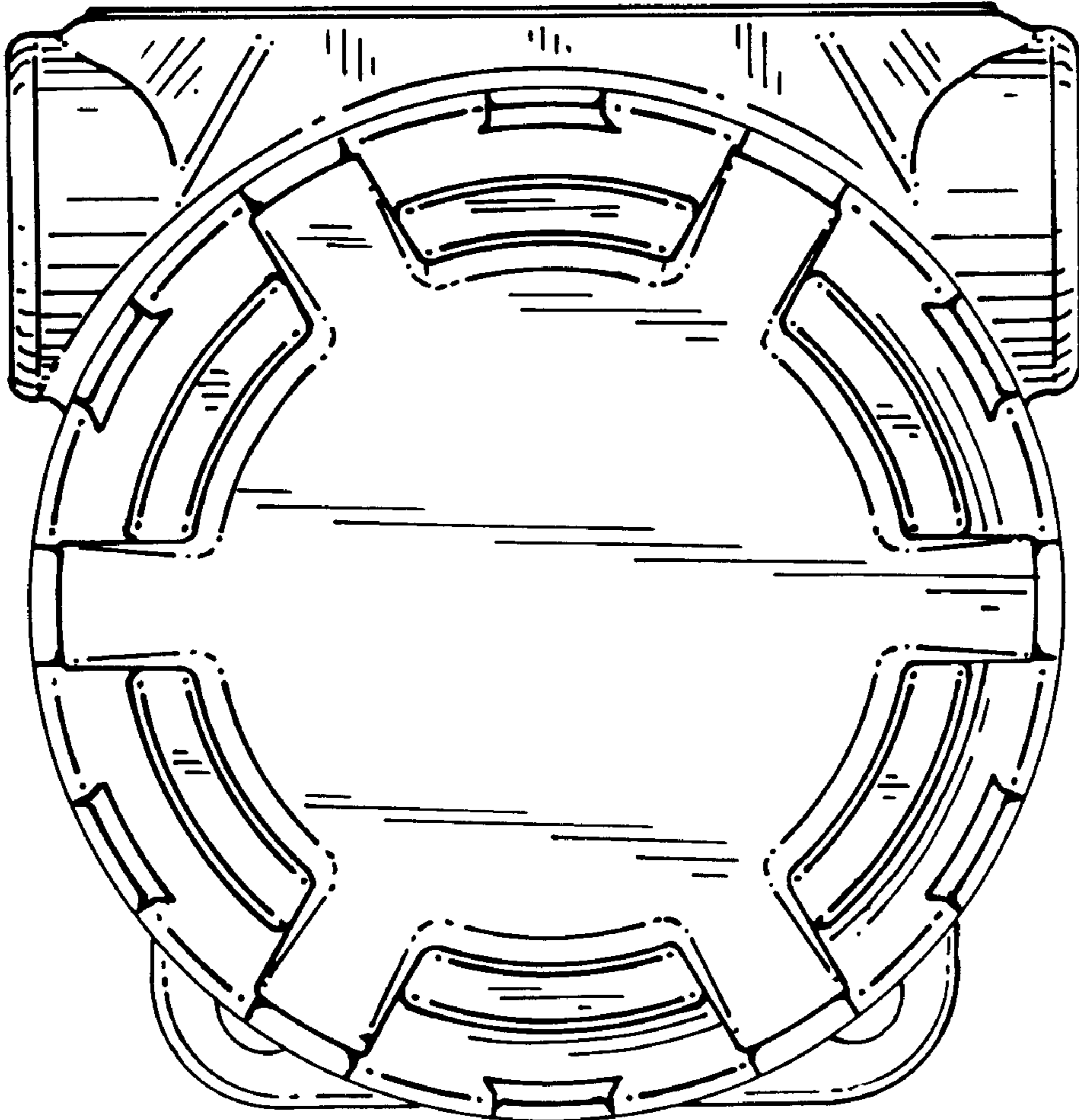


FIG. 2

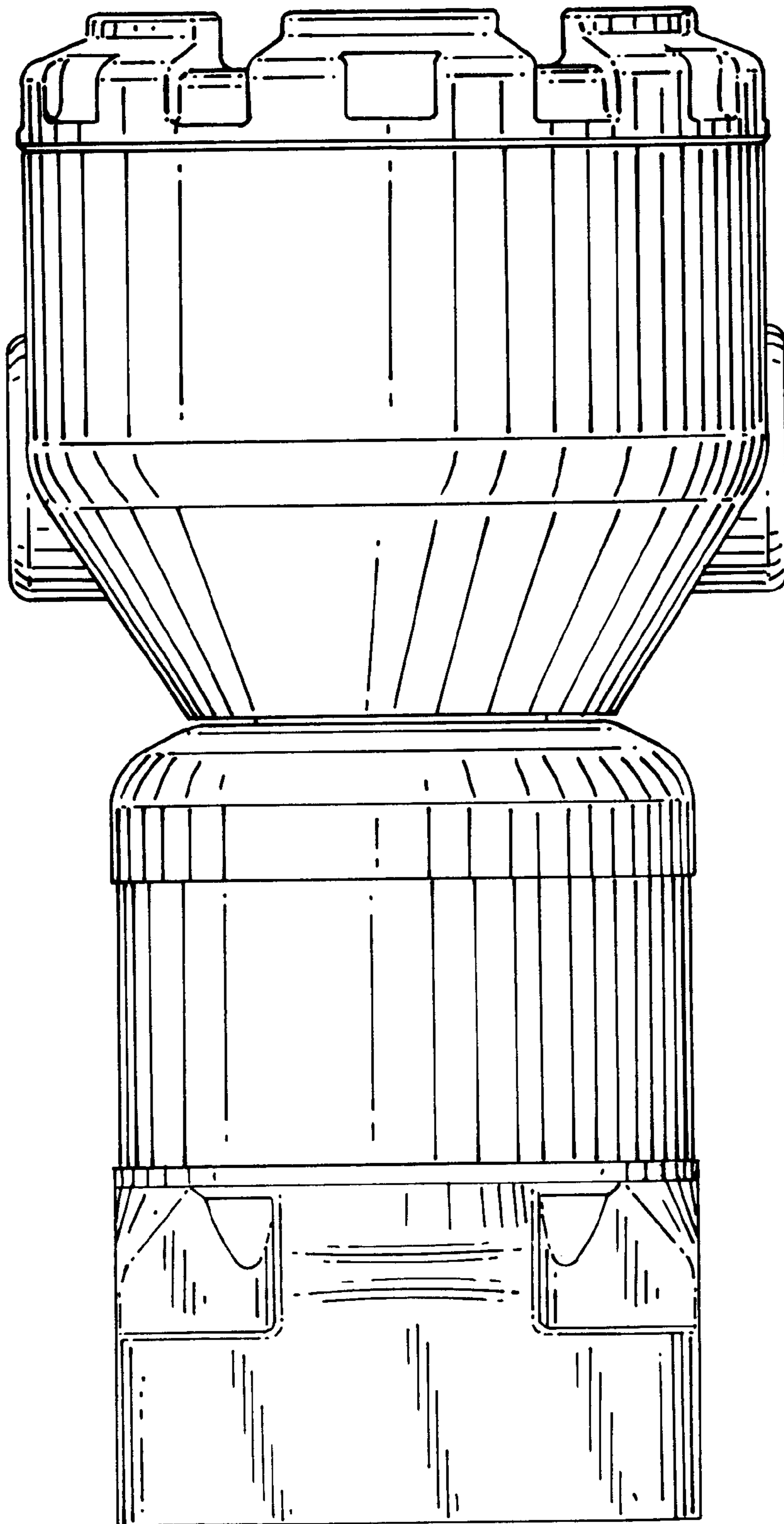


FIG. 3

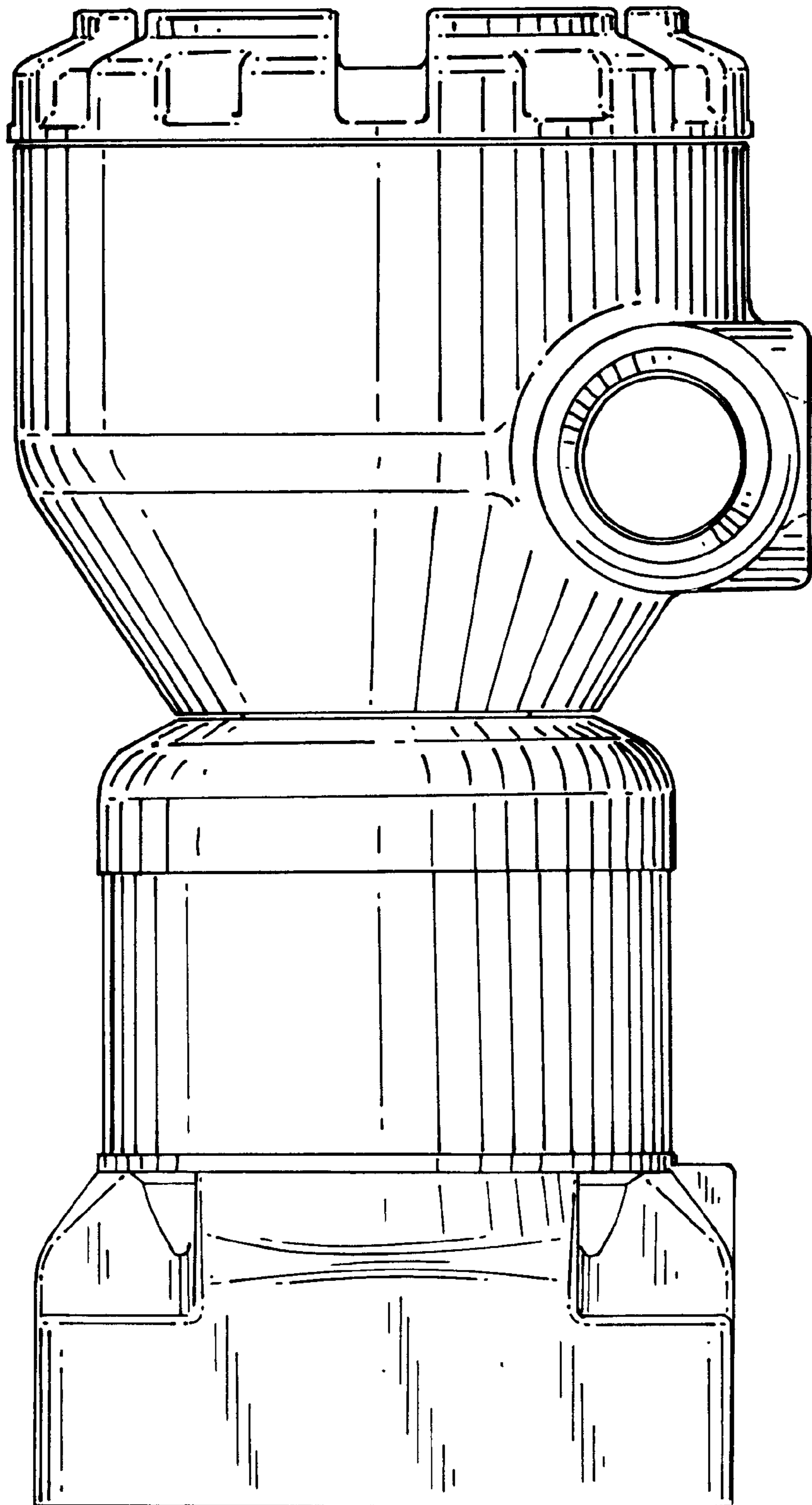


FIG. 4

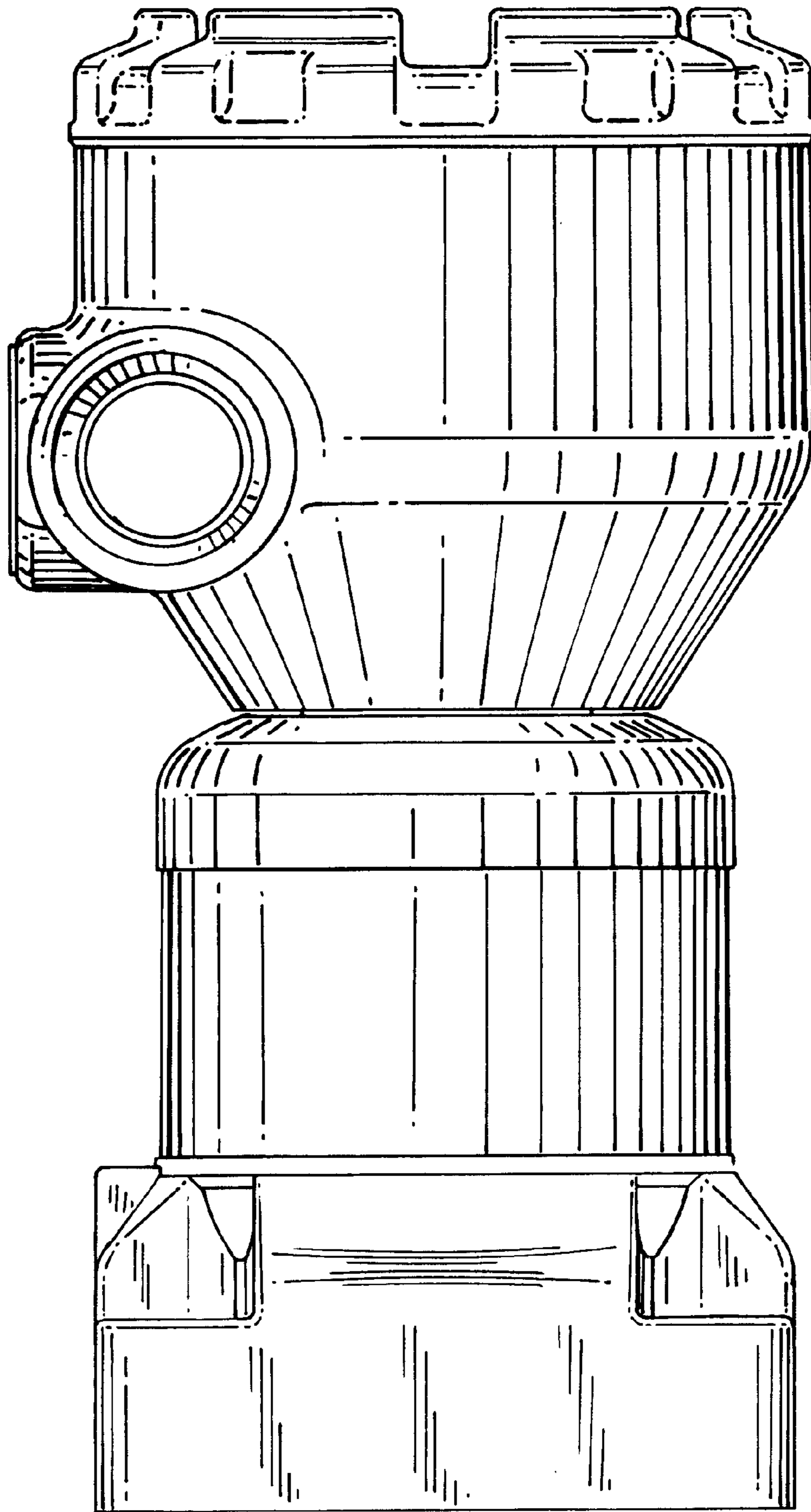


FIG. 5

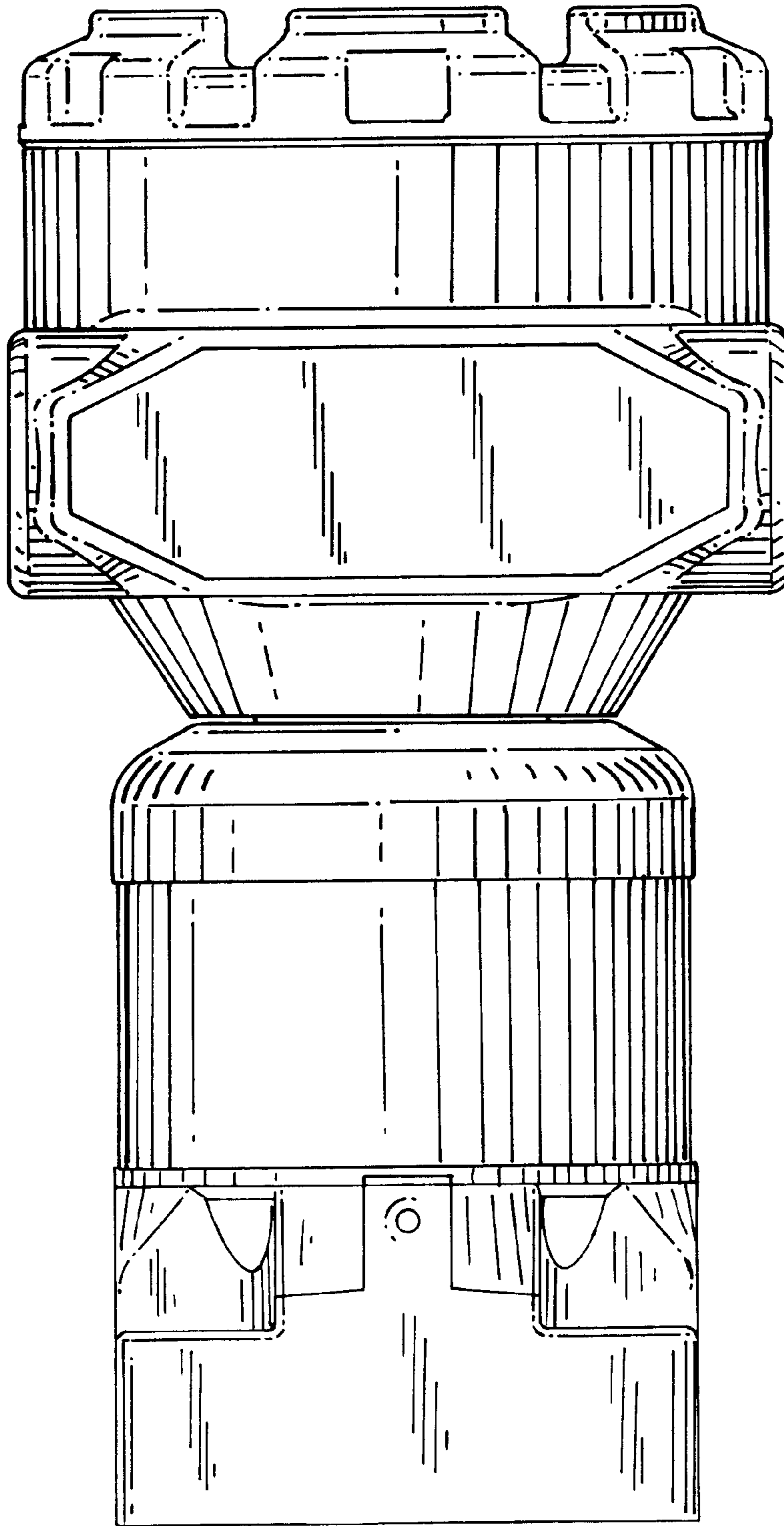


FIG. 6

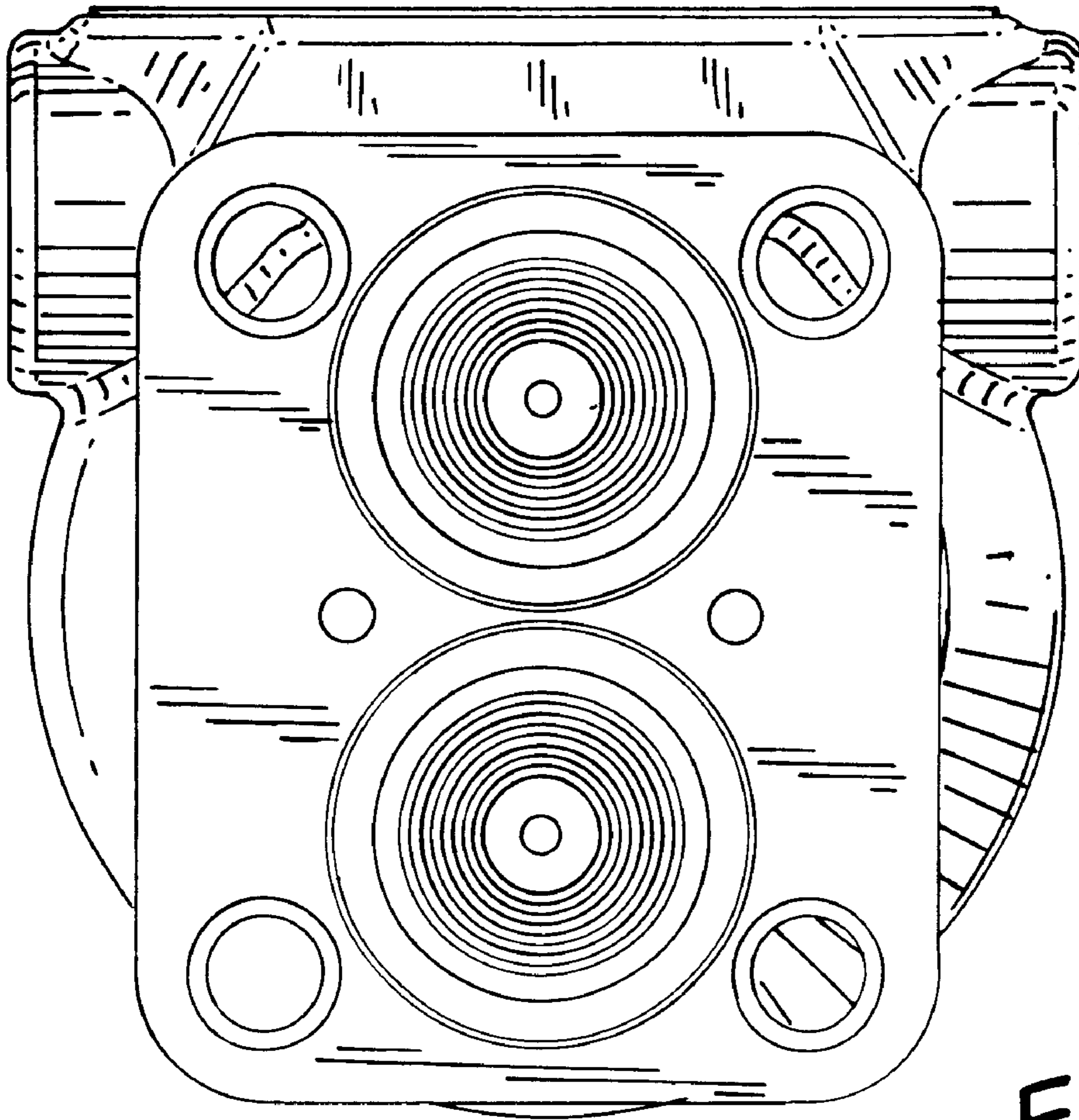


FIG. 7