



US00D441671S

(12) **United States Design Patent**  
**Hsu**

(10) **Patent No.:** **US D441,671 S**

(45) **Date of Patent:** **\*\* May 8, 2001**

(54) **TAPE MEASURE**

D. 430,047 \* 8/2000 Martone et al. .... D10/72

(76) Inventor: **Cheng-Hui Hsu**, No. 126-128, Pao  
Chung Rd., Hsin-Tien, Taipei Hsien  
(TW)

\* cited by examiner

*Primary Examiner*—Antoine Duval Davis  
(74) *Attorney, Agent, or Firm*—Bacon & Thomas, PLLC

(\*\*) Term: **14 Years**

(57) **CLAIM**

(21) Appl. No.: **29/126,955**

The ornamental design for a tape measure, as shown.

(22) Filed: **Jul. 28, 2000**

**DESCRIPTION**

(51) **LOC (7) Cl.** ..... **10-04**

FIG. 1 is a perspective view of a tape measure showing my  
new design;

(52) **U.S. Cl.** ..... **D10/72**

FIG. 2 is a front elevational view thereof;

(58) **Field of Search** ..... D10/72; 33/755-769;  
242/385.1, 390.1, 396.2, 396.7, 397.2

FIG. 3 is a rear elevational view thereof;

FIG. 4 is a left side elevational view thereof;

FIG. 5 is a right side elevational view thereof;

FIG. 6 is a top plan view thereof; and,

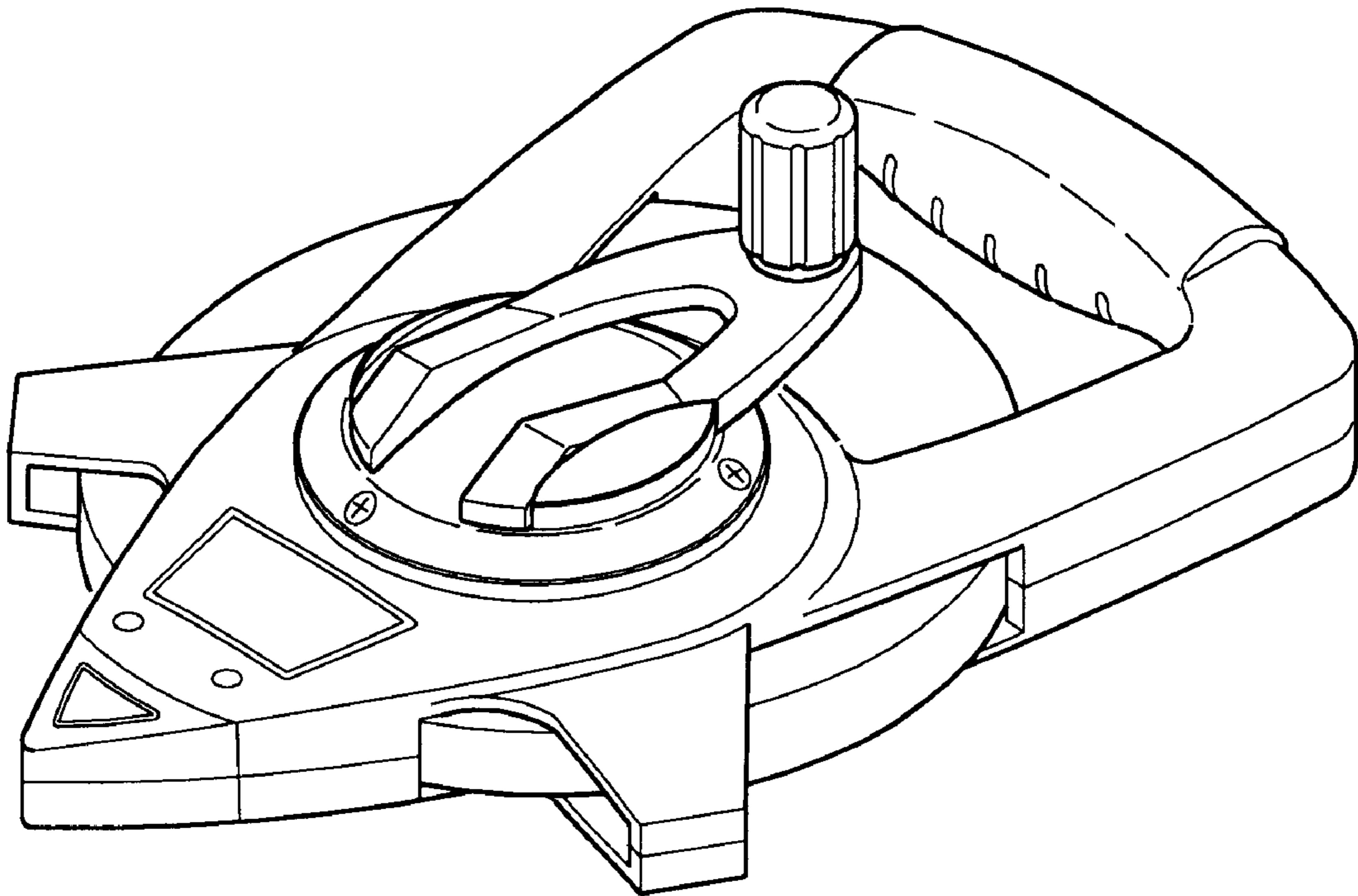
FIG. 7 is a bottom plan view thereof.

(56) **References Cited**

**U.S. PATENT DOCUMENTS**

D. 410,859 \* 6/1999 Hloki ..... D10/72

**1 Claim, 4 Drawing Sheets**



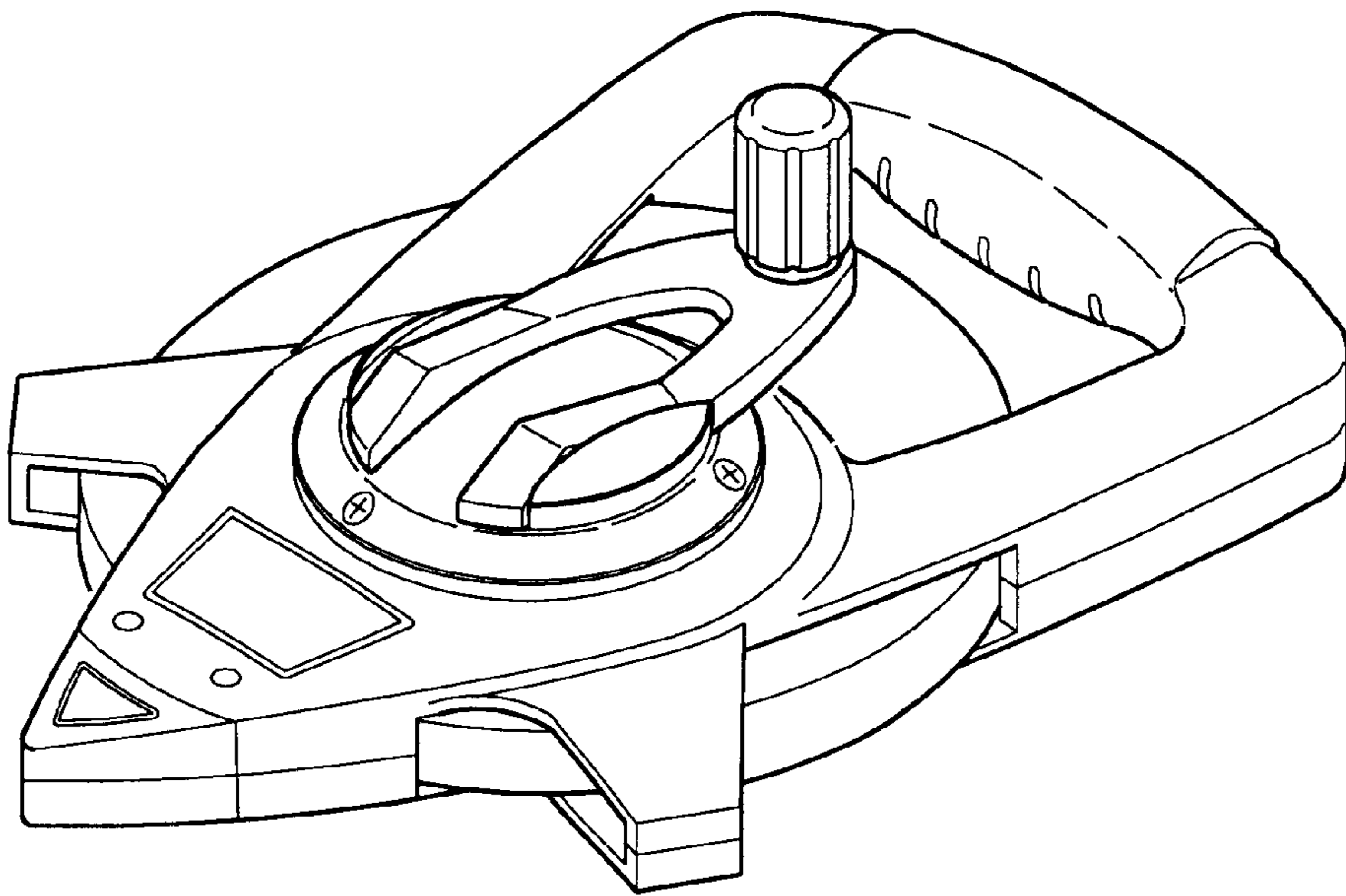


FIG. 1

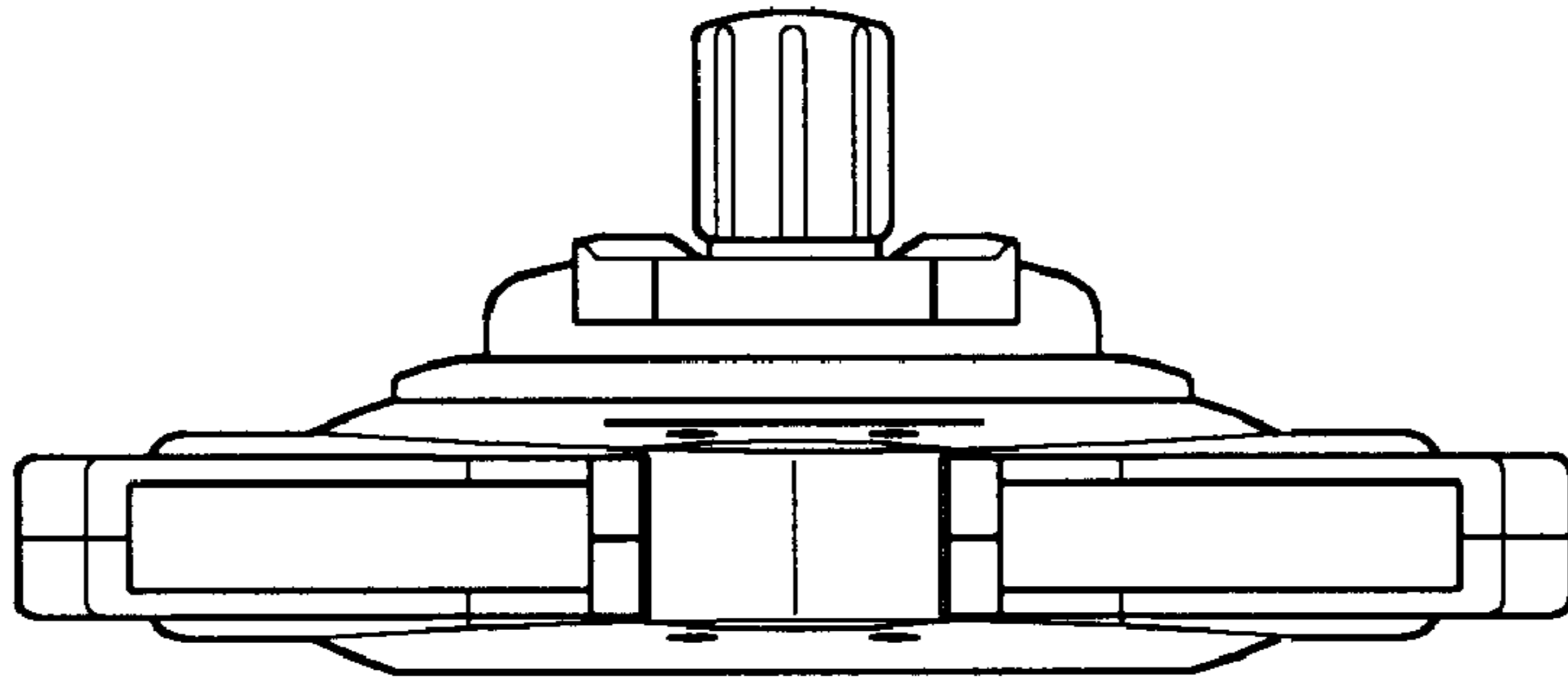


FIG. 2

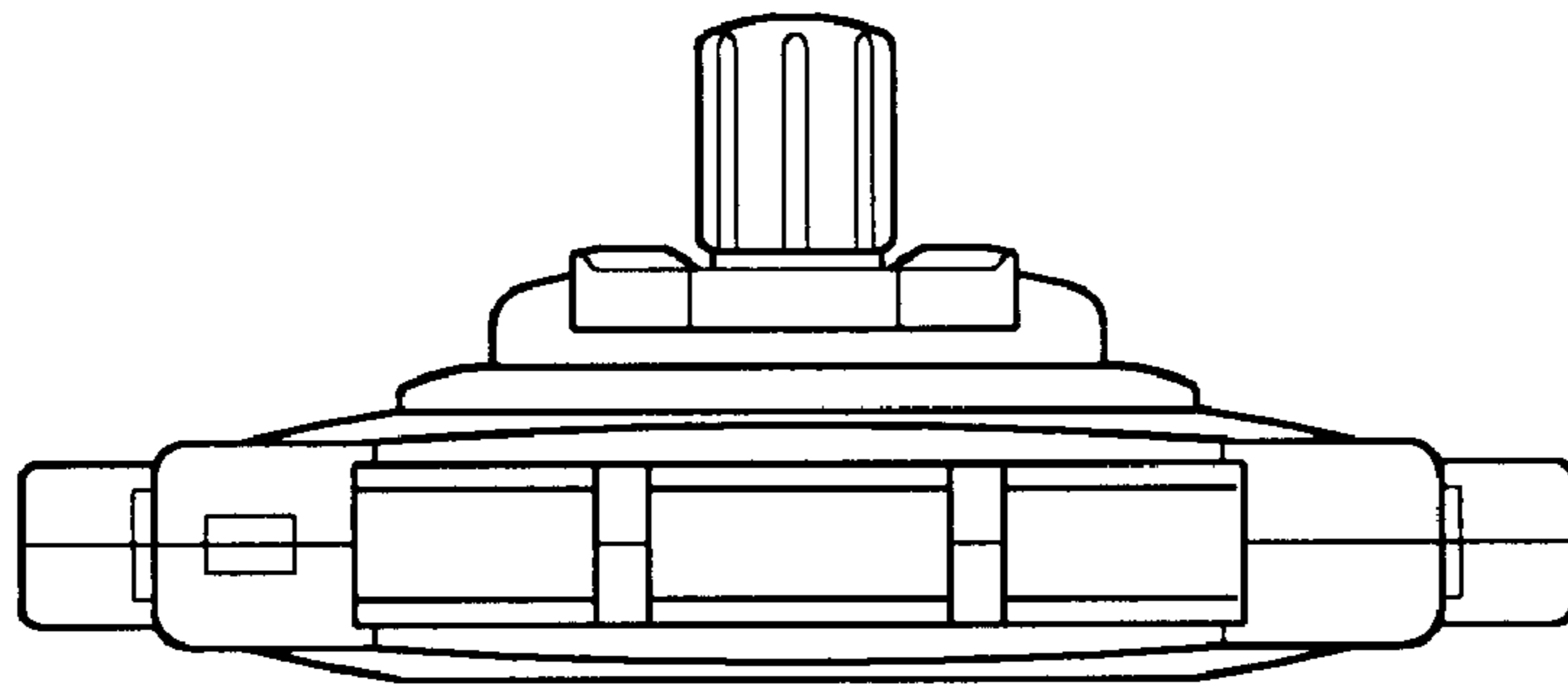


FIG. 3

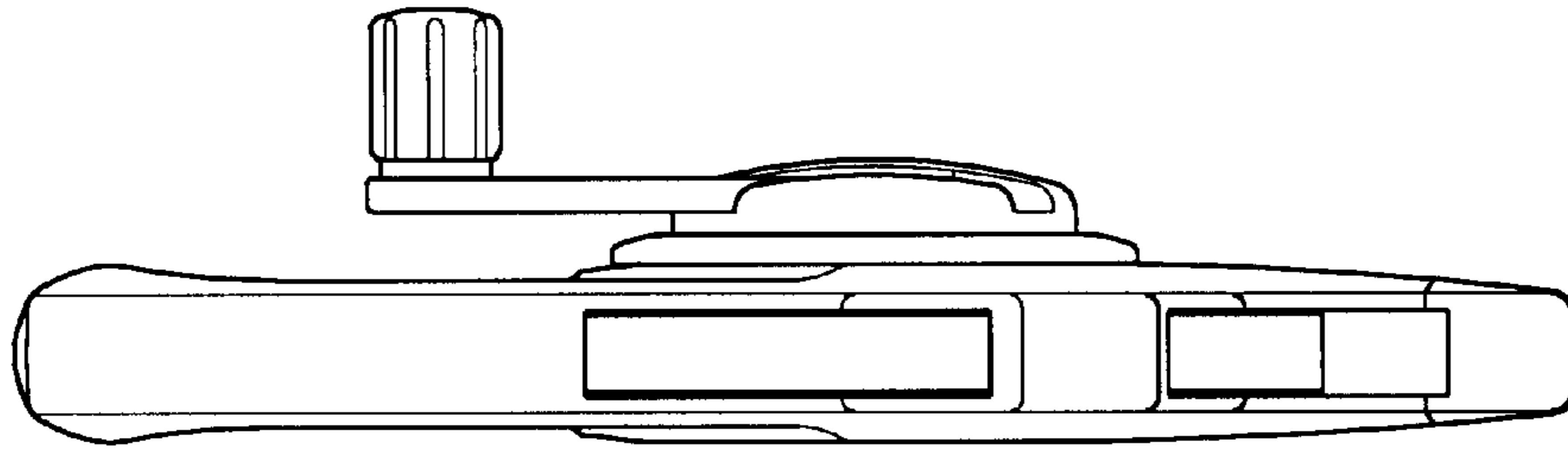


FIG. 4

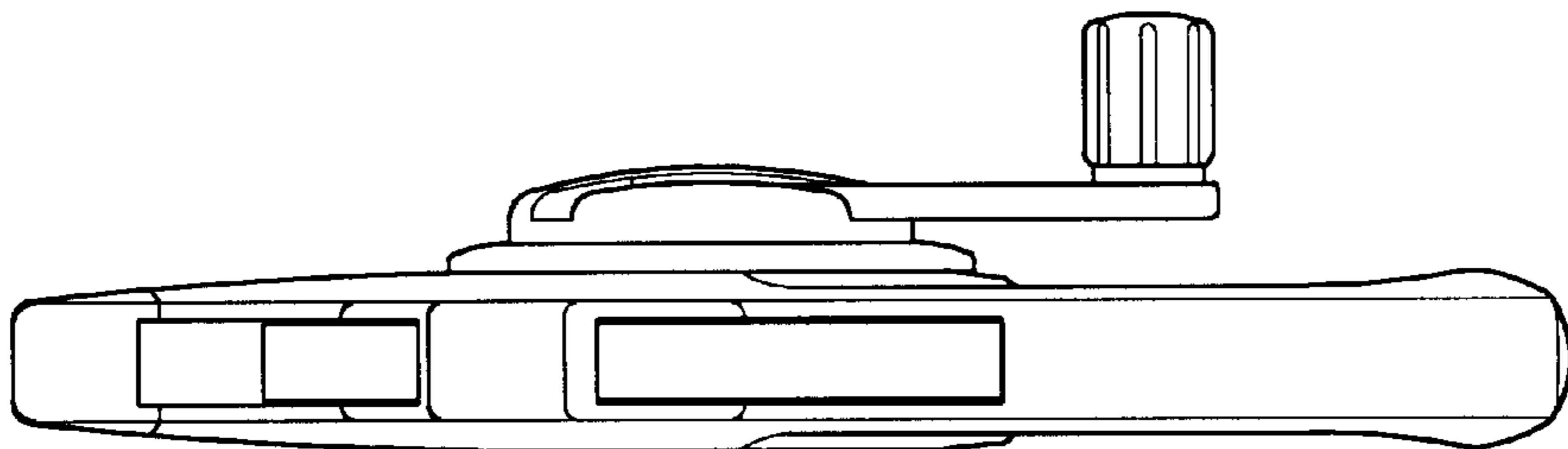


FIG. 5

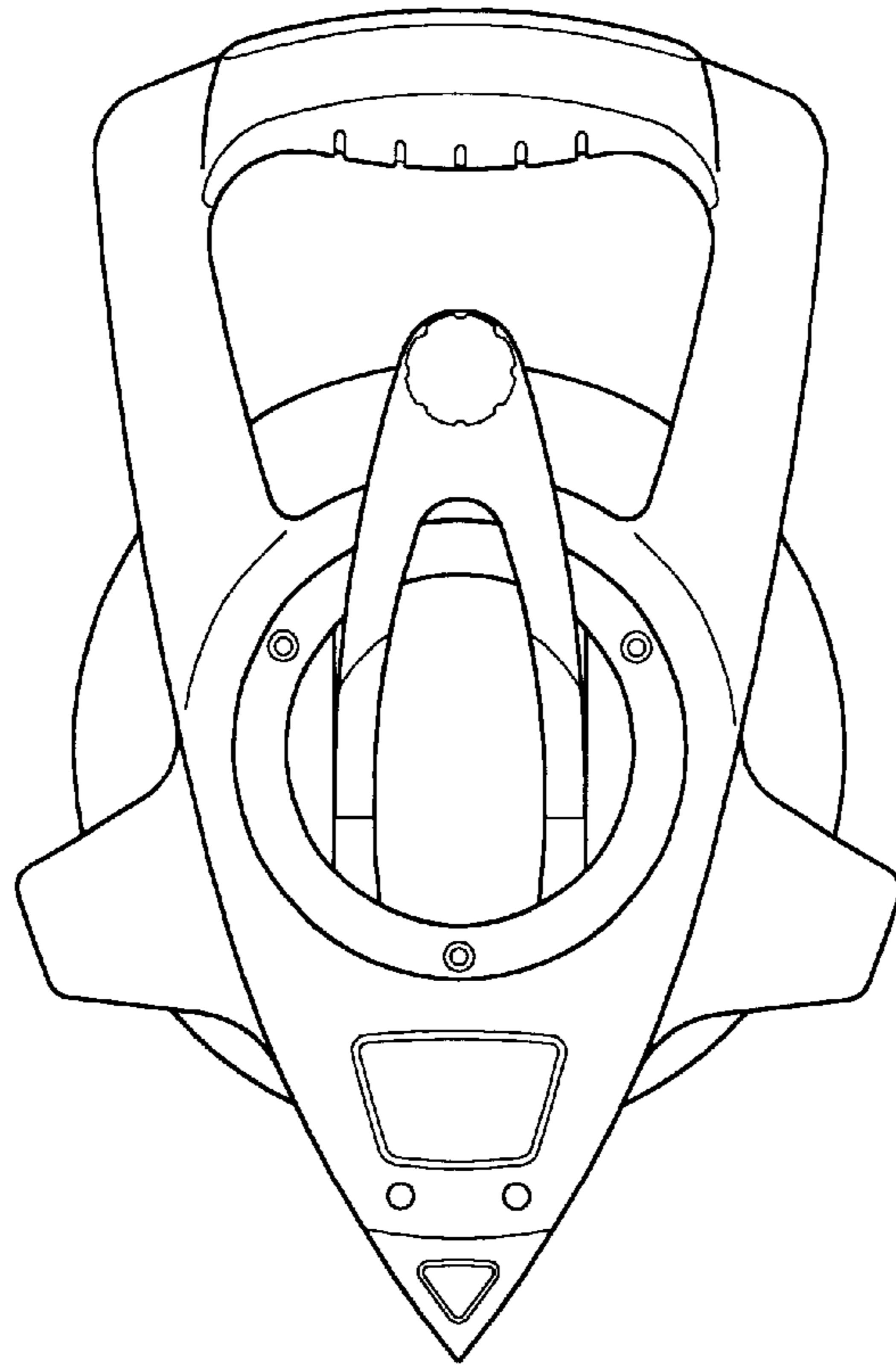


FIG. 6

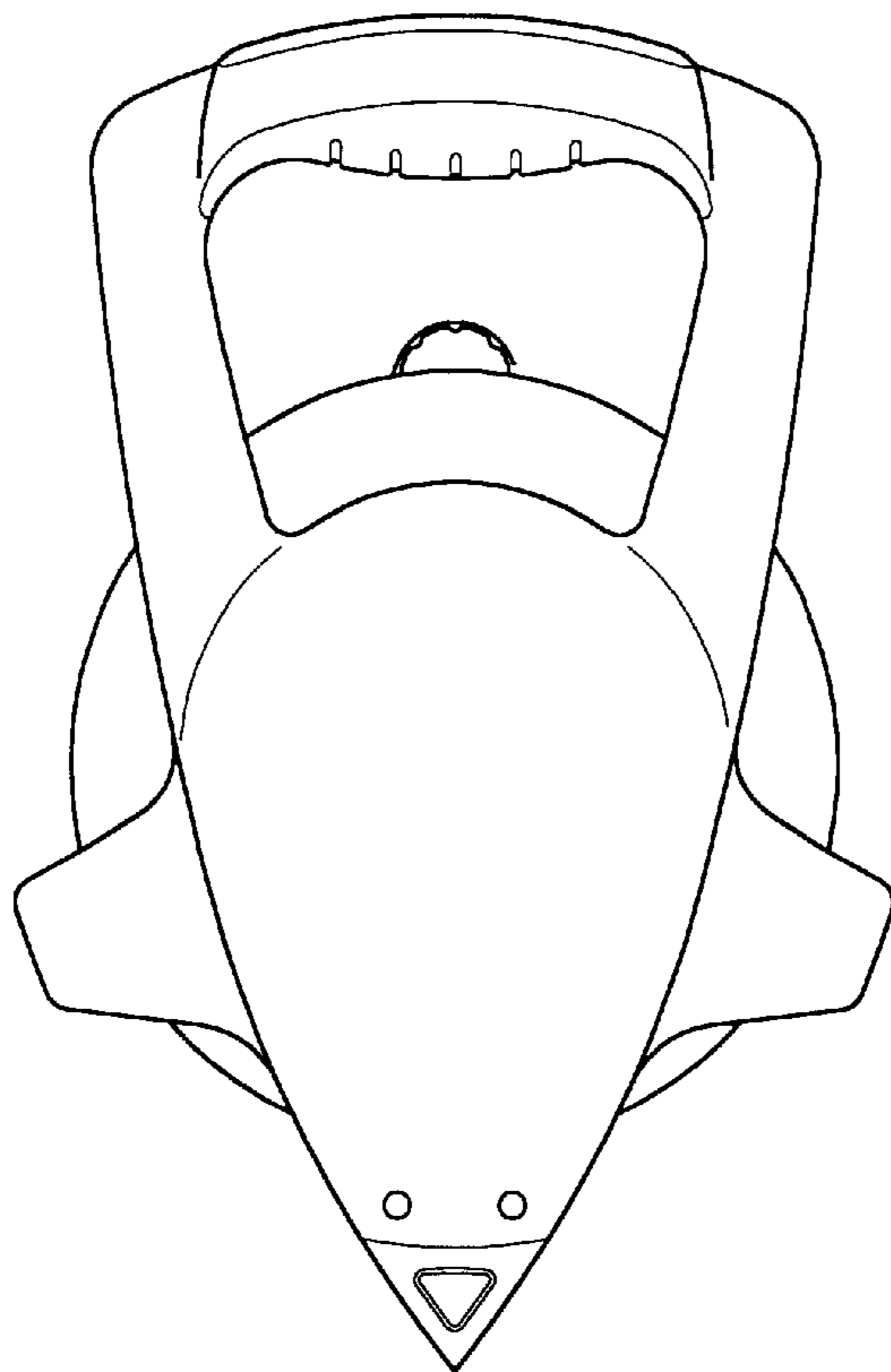


FIG. 7