



US00D441670S

(12) **United States Design Patent**
Jackson et al.

(10) **Patent No.:** **US D441,670 S**

(45) **Date of Patent:** **** May 8, 2001**

(54) **DEPTH FINDER HOUSING**

5,184,330 2/1993 Adams et al. 367/111
5,889,493 * 3/1999 Endo 342/357

(75) Inventors: **David Jackson**, Cumming, GA (US);
John Novak, Lafayette, LA (US);
Nicole Dermikaelian; **Bill Ruth**, both
of Cumming, GA (US); **Darrell Watt**,
Marietta, GA (US)

OTHER PUBLICATIONS

Outer Banks Outfitters, Boater's World Marine Centers 1999
Master Gear Catalog, pp. 4-34, back cover.
Johnny Morris Bass Pro Shops 2000 Master Catalog, pp.
238-244.

(73) Assignee: **Techsonic Industries, Inc.**, Eufala, AL
(US)

* cited by examiner

(**) Term: **14 Years**

Primary Examiner—Antoine Duval Davis

(21) Appl. No.: **29/119,708**

(74) *Attorney, Agent, or Firm*—Baker, Donelson, Bearman
& Caldwell

(22) Filed: **Mar. 6, 2000**

(57) **CLAIM**

(51) **LOC (7) Cl.** **10-04**

The ornamental design for a depth finder housing, as shown
and described.

(52) **U.S. Cl.** **D10/65**

(58) **Field of Search** D10/65; 361/394,
361/422, 784; 364/444, 499, 708.1, 460;
367/111, 88, 98, 908; 342/357, 419, 457;
343/878, 702

DESCRIPTION

(56) **References Cited**

U.S. PATENT DOCUMENTS

D. 289,265	4/1987	Wood et al.	D10/46
D. 296,767	7/1988	Wood et al.	D10/46
D. 389,757 *	1/1998	Nishimura et al.	D10/65
D. 422,924 *	4/2000	Bendinelli	D10/65
4,829,493	5/1989	Bailey	367/111
4,873,676	10/1989	Bailey et al.	367/98
5,099,348 *	3/1992	Huddleston et al.	342/357

FIG. 1 is an enlarged perspective view of our new design for
a depth finder housing;
FIG. 2 is a front elevational view thereof;
FIG. 3 is a back elevational view thereof;;
FIG. 4 is a left side elevational view thereof;
FIG. 5 is a right side elevational view thereof;
FIG. 6 is a bottom plan view thereof; and,
FIG. 7 is a top plan view thereof.

The phantom lines illustrating a stand in FIG. 1 form no part
of the claimed design.

1 Claim, 4 Drawing Sheets

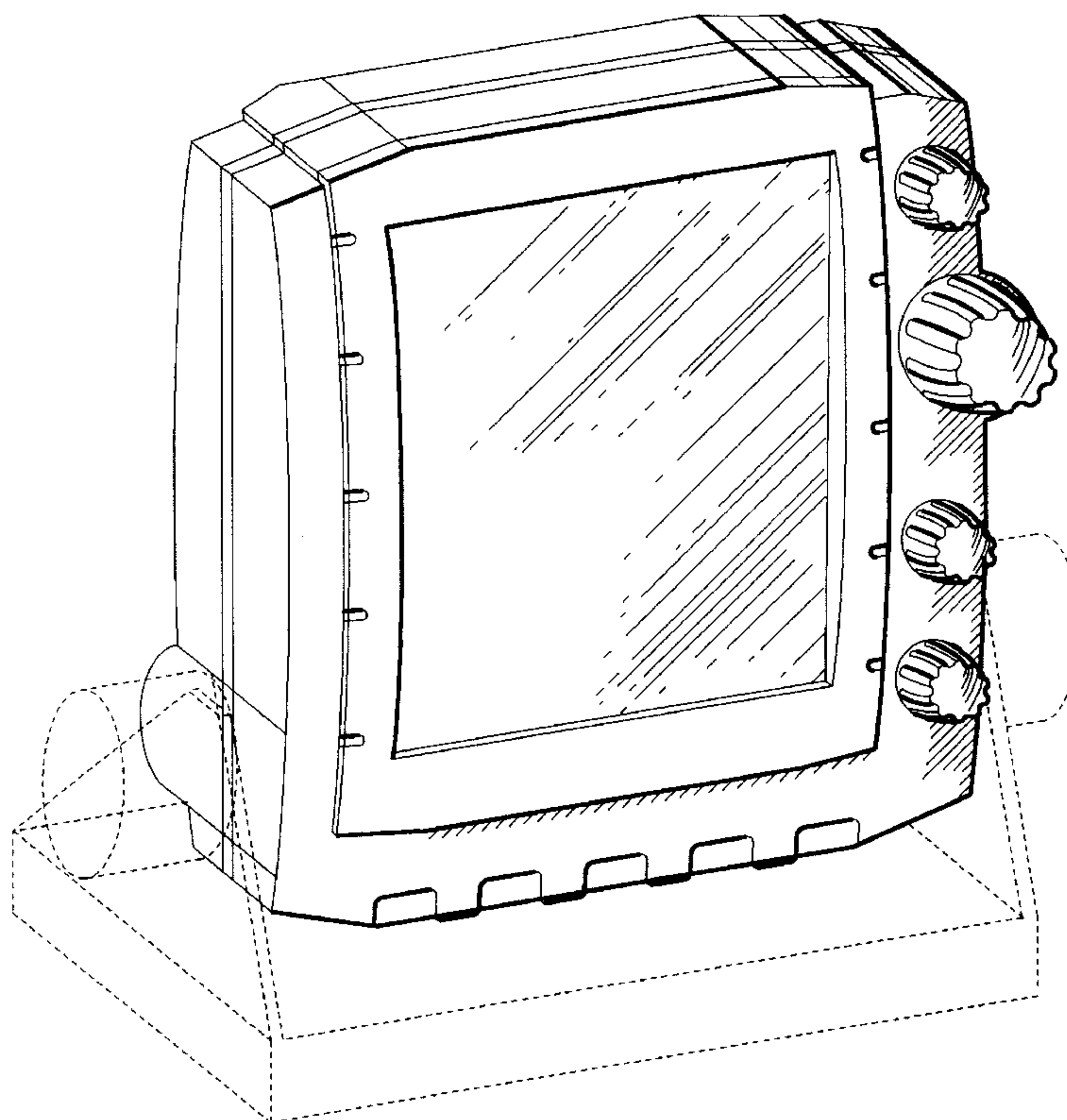


Fig. 1

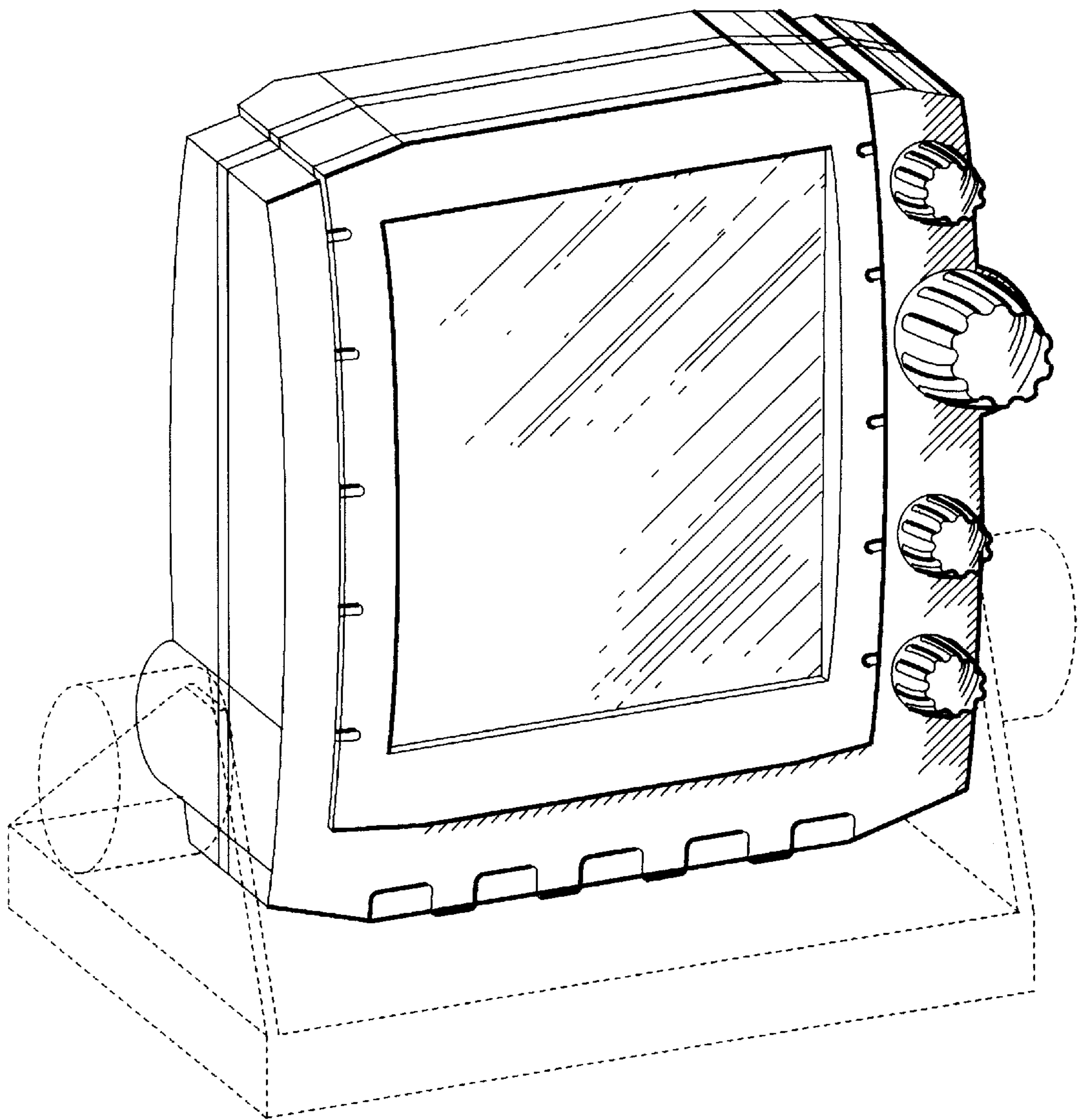


Fig. 2

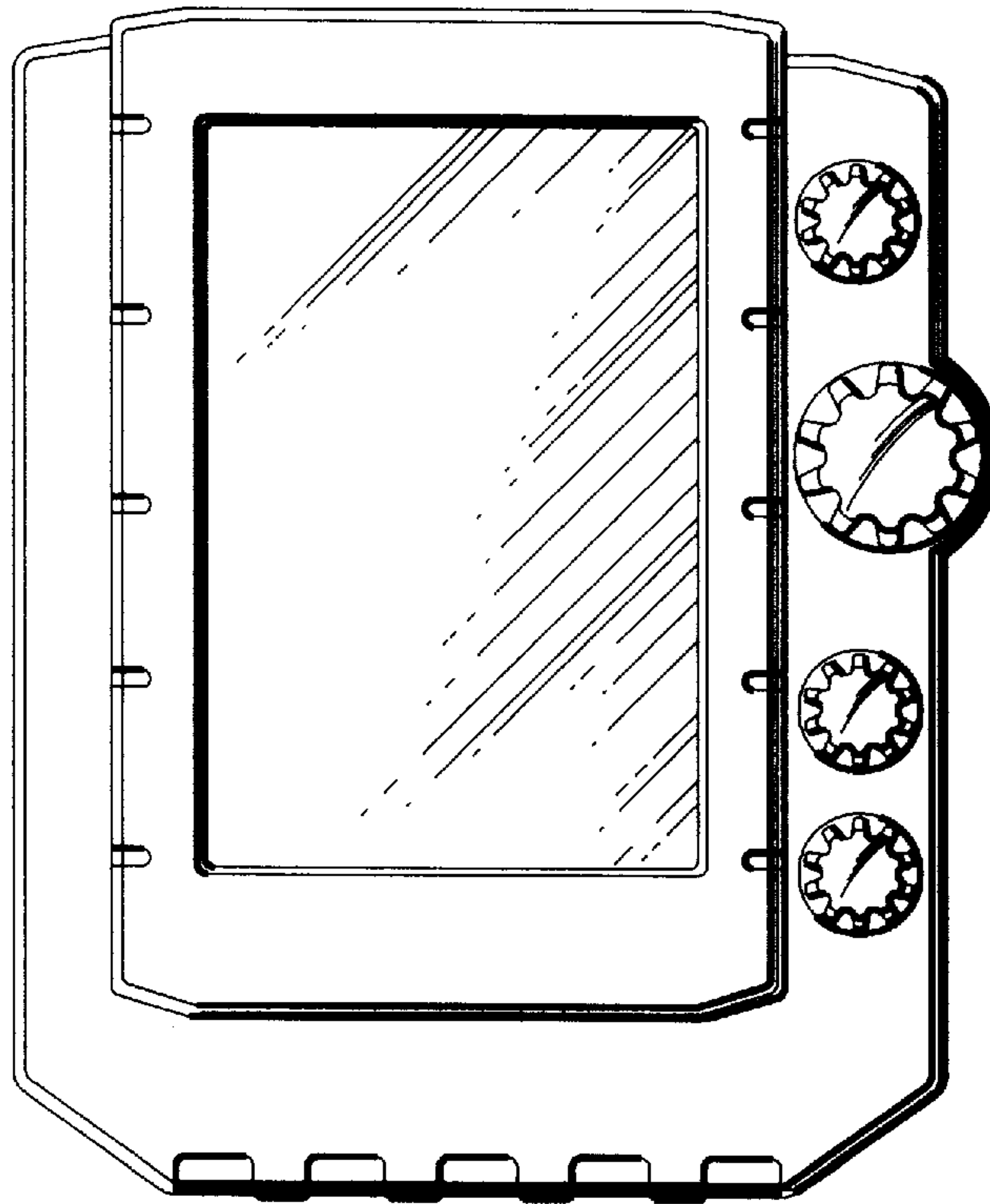


Fig. 3

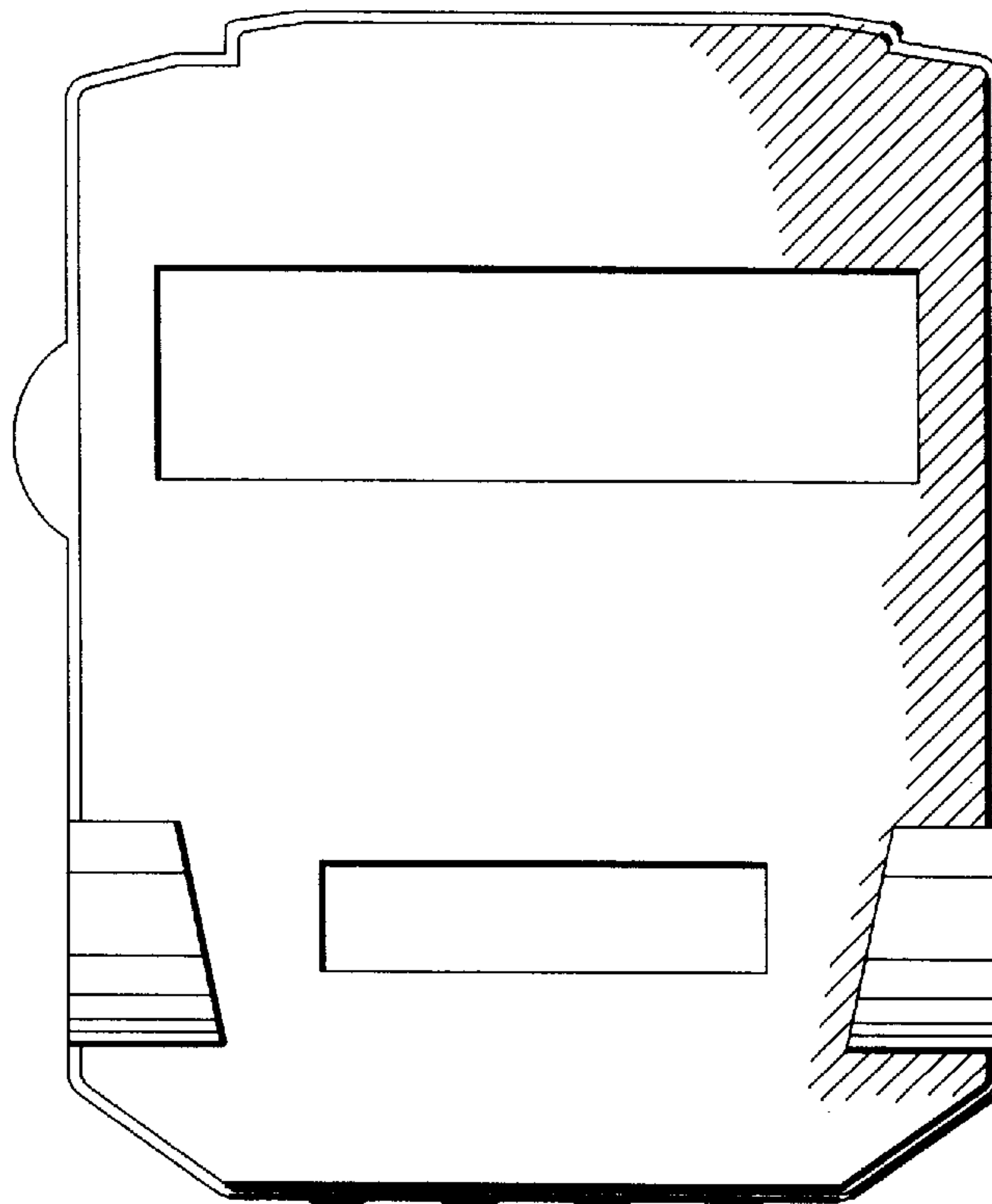


Fig. 4

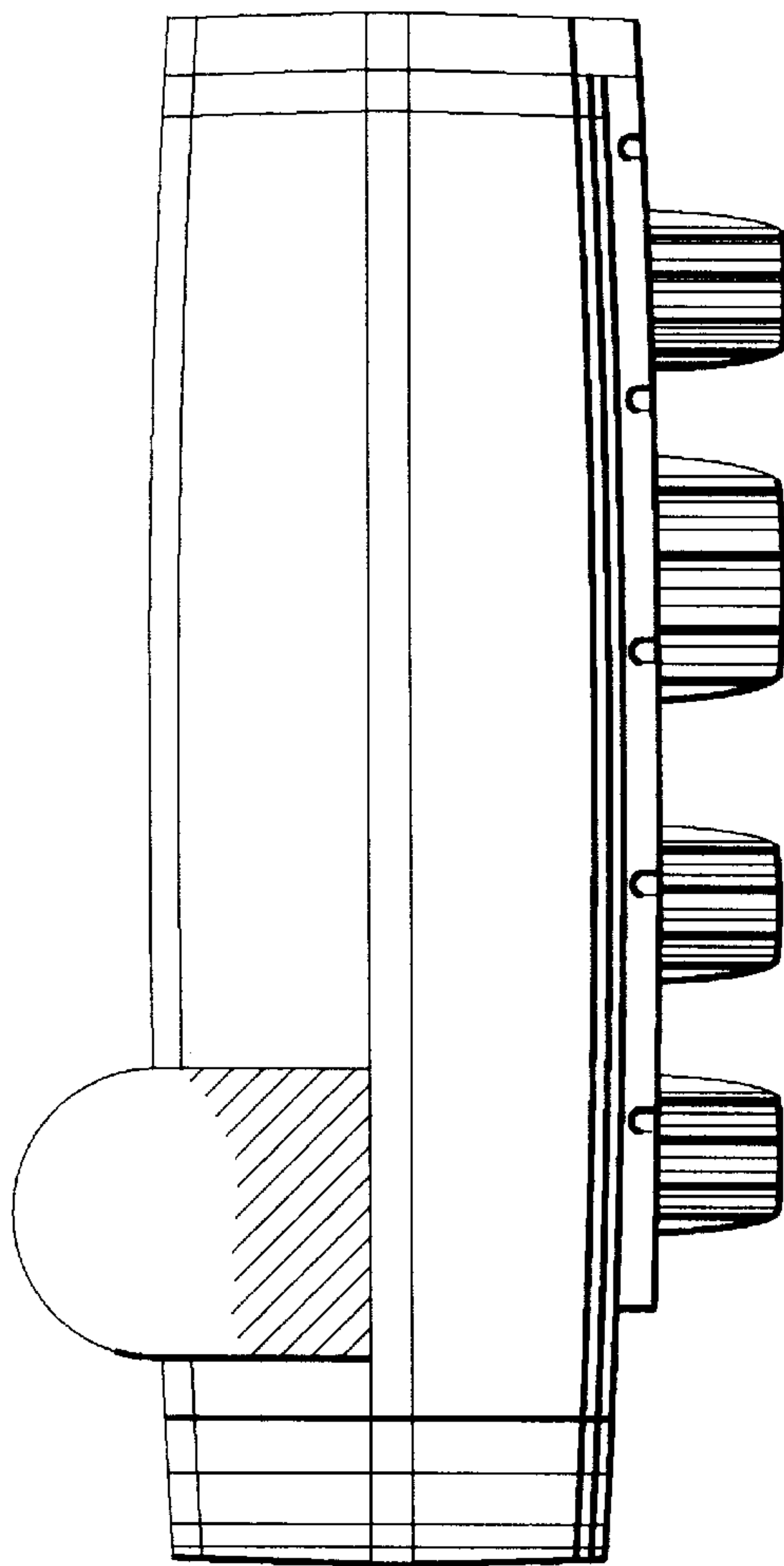


Fig. 5

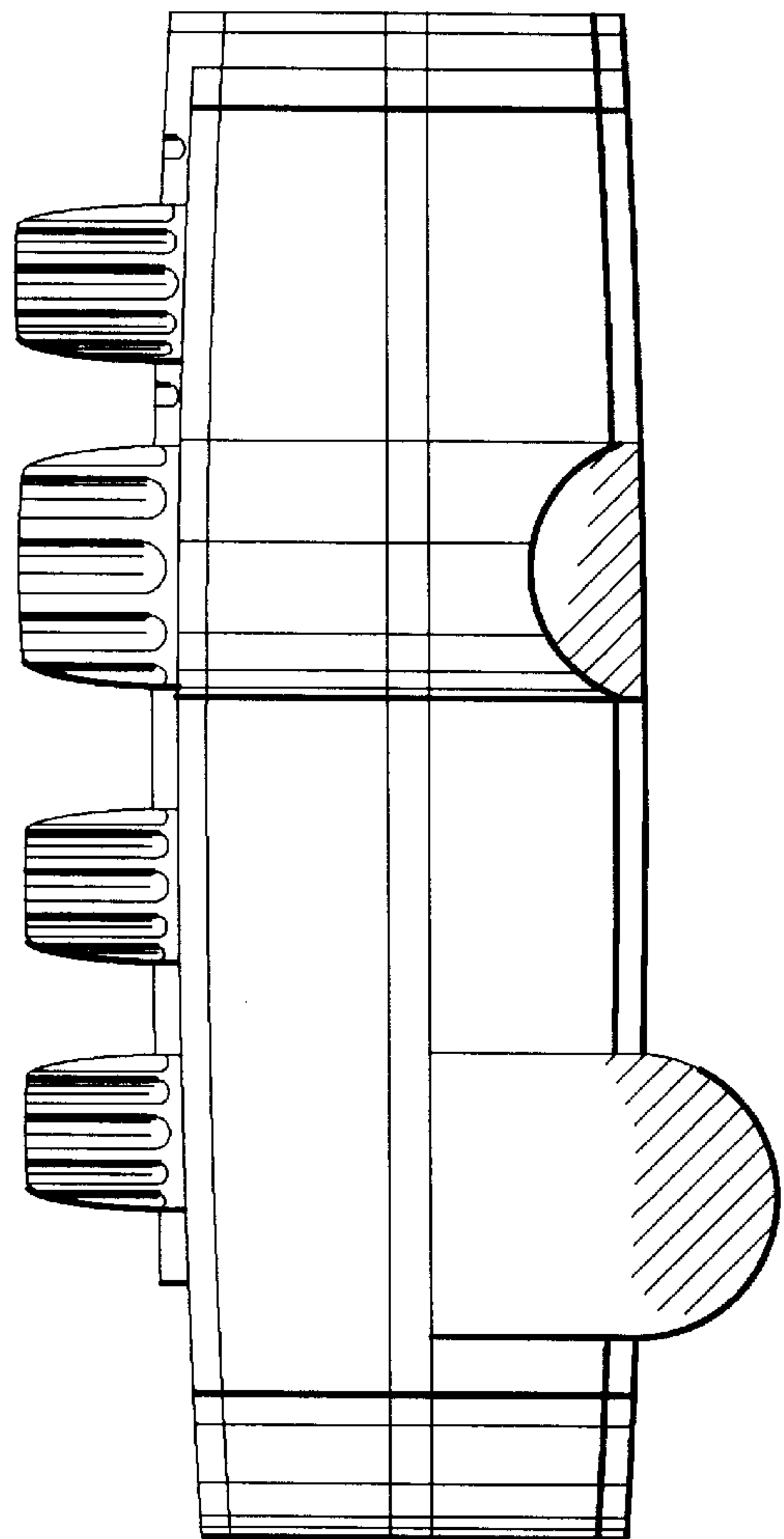


Fig. 6

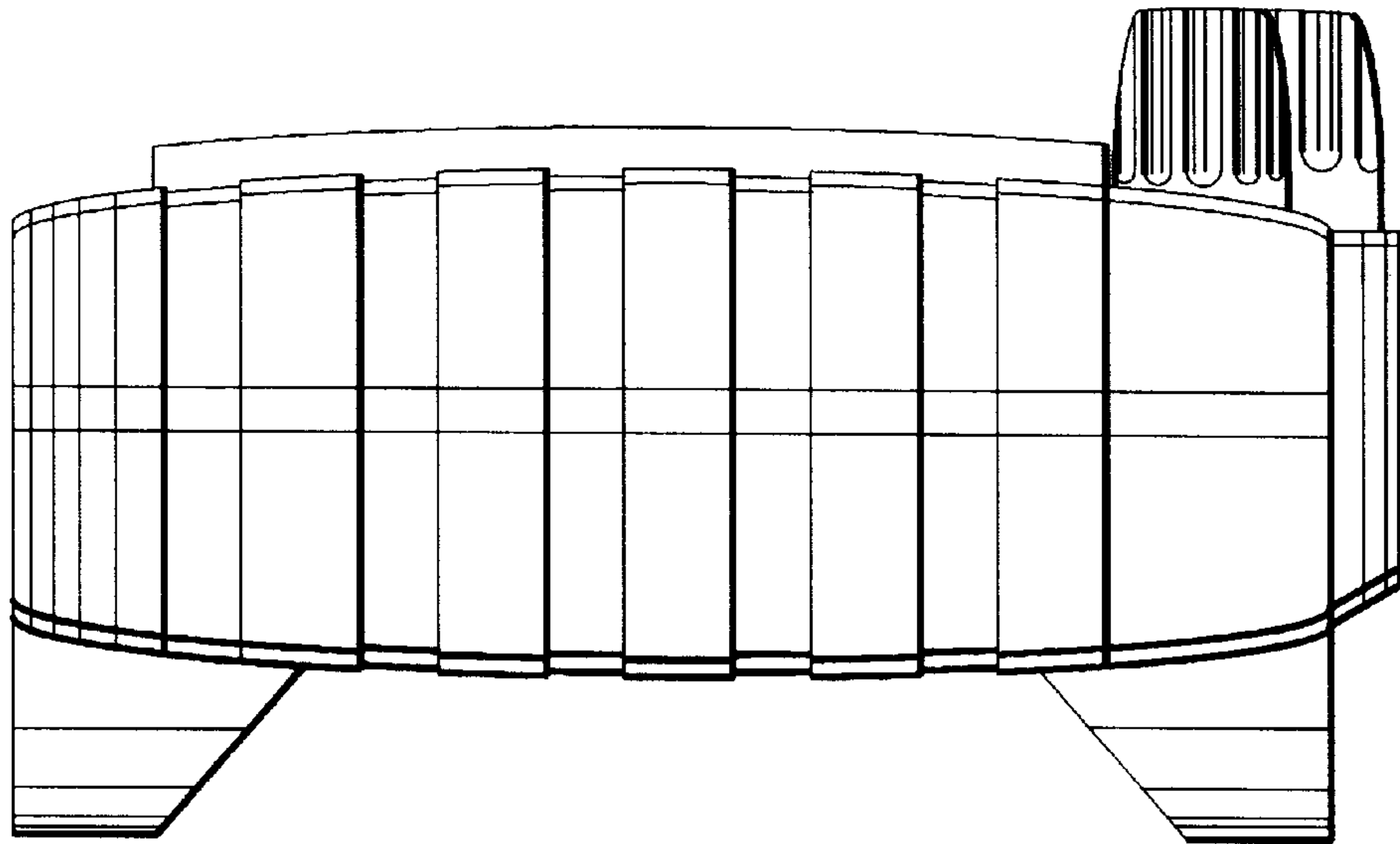


Fig. 7

