



US00D441660S

(12) **United States Design Patent**
Denner et al.

(10) **Patent No.:** **US D441,660 S**

(45) **Date of Patent:** **** May 8, 2001**

(54) **CONTAINER DOME**

(75) Inventors: **John E. Denner**, Dover, PA (US); **Paul Kelley**, Thurmont, MD (US); **Richard Ogg**, Littlestown, PA (US)

(73) Assignee: **Graham Packaging Company, L.P.**, York, PA (US)

(**) Term: **14 Years**

(21) Appl. No.: **29/093,105**

(22) Filed: **Sep. 3, 1998**

(51) **LOC (7) Cl.** **09-01**

(52) **U.S. Cl.** **D9/571; D9/559; D9/574**

(58) **Field of Search** D9/553, 538, 539,
D9/540, 541, 559, 434, 556, 571, 530;
215/381, 382, 383, 384

D. 369,556	5/1996	Launder et al. .	
D. 370,634	6/1996	Mero et al. .	
D. 381,274	7/1997	Luh et al. .	
D. 384,586	10/1997	Peek .	
D. 386,407	11/1997	Gutting et al. .	
D. 386,418	11/1997	Edstrom et al. .	
D. 387,279	12/1997	Emre et al. .	
D. 395,826 *	7/1998	Hygaard, Sr.	D9/553
D. 403,243	12/1998	Takeuchi et al.	D9/532
D. 411,453 *	6/1999	Piccioli et al.	D9/538
D. 411,740 *	6/1999	Kim	D9/553
D. 425,424 *	5/2000	Cheng et al.	D9/520
4,024,975	5/1977	Uhlig .	
4,818,575	4/1989	Hirata et al. .	
4,946,053	8/1990	Conrad .	

(List continued on next page.)

Primary Examiner—B. J. Bullock

Assistant Examiner—Carol Rademaker

(74) *Attorney, Agent, or Firm*—Howson and Howson

(56) **References Cited**

U.S. PATENT DOCUMENTS

D. 61,658	11/1922	Graham .	
D. 63,326 *	11/1923	Root	D9/556
D. 74,066 *	12/1927	Mas	D9/571
D. 82,578 *	11/1930	Oblander	D9/571
D. 95,989 *	6/1935	Sakier	D9/553
D. 177,263	3/1956	Kilmon, Jr. .	
D. 193,311 *	7/1962	Buckley	D9/571
D. 204,325 *	4/1966	Myers	D9/529
D. 206,464 *	12/1966	Roberts	D9/571
D. 218,020	7/1970	Musson .	
D. 225,510	12/1972	Strand .	
D. 292,378	10/1987	Brandt et al. .	
D. 293,890	1/1988	Rogler .	
D. 294,118	2/1988	Papa .	
D. 294,463	3/1988	Lang .	
D. 295,375	4/1988	Lang .	
D. 295,499	5/1988	LeFevre .	
D. 316,968	5/1991	York .	
D. 322,562	12/1991	Narsutis .	
D. 331,881	12/1992	Garver et al. .	
D. 340,190	10/1993	Skidmore et al. .	
D. 346,556	5/1994	Sirico et al. .	
D. 348,007	6/1994	Feen .	

(57) **CLAIM**

The ornamental design for a container dome, as shown and described.

DESCRIPTION

FIG. 1 is a perspective view of a container dome embodying our new design;

FIG. 2 is an elevational view of the container dome of FIG. 1;

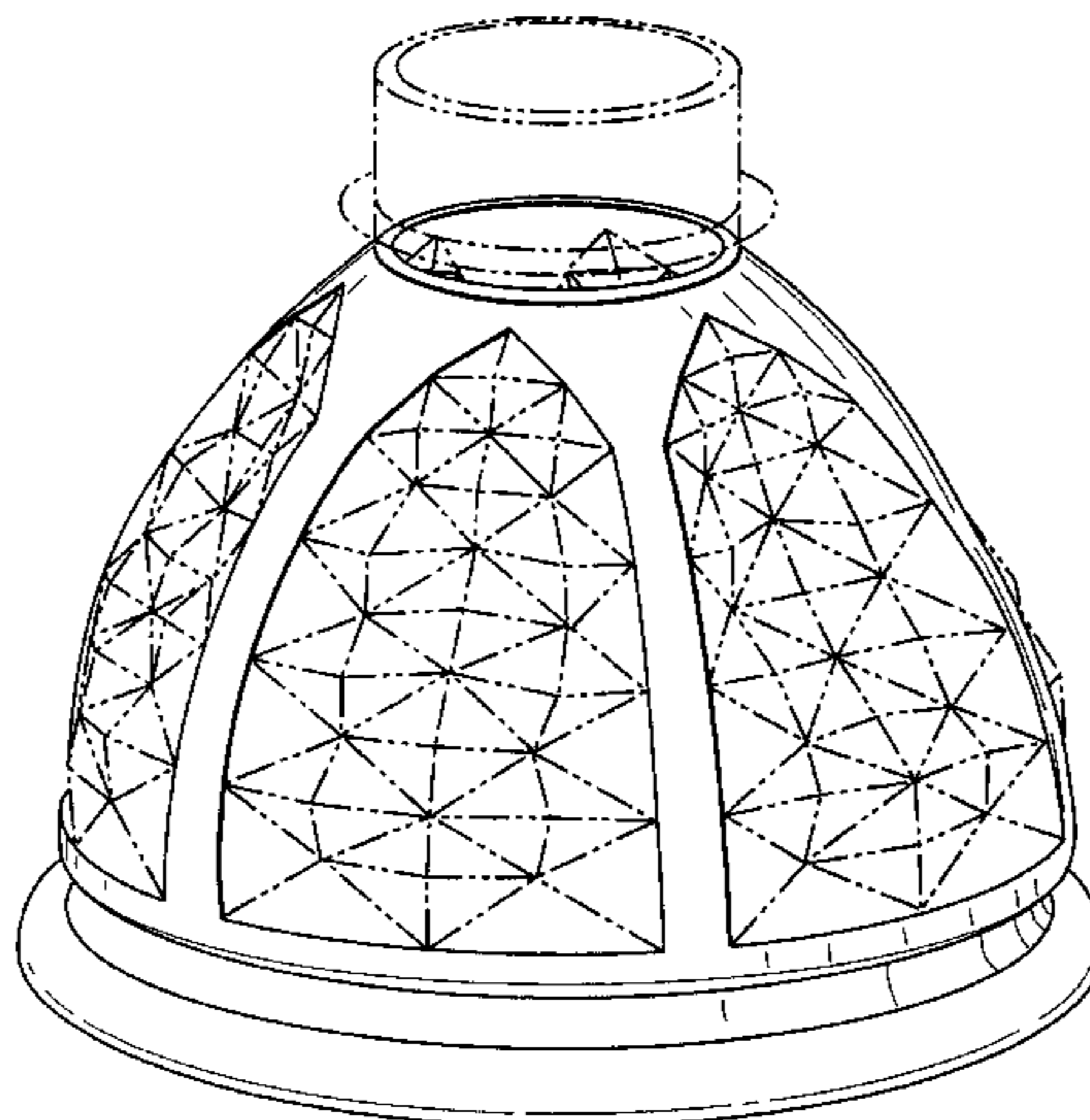
FIG. 3 is an elevational view of the container dome of FIG. 2 rotated clockwise 30° about its central vertical axis;

FIG. 4 is a top plan view of the container dome of FIG. 1; and,

FIG. 5 is a bottom plan view of the container dome of FIG. 1.

The broken line showing of the spout in FIGS. 1–3 and of the multi-faceted panels in FIGS. 1–5 is for illustrative purposes only and forms no part of the claimed design.

1 Claim, 3 Drawing Sheets



US D441,660 S

Page 2

U.S. PATENT DOCUMENTS

5,067,622	11/1991	Garver et al.	215/1 C	5,303,834	*	4/1994	Krishnakumar et al.	215/381	
5,141,121	*	8/1992	Brown et al.	215/384	5,472,105	*	12/1995	Krishnakumar et al.	215/384
5,201,438		4/1993	Norwood .		5,499,730		3/1996	Harbour .	
5,222,615		6/1993	Ota et al. .		5,762,221		6/1998	Tobias et al. .	
5,224,614		7/1993	Bono et al. .		6,044,996		4/2000	Carew et al.	215/381
5,238,129		8/1993	Ota .						

* cited by examiner

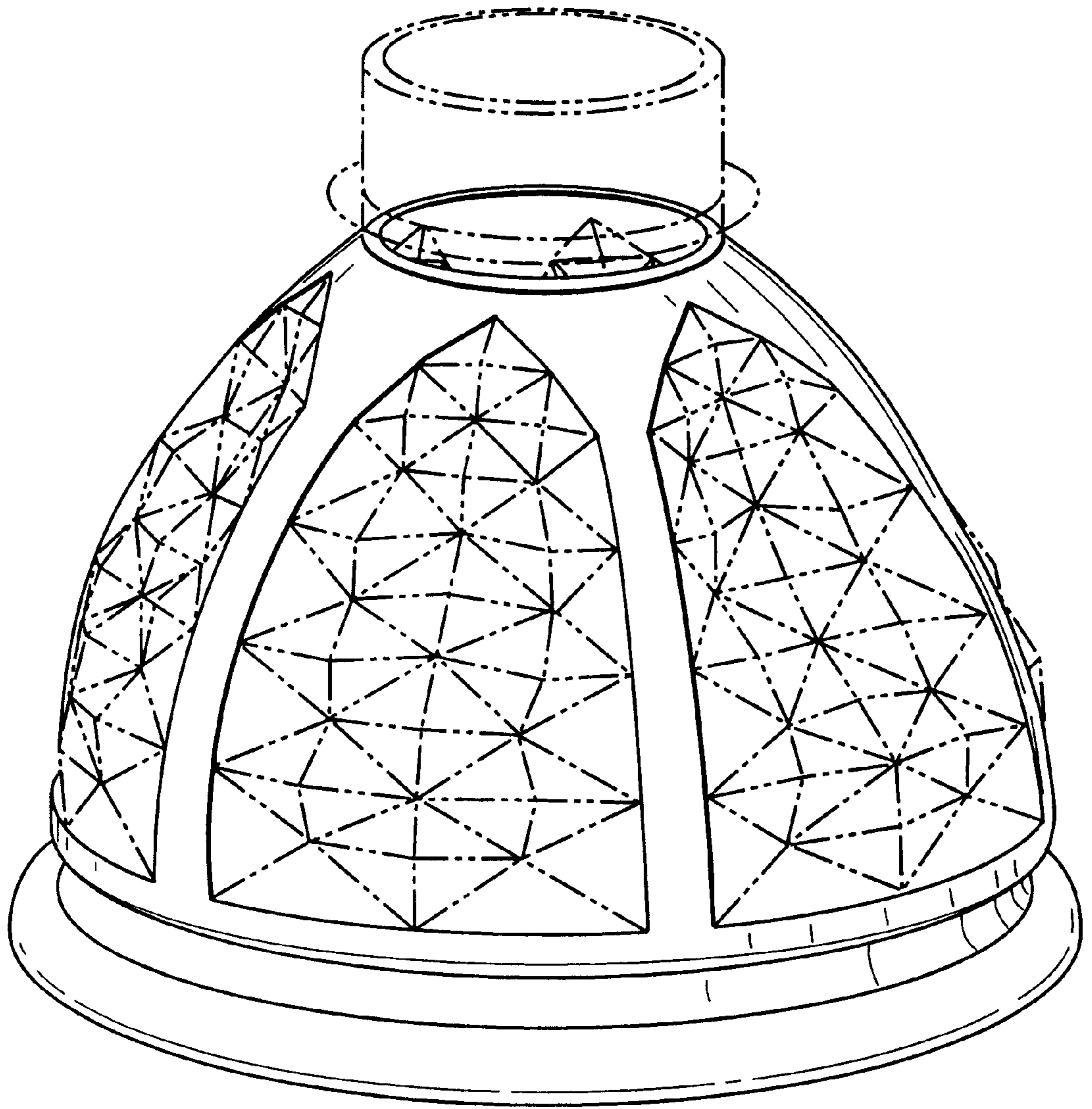


FIG. 1

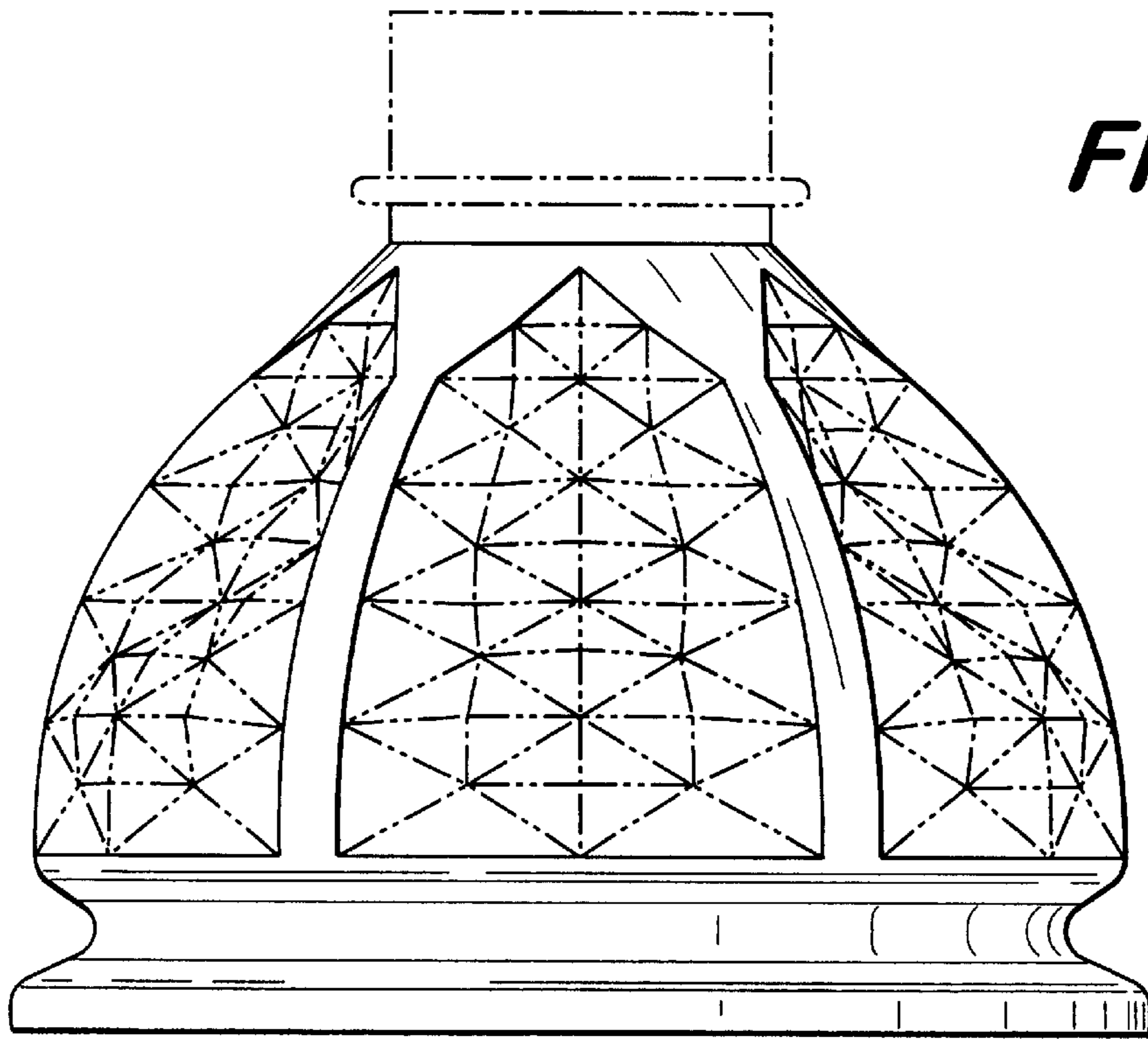


FIG. 2

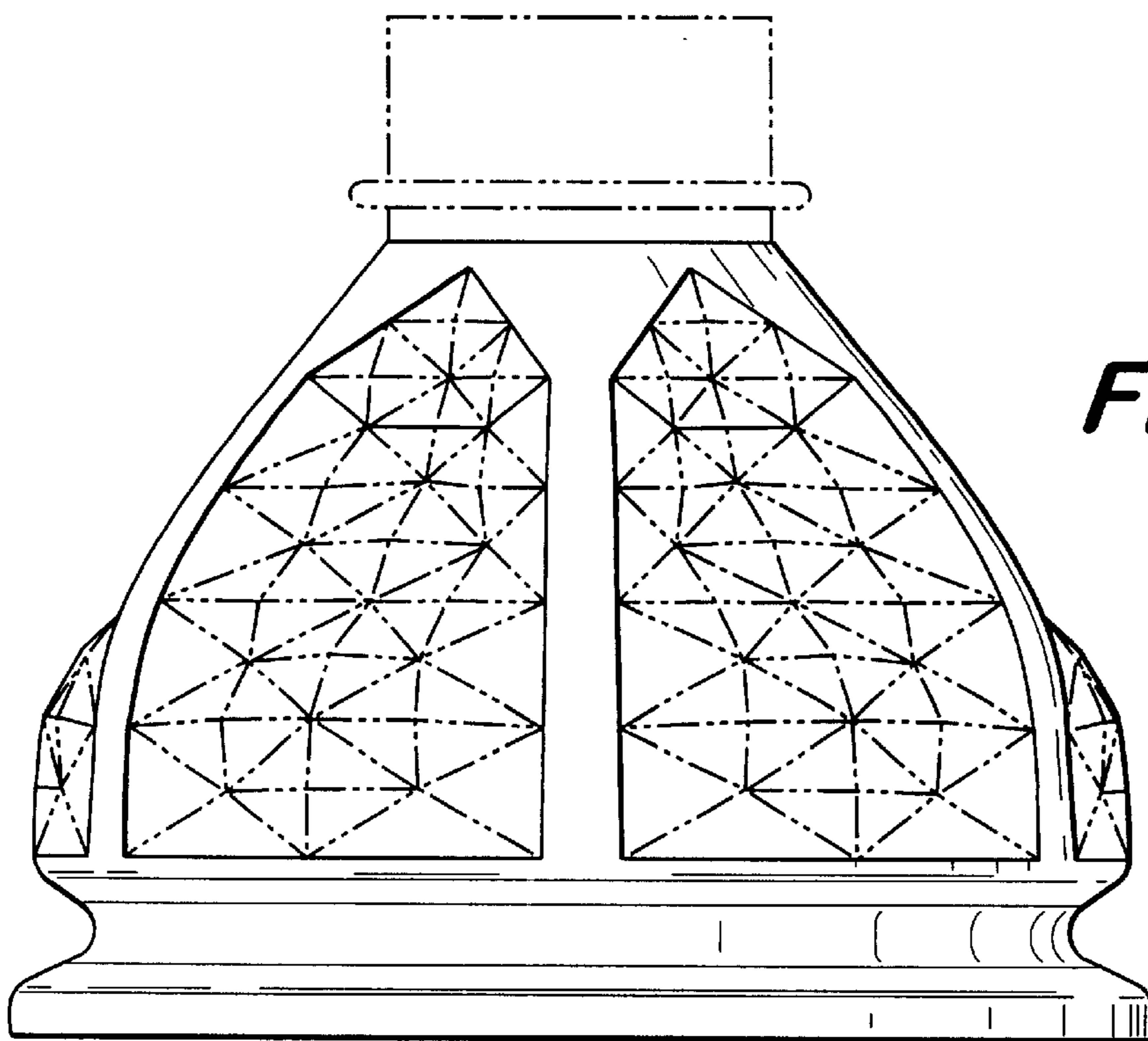


FIG. 3

FIG. 4

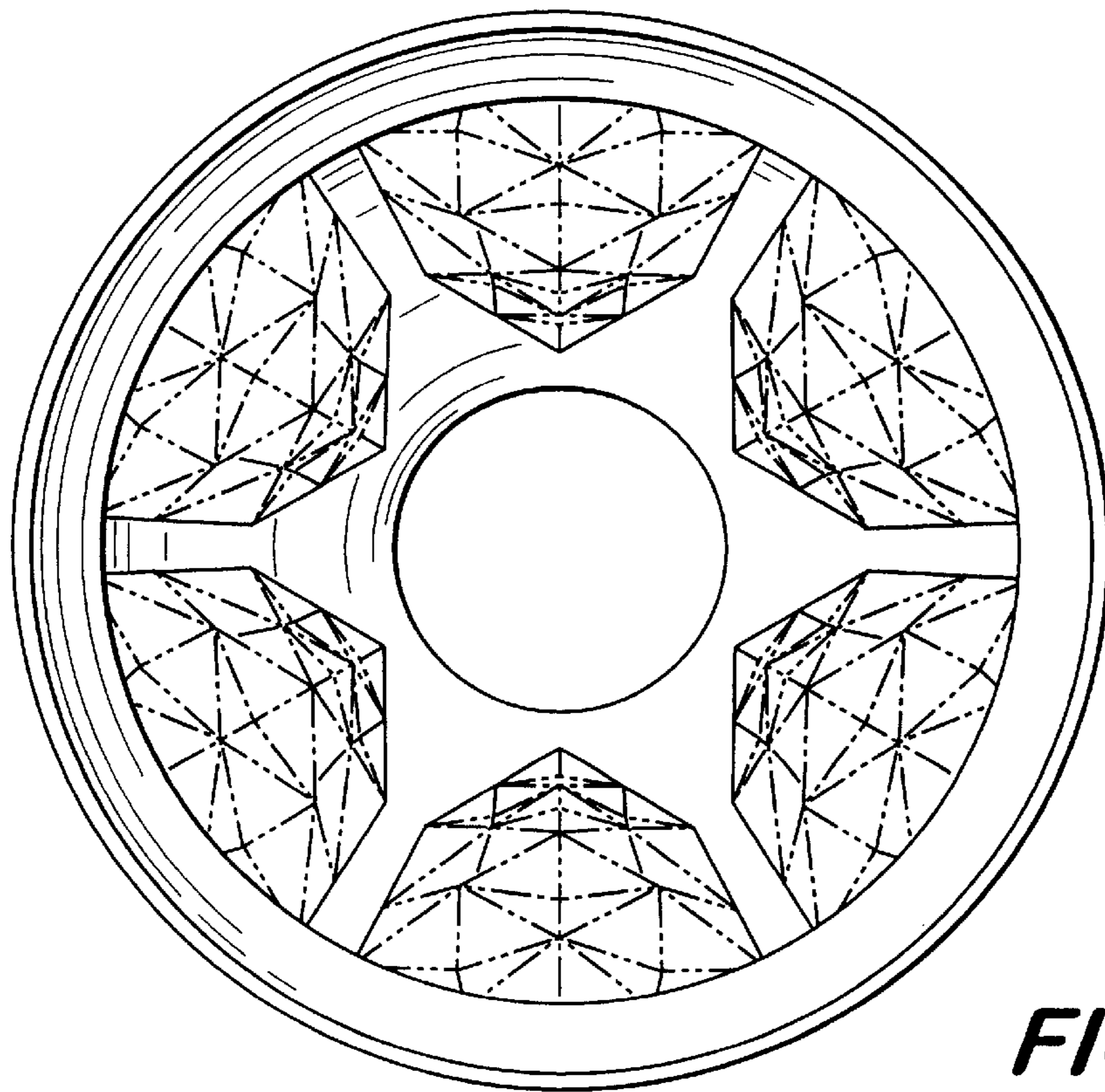
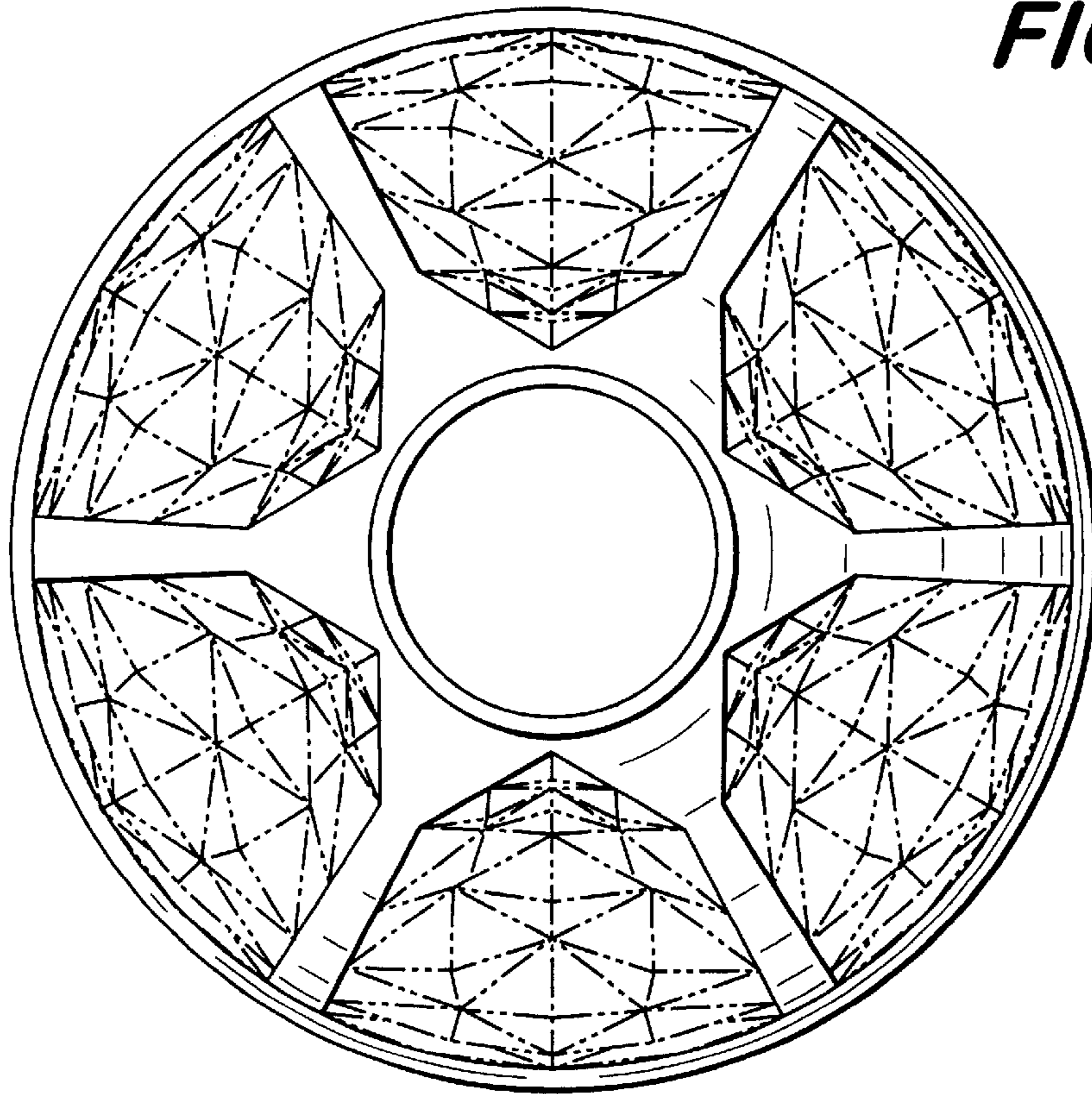


FIG. 5